



US00D527546S

(12) **United States Design Patent**
Mohundro

(10) **Patent No.:** **US D527,546 S**

(45) **Date of Patent:** **** Sep. 5, 2006**

(54) **DRESSER**

(76) **Inventor:** **James Glenn Mohundro**, 3F-4 No.
161, Kung-I Road, Taichung City (TW)

(**) **Term:** **14 Years**

(21) **Appl. No.:** **29/235,290**

(22) **Filed:** **Aug. 1, 2005**

(51) **LOC (8) Cl.** **06-04**

(52) **U.S. Cl.** **D6/446**

(58) **Field of Classification Search** D6/434,
D6/436-447; 312/114, 204, 224, 227
See application file for complete search history.

(56) **References Cited**

U.S. PATENT DOCUMENTS

D265,155 S	*	6/1982	Bravo	D6/438
D481,555 S	*	11/2003	Schmitt	D6/444
D503,566 S	*	4/2005	Mohundro	D6/446
D505,569 S	*	5/2005	Mohundro	D6/446
D511,906 S	*	11/2005	Mohundro	D6/441

OTHER PUBLICATIONS

Broyhill's Charlestowne Square dresser, Furniture Today, p. 254, Oct. 13, 2003.*

* cited by examiner

Primary Examiner—Cathron C. Brooks

(57) **CLAIM**

The ornamental design for a dresser, as shown and described.

DESCRIPTION

FIG. 1 is a perspective view of a dresser, showing my new design;

FIG. 2 is a front elevational view thereof;

FIG. 3 is a rear elevational view thereof;

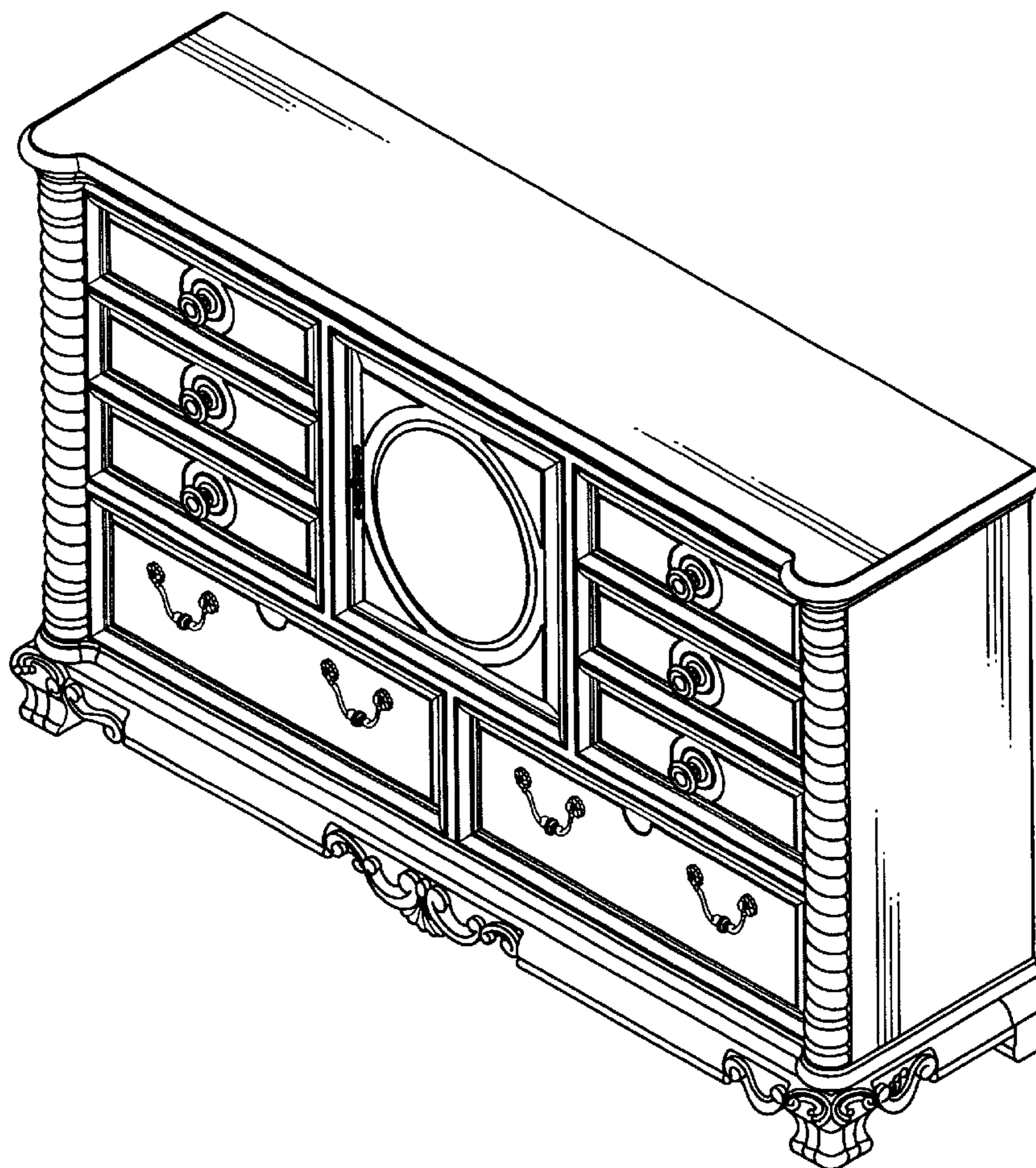
FIG. 4 is a left elevational view thereof;

FIG. 5 is a right elevational view thereof;

FIG. 6 is a top plan view thereof; and,

FIG. 7 is a bottom plan view thereof.

1 Claim, 5 Drawing Sheets



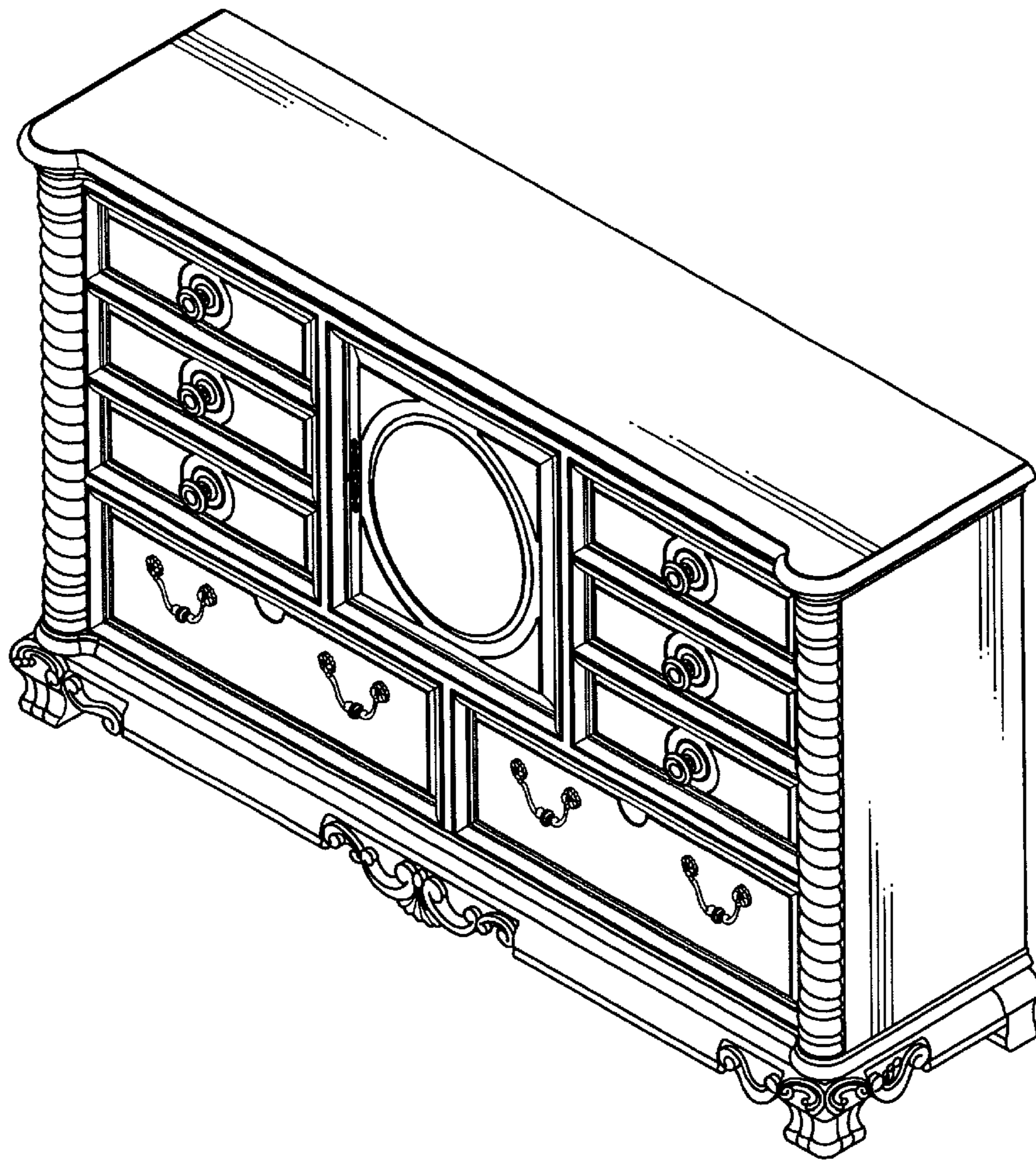


FIG. 1

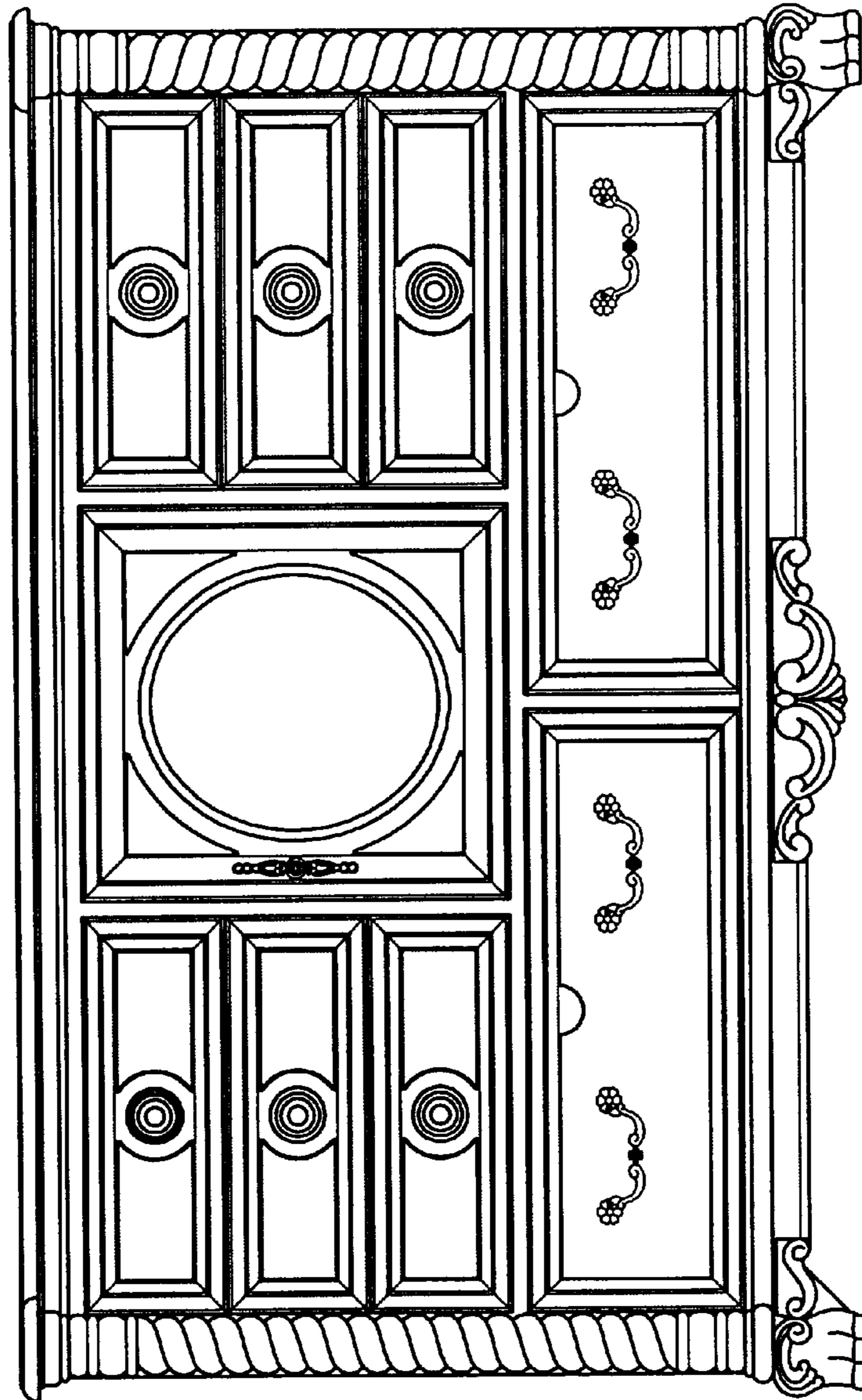


FIG. 2

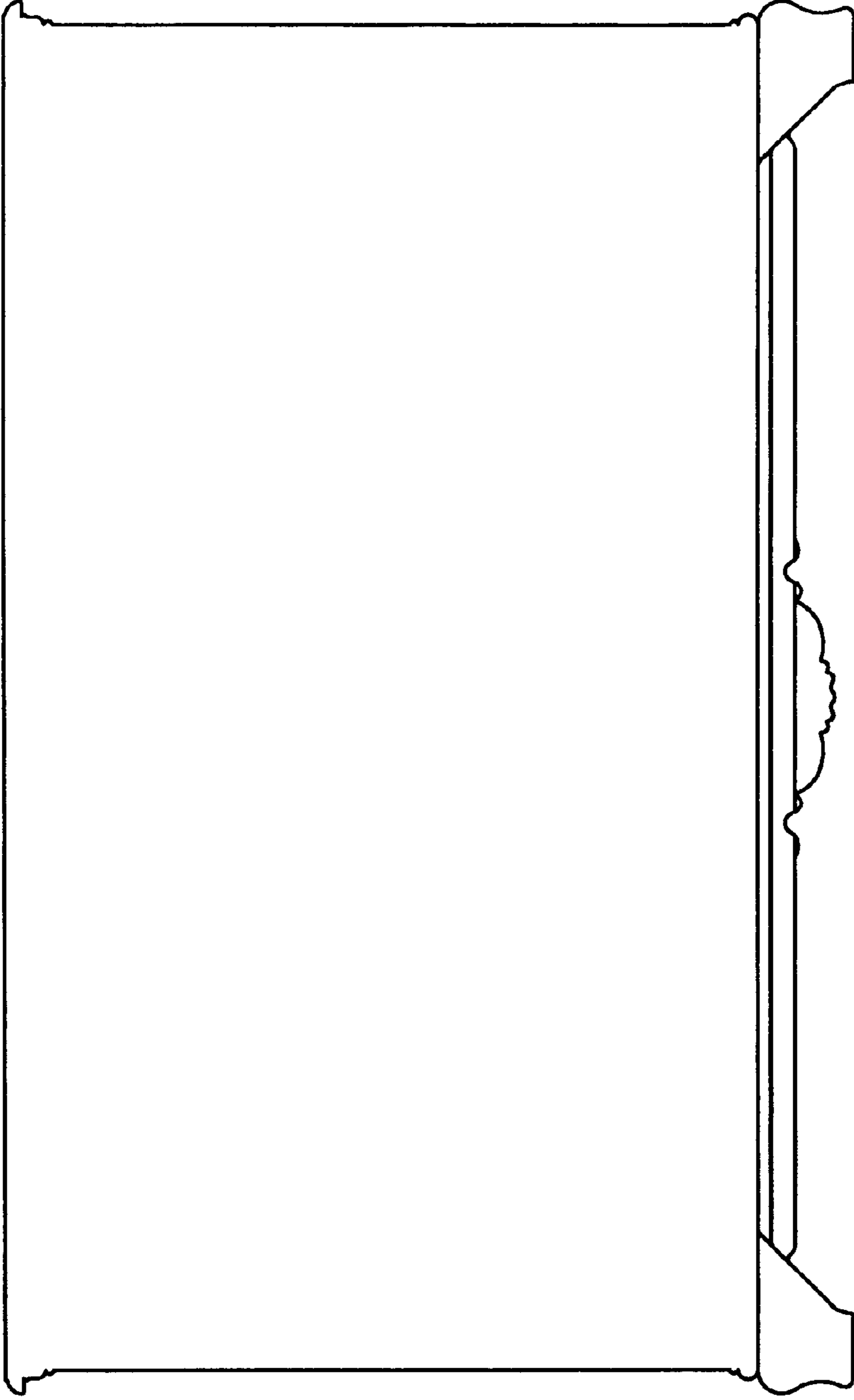


FIG.3

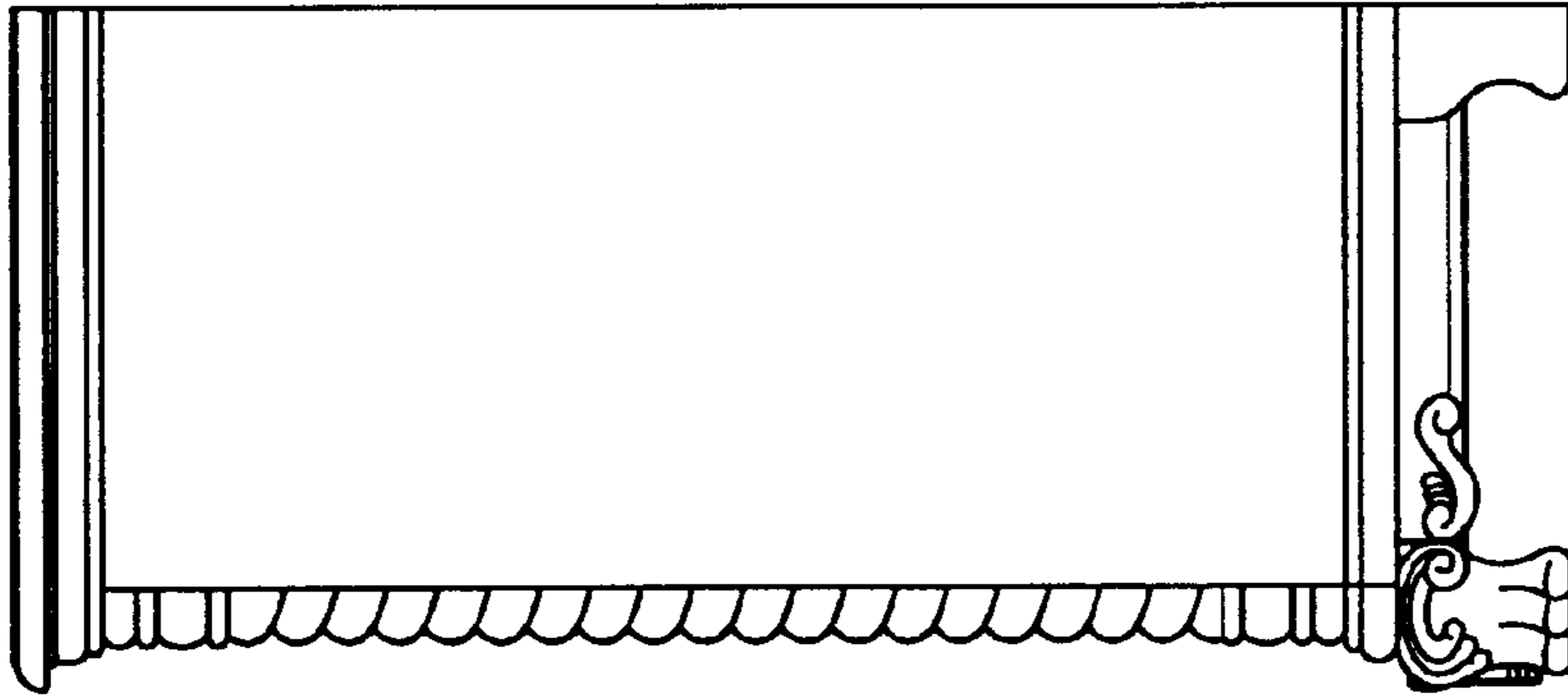


FIG.5

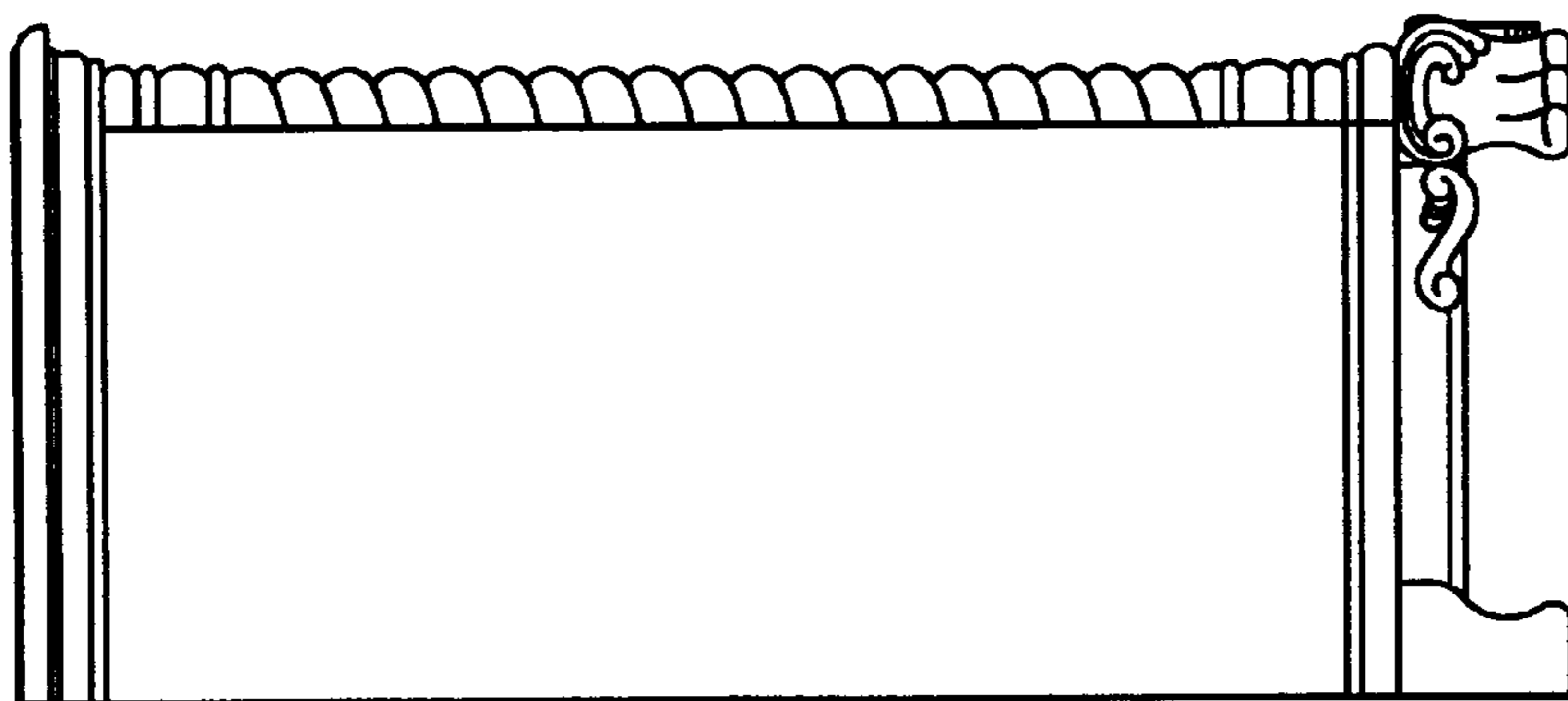


FIG.4

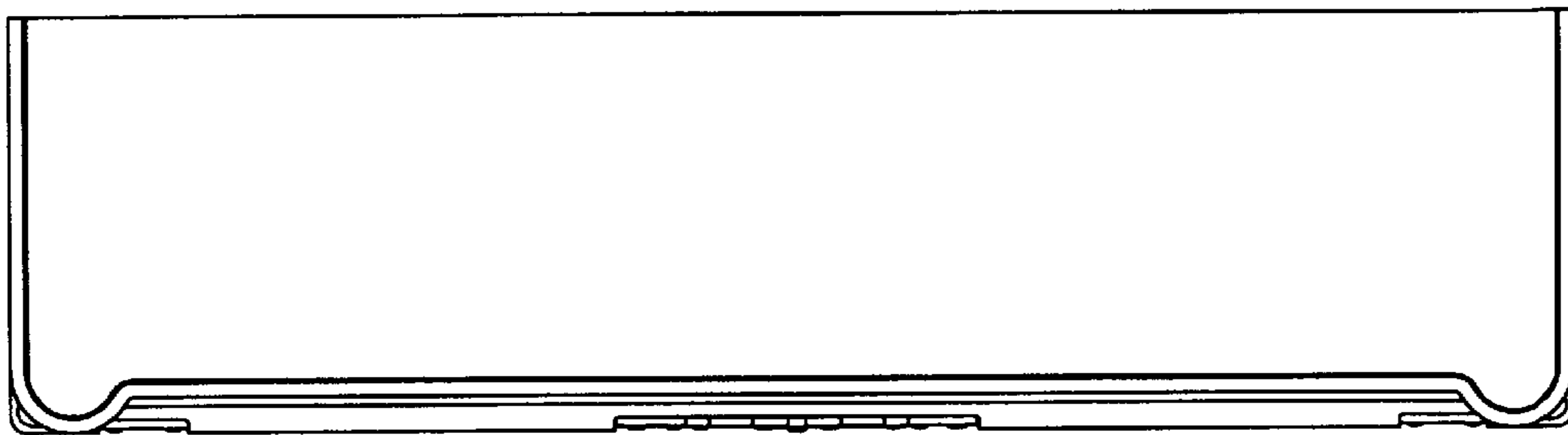


FIG. 6

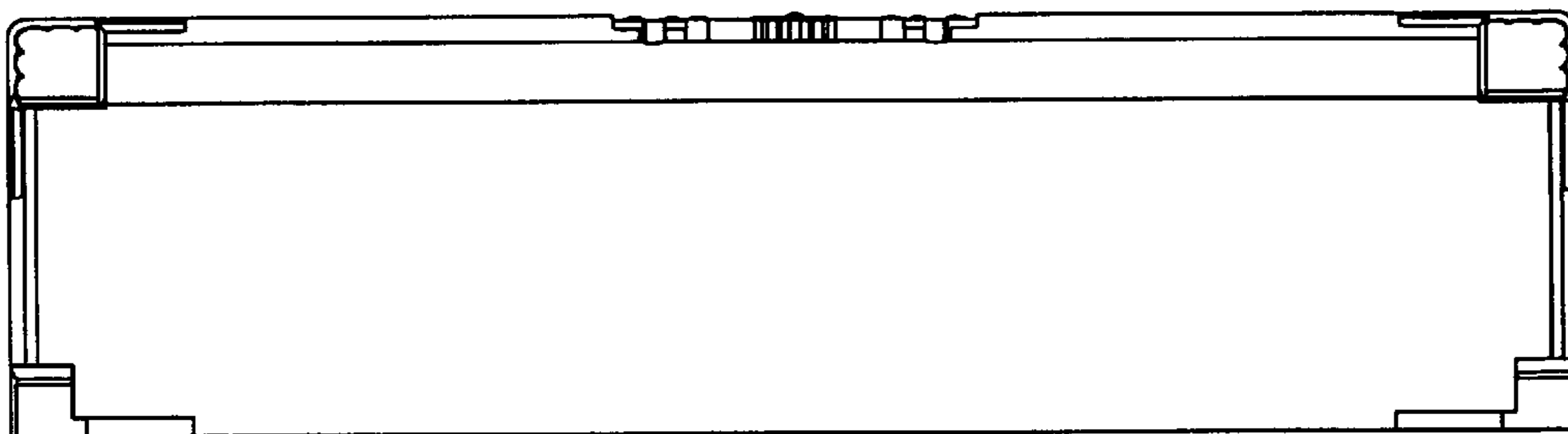


FIG. 7