



US00D527545S

(12) **United States Design Patent**
Peterson et al.

(10) **Patent No.:** **US D527,545 S**

(45) **Date of Patent:** **** Sep. 5, 2006**

(54) **BED**

(75) Inventors: **Dale Peterson**, New York, NY (US);
Jonsara Ruth, Brooklyn, NY (US);
Stacy Mar, New York, NY (US)

(73) Assignee: **Martha Stewart Living Omnimedia, Inc.**, New York, NY (US)

(**) **Term:** **14 Years**

(21) **Appl. No.:** **29/210,455**

(22) **Filed:** **Jul. 30, 2004**

(51) **LOC (8) Cl.** **06-01**

(52) **U.S. Cl.** **D6/395**

(58) **Field of Classification Search** D6/382,
D6/385, 388–395, 505–508; 5/53.1, 907,
5/279.1, 280, 281, 2.1, 308

See application file for complete search history.

(56) **References Cited**

U.S. PATENT DOCUMENTS

D24,711 S	*	9/1895	Wiessner	D6/395
D26,449 S	*	12/1896	Merritt	D6/395
D26,855 S	*	3/1897	Foster	D6/395
D29,188 S	*	8/1898	Weissner	D6/508
D35,528 S	*	12/1901	Barcalo	D6/395
D369,255 S	*	4/1996	Laslo	D6/495

OTHER PUBLICATIONS

Oct. 6, 2005 Website printout (one page)—www.burlington-bedrooms.com/pix/waldorf.agedbrass.lg.jpg.

Oct. 6, 2005 Website printout (one page)—www.bonbon.co.uk/cantori/dbeds/inglese.htm.

Oct. 6, 2005 Website printout (one page)—www.sw-antiques.co.uk/BI007_antique_Victorian_brass_bed.jpg.

Oct. 6, 2005 Website printout (one page)—www.called-s.com/Pics_jbay_antiques/quesnel%20antiques%20032.jpg.

French Furniture & Household Catalog Album General Ameublement Parisien, 1889–1890, pp. 241 and 244.

Pottery Barn Christmas 2002 Catalog, p. 126.

Photos from Pottery Barn Catalog, date unknown, pp. 68, 116, and pages unknown.

Pottery Barn Christmas 2002 Catalog, p. 31.

Photos from Pottery Barn Catalog, date unknown, p. 61.

Linen Source Catalog, date unknown, p. 15 and an index.

Sundance Catalog, date unknown, pp. 35 and 41.

* cited by examiner

Primary Examiner—Janice Seeger

(74) *Attorney, Agent, or Firm*—Kenyon & Kenyon LLP

(57) **CLAIM**

The ornamental design for a bed, as shown and described.

DESCRIPTION

FIG. 1 is a perspective view of an embodiment of a bed showing my new design;

FIG. 2 is a right side view thereof, the left side view being a mirror image thereof;

FIG. 3 is a front view thereof;

FIG. 4 is a top view thereof;

FIG. 5 is an enlarged view of the leg thereof;

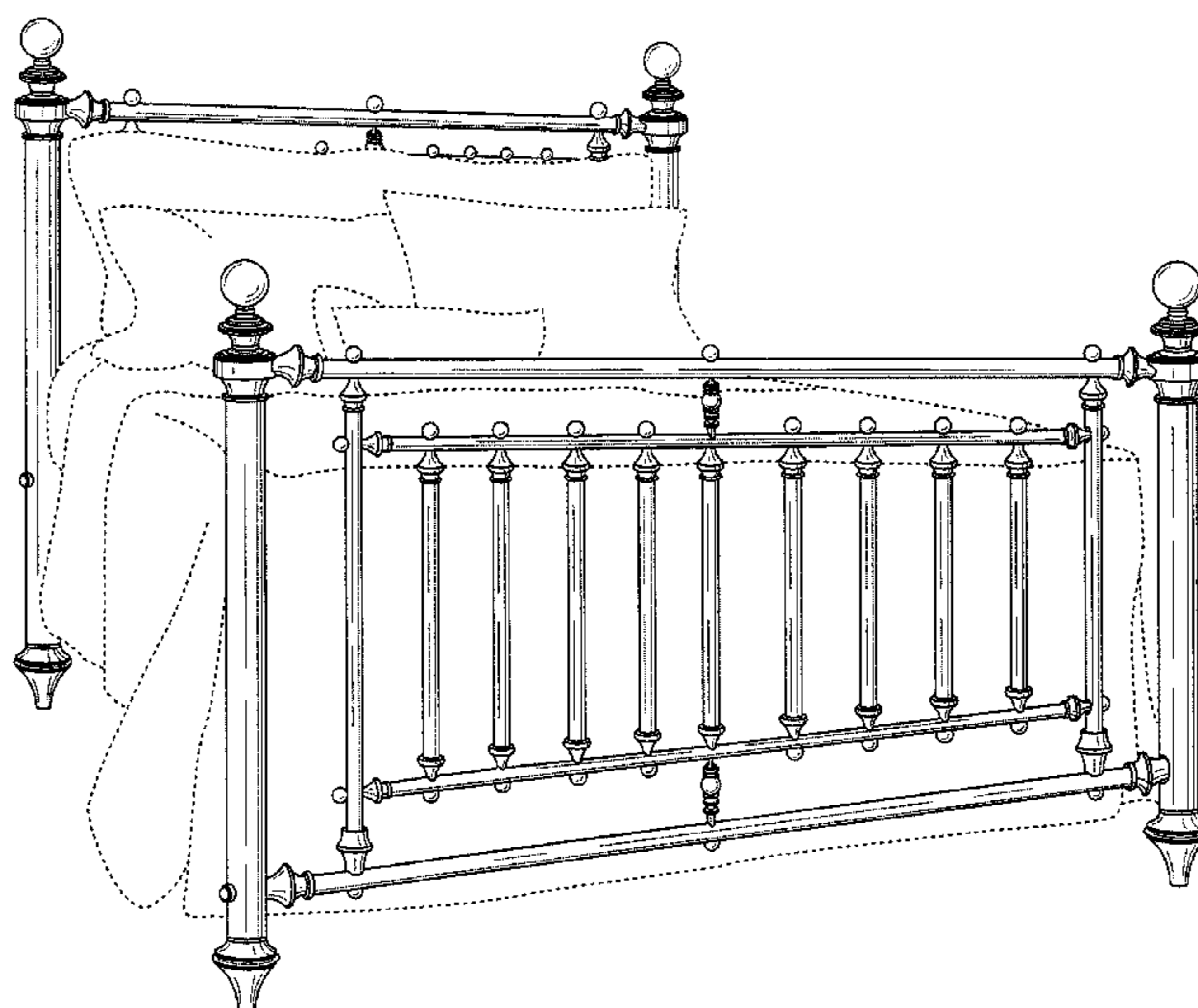
FIG. 6 is a right side elevational view of a second embodiment of a bed showing my new design, the side being shown broken away to indicate indeterminate length, the left side elevational view being a mirror image thereof;

FIG. 7 is a front elevational view of FIG. 6, the footboard and headboard shown broken away to indicate indeterminate width; and,

FIG. 8 is an enlarged view of a center post of the bed of FIGS. 1 and 3.

FIGS. 1 to 5 illustrate the bed of my design in the proportions of a King size bed. FIGS. 6 and 7 show that the width and/or the length of the bed of my design is indeterminate. The single broken line portions are for illustrative purposes only and form no part of the claimed design.

1 Claim, 8 Drawing Sheets



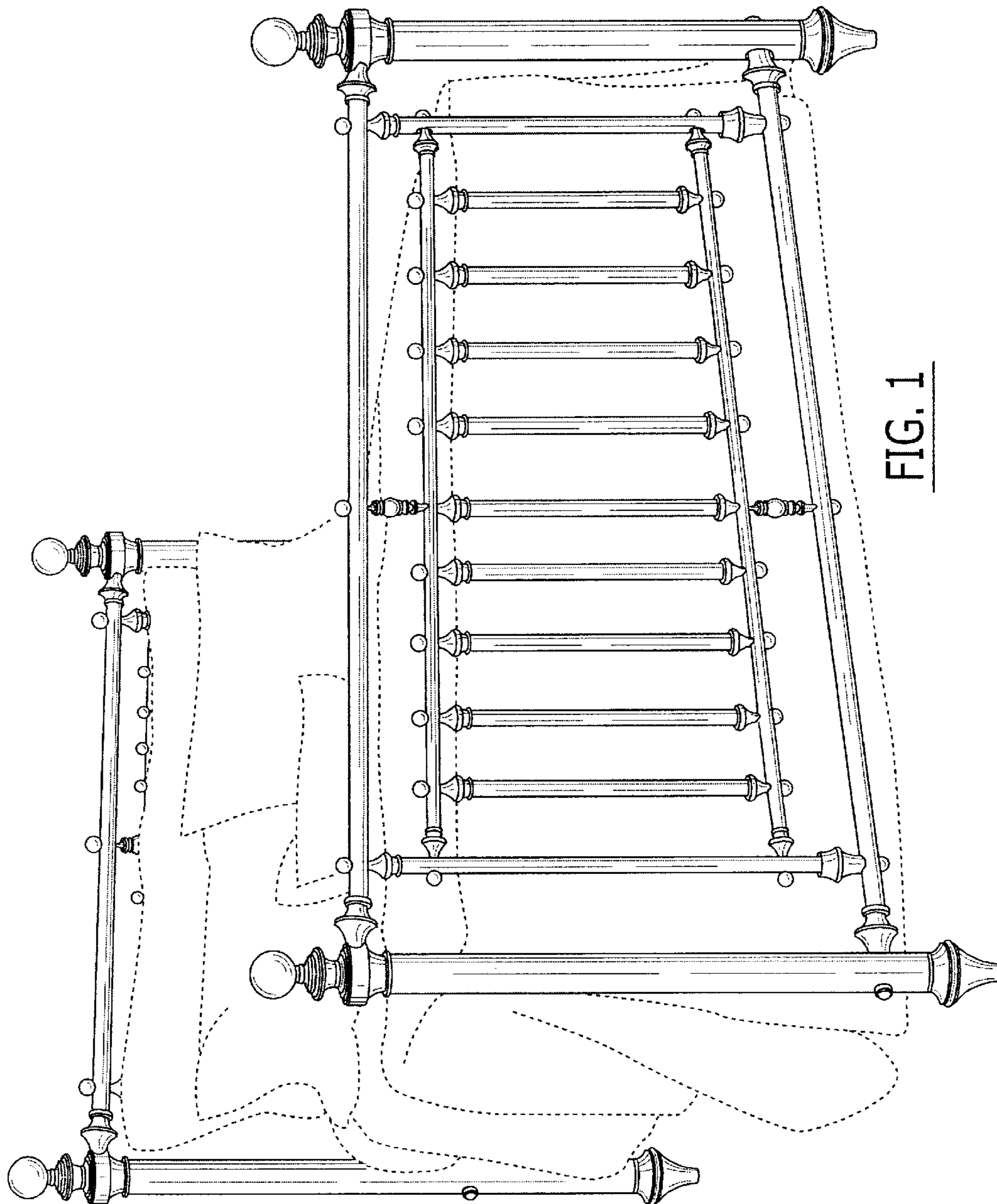


FIG. 1



FIG. 2

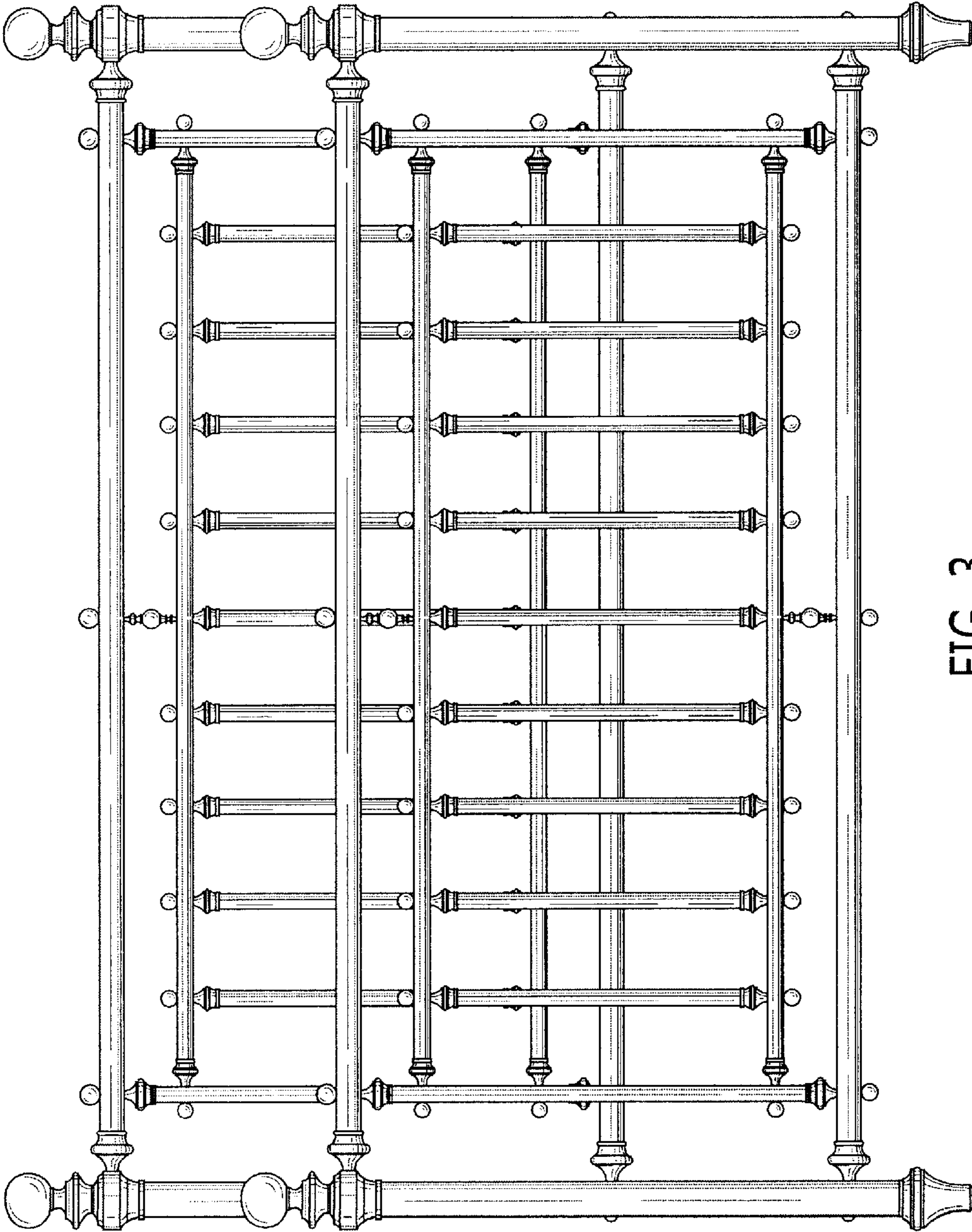


FIG. 3

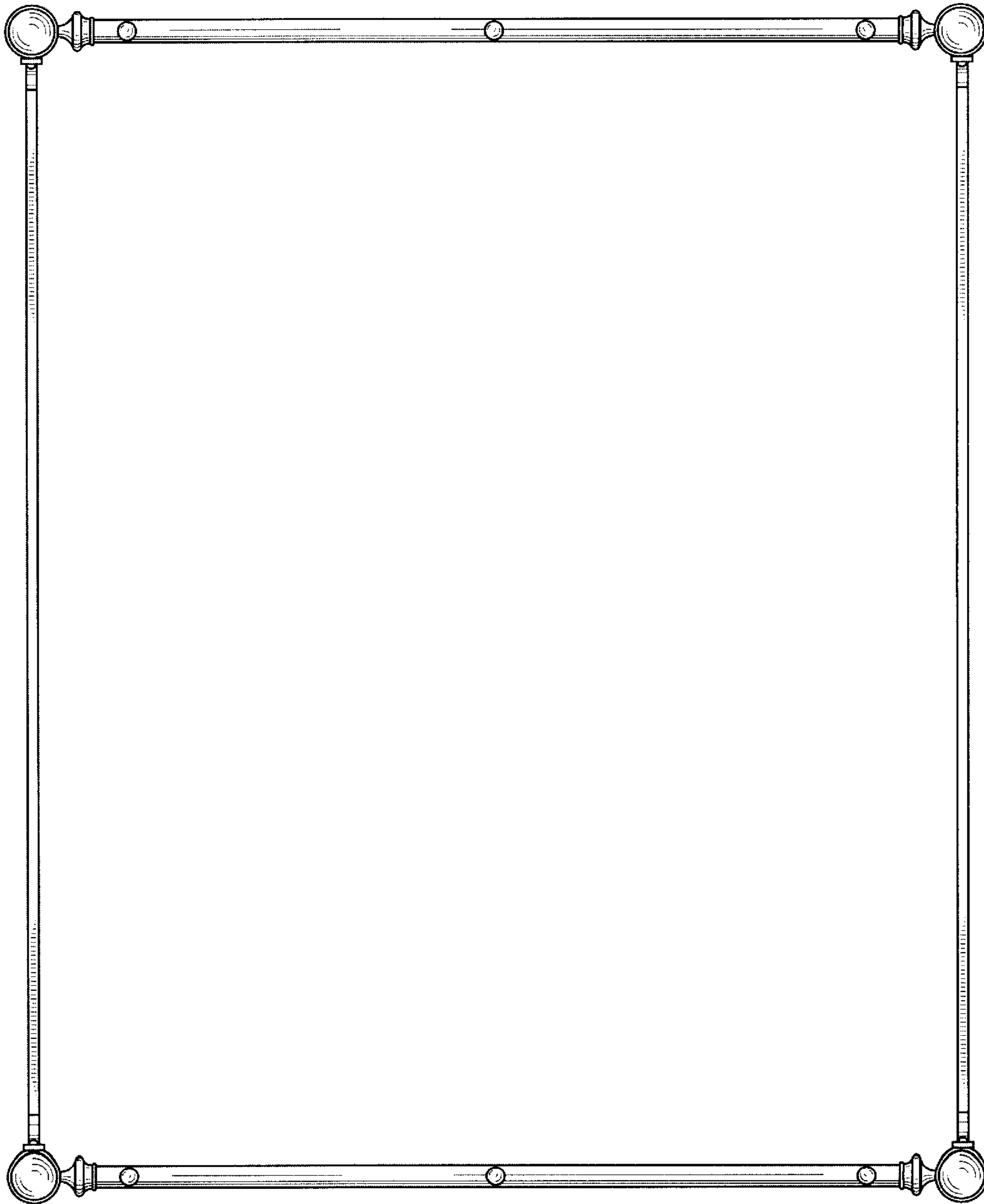


FIG. 4

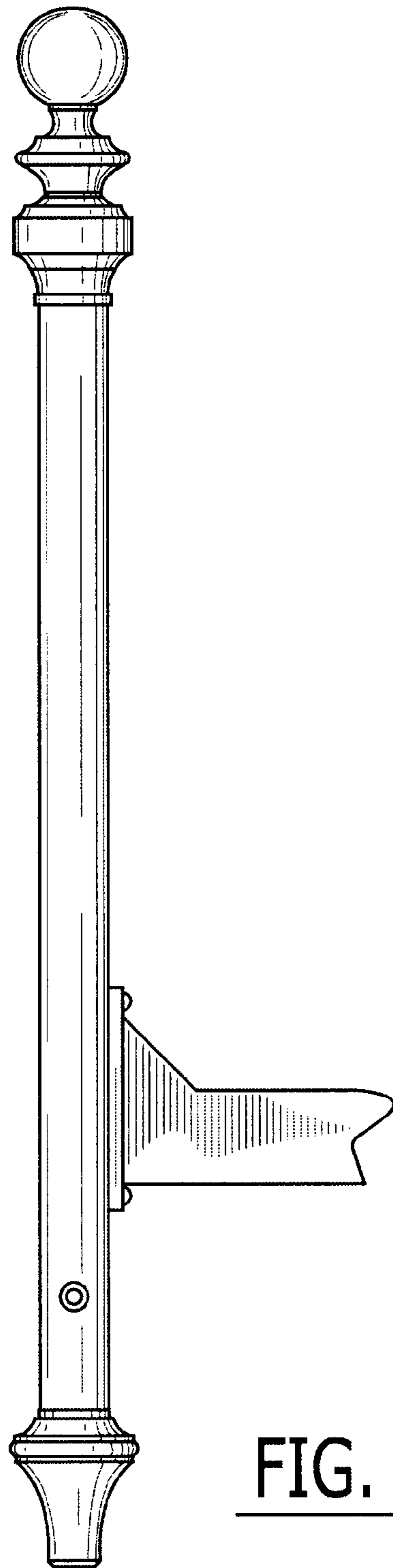


FIG. 5

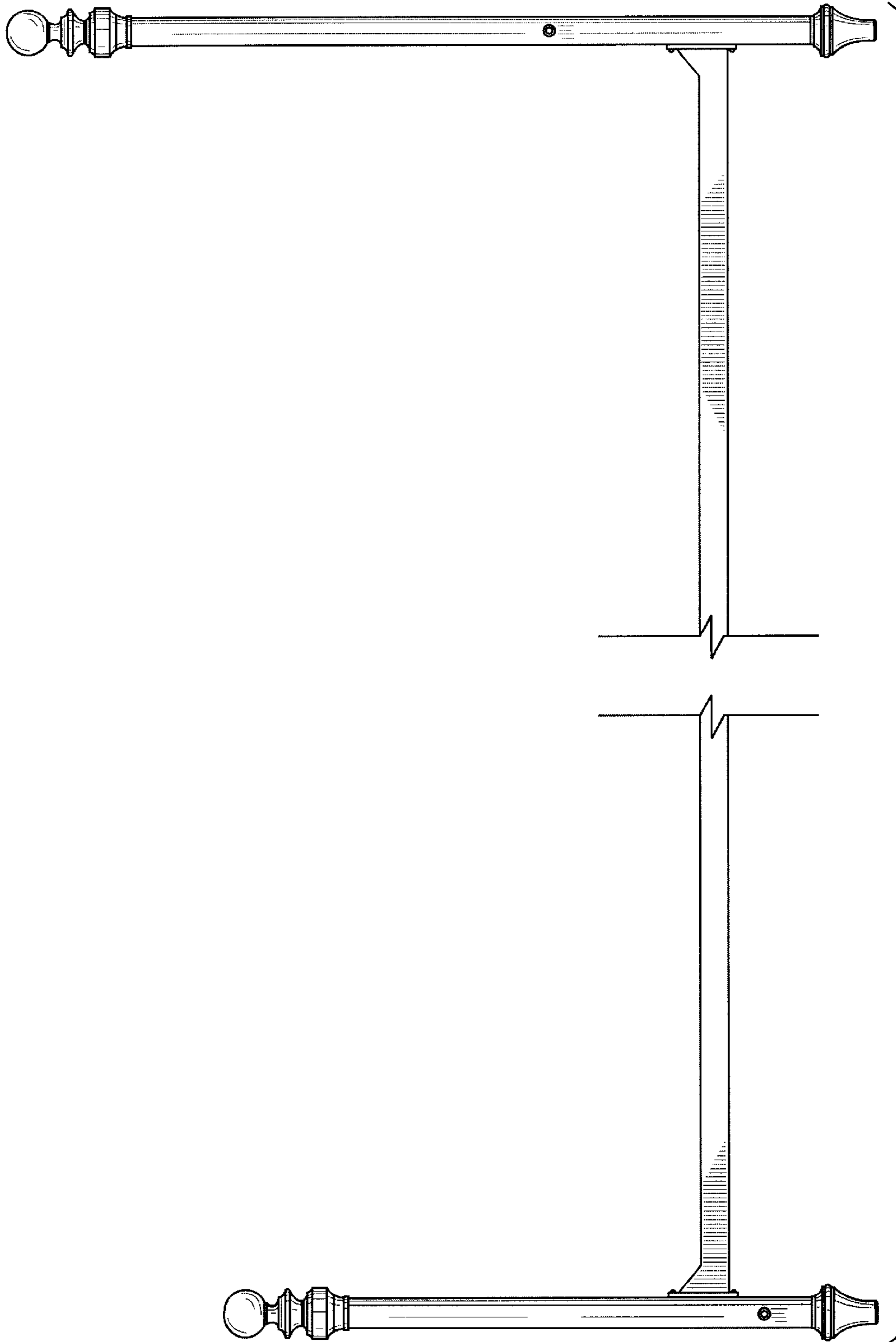


FIG. 6

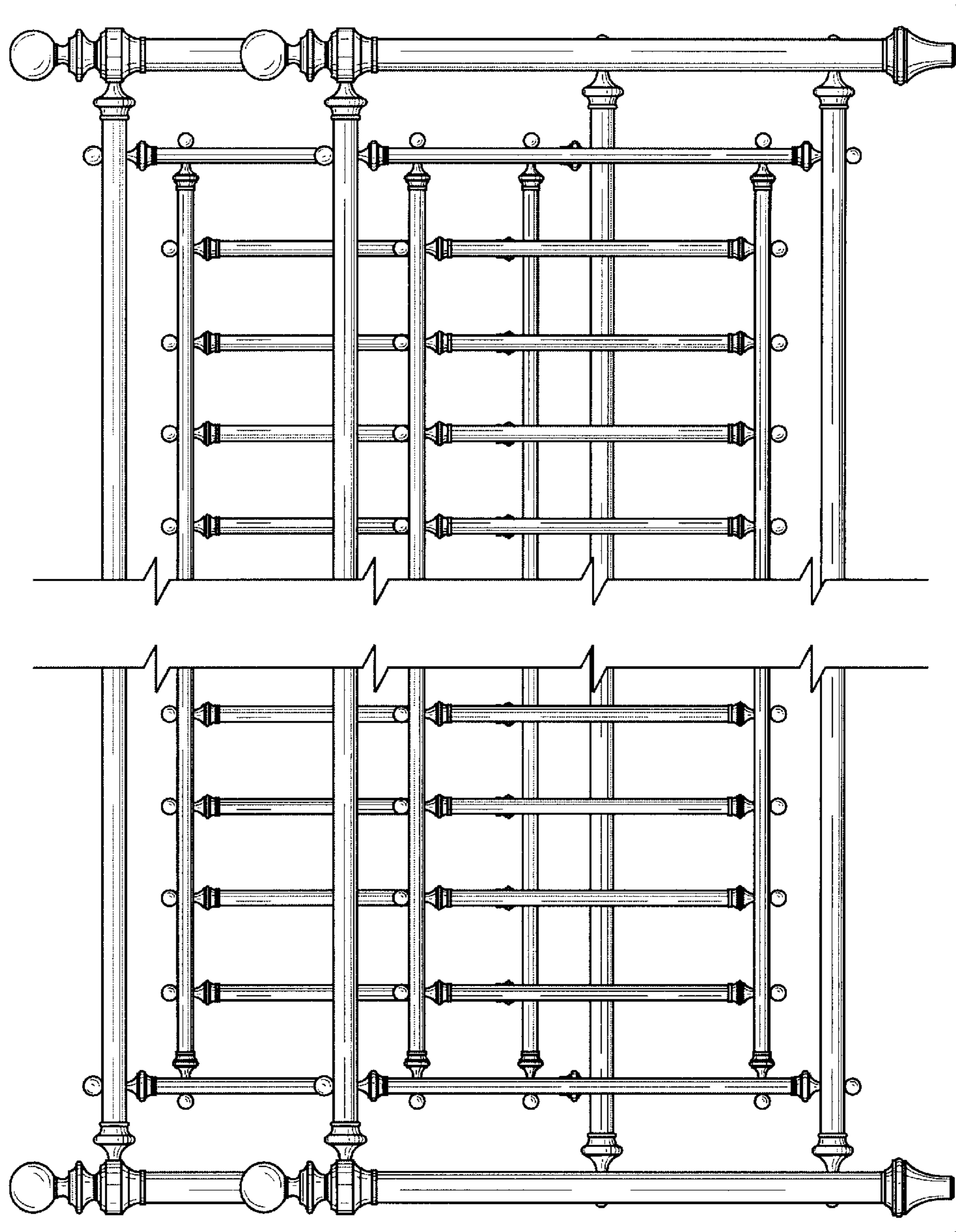


FIG. 7

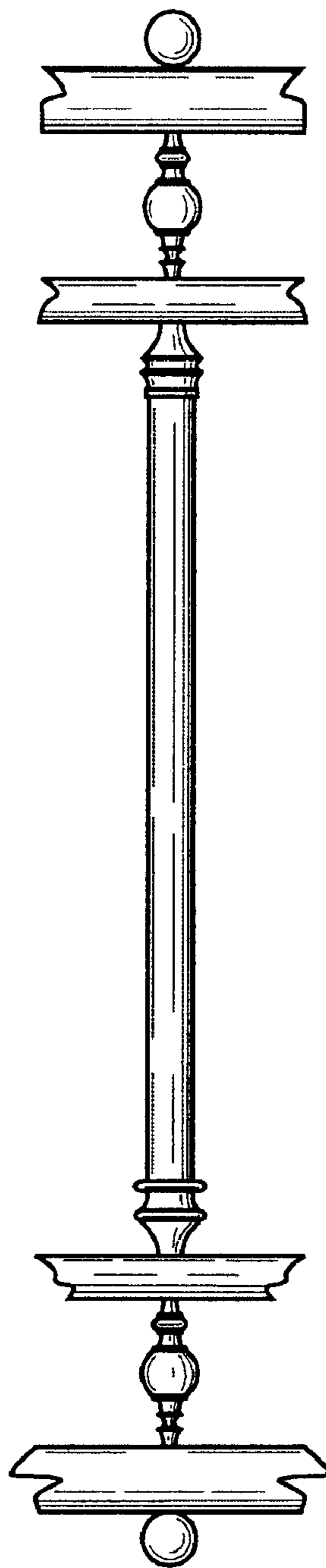


FIG. 8