



US00D527544S

(12) **United States Design Patent**
Hertenstein

(10) **Patent No.:** **US D527,544 S**

(45) **Date of Patent:** **** Sep. 5, 2006**

(54) **TOY TRACTOR BED**

5,535,830 A * 7/1996 Matsushita et al. 172/7
D424,130 S * 5/2000 Wei D21/537

(76) Inventor: **Dennis W. Hertenstein**, 507 Duque Rd., Lutz, FL (US) 33549

* cited by examiner

(**) Term: **14 Years**

Primary Examiner—Janice E. Seeger
(74) *Attorney, Agent, or Firm*—Larson & Larson, PA; Herbert W. Larson

(21) Appl. No.: **29/218,476**

(22) Filed: **Dec. 1, 2004**

(57) **CLAIM**

(51) **LOC (8) Cl.** **06-01**

The ornamental design for a toy tractor bed, as shown and described.

(52) **U.S. Cl.** **D6/388**

(58) **Field of Classification Search** D6/382,
D6/388, 506; D21/537, 539; D15/23–25;
446/434; 5/907; 172/4.5

DESCRIPTION

See application file for complete search history.

FIG. 1 is a front elevational view of the toy tractor bed showing my novel design;
FIG. 2 is a rear elevational view thereof;
FIG. 3 is a right side view thereof;
FIG. 4 is a left side view thereof;
FIG. 5 is a top plan view thereof;
FIG. 6 is a bottom plan view thereof; and,
FIG. 7 is a perspective view of the toy tractor bed of the present invention.

(56) **References Cited**

U.S. PATENT DOCUMENTS

| | | | | | |
|------------|---|--------|------------------|-------|--------|
| D189,741 S | * | 2/1961 | Gatov | | D6/388 |
| D240,757 S | * | 7/1976 | Henderson et al. | | D15/25 |
| D251,845 S | * | 5/1979 | Joupperi et al. | | D15/24 |
| D294,893 S | * | 3/1988 | Mowery et al. | | D6/388 |
| D317,685 S | * | 6/1991 | Osborne | | D6/388 |

1 Claim, 7 Drawing Sheets

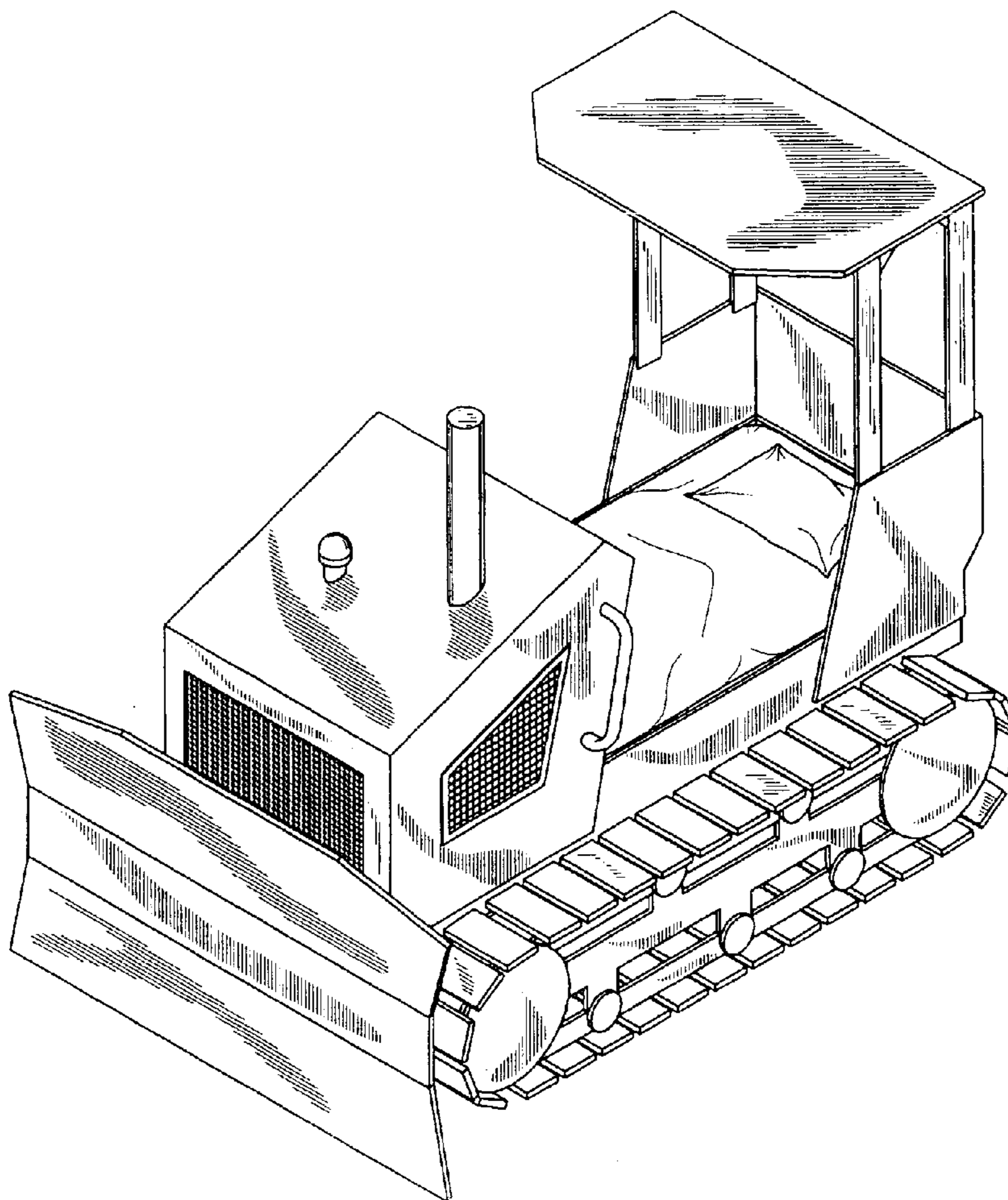


FIG. 1

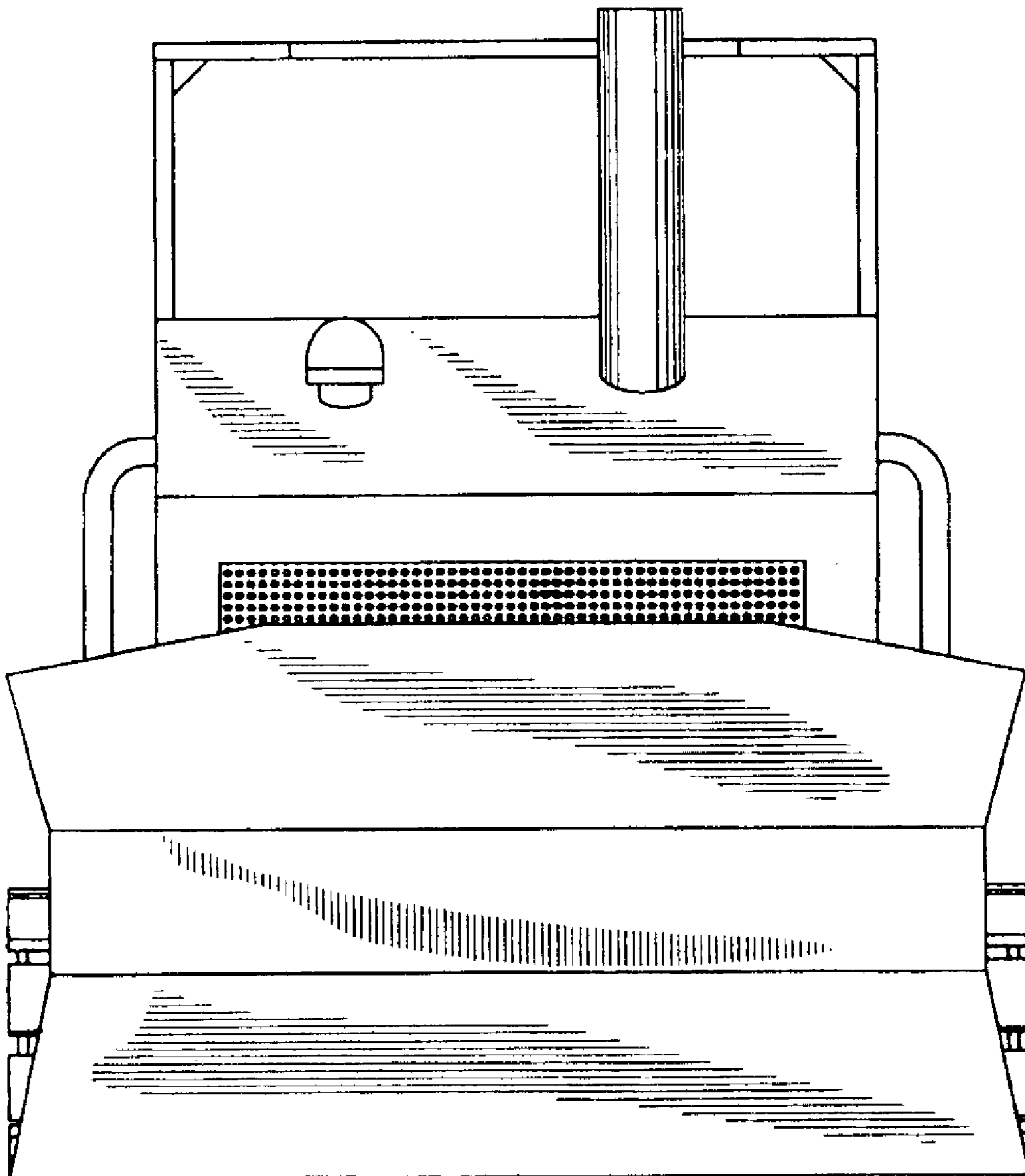


FIG. 2

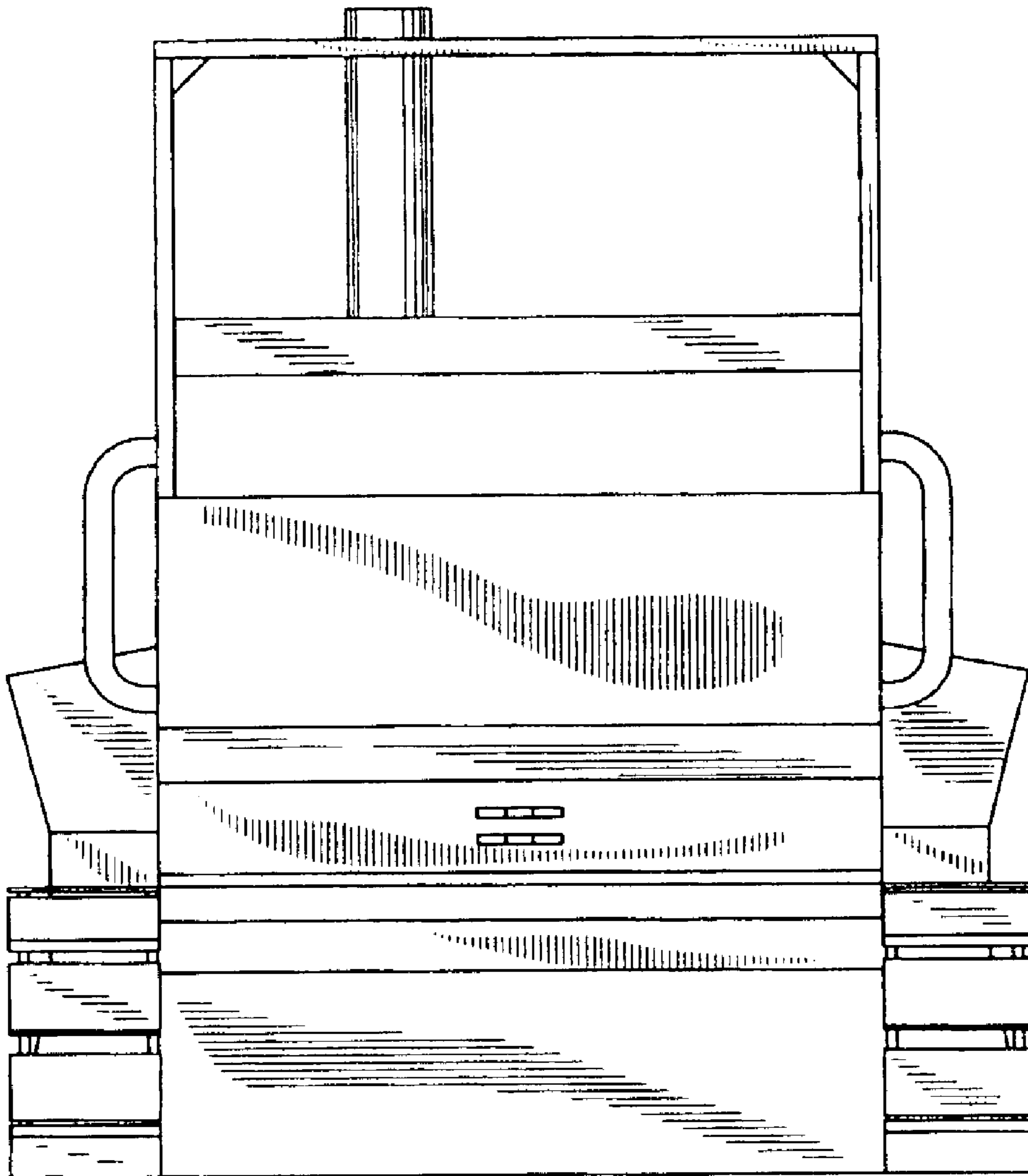


FIG. 3

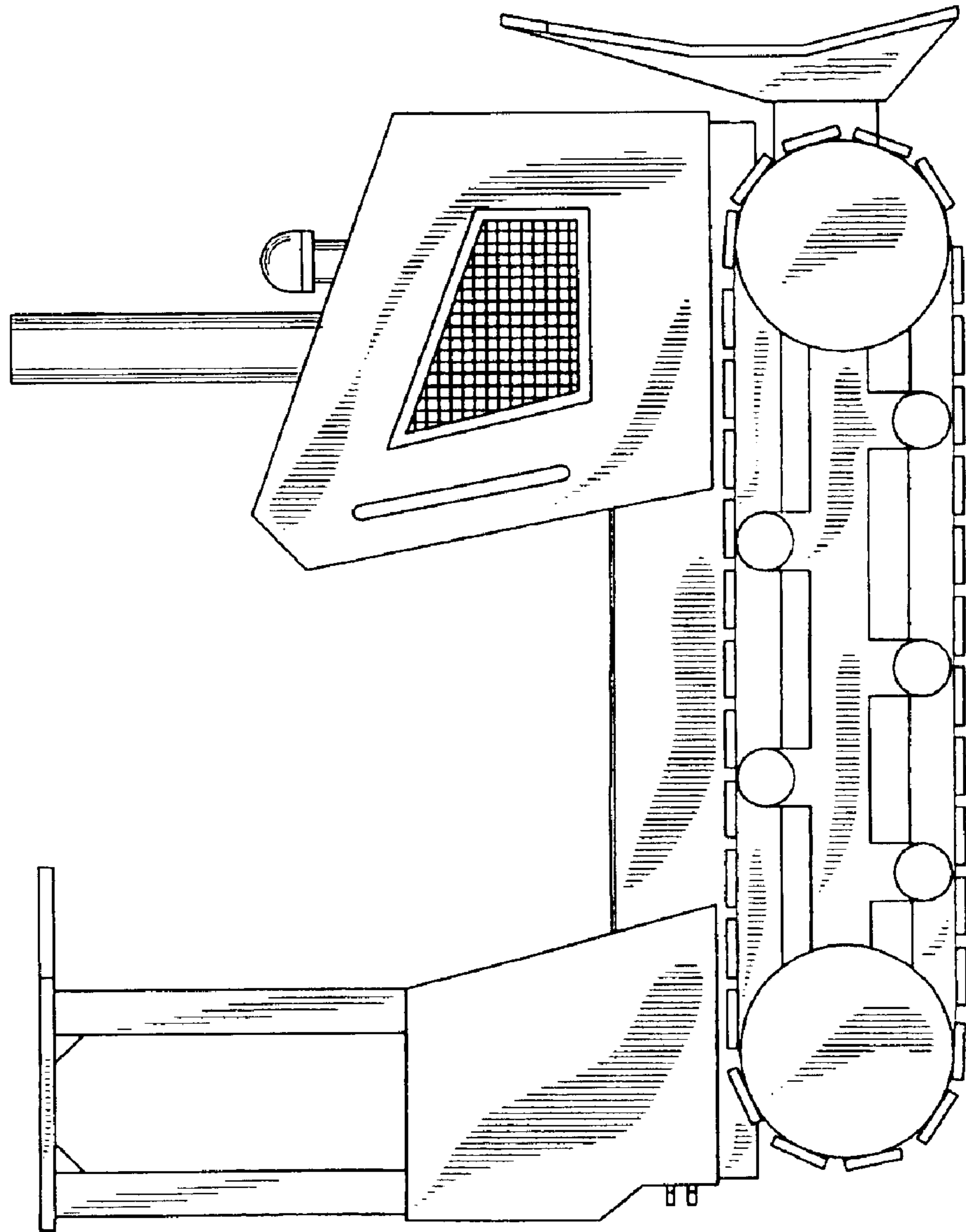


FIG. 4

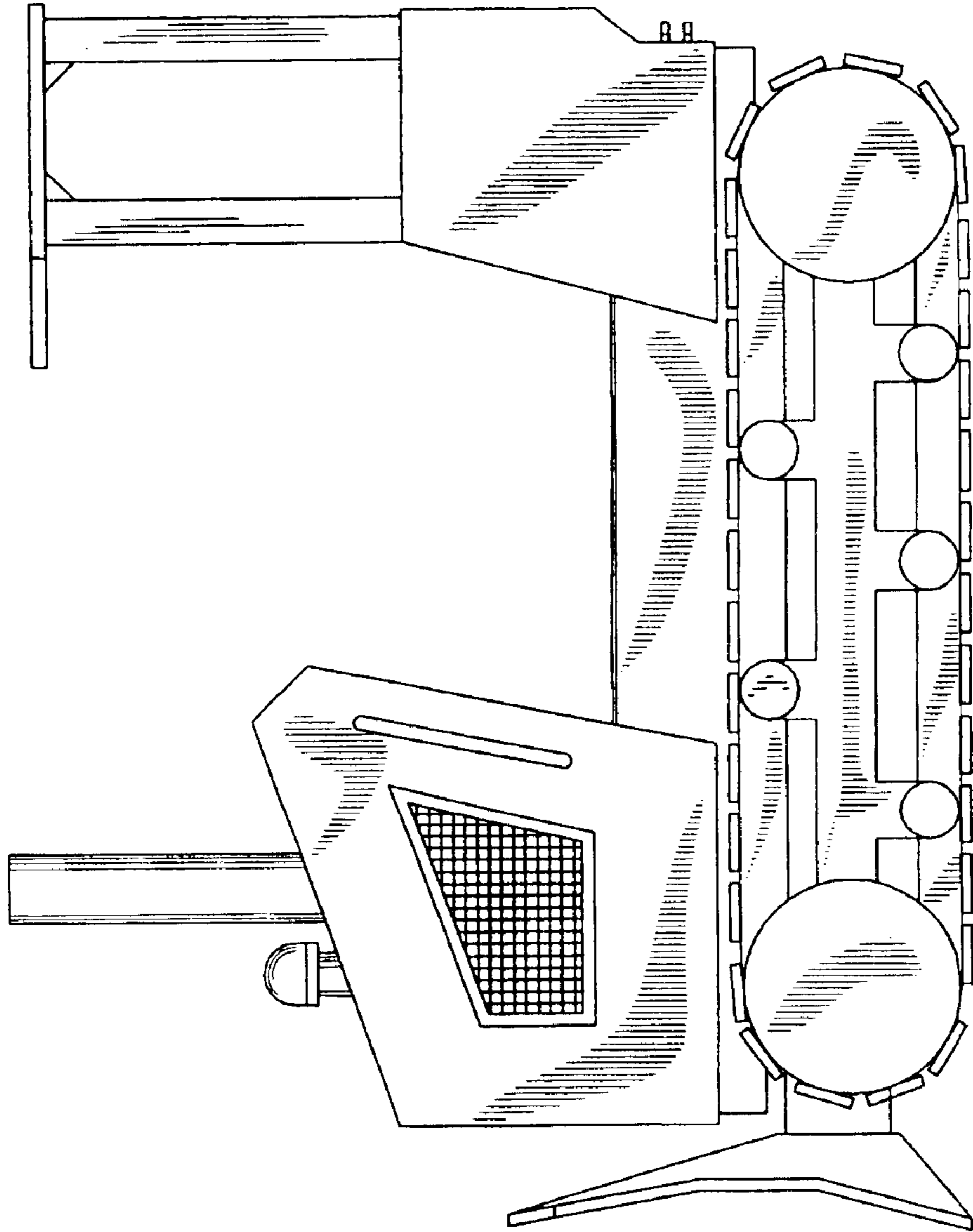


FIG. 5

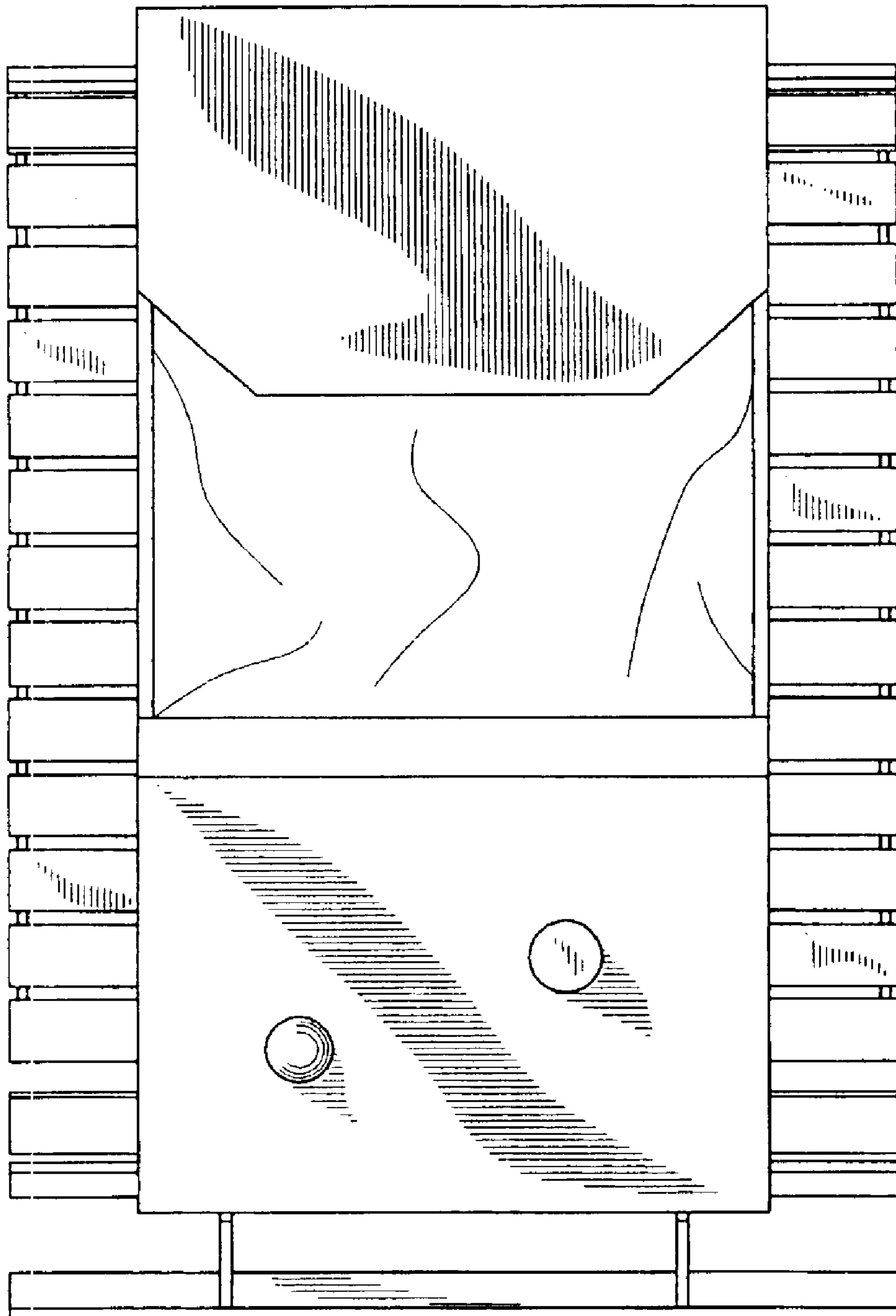
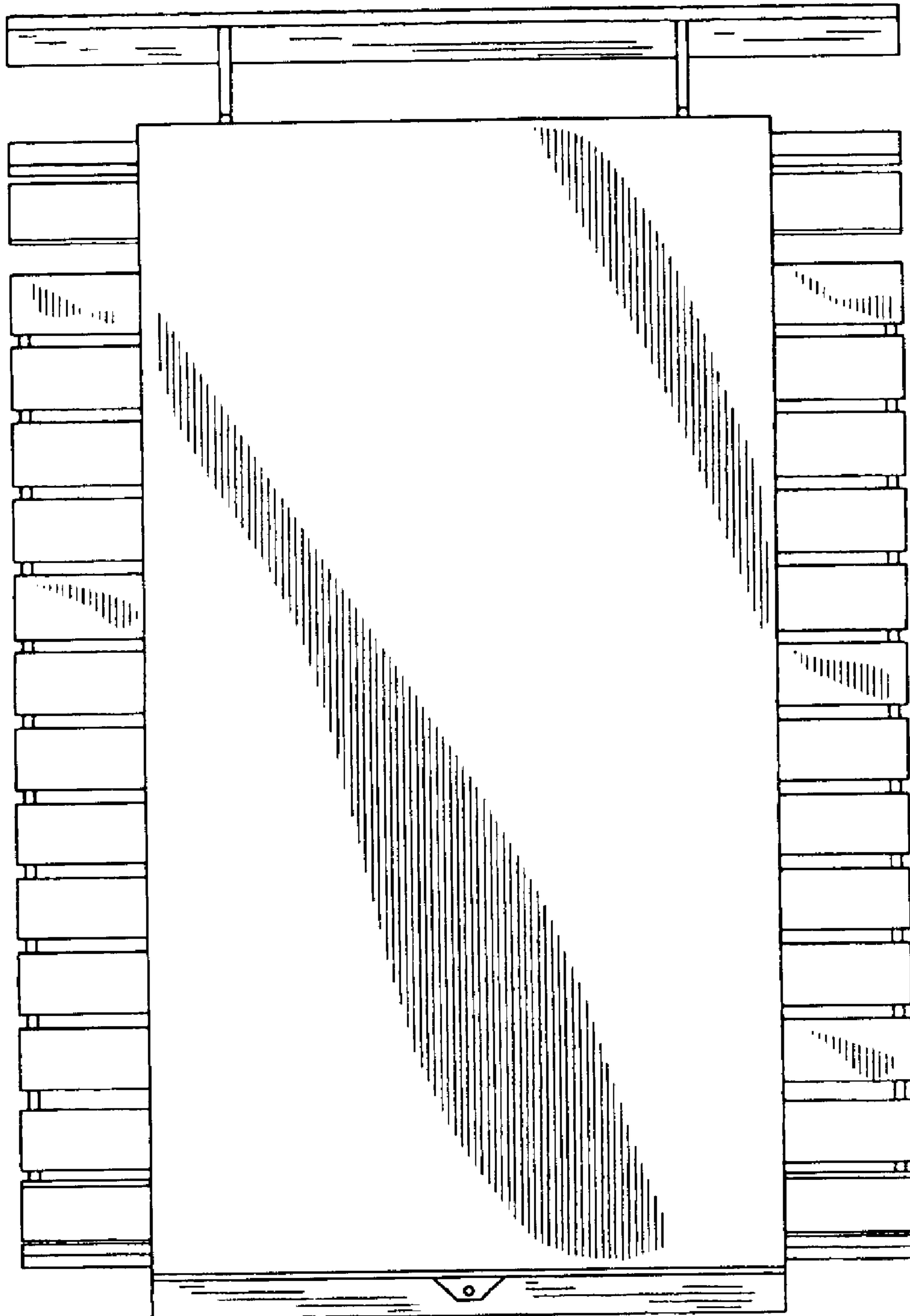


FIG. 6



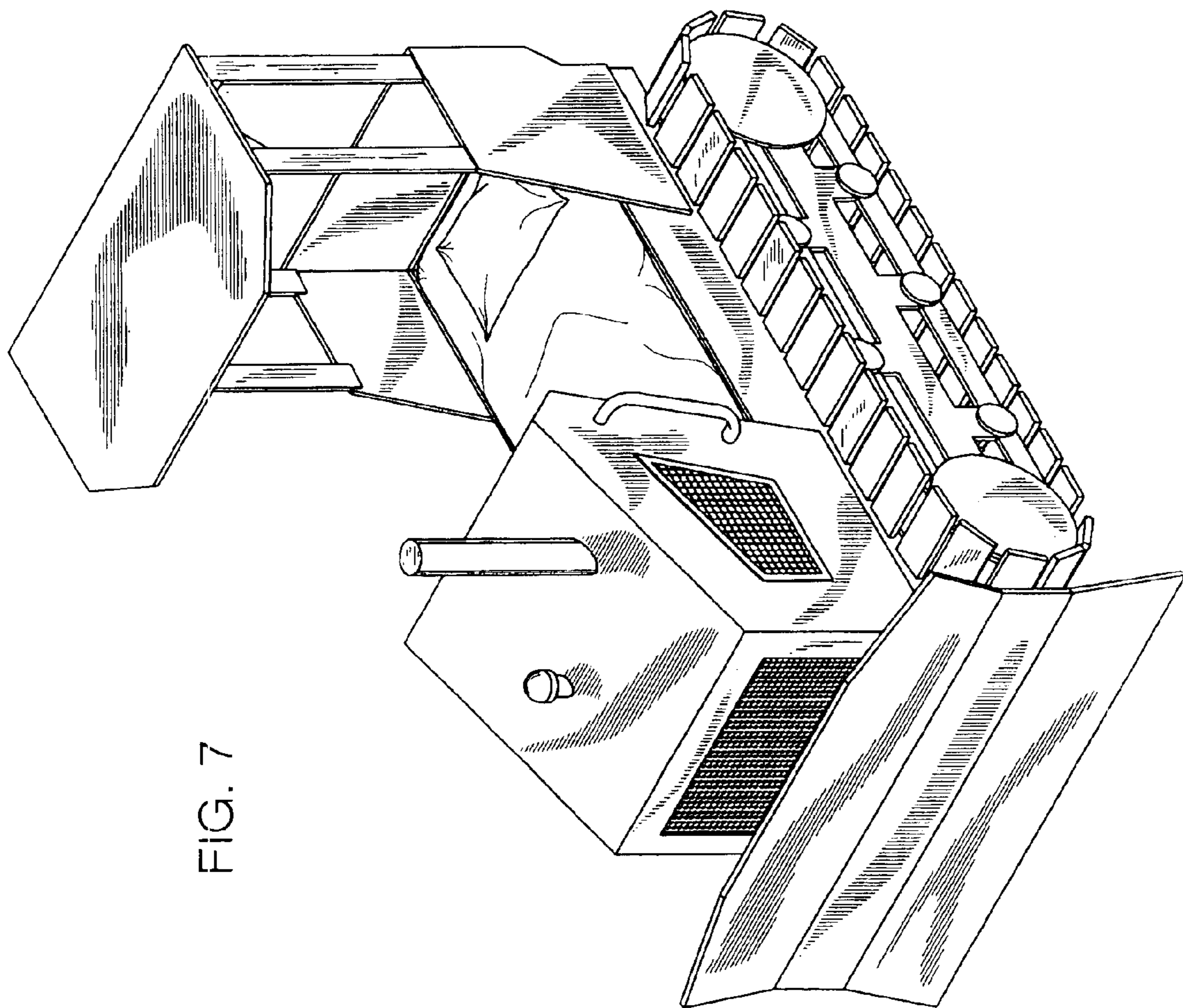


FIG. 7