



US00D527541S

(12) **United States Design Patent**
Natuzzi

(10) **Patent No.:** **US D527,541 S**
(45) **Date of Patent:** **** Sep. 5, 2006**

- (54) **SOFA**
- (75) Inventor: **Pasquale Natuzzi**, Santeramo in Colle
Bari (IT)
- (73) Assignee: **Natuzzi S.p.A.**, Bari (IT)
- (**) Term: **14 Years**
- (21) Appl. No.: **29/216,244**
- (22) Filed: **Oct. 29, 2004**

D489,915 S	*	5/2004	Natuzzi	D6/381
D493,039 S	*	7/2004	Ricci	D6/381
D493,296 S	*	7/2004	Nicoletti	D6/381
D495,153 S	*	8/2004	Ricci	D6/334
D495,514 S	*	9/2004	Ricci	D6/381
D495,892 S	*	9/2004	Ricci	D6/381
D495,893 S	*	9/2004	Ricci	D6/381
D498,942 S	*	11/2004	Ricci	D6/381
D499,261 S	*	12/2004	Ricci	D6/381
D499,263 S	*	12/2004	Ricci	D6/381
D502,614 S	*	3/2005	Tapinassi et al.	D6/381
D509,370 S	*	9/2005	Natuzzi	D6/334

- (51) **LOC (8) Cl.** **06-01**
- (52) **U.S. Cl.** **D6/381**
- (58) **Field of Classification Search** D6/334-337,
D6/349, 369, 381, 382, 384, 390, 391, 374,
D6/500-502, 373; 297/232-233, 240, 242,
297/244-245, 445.1, 446.1, 451.9, 452.11,
297/452.12; 5/12.1

See application file for complete search history.

(56) **References Cited**

U.S. PATENT DOCUMENTS

D94,831 S	*	3/1935	Granovsky	D6/381
D167,124 S	*	6/1952	Tuttle	D6/381
D353,273 S	*	12/1994	Natuzzi et al.	D6/381
D375,845 S	*	11/1996	Mourgue	D6/334
D424,316 S	*	5/2000	Natuzzi et al.	D6/381
D425,711 S	*	5/2000	Desombre	D6/334
D429,082 S	*	8/2000	Desombre	D6/381
D446,039 S	*	8/2001	Gomez	D6/381
D466,325 S	*	12/2002	Nicoletti	D6/381
D467,091 S	*	12/2002	Natuzzi et al.	D6/381
D477,152 S	*	7/2003	Levy	D6/381
D484,327 S	*	12/2003	Ricci	D6/381
D487,644 S	*	3/2004	Natuzzi	D6/381
D487,995 S	*	4/2004	Natuzzi	D6/381
D487,997 S	*	4/2004	Natuzzi	D6/381
D489,188 S	*	5/2004	Ricci	D6/334

OTHER PUBLICATIONS

Middle sofa in Furniture Today ad, Apr. 29, 2002, vol. 26,
No. 33, 1 pg.*
Natuzzi Model #1635, Internation Home Furnishings Mar-
ket, High Point, N.C. Oct. 1997, 1 pg.*

* cited by examiner

Primary Examiner—Sandra S. Snapp

(74) *Attorney, Agent, or Firm*—Egbert Law Offices

(57) **CLAIM**

I claim the ornamental design for a sofa, as shown and
described.

DESCRIPTION

FIG. 1 is a front elevation view of the sofa showing my
design.

FIG. 2 is top plan view thereof;

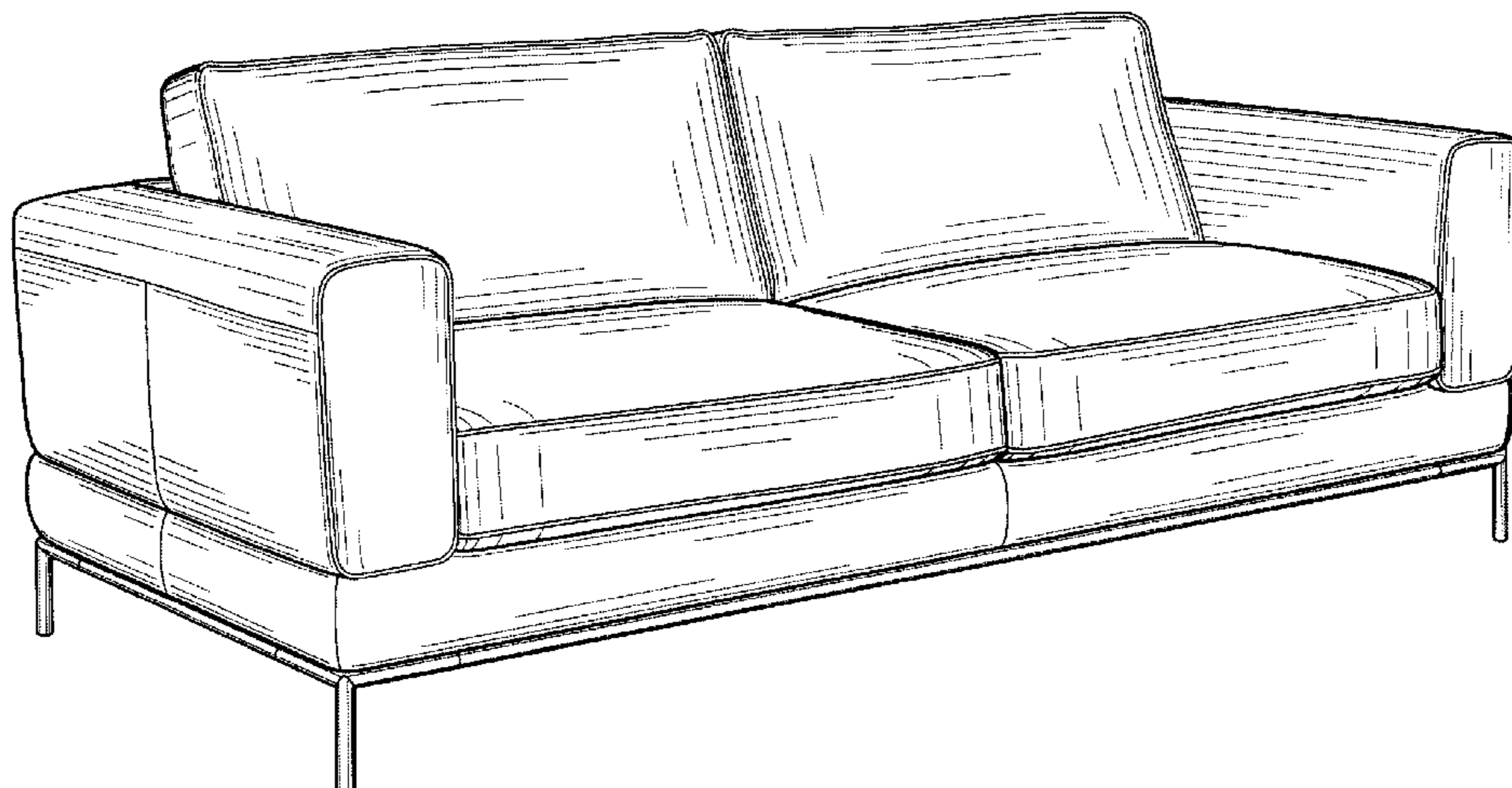
FIG. 3 is a front perspective view thereof;

FIG. 4 is a back perspective view thereof; and,

FIG. 5 is a side view thereof, an opposite side view being a
mirror image thereof.

The broken lines shown on the sofa are understood to
represent stitching.

1 Claim, 3 Drawing Sheets



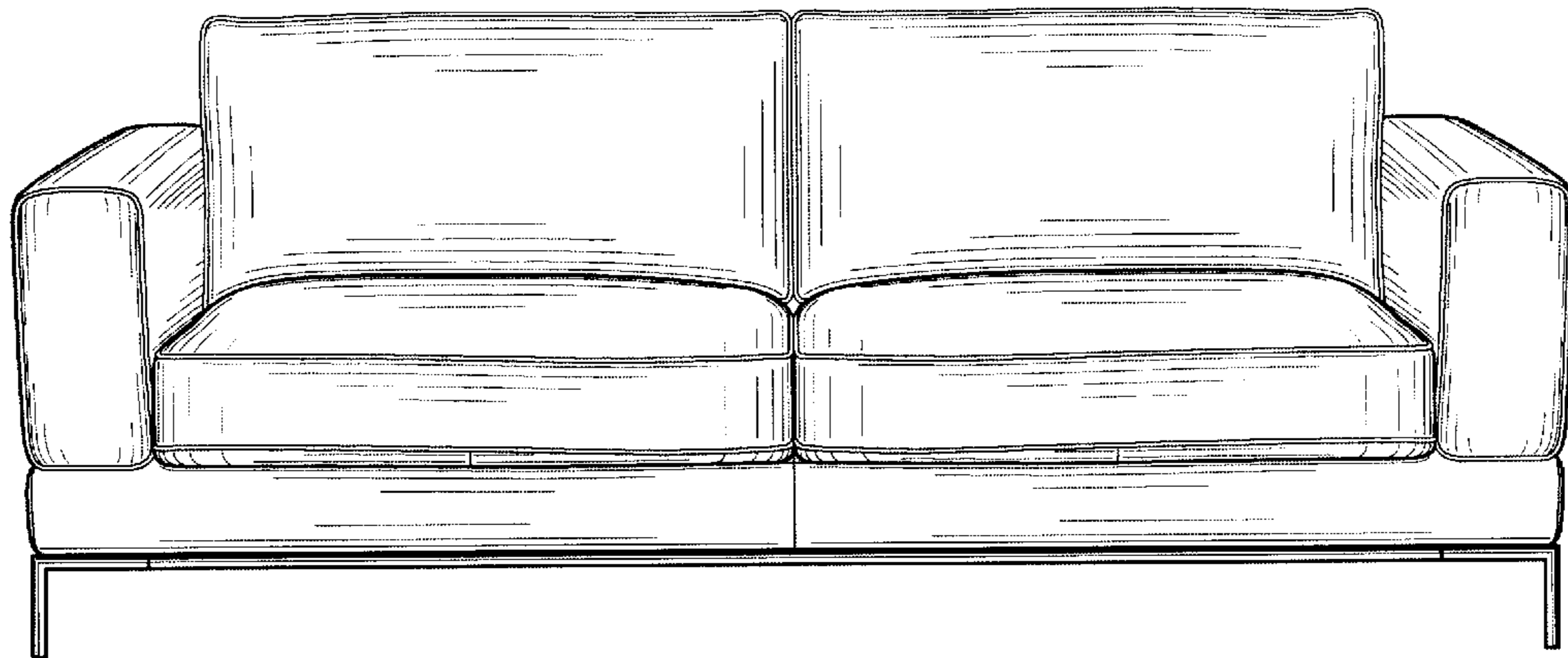


FIG. 1

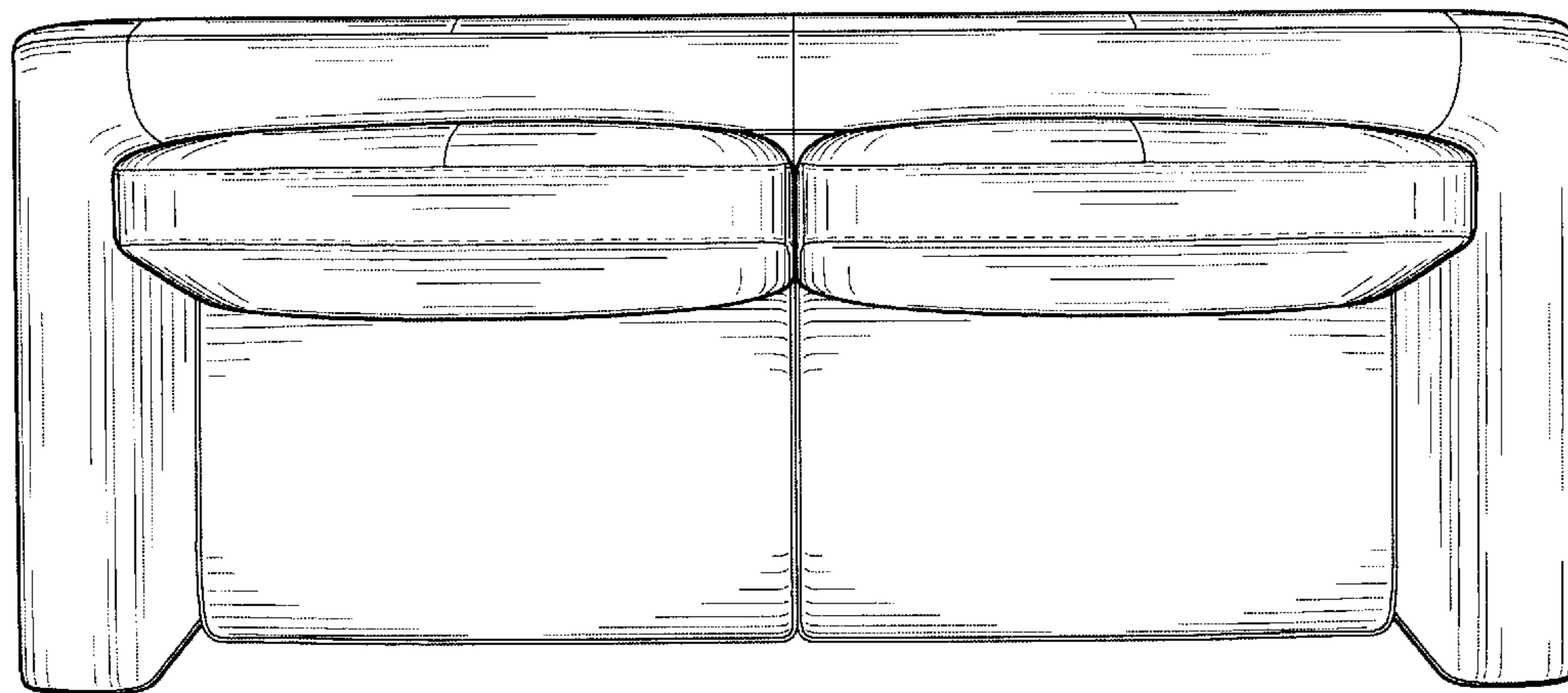


FIG. 2

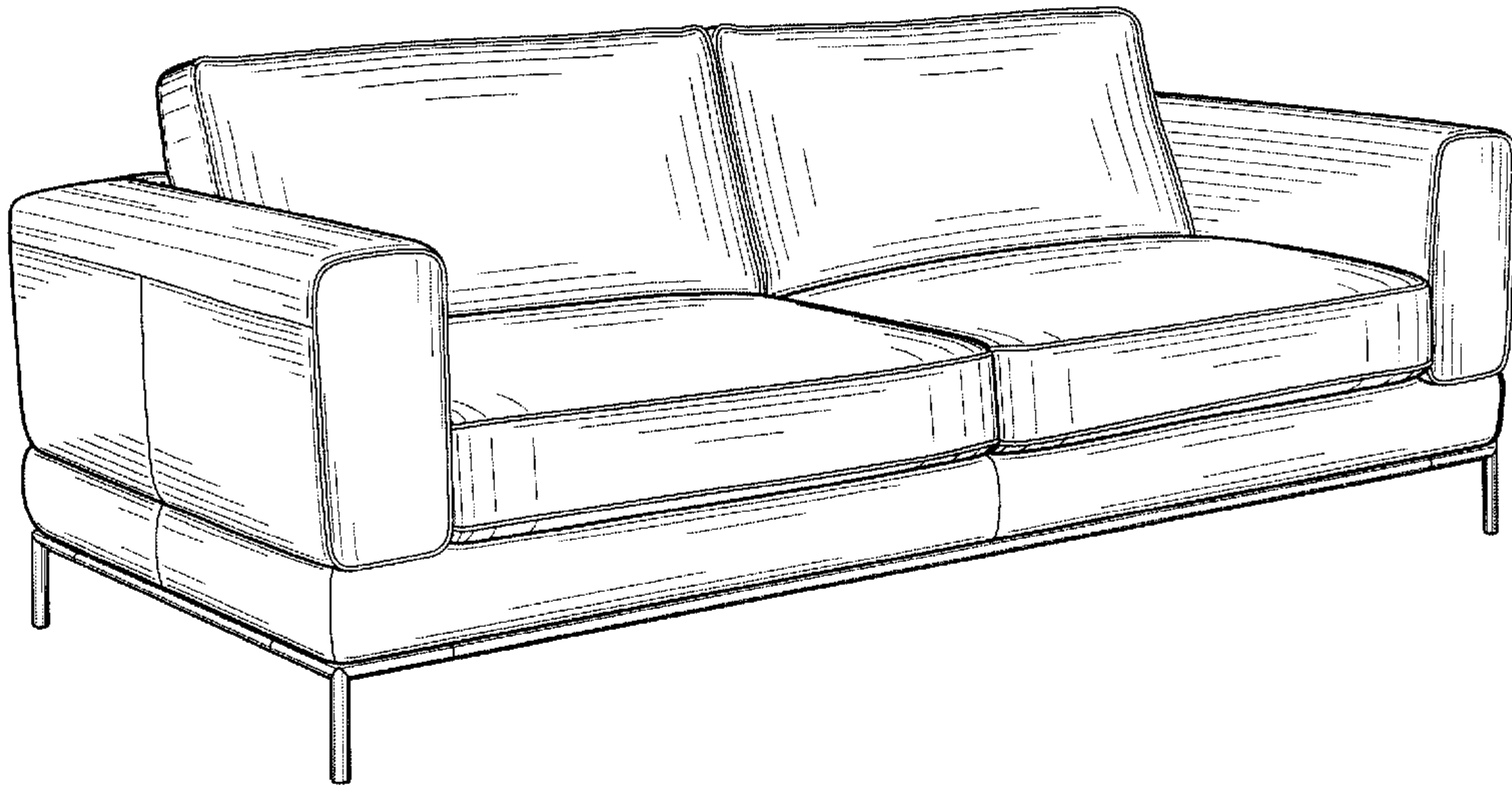


FIG. 3

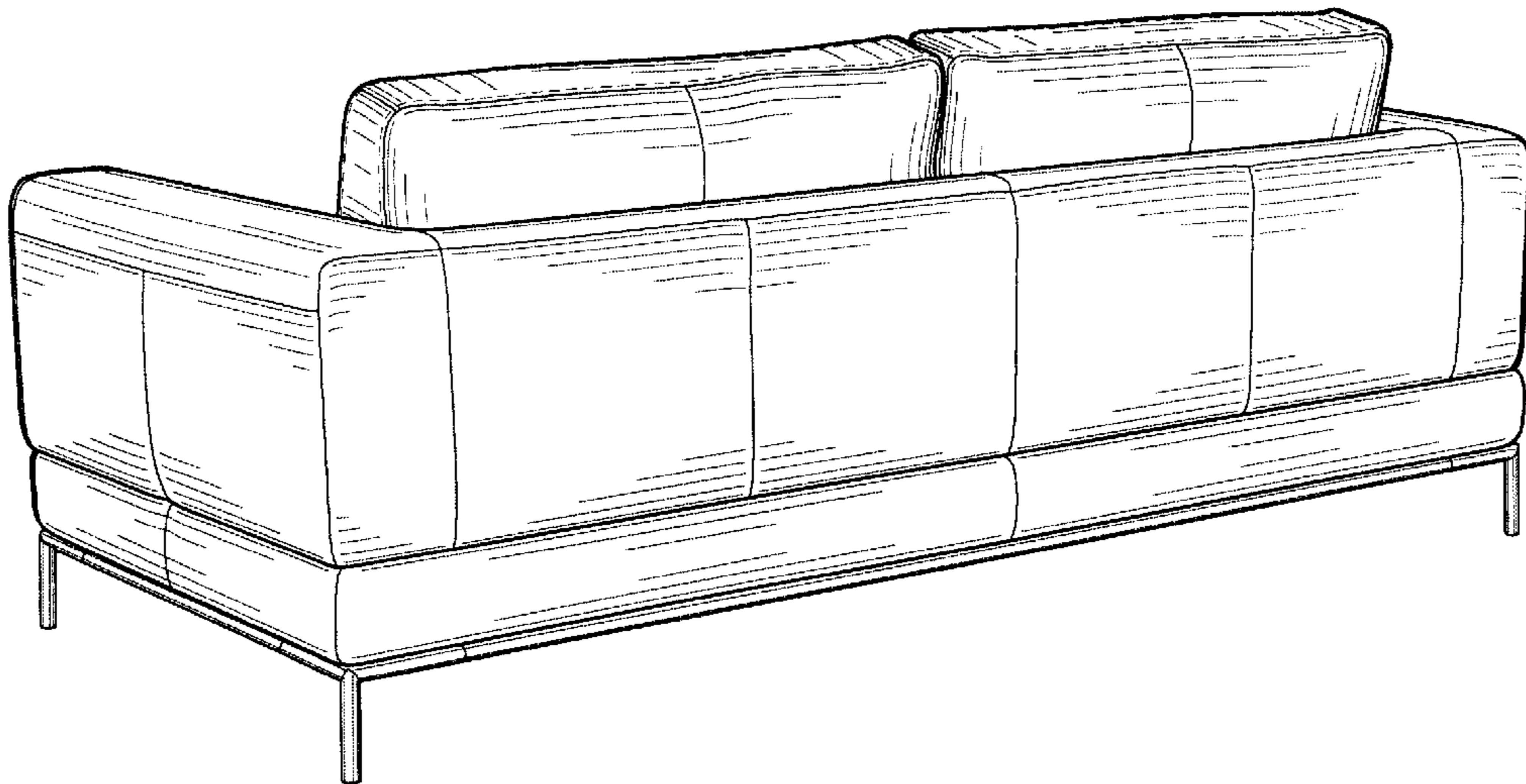


FIG. 4

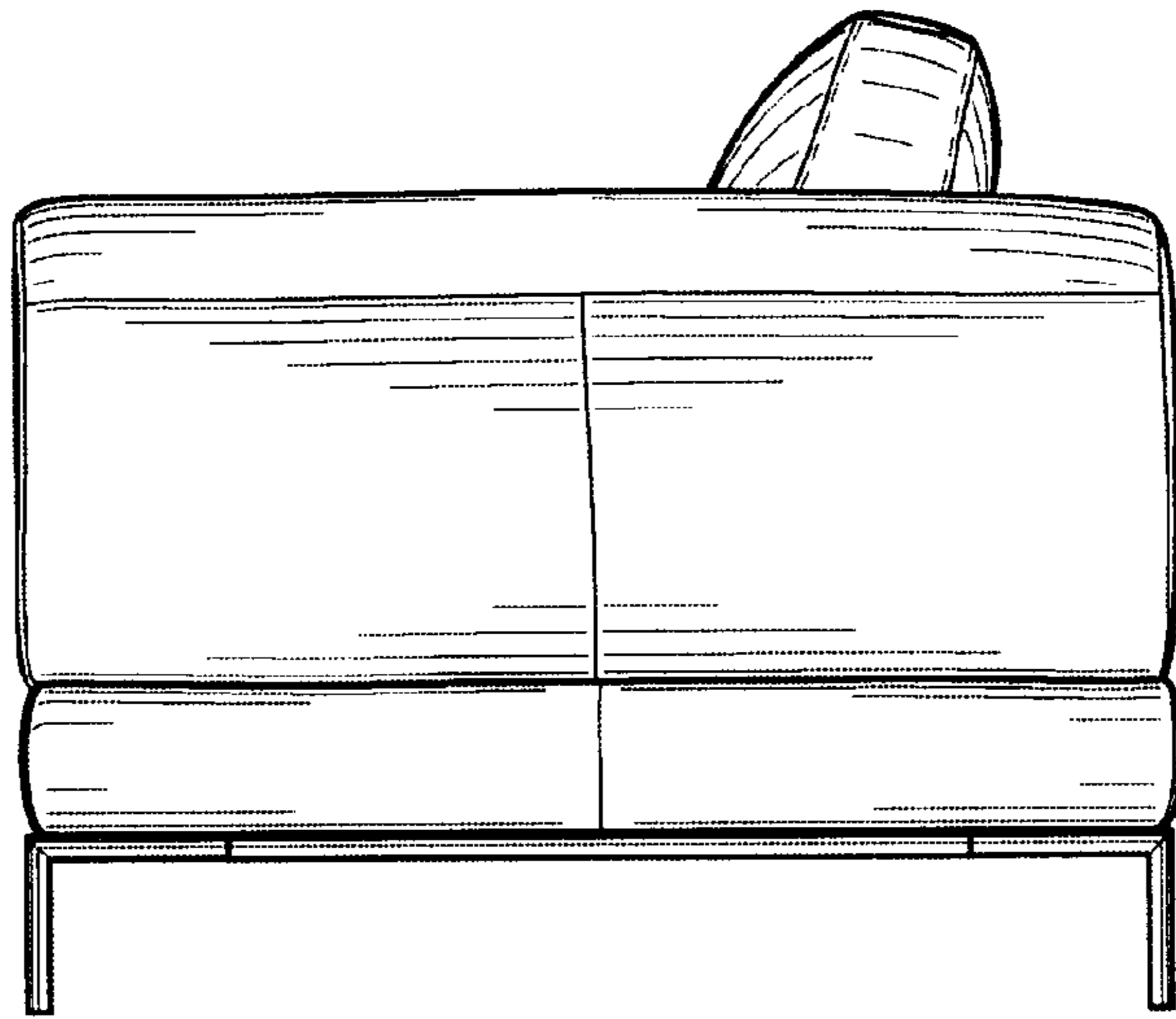


FIG. 5