



US00D527540S

(12) **United States Design Patent**
Kevonian

(10) **Patent No.:** **US D527,540 S**

(45) **Date of Patent:** **** Sep. 5, 2006**

- (54) **THREE SEAT DOUBLE SWIVEL SECTIONAL SOFA**
 - (75) Inventor: **Kevin Kevonian**, North Hollywood, CA (US)
 - (73) Assignee: **Armen Art, Inc.**, North Hollywood, CA (US)
 - (**) Term: **14 Years**
 - (21) Appl. No.: **29/215,294**
 - (22) Filed: **Oct. 14, 2004**
 - (51) **LOC (8) Cl.** **06-01**
 - (52) **U.S. Cl.** **D6/381**
 - (58) **Field of Classification Search** D6/334-337, D6/349, 369, 381, 382, 384, 390, 391, 374, D6/500-502; 297/232-233, 240, 242, 244-245, 297/445.1, 446.1, 451.9, 452.11, 452.12; 5/12.1
- See application file for complete search history.

- D334,300 S * 3/1993 Gibson D6/381
- 5,328,231 A * 7/1994 Raymond 297/13
- D390,710 S * 2/1998 Shields D6/334
- D481,218 S * 10/2003 Spinelli et al. D6/381
- D484,709 S * 1/2004 Cronk et al. D6/336
- D487,978 S * 4/2004 Friedman D6/335
- D513,891 S * 1/2006 Kevonian D6/334

* cited by examiner

Primary Examiner—Sandra S. Snapp

(74) *Attorney, Agent, or Firm*—Thomas I. Rozsa; Tony D. Chen

(57) **CLAIM**

The ornamental design for a three seat double swivel sectional sofa, as shown and described.

DESCRIPTION

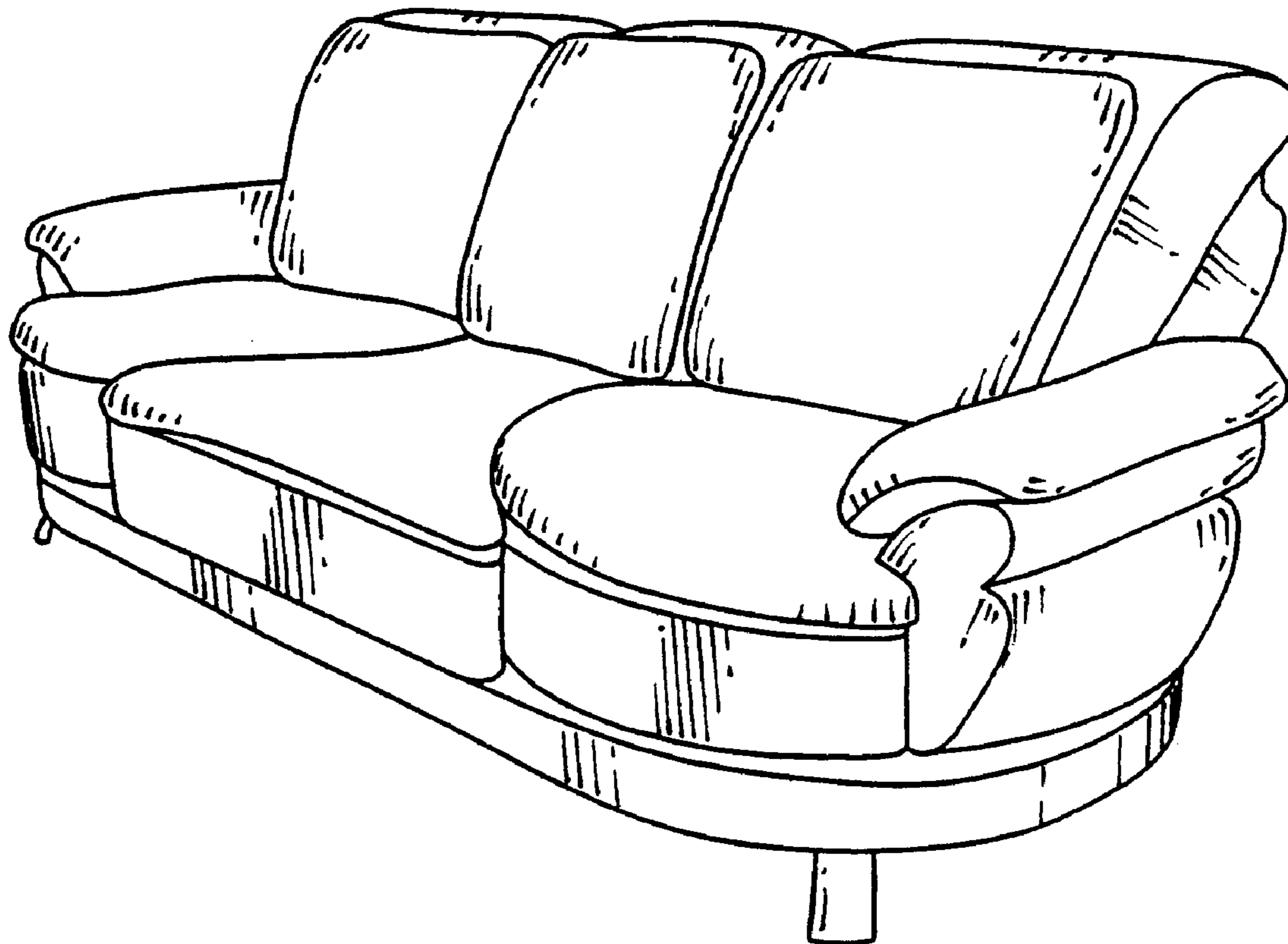
FIG. 1 is a perspective view of the three seat double swivel sectional sofa, showing my design;
 FIG. 2 is a front elevational view;
 FIG. 3 is a rear elevational view;
 FIG. 4 is a side view when viewed from the right side;
 FIG. 5 is a side view when viewed from the left side;
 FIG. 6 is a top plan view;
 FIG. 7 is a bottom plan view; and,
 FIG. 8 is a perspective view showing the two ends in the swivel position.

(56) **References Cited**

U.S. PATENT DOCUMENTS

- 214,051 A * 4/1879 Morgan 297/240
- 229,704 A * 7/1880 Holl 297/240
- 3,002,787 A * 10/1961 Ziegenfuss 297/249
- D192,115 S * 1/1962 Ziegenfuss D6/336
- 3,394,964 A * 7/1968 Humphries et al. 297/240

1 Claim, 3 Drawing Sheets



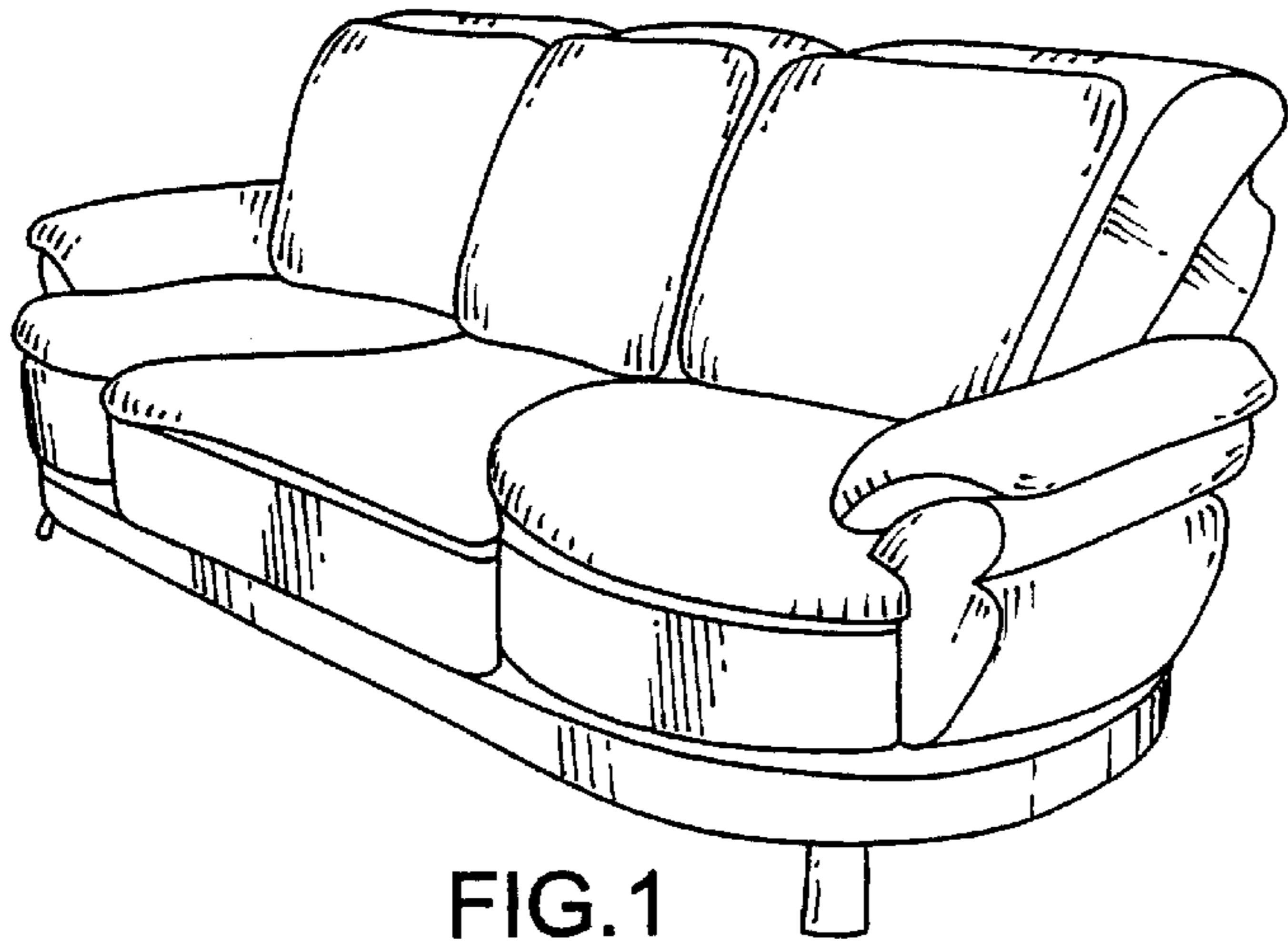


FIG.1

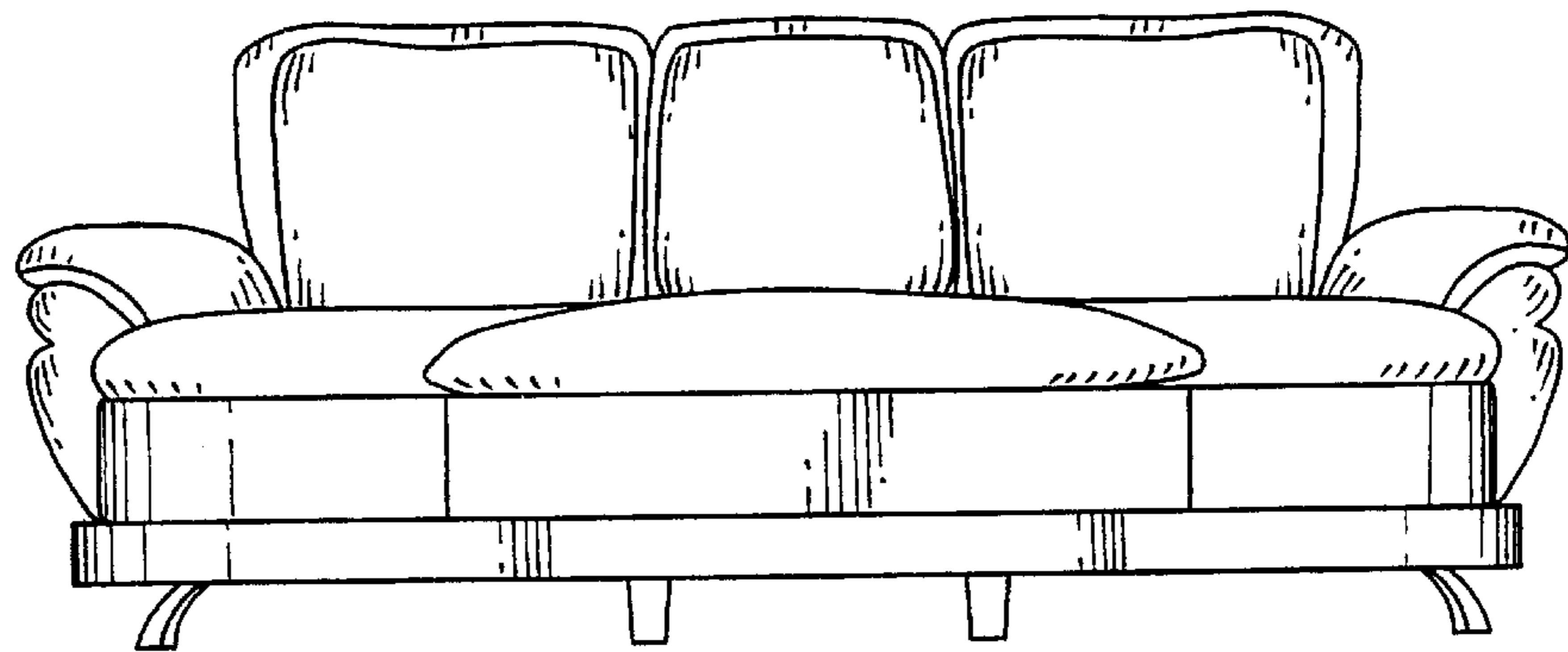


FIG.2

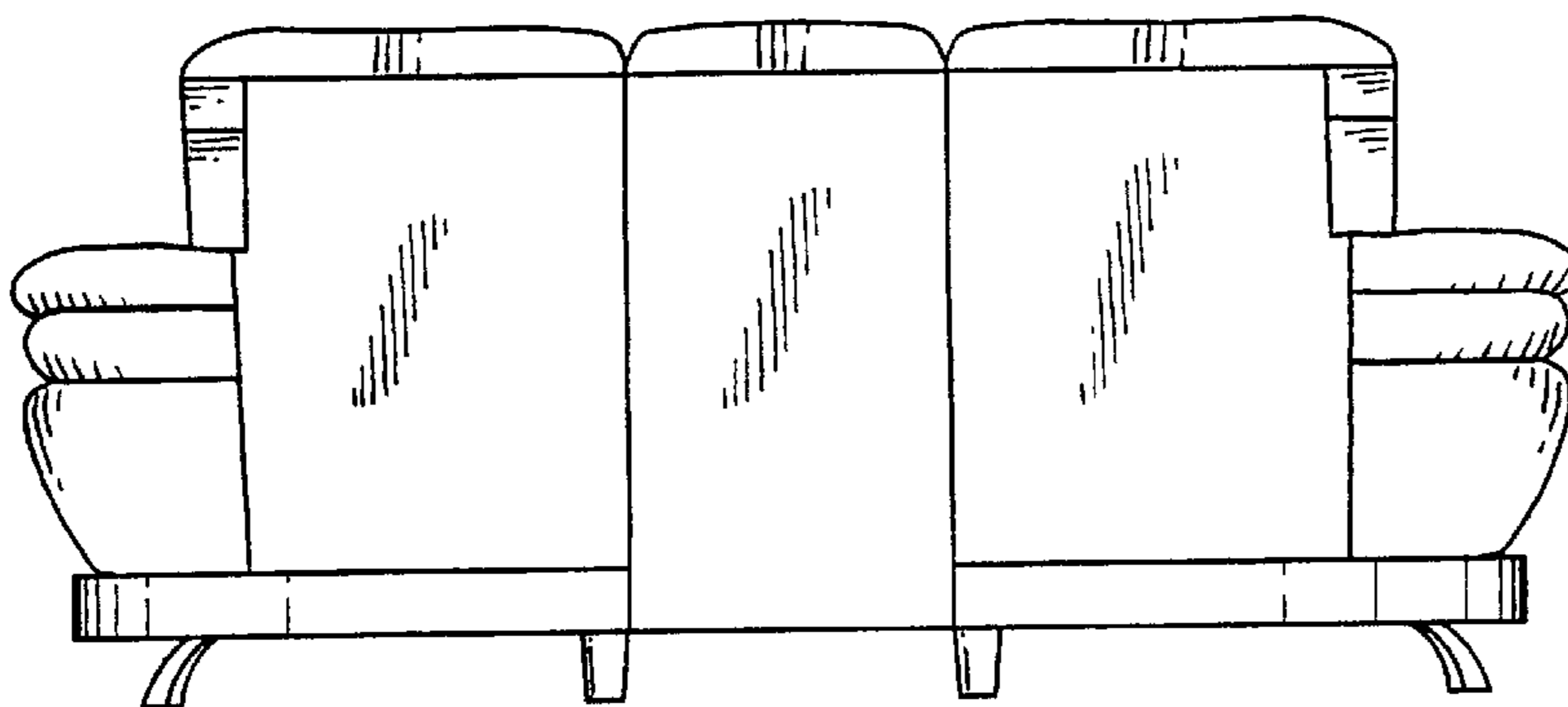


FIG.3

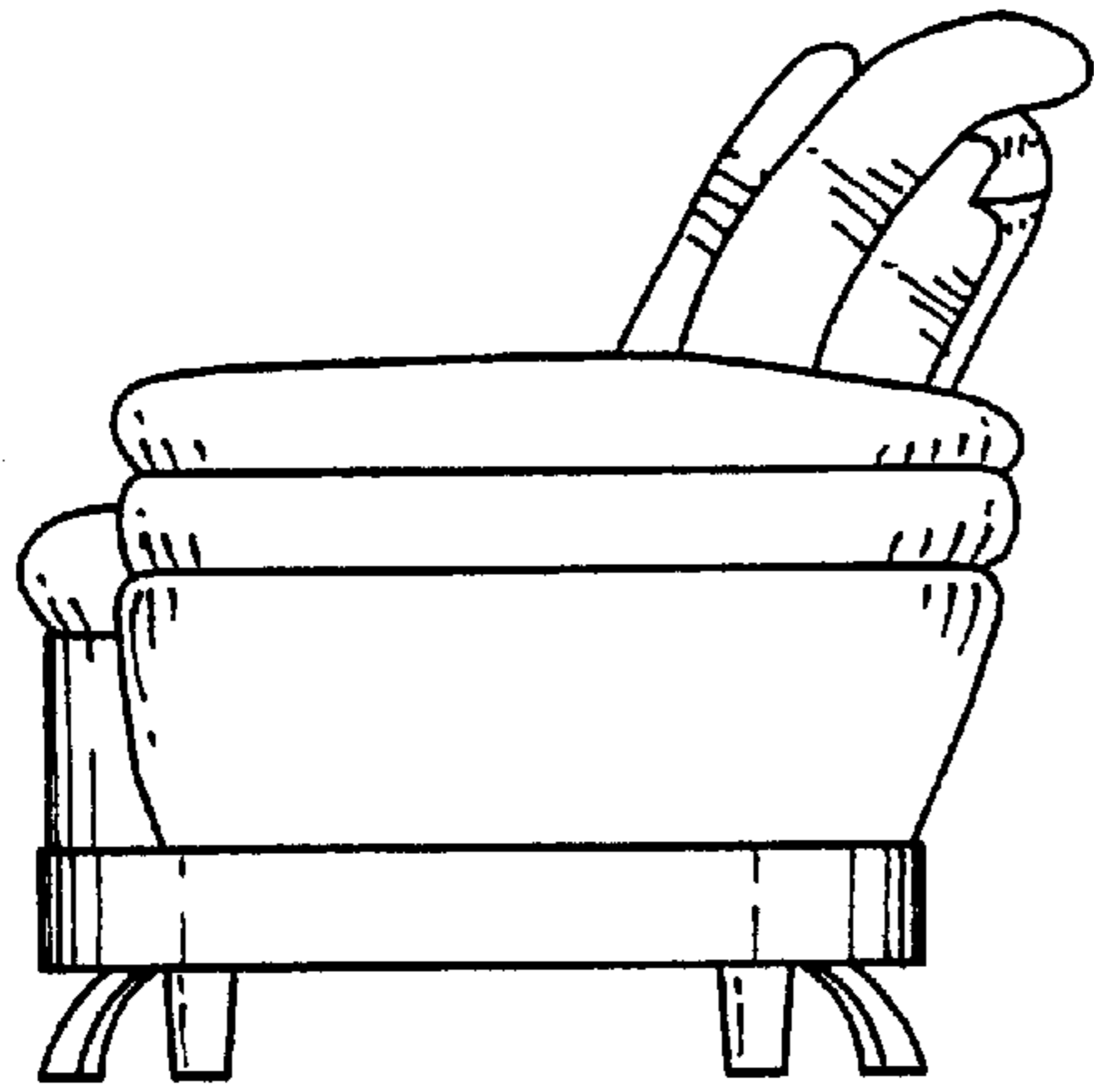


FIG. 4

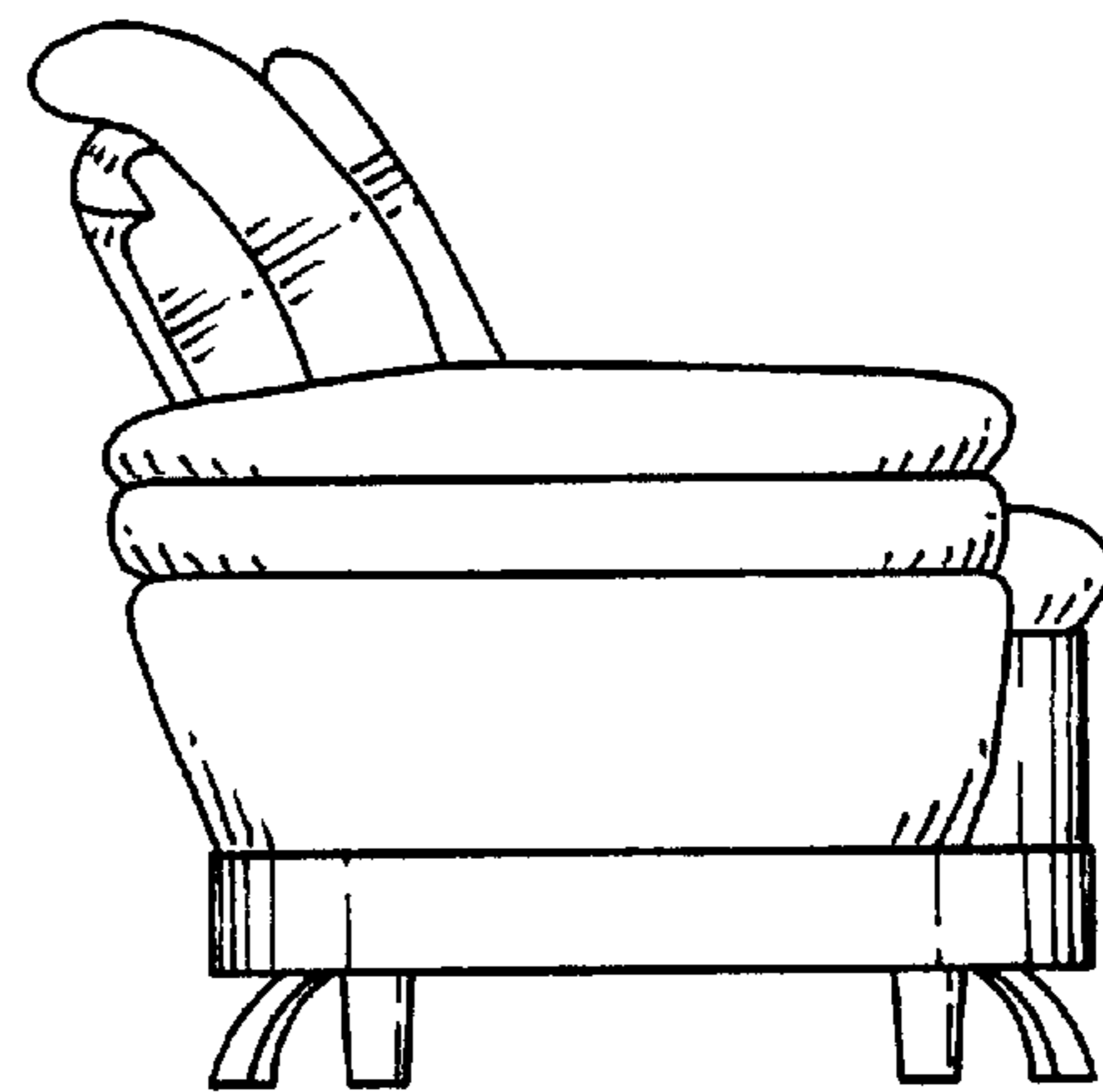


FIG. 5

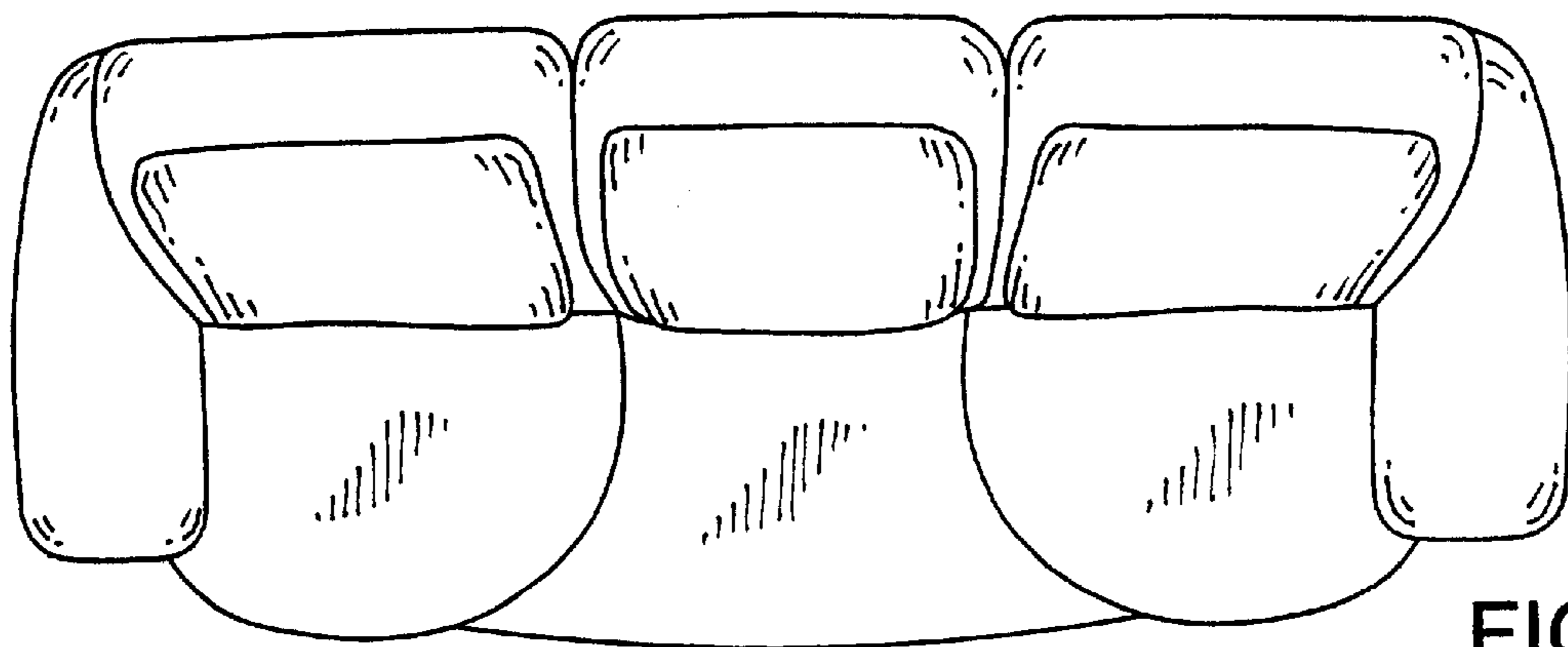


FIG. 6

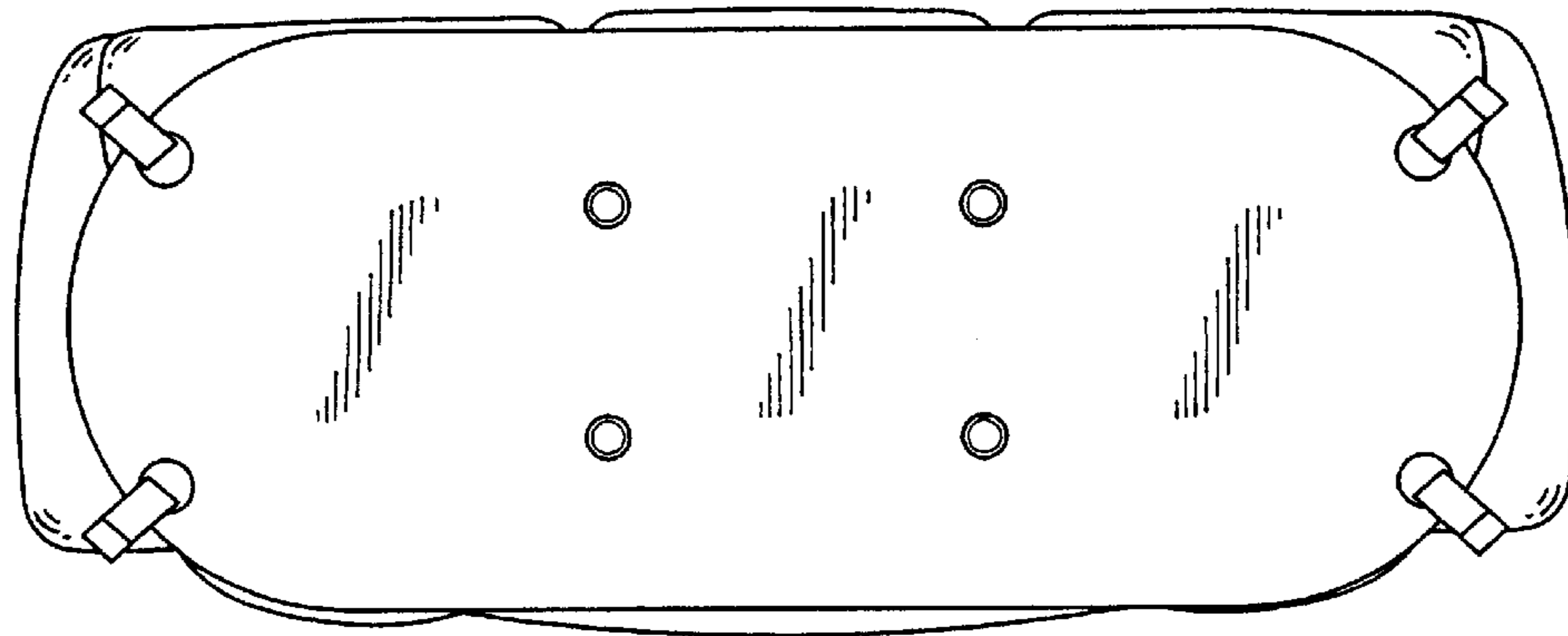


FIG. 7

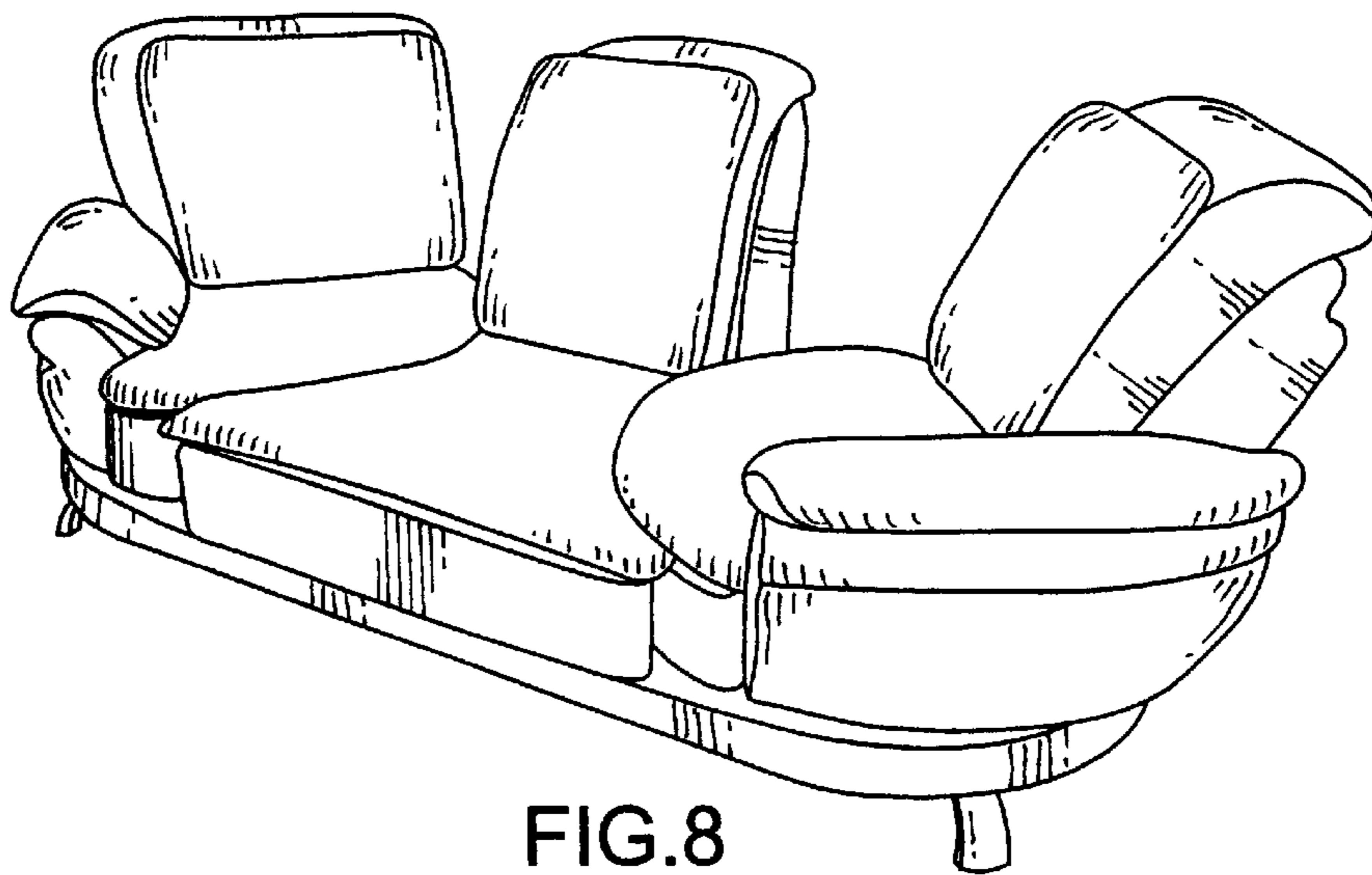


FIG. 8