



US00D527537S

(12) **United States Design Patent** (10) **Patent No.:** **US D527,537 S**
Edwards et al. (45) **Date of Patent:** **** Sep. 5, 2006**

(54) **BICYCLE ACCESSORY SEAT**

(76) Inventors: **Margaret B. Edwards**, 4657 Johnson Cove, Memphis, TN (US) 38117; **Lisa Walters**, 3019 Sandy Creek Dr., Germantown, TN (US) 38138

(**) Term: **14 Years**

(21) Appl. No.: **29/227,062**

(22) Filed: **Apr. 6, 2005**

(51) **LOC (8) Cl.** **06-01**

(52) **U.S. Cl.** **D6/333**

(58) **Field of Classification Search** 5/93.1, 5/99.1, 94, 101, 98.1, 947, 103-104, 655; D6/333-336, 339; D12/129, 130, 107, 111, D12/114, 115, 119, 402; D21/419; 297/250.1, 297/255, 256.15, 256.16, 183.1, 183.2; 280/30-31 See application file for complete search history.

(56) **References Cited**

U.S. PATENT DOCUMENTS

441,485 A	11/1890	Greenwood	
3,318,615 A	5/1967	Chreist, Jr.	
4,030,648 A	6/1977	Johnson et al.	224/31
4,053,091 A	* 10/1977	Martelet	224/415
4,085,968 A	* 4/1978	Svensson et al.	297/243
D281,964 S	12/1985	Rudell et al.	D12/111
D294,203 S	* 2/1988	Schepis et al.	D6/354
D311,281 S	* 10/1990	Meeker	D6/333

4,998,744 A	3/1991	Drexler	280/202
D332,877 S	* 2/1993	Newbold	D6/333
5,330,215 A	7/1994	Bishaf et al.	280/202
5,370,441 A	12/1994	Chuang	297/250.1
D356,447 S	* 3/1995	Peters	D6/333
D367,181 S	* 2/1996	Peters	D6/333
D369,474 S	* 5/1996	Slichter et al.	D6/333
D369,683 S	* 5/1996	Fedorka	D6/333
D399,659 S	* 10/1998	Reiland et al.	D6/333
5,850,958 A	12/1998	Belanger et al.	224/415

* cited by examiner

Primary Examiner—Sandra S. Snapp

(74) *Attorney, Agent, or Firm*—Butler, Snow, O'Mara, Stevens & Cannada PLLC

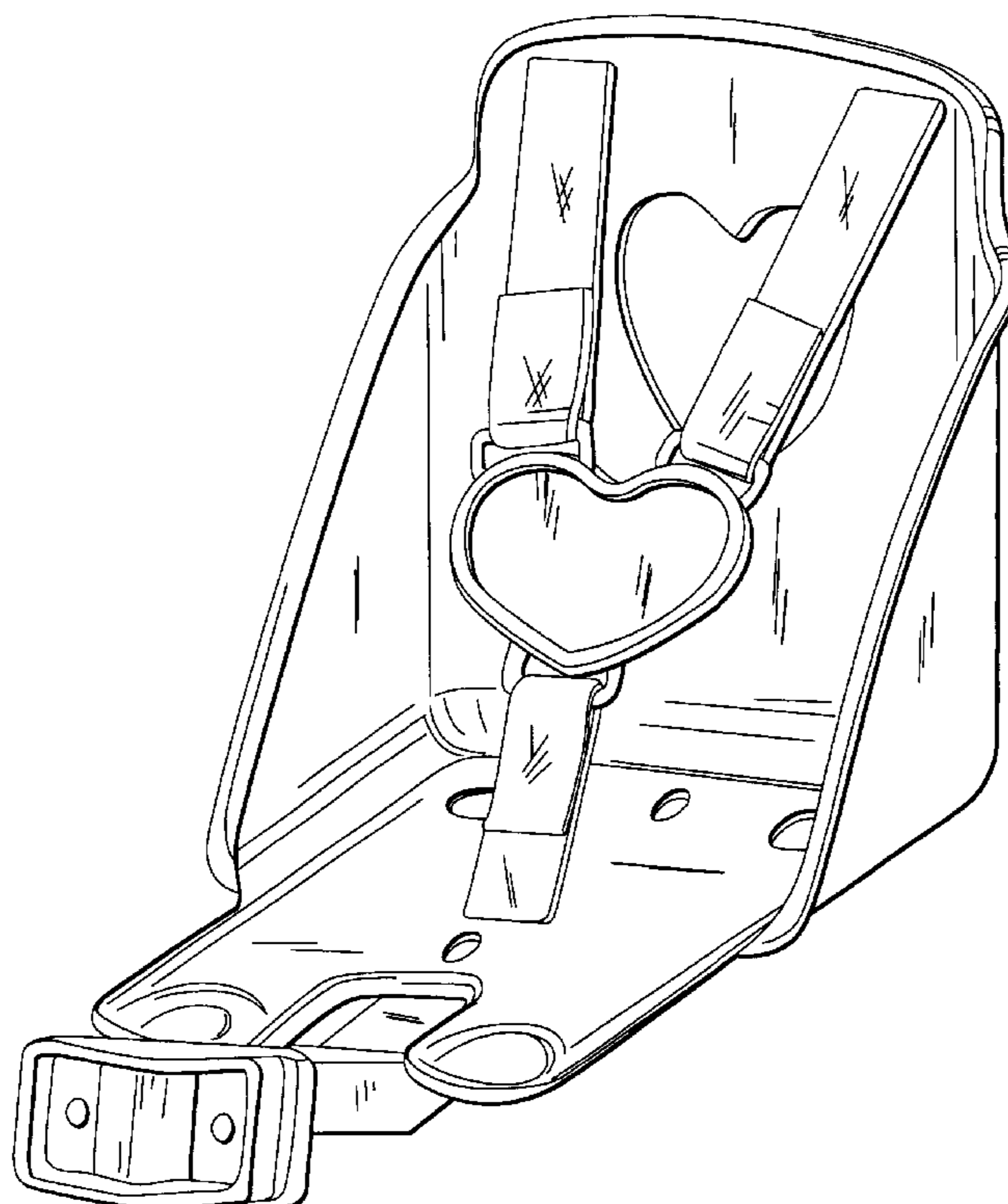
(57) **CLAIM**

We claim the ornamental design for a bicycle accessory seat, as shown and described.

DESCRIPTION

FIG. 1 is a perspective view of the bicycle accessory seat. FIG. 2 is a front view of the bicycle accessory seat. FIG. 3 is a right side view of the bicycle accessory seat, left side being a mirror image. FIG. 4 is a rear view of the bicycle accessory seat. FIG. 5 is a top perspective view of the bicycle accessory seat; and, FIG. 6 is a bottom perspective view of the bicycle accessory seat.

1 Claim, 4 Drawing Sheets



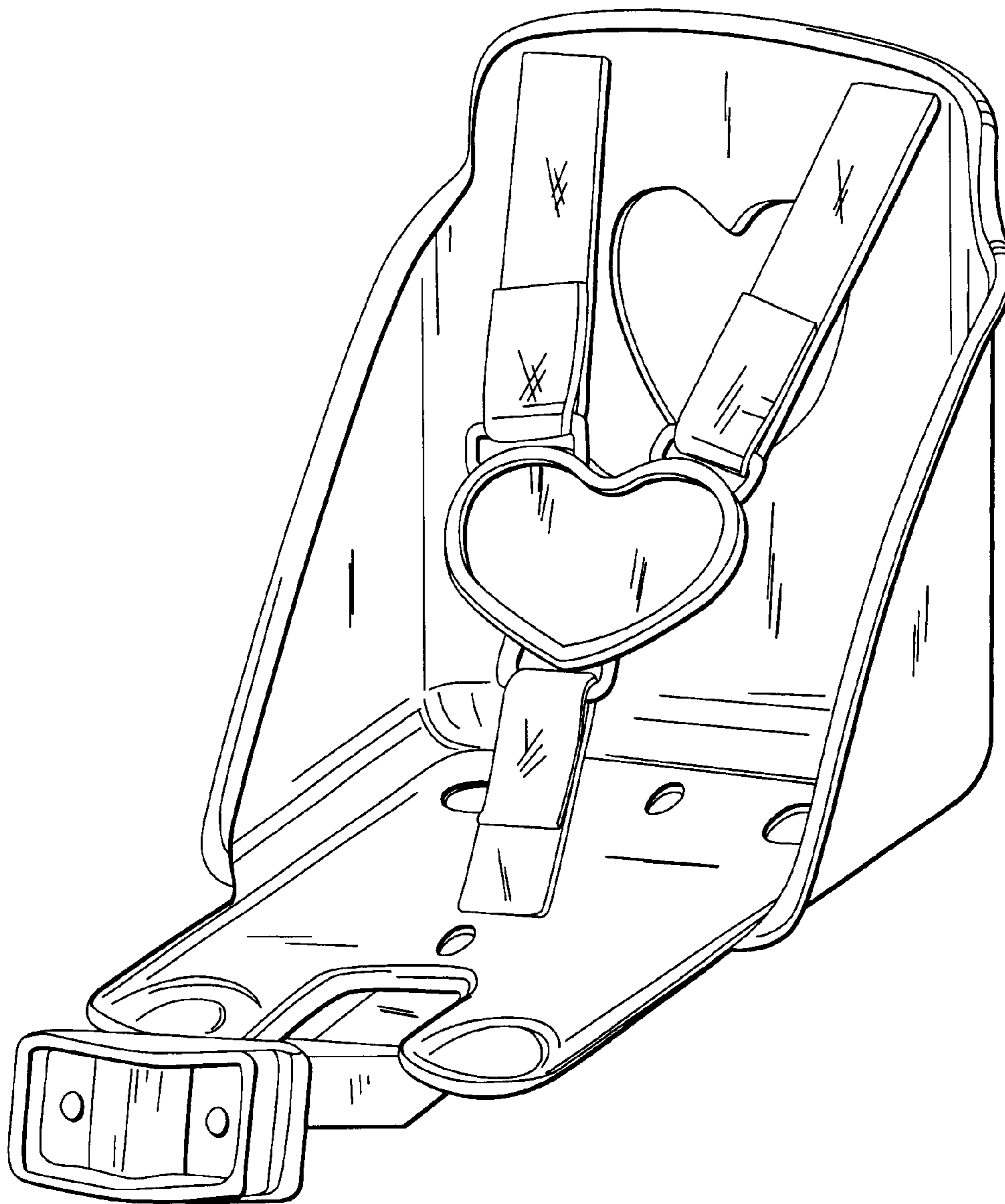


FIG. 1

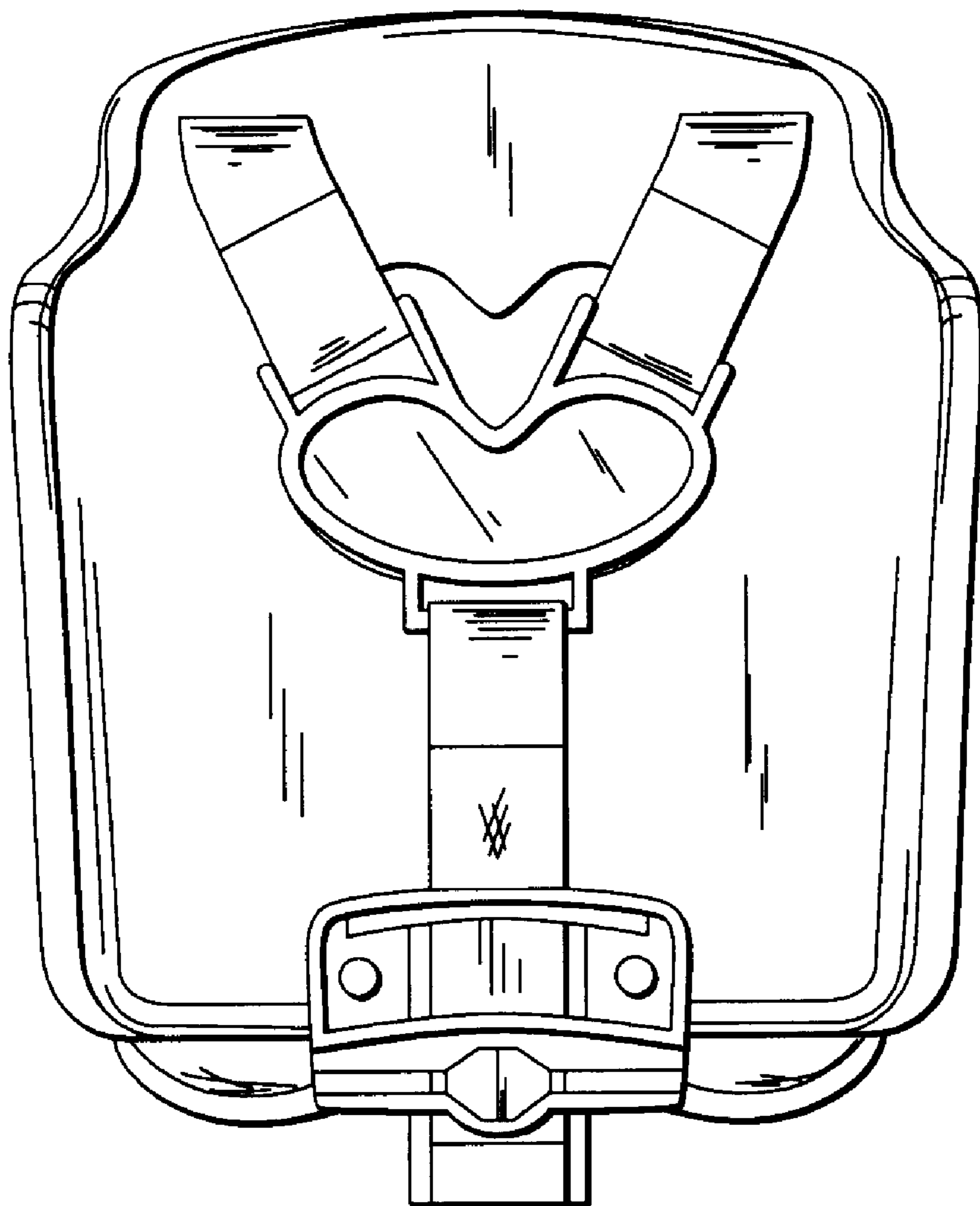


FIG. 2

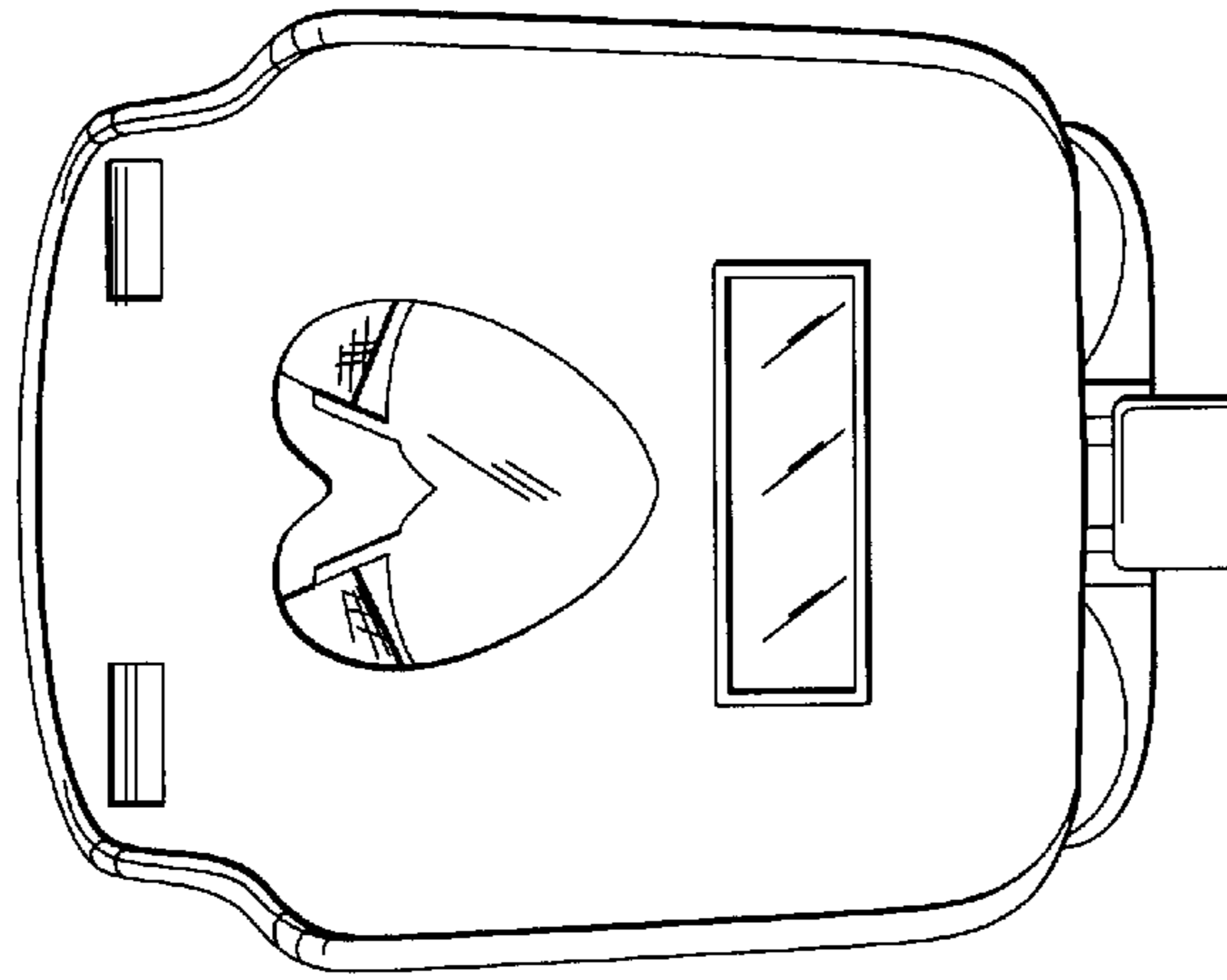


FIG. 4

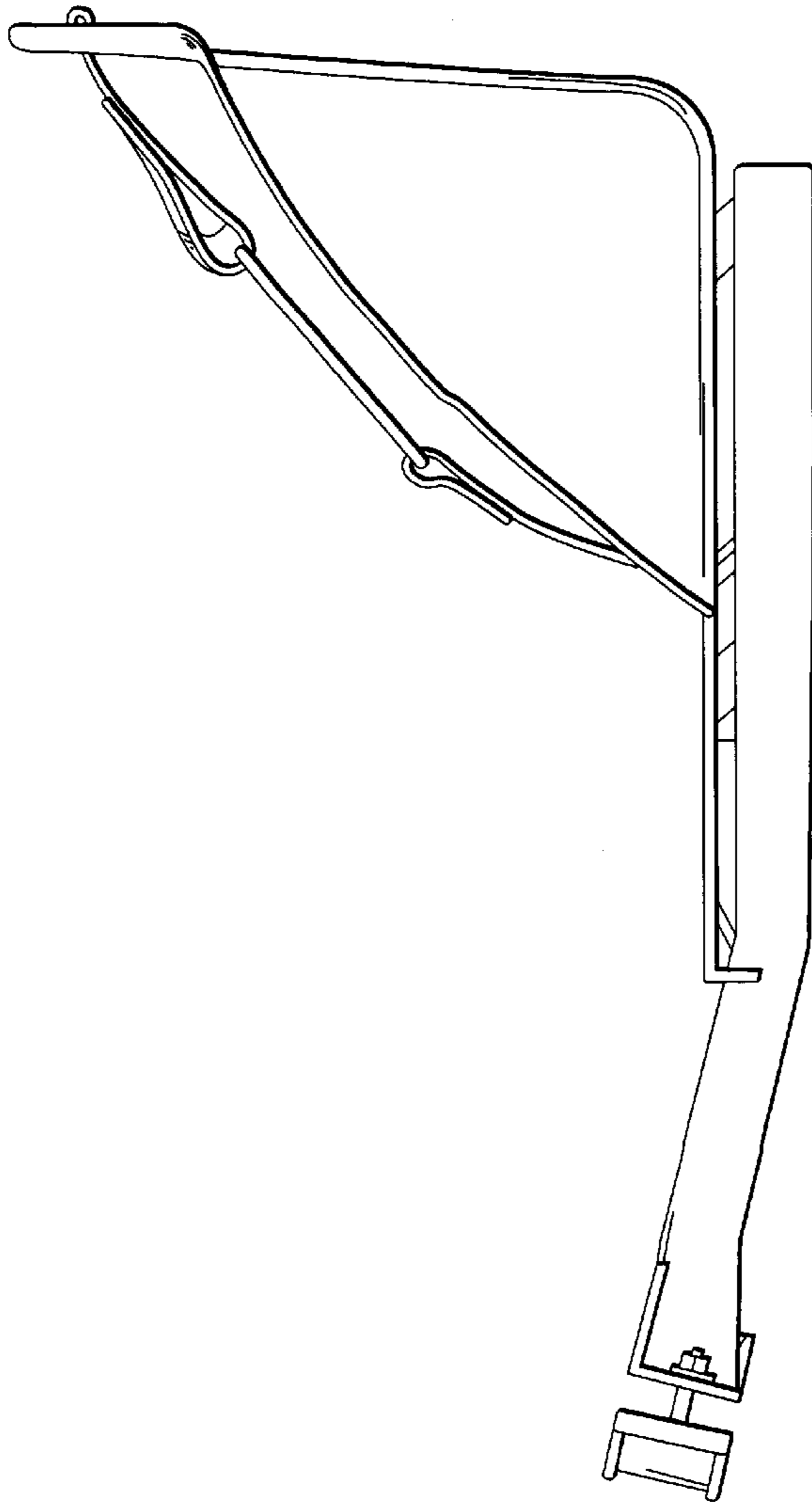


FIG. 3

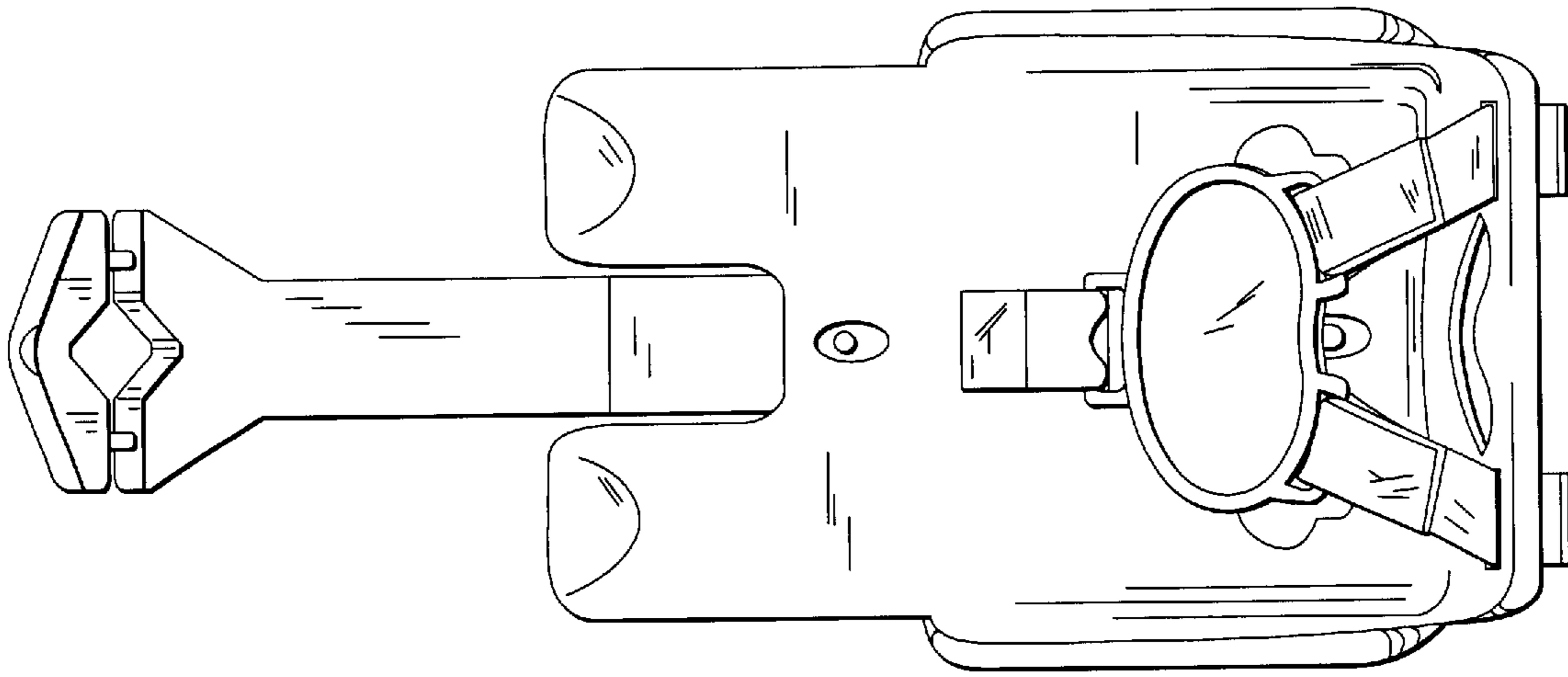


FIG. 5

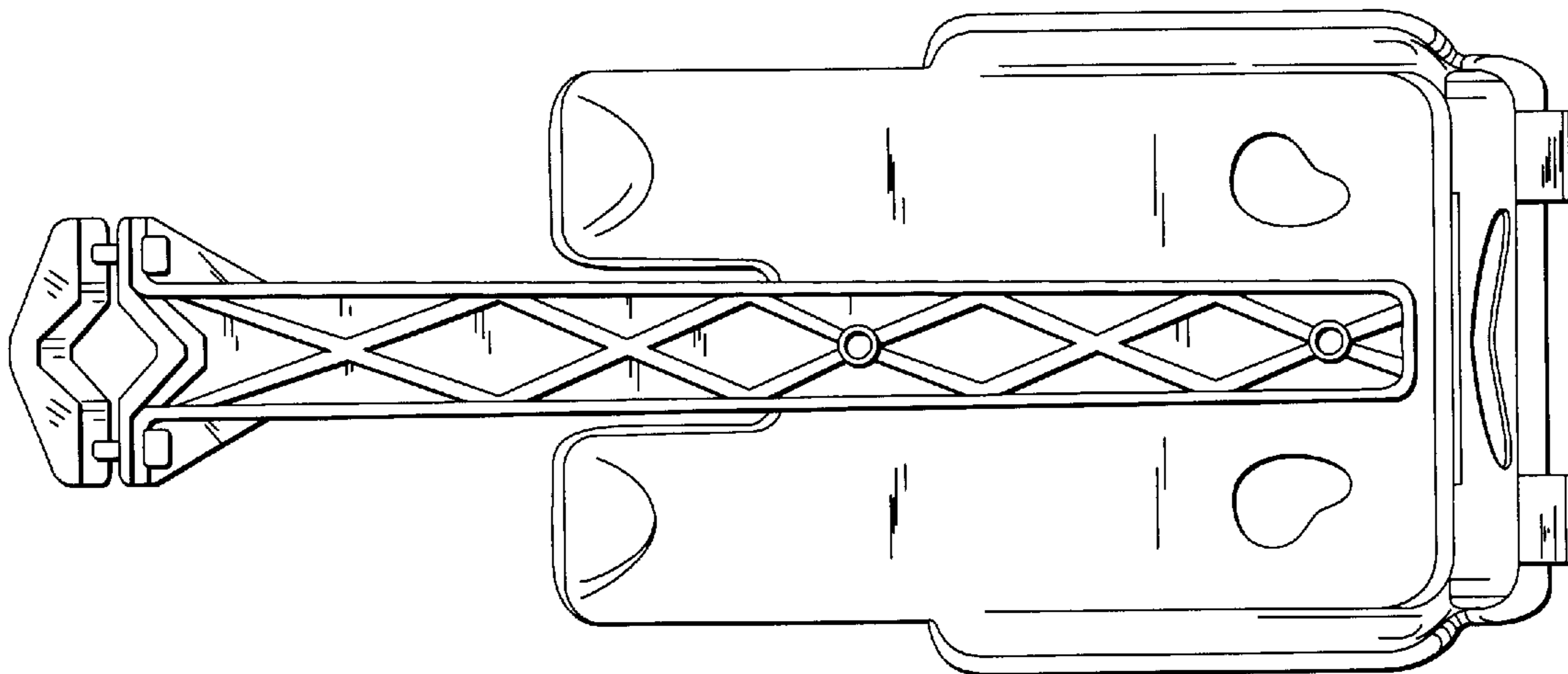


FIG. 6