



US00D527532S

(12) **United States Design Patent**
Henke et al.

(10) **Patent No.:** **US D527,532 S**

(45) **Date of Patent:** **** Sep. 5, 2006**

(54) **PAINT PAD APPLICATOR HANDLE**

(75) Inventors: **David R. Henke**, Maple Grove, MN (US); **James B. Easley**, Orono, MN (US)

(73) Assignee: **Warner Manufacturing Company**, Minneapolis, MN (US)

(**) Term: **14 Years**

(21) Appl. No.: **29/209,857**

(22) Filed: **Jul. 22, 2004**

(51) **LOC (8) Cl.** **04-04**

(52) **U.S. Cl.** **D4/138**

(58) **Field of Classification Search** D4/121, D4/137, 138; 15/143.1, 144.1, 209.1, 210.1, 15/244.1, 244.2; 16/110.1, 429-431; 451/344, 451/490, 523-526, 557
See application file for complete search history.

(56) **References Cited**

U.S. PATENT DOCUMENTS

3,369,268 A * 2/1968 Burns et al. 15/210.1

4,658,461 A * 4/1987 Roe et al. 15/210.1
4,819,294 A * 4/1989 Calvert 15/209.1
D434,911 S * 12/2000 Lynch et al. D4/137
6,546,584 B1 * 4/2003 Hobden 15/144.1

* cited by examiner

Primary Examiner—Alan P. Douglas

Assistant Examiner—Lavone D. Tabor

(74) *Attorney, Agent, or Firm*—Hamre, Schumann, Mueller & Larson, P.C.

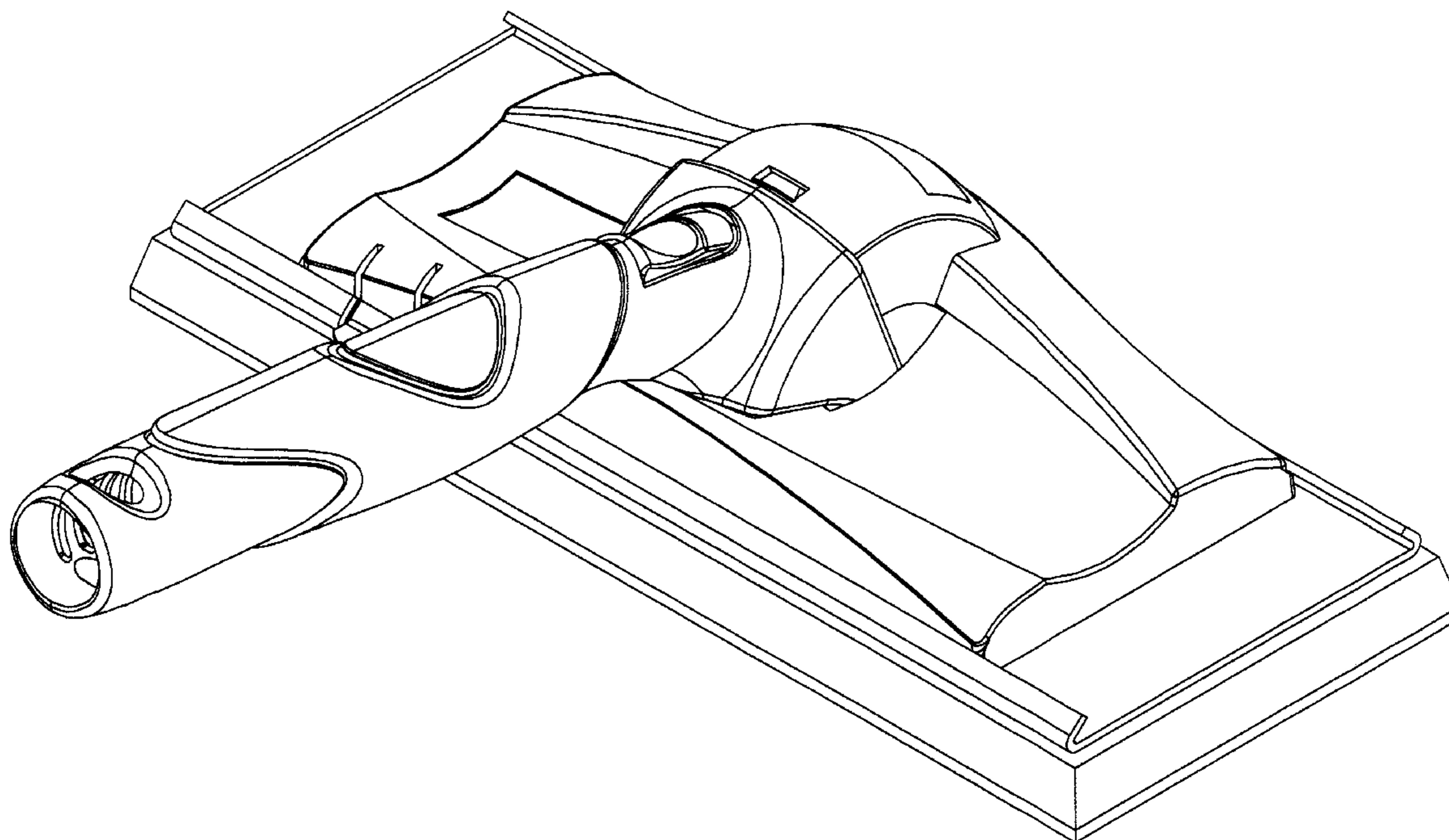
(57) **CLAIM**

The ornamental design for a paint pad applicator handle, as shown and described.

DESCRIPTION

FIG. 1 is a perspective rear view thereof;
FIG. 2 is a rear view thereof;
FIG. 3 is a front view thereof;
FIG. 4 is right view thereof;
FIG. 5 is a left view thereof;
FIG. 6 is a top view thereof;
FIG. 7 is a bottom view thereof; and,
FIG. 8 is a perspective front view thereof.

1 Claim, 6 Drawing Sheets



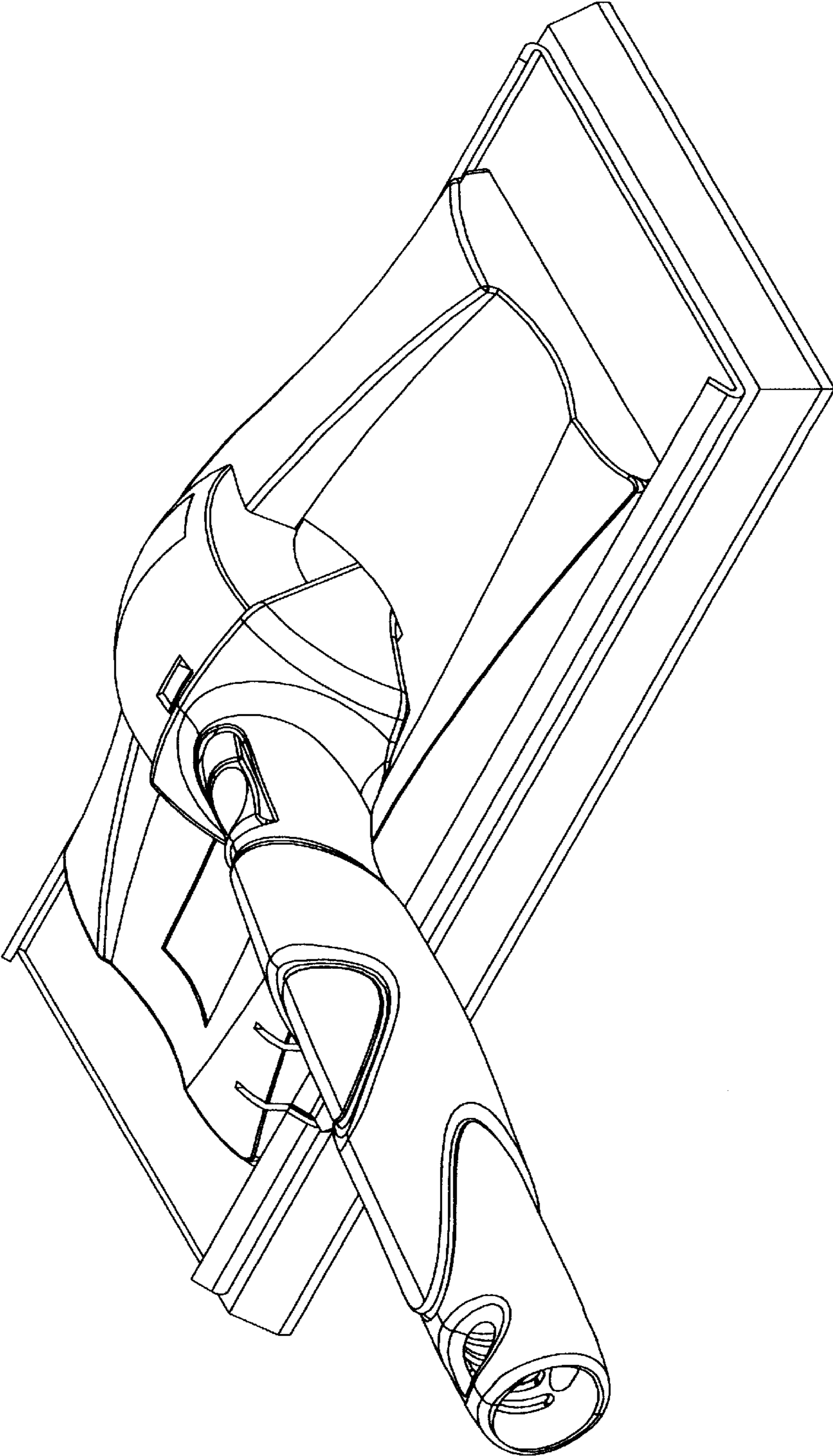


FIG. 1

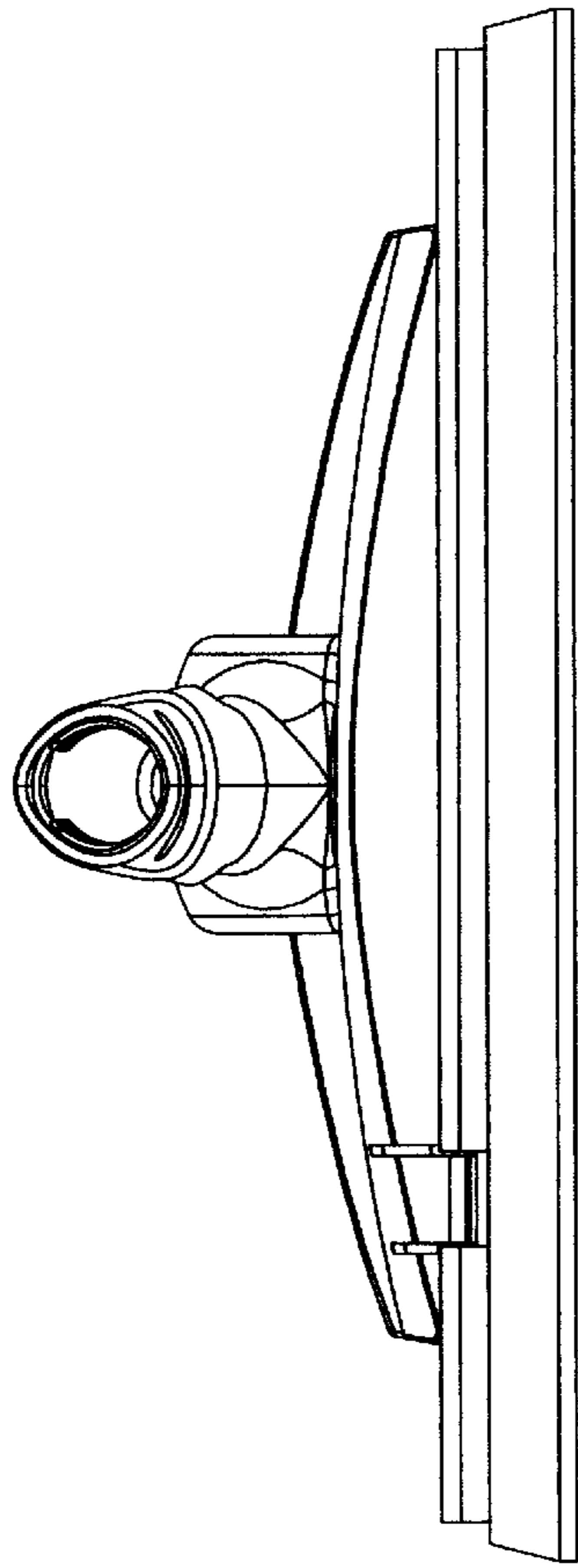


FIG. 2

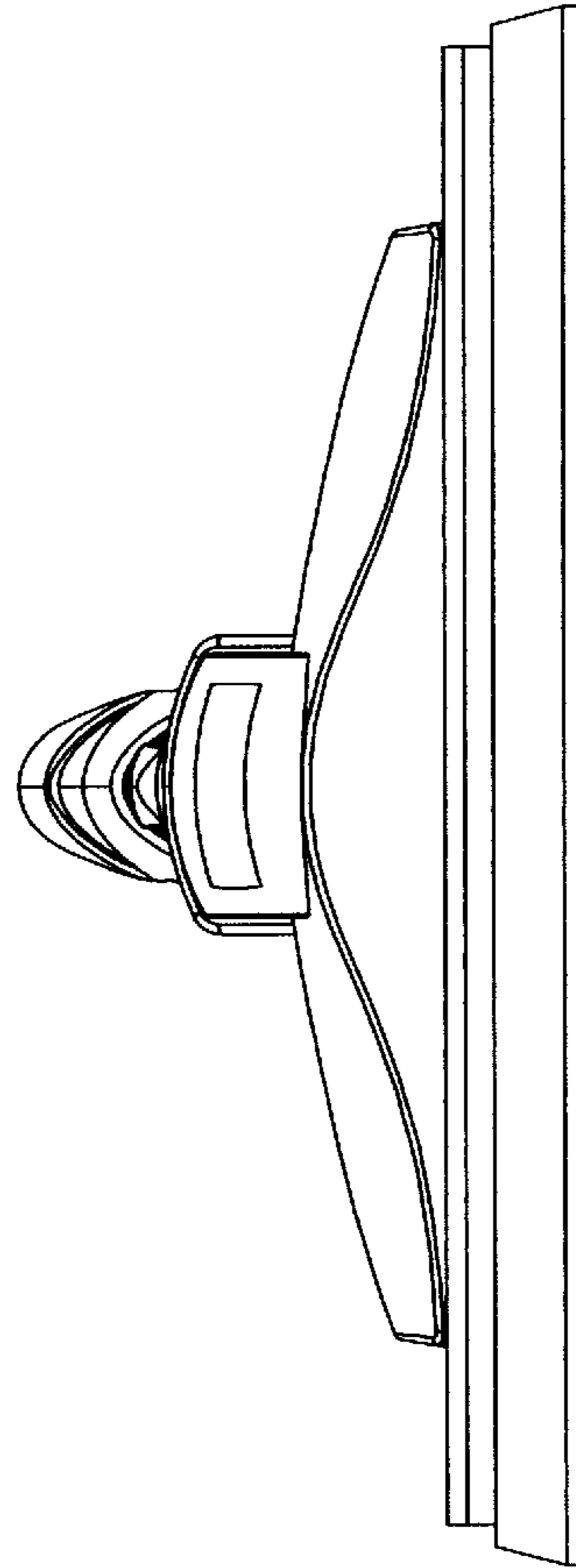


FIG. 3



FIG. 4

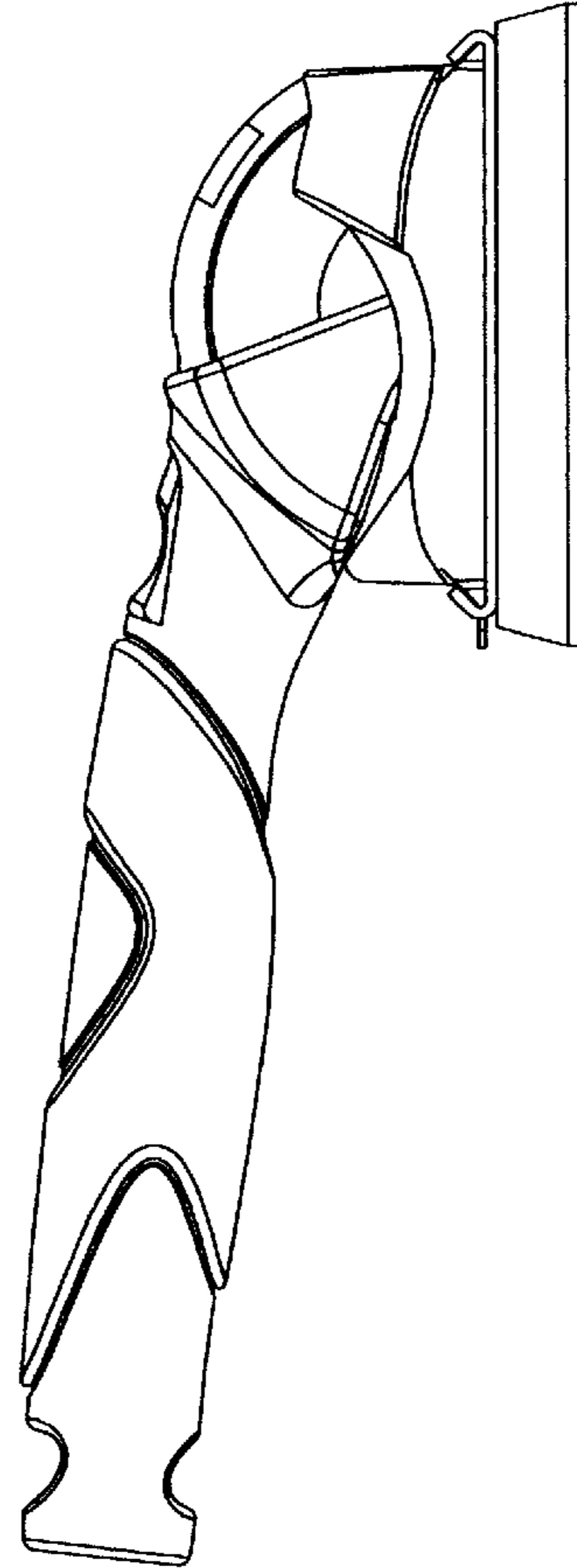


FIG. 5

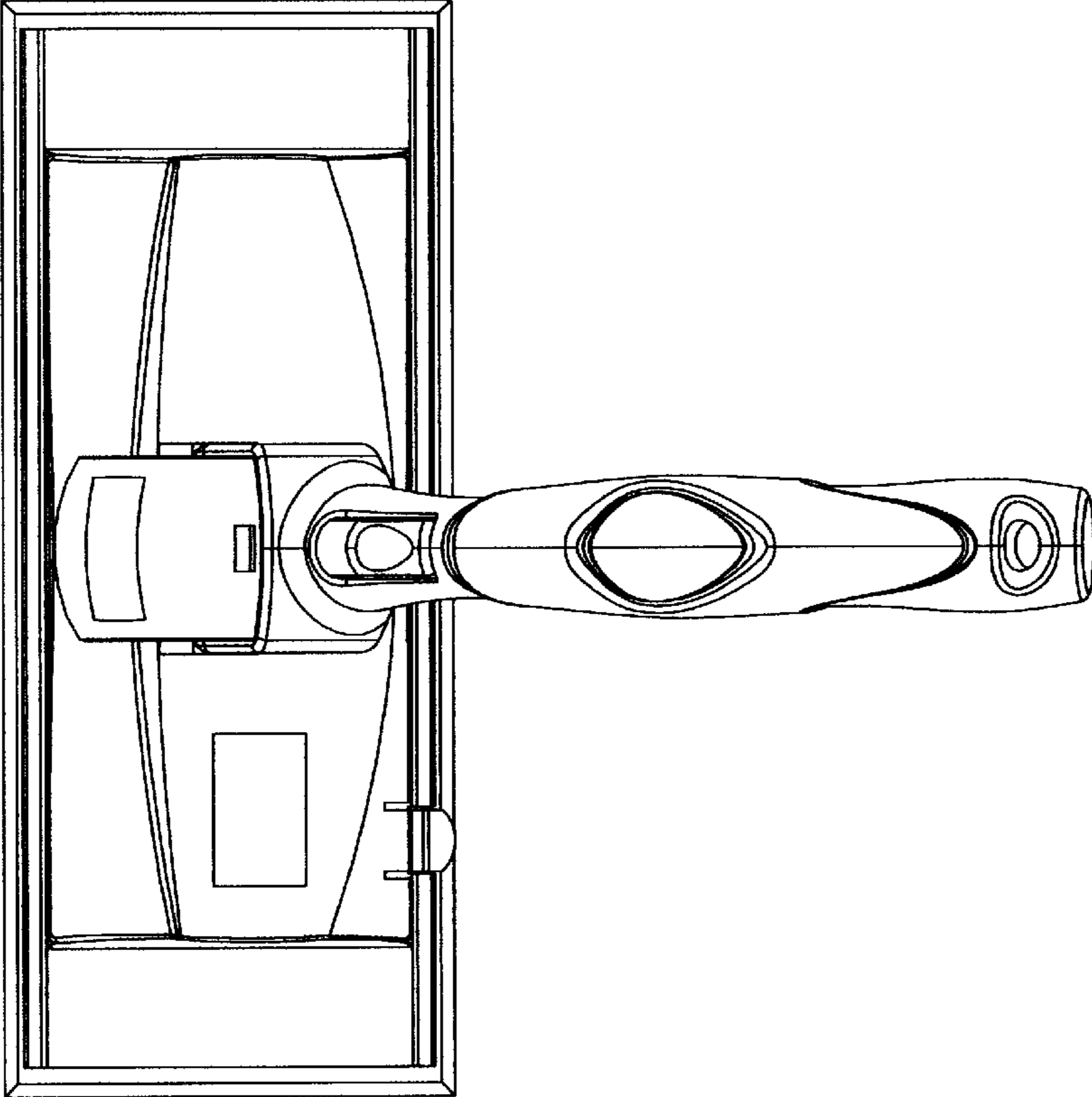


FIG. 6

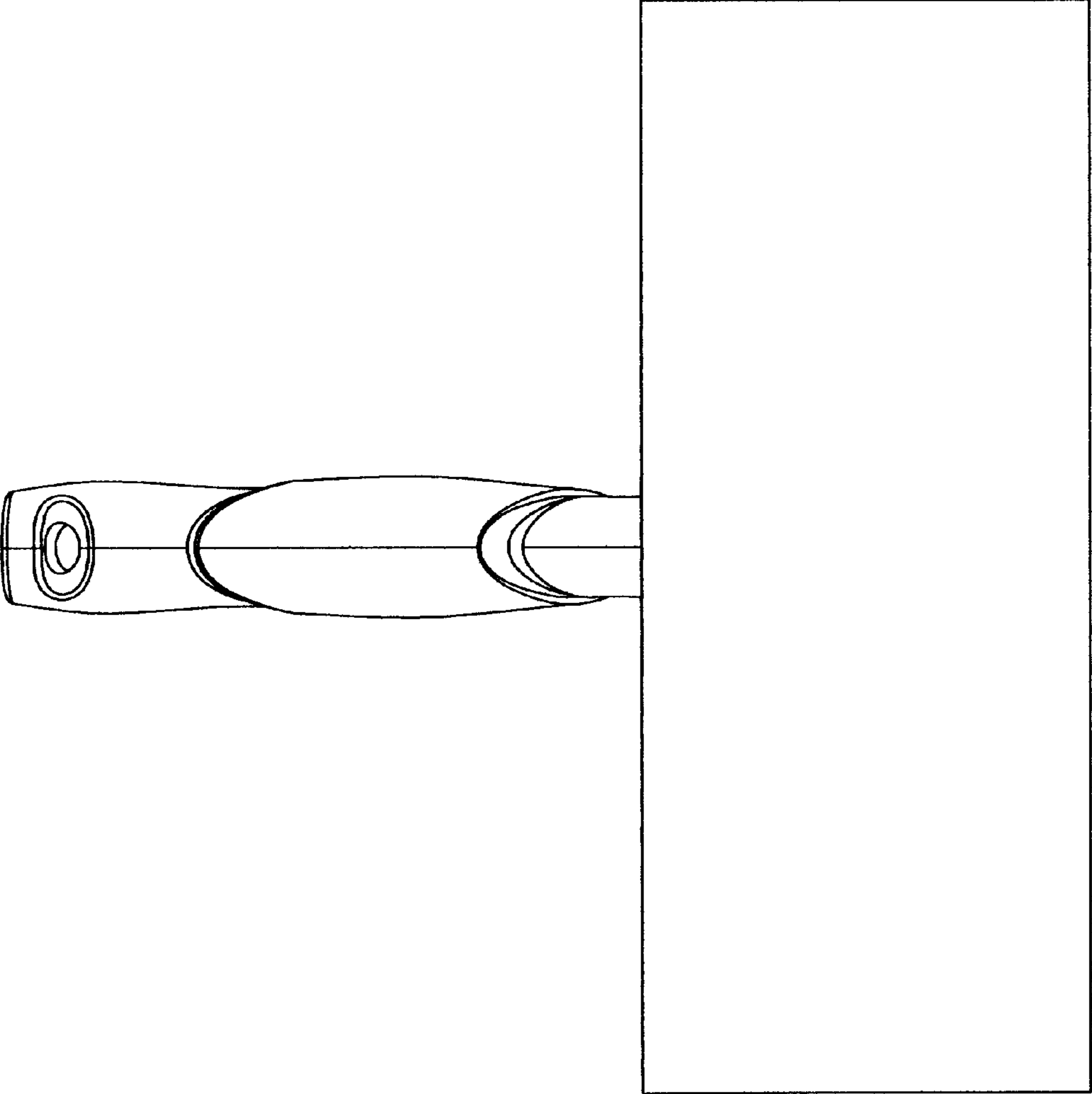


FIG. 7

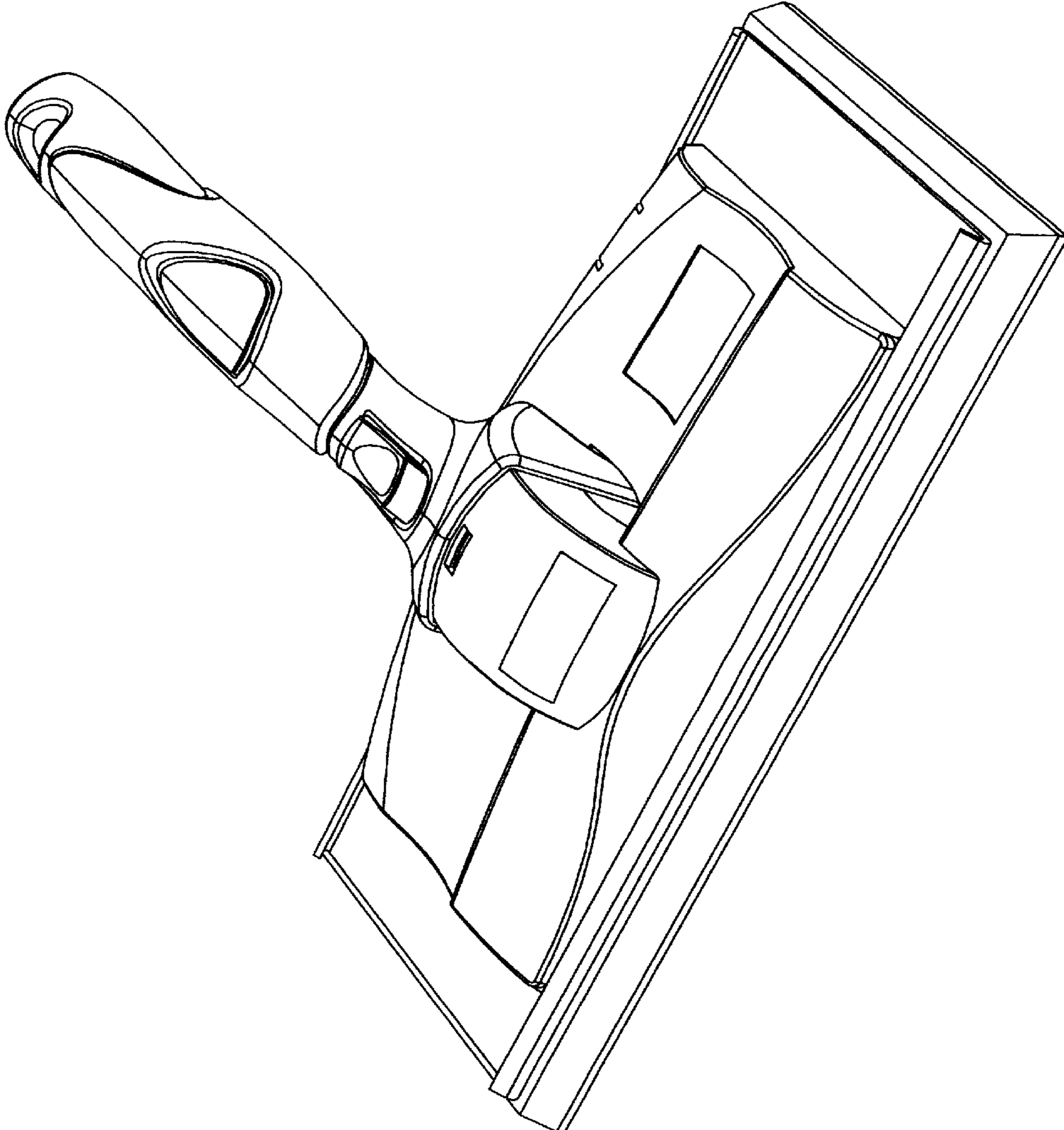


FIG. 8