

US00D527530S

(12) **United States Design Patent**  
**Ajluni et al.**

(10) **Patent No.:** **US D527,530 S**

(45) **Date of Patent:** **\*\* Sep. 5, 2006**

(54) **BRUSH**

(75) Inventors: **Sherry Ajluni**, Cumming, GA (US);  
**Jeff DeBoer**, Ann Arbor, MI (US);  
**Michael Nellenbach**, Clawson, MI (US)

(73) Assignee: **The Evercare Company**, Alpharetta, GA (US)

(\*\*) Term: **14 Years**

(21) Appl. No.: **29/234,956**

(22) Filed: **Jul. 26, 2005**

(51) **LOC (8) Cl.** ..... **04-01**

(52) **U.S. Cl.** ..... **D4/130; D4/136**

(58) **Field of Classification Search** ..... D4/129,  
D4/130, 132, 135, 136, 138, 199; 15/146,  
15/159.1, 160, 168, 171, 186-188, 191.1,  
15/192, 193

See application file for complete search history.

(56) **References Cited**

**U.S. PATENT DOCUMENTS**

D42,597 S \* 6/1912 Webster ..... D4/130

D82,193 S \* 9/1930 Tourtois ..... D4/129  
D99,111 S \* 3/1936 Bickel ..... D4/132  
D404,575 S \* 1/1999 Vetter ..... D4/130  
D509,658 S \* 9/2005 Swyst et al. .... D4/130

**OTHER PUBLICATIONS**

Sparta Brushes for Food Service, Catalog No. 300, Sparta Brush Co., Sparta Wisconsin, Feb. 1978, Truck and Wall Brush—Item No. 778, p. 12.\*

\* cited by examiner

*Primary Examiner*—Alan P. Douglas  
*Assistant Examiner*—Lavone D. Tabor

(74) *Attorney, Agent, or Firm*—Gifford, Krass, Groh, Sprinkle, Anderson & Citowski, P.C.

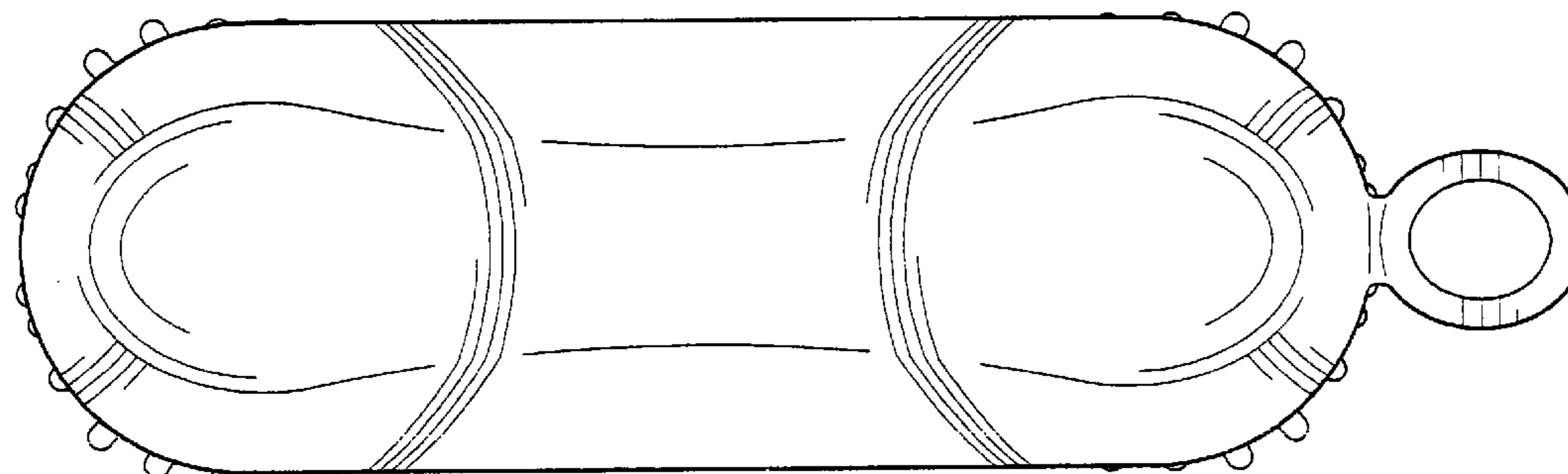
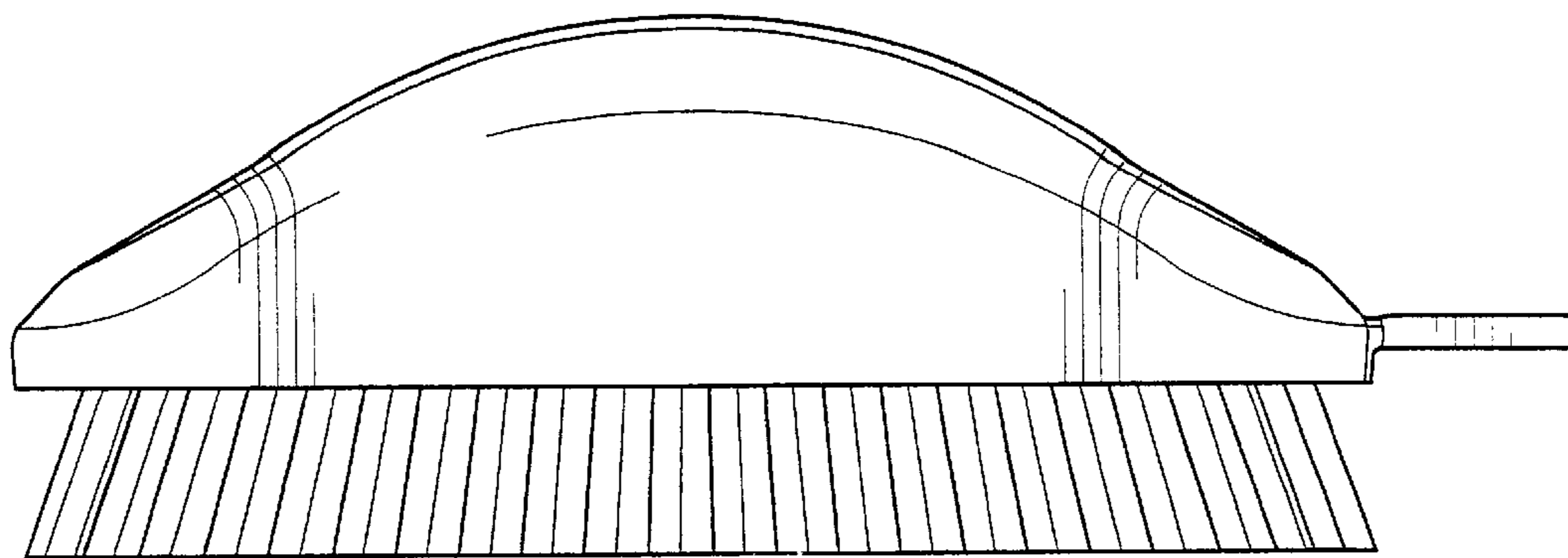
(57) **CLAIM**

I claim the ornamental design for a brush, as shown.

**DESCRIPTION**

FIG. 1 is a front view of the brush of the present invention; FIG. 2 is a top view thereof; FIG. 3 is a right side view thereof; and, FIG. 4 is a left side view thereof.

**1 Claim, 1 Drawing Sheet**



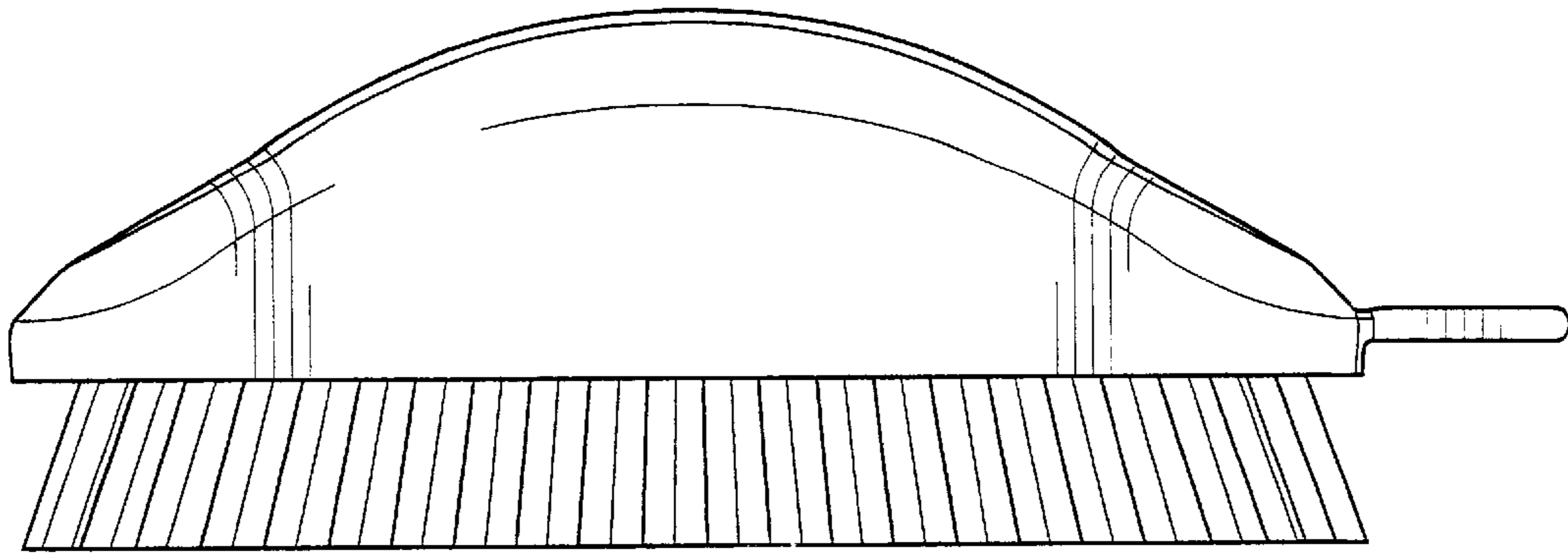


Fig-1

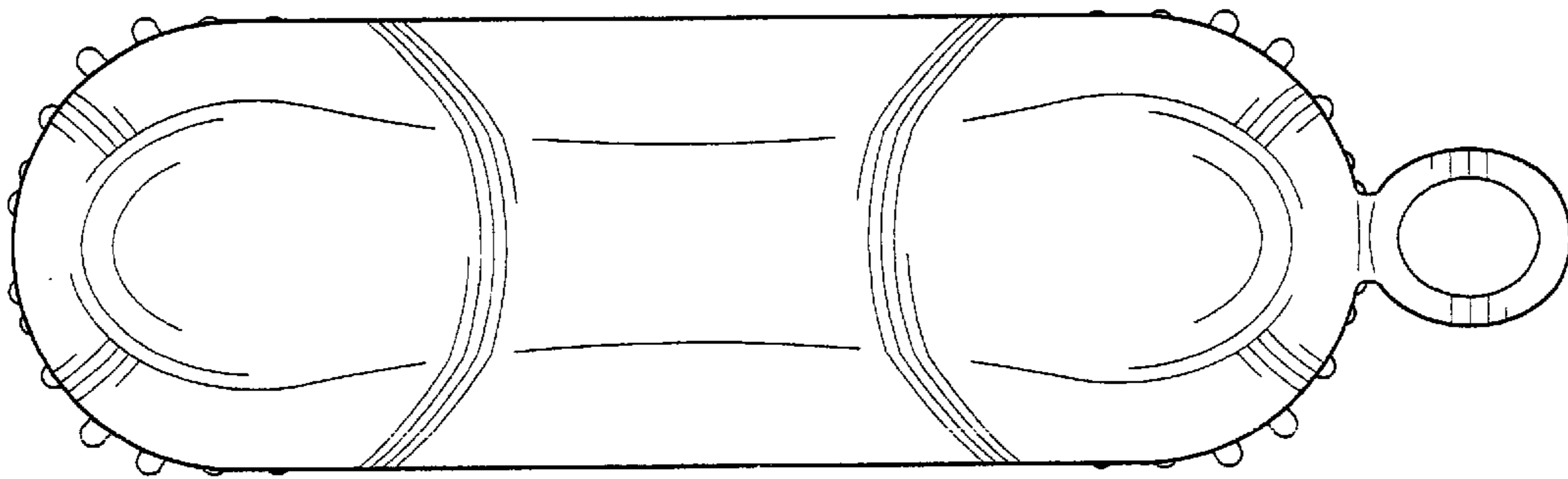


Fig-2

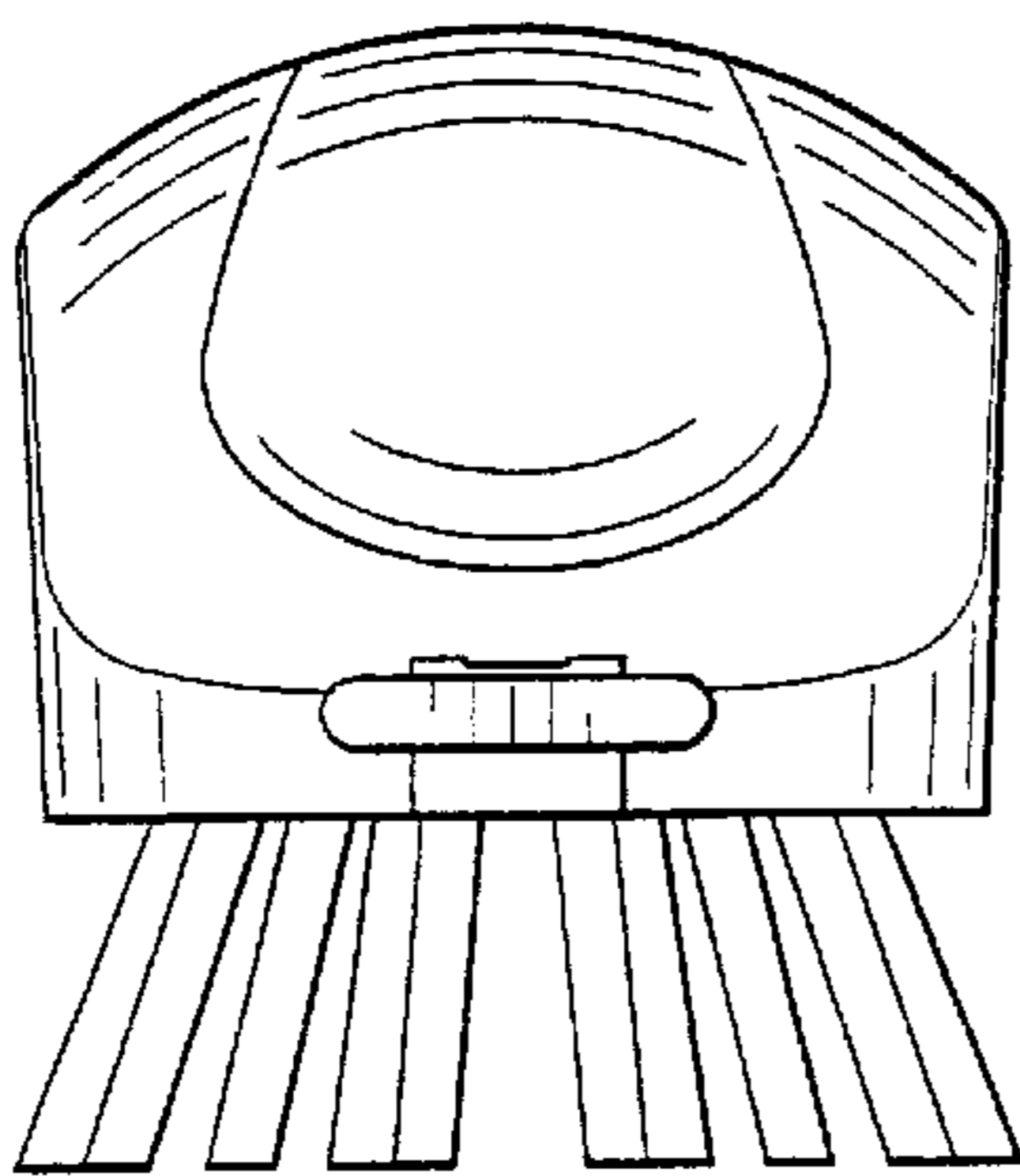


Fig-3

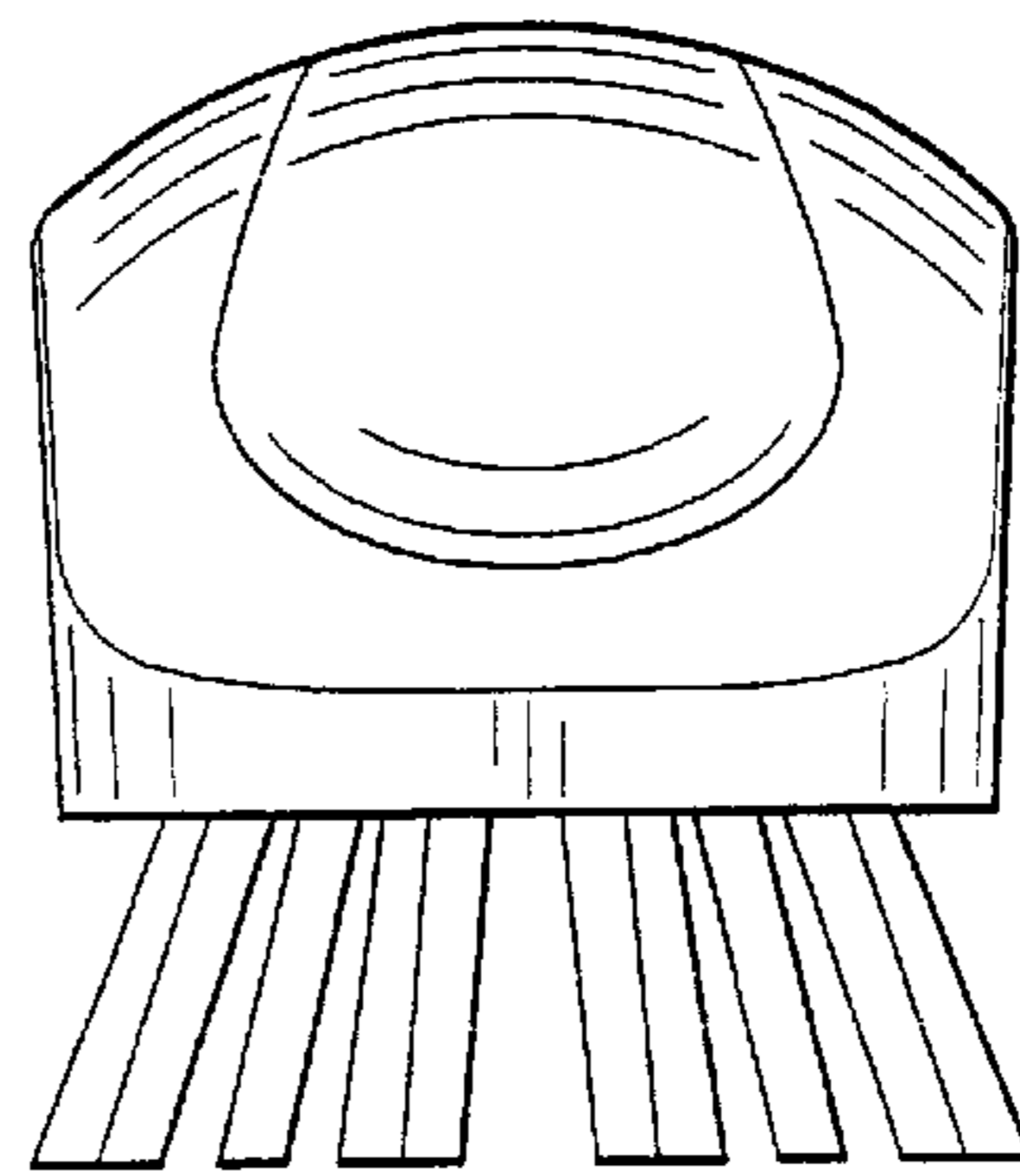


Fig-4