



US00D527522S

(12) **United States Design Patent**  
**Kammerer**

(10) **Patent No.:** **US D527,522 S**  
(45) **Date of Patent:** **\*\* Sep. 5, 2006**

(54) **TOOLBOX**

(75) Inventor: **Karl Kammerer**, Fluorn-Winzeln (DE)

(73) Assignee: **BETEK Bergbau- und  
Hartmetalltechnik Karl-Heinz Simon  
GmbH & Co. KG**, Aichhalden (DE)

(\*\*) Term: **14 Years**

(21) Appl. No.: **29/217,104**

(22) Filed: **Nov. 12, 2004**

(30) **Foreign Application Priority Data**

May 13, 2004 (DE) ..... 4 04 02 979

(51) **LOC (8) Cl.** ..... **03-01**

(52) **U.S. Cl.** ..... **D3/291; D3/905**

(58) **Field of Classification Search** ..... D3/273,  
D3/276, 281-282, 284, 291, 294-295, 905;  
206/349, 372-373, 378; 312/902  
See application file for complete search history.

(56) **References Cited**

**U.S. PATENT DOCUMENTS**

D183,777 S \* 10/1958 Weiss ..... D3/280  
D240,955 S \* 8/1976 Setten ..... D21/483  
D355,828 S \* 2/1995 Dickinson et al. .... D25/63  
D356,891 S \* 4/1995 Hobson ..... D3/294  
D373,247 S \* 9/1996 Dickinson et al. .... D3/282

D381,512 S \* 7/1997 Green ..... D3/294  
D389,309 S \* 1/1998 Shaw ..... D3/294  
D434,225 S \* 11/2000 Story et al. .... D3/281  
6,318,586 B1 \* 11/2001 Frankenberg ..... 220/826  
D459,073 S \* 6/2002 Lee ..... D3/276  
D462,168 S \* 9/2002 Klemmensen et al. .... D3/279

**OTHER PUBLICATIONS**

Betty Mills, Cleaning and Maintenance (catalog), 2004, p. 240: (A).\*

\* cited by examiner

*Primary Examiner*—Philip S. Hyder

*Assistant Examiner*—RoseLynne (Ulm) Cody

(74) *Attorney, Agent, or Firm*—Pauley Petersen & Erickson

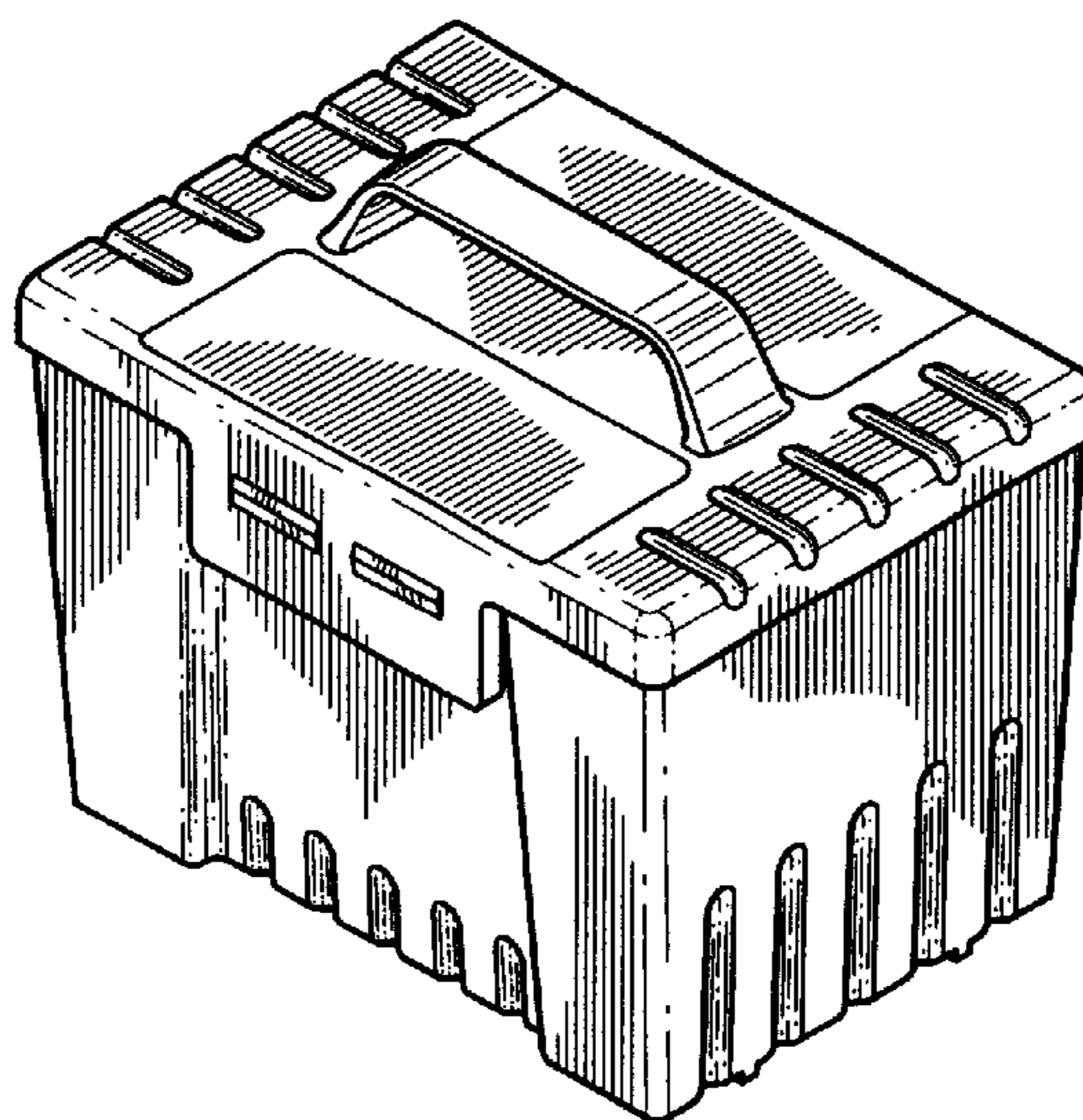
(57) **CLAIM**

The ornamental design for a toolbox, as shown.

**DESCRIPTION**

FIG. 1 is a front perspective view of a toolbox, according to one embodiment of this invention; FIG. 2 is a front view of the toolbox, as shown in FIG. 1; FIG. 3 is a rear view of the toolbox, as shown in FIG. 1; FIG. 4 is a top view of the toolbox, as shown in FIG. 1; FIG. 5 is a bottom view of the toolbox, as shown in FIG. 1; FIG. 6 is a side view of the toolbox, as shown in FIG. 1; and, FIG. 7 is a side view, opposite the side view shown in FIG. 6, of the toolbox, as shown in FIG. 1.

**1 Claim, 4 Drawing Sheets**



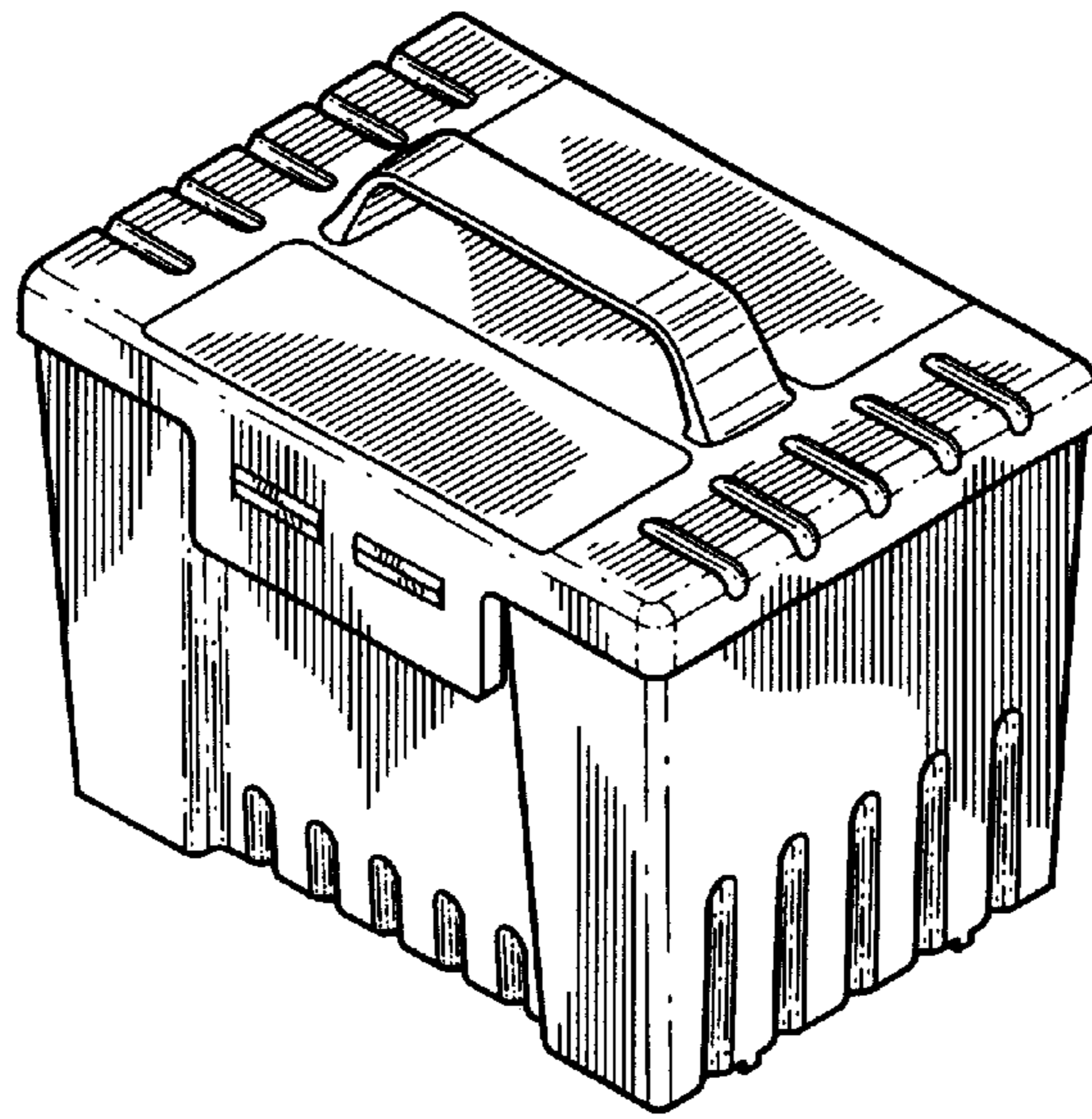


FIG. 1

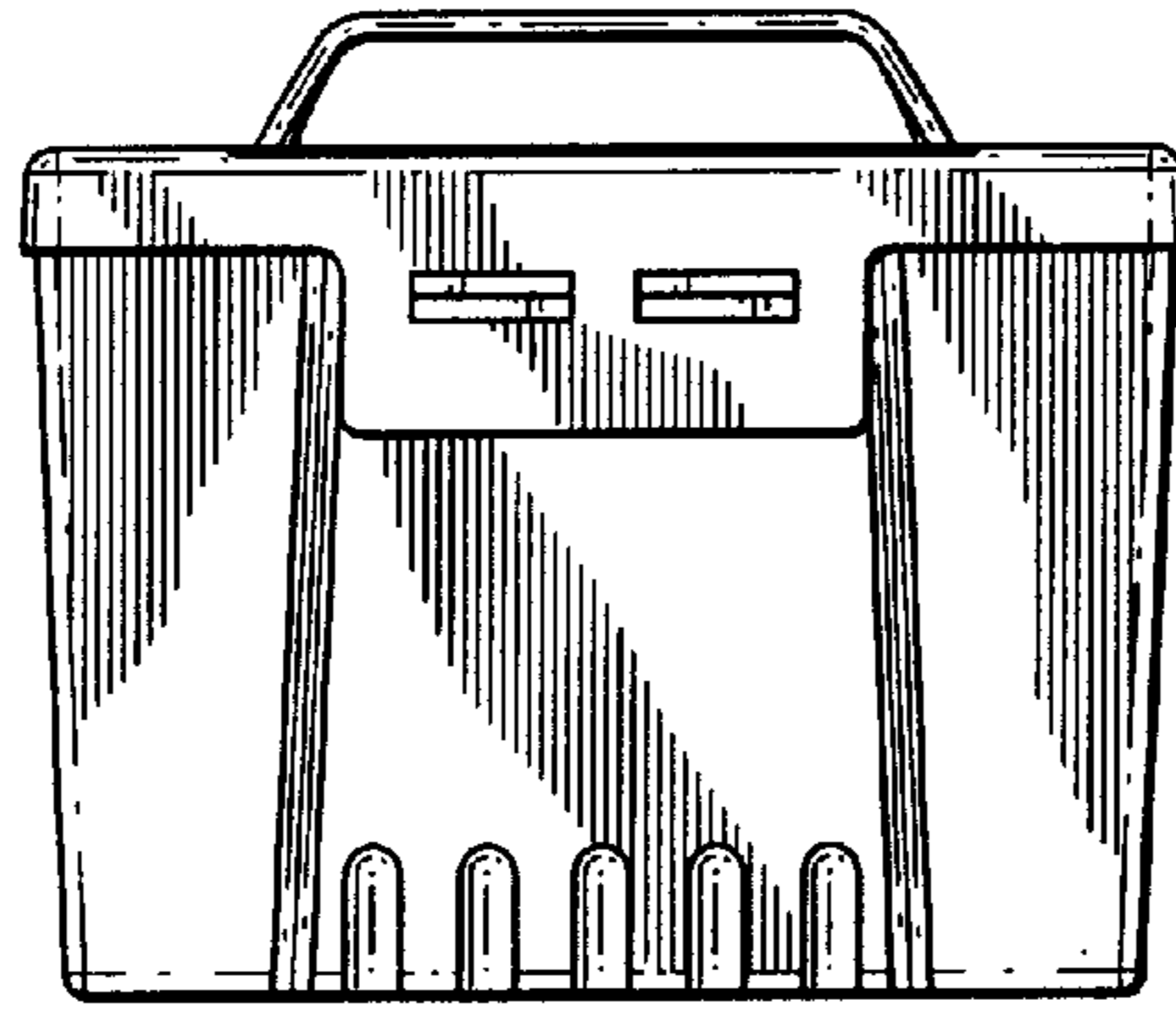


FIG. 2

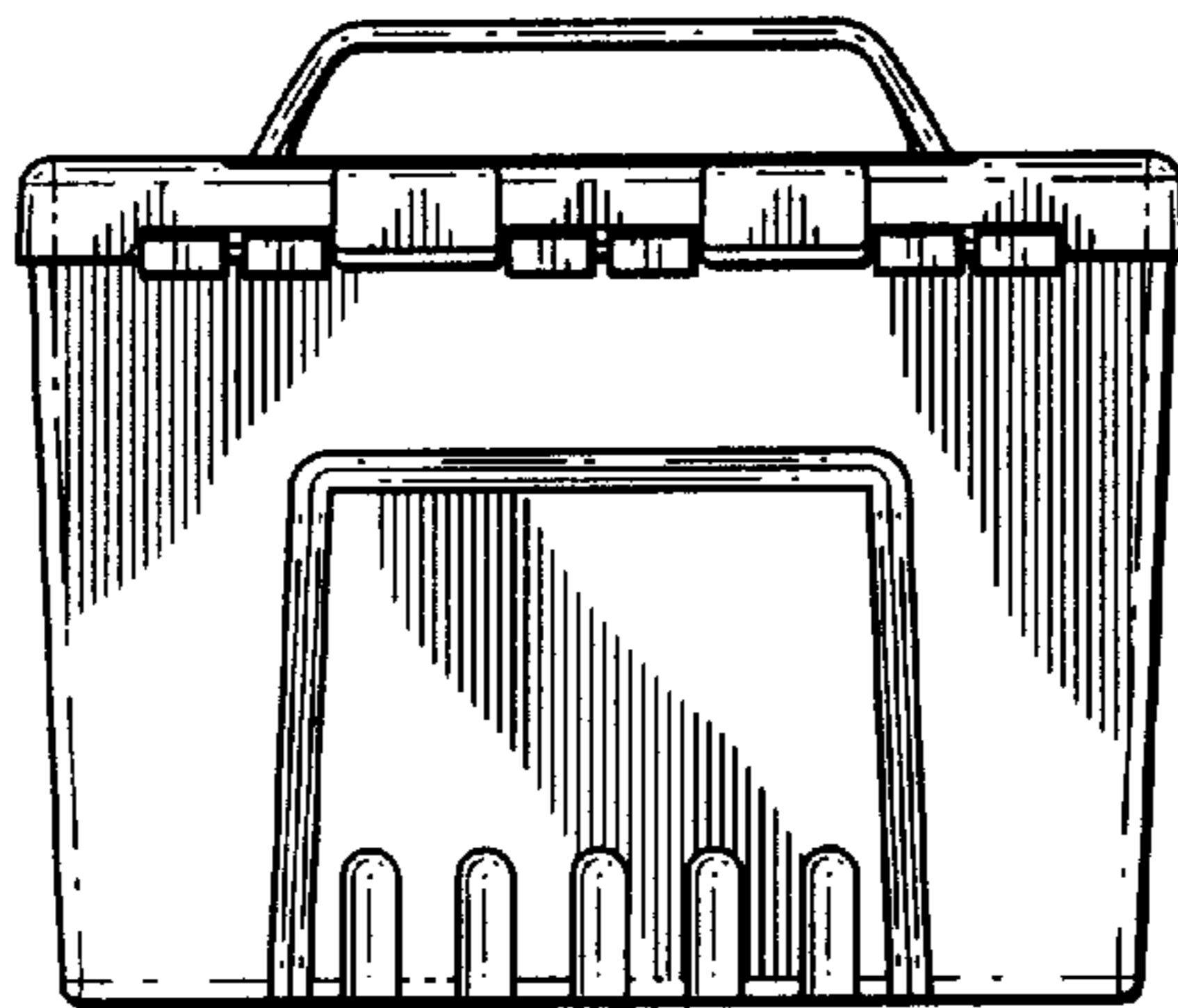


FIG. 3

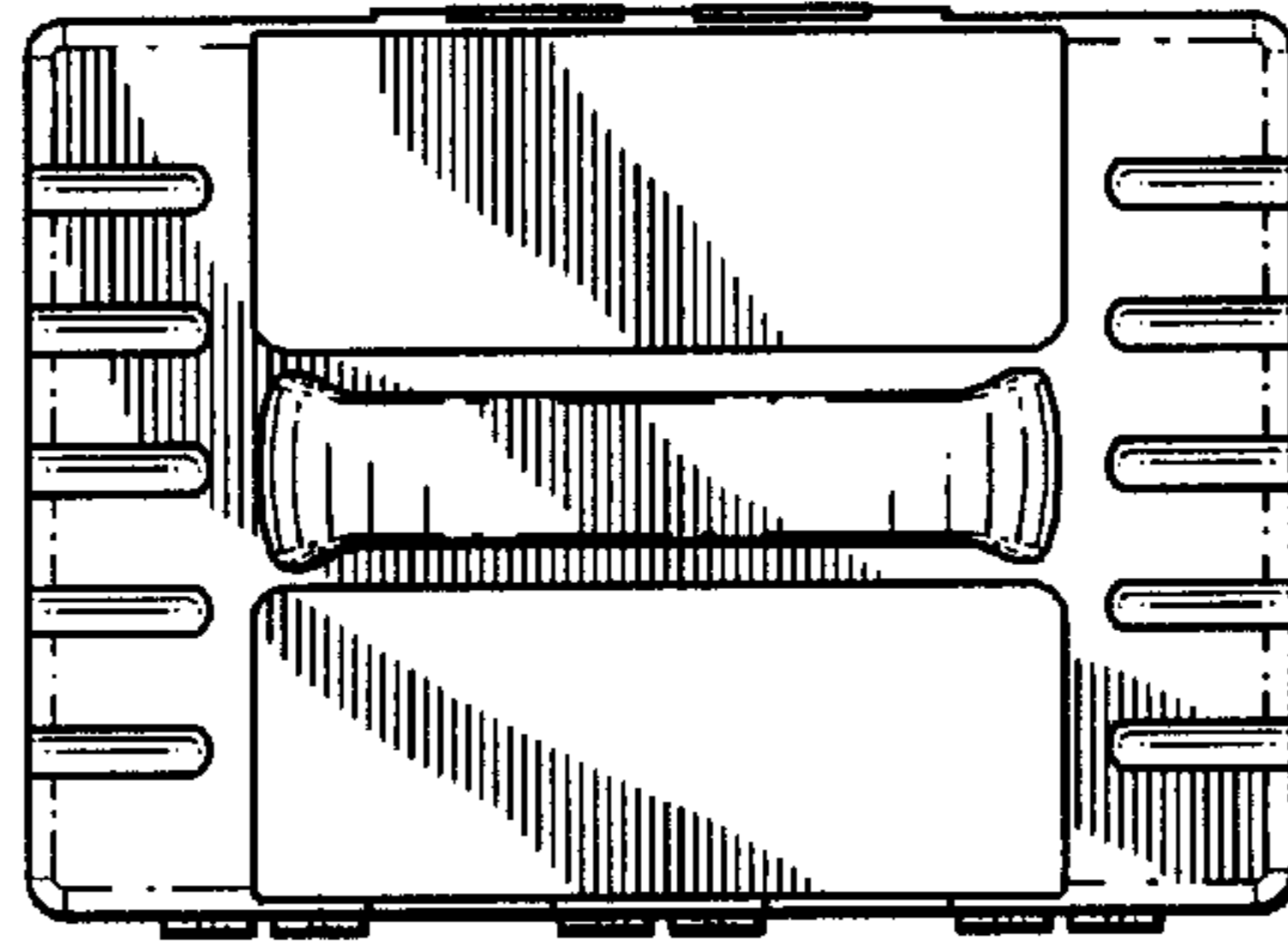


FIG. 4

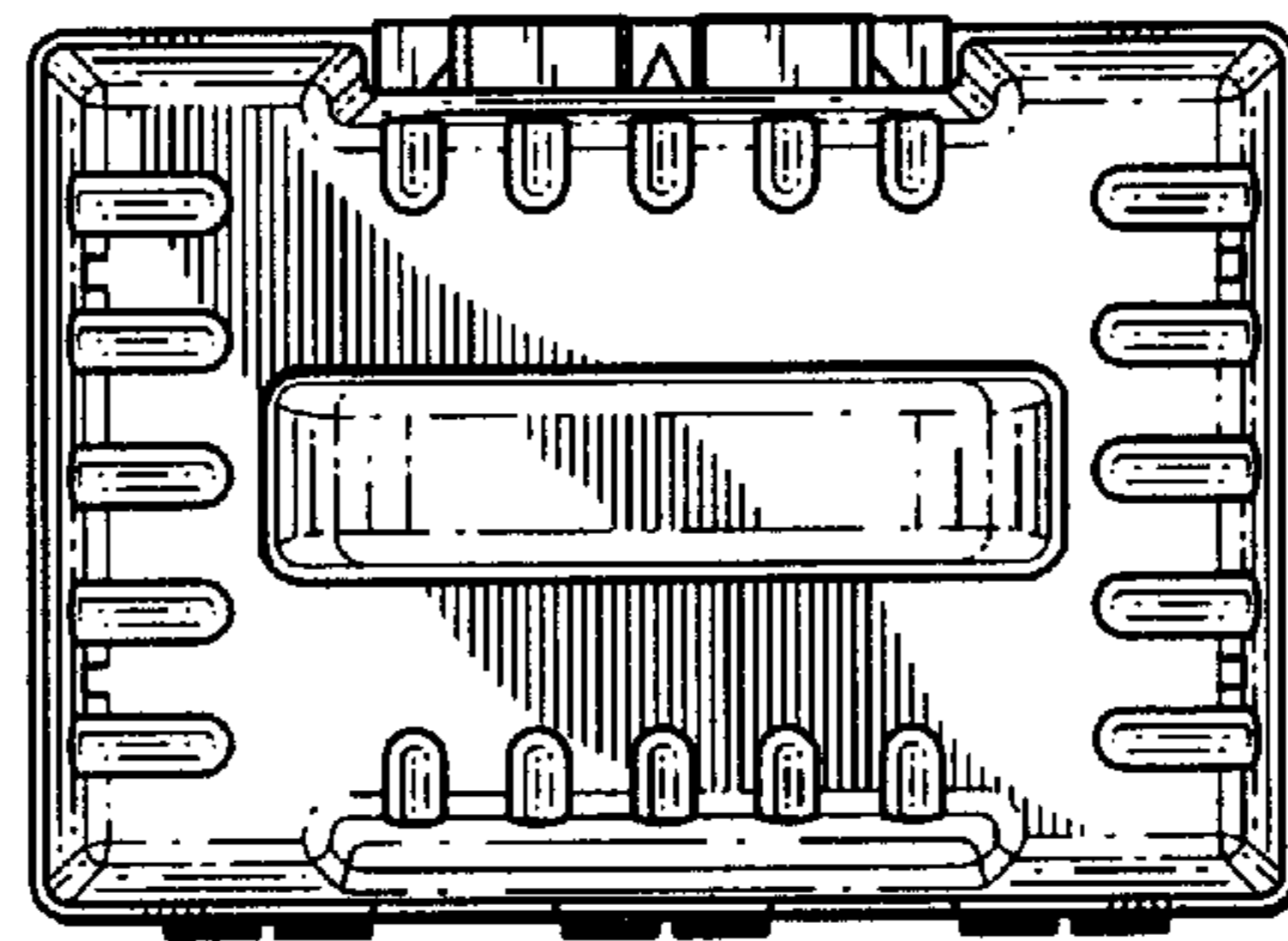


FIG. 5

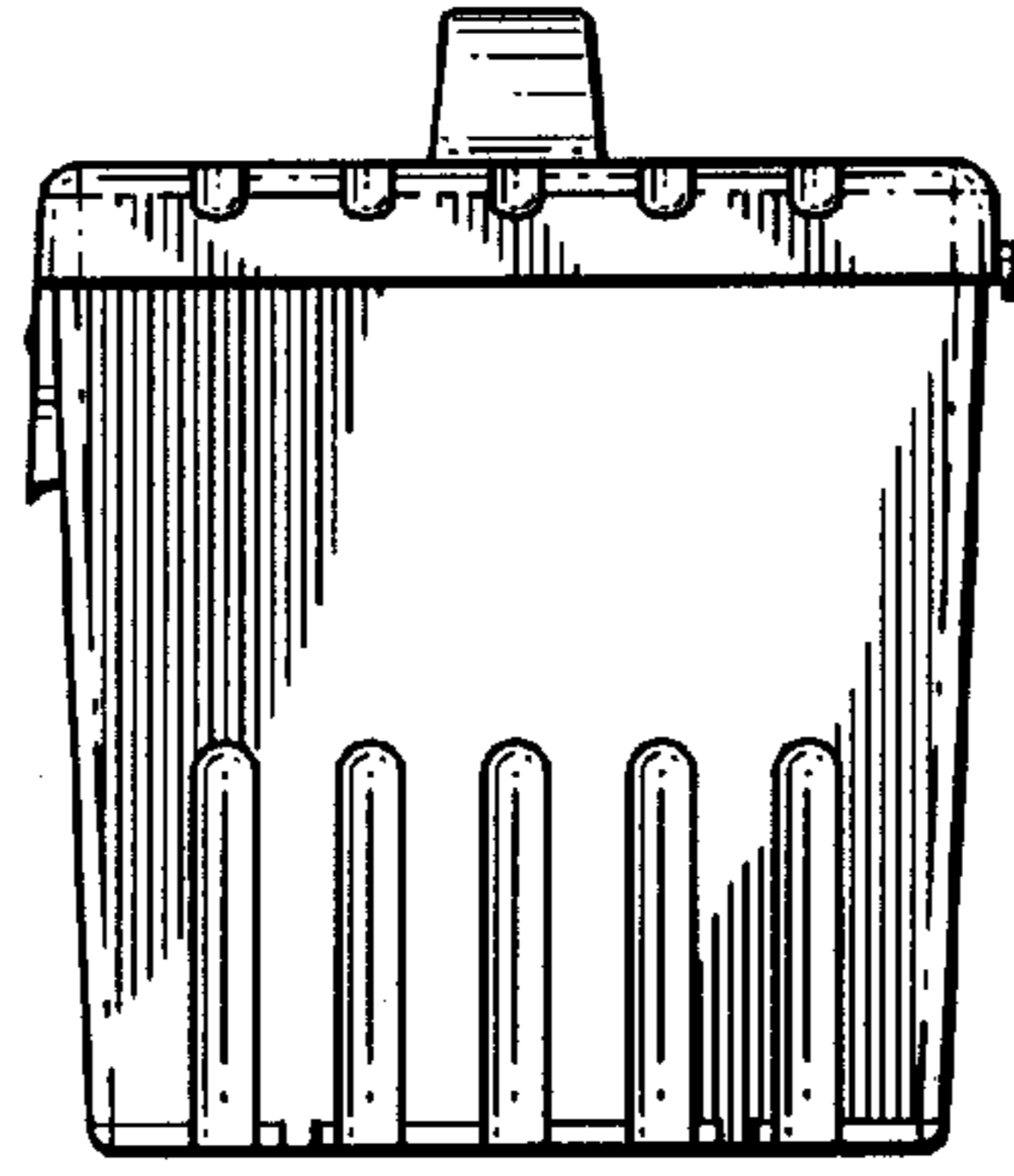


FIG. 6

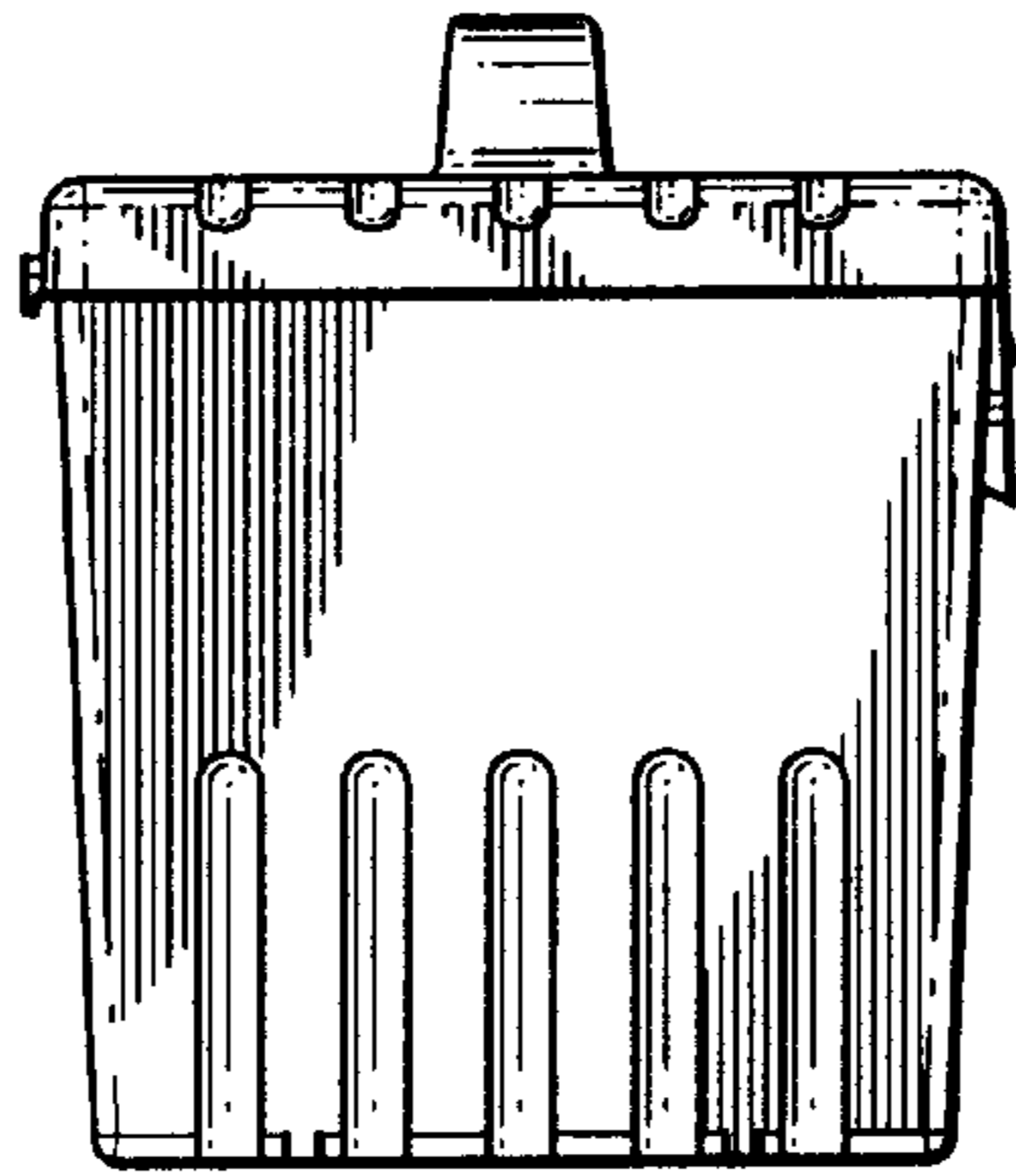


FIG. 7