



US00D527510S

(12) **United States Design Patent**
Thomas

(10) **Patent No.:** **US D527,510 S**

(45) **Date of Patent:** **** Aug. 29, 2006**

(54) **BLESSED CROSS MEZUZAH**

(76) **Inventor:** **Nora Rose Thomas**, 7801 NW. 38th St., Coral Springs, FL (US) 33065

(**) **Term:** **14 Years**

(21) **Appl. No.:** **29/244,669**

(22) **Filed:** **Dec. 13, 2005**

(51) **LOC (8) Cl.** **11-02**

(52) **U.S. Cl.** **D99/25**; D99/27

(58) **Field of Classification Search** D99/17, D99/18, 19, 23, 25, 26, 27; D11/1, 2, 79, D11/81, 96, 121, 122; 206/8, 19, 39, 232; 40/124.5; 63/1.1, 2, 200; D26/94

See application file for complete search history.

(56) **References Cited**

U.S. PATENT DOCUMENTS

D33,602 S	*	11/1900	Bick	D99/18
D79,494 S		9/1929	Goldberg		
2,347,681 A		5/1944	Goudreau		
2,514,739 A		7/1950	Brennan		
D194,369 S	*	1/1963	Kampf	D99/27
D223,030 S	*	2/1972	Dombi	D11/184

D226,624 S	*	4/1973	Maze	D99/27
D300,079 S	*	2/1989	Smith	D99/27
D338,081 S	*	8/1993	Klaffer	D26/94
D379,330 S	*	5/1997	Krizan	D11/96
6,006,900 A		12/1999	Hasten		
D419,746 S		1/2000	Charny		

* cited by examiner

Primary Examiner—Paula A. Greene

(74) *Attorney, Agent, or Firm*—Carol N. Green, Esq.

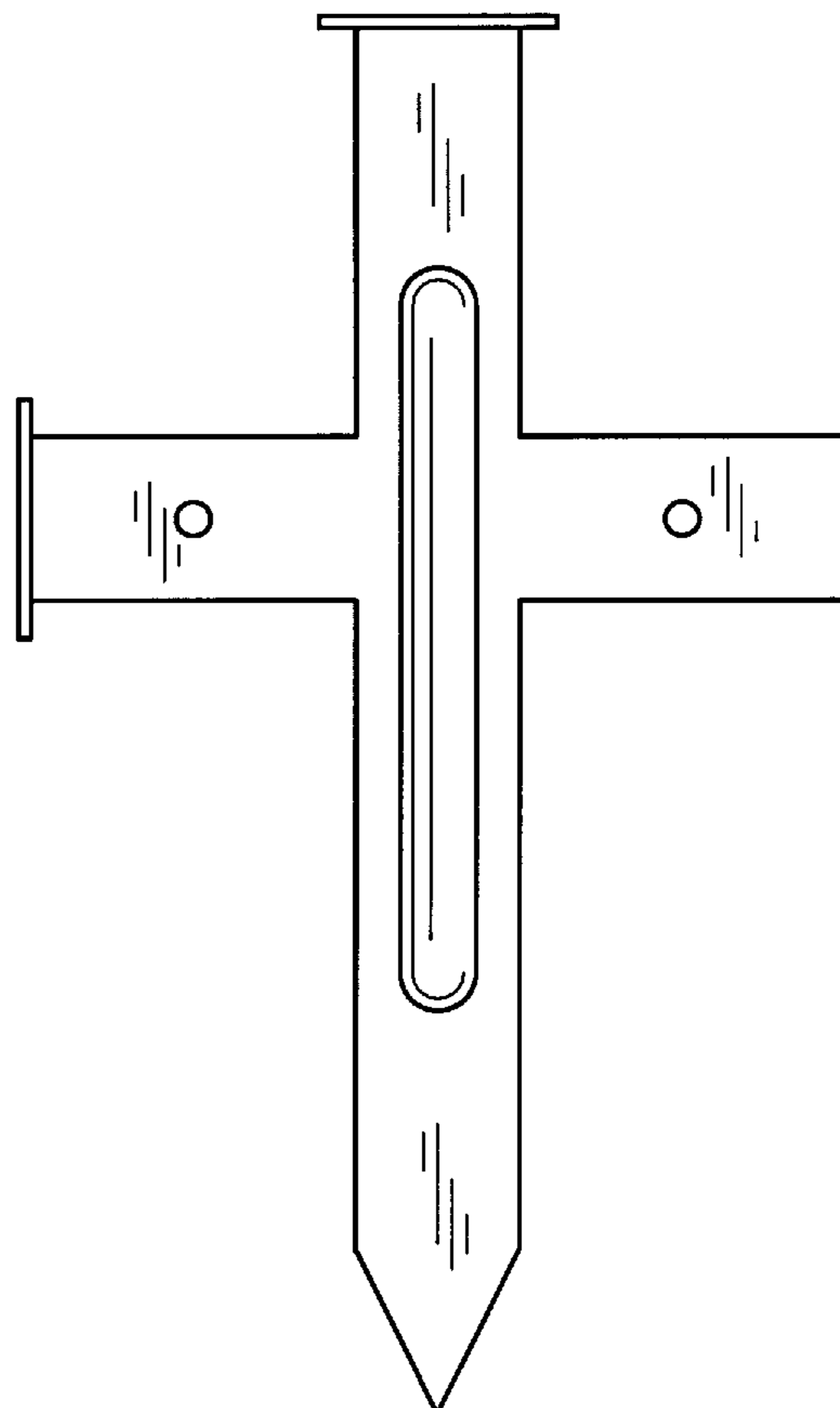
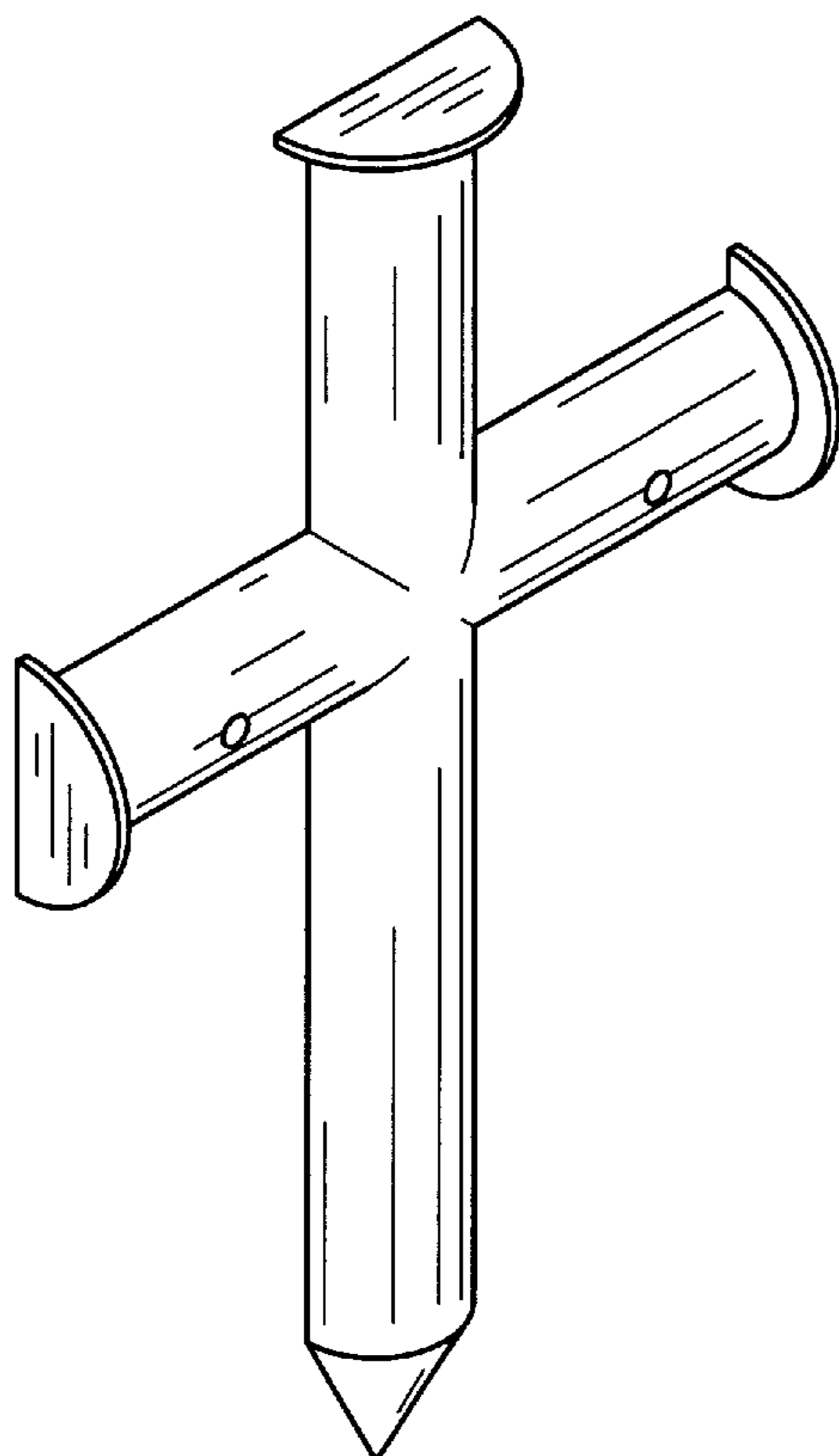
(57) **CLAIM**

The ornamental design for a blessed cross mezuzah, as shown and described.

DESCRIPTION

FIG. 1 is a front perspective view of a blessed cross mezuzah showing my new design;
 FIG. 2 is a rear perspective view thereof;
 FIG. 3 is a front elevational view thereof;
 FIG. 4 is a rear elevational view thereof;
 FIG. 5 is a left side elevational view thereof, the right side is a mirror image;
 FIG. 6 is a top plan view thereof; and,
 FIG. 7 is a bottom plan view thereof.

1 Claim, 3 Drawing Sheets



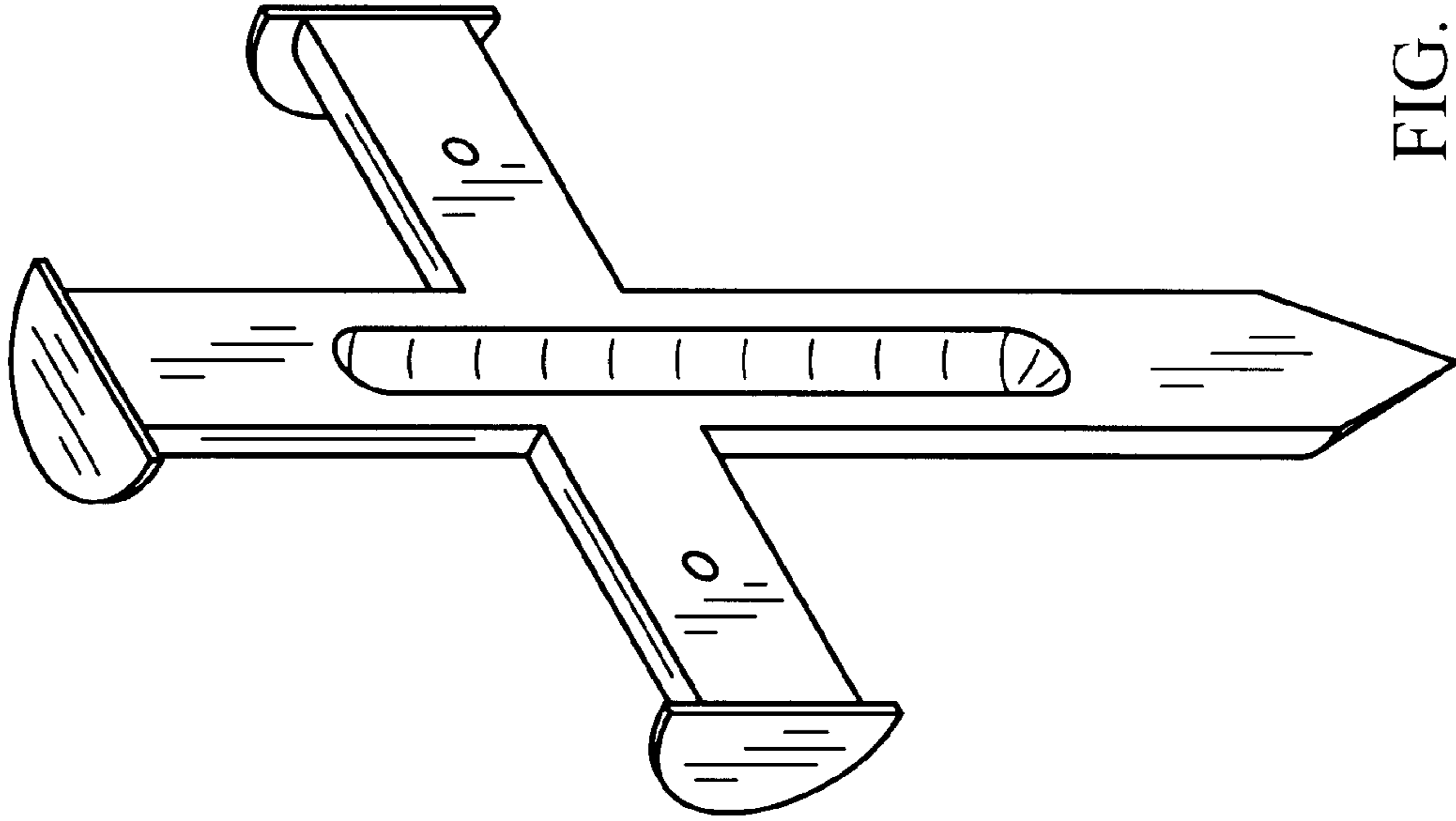


FIG. 1

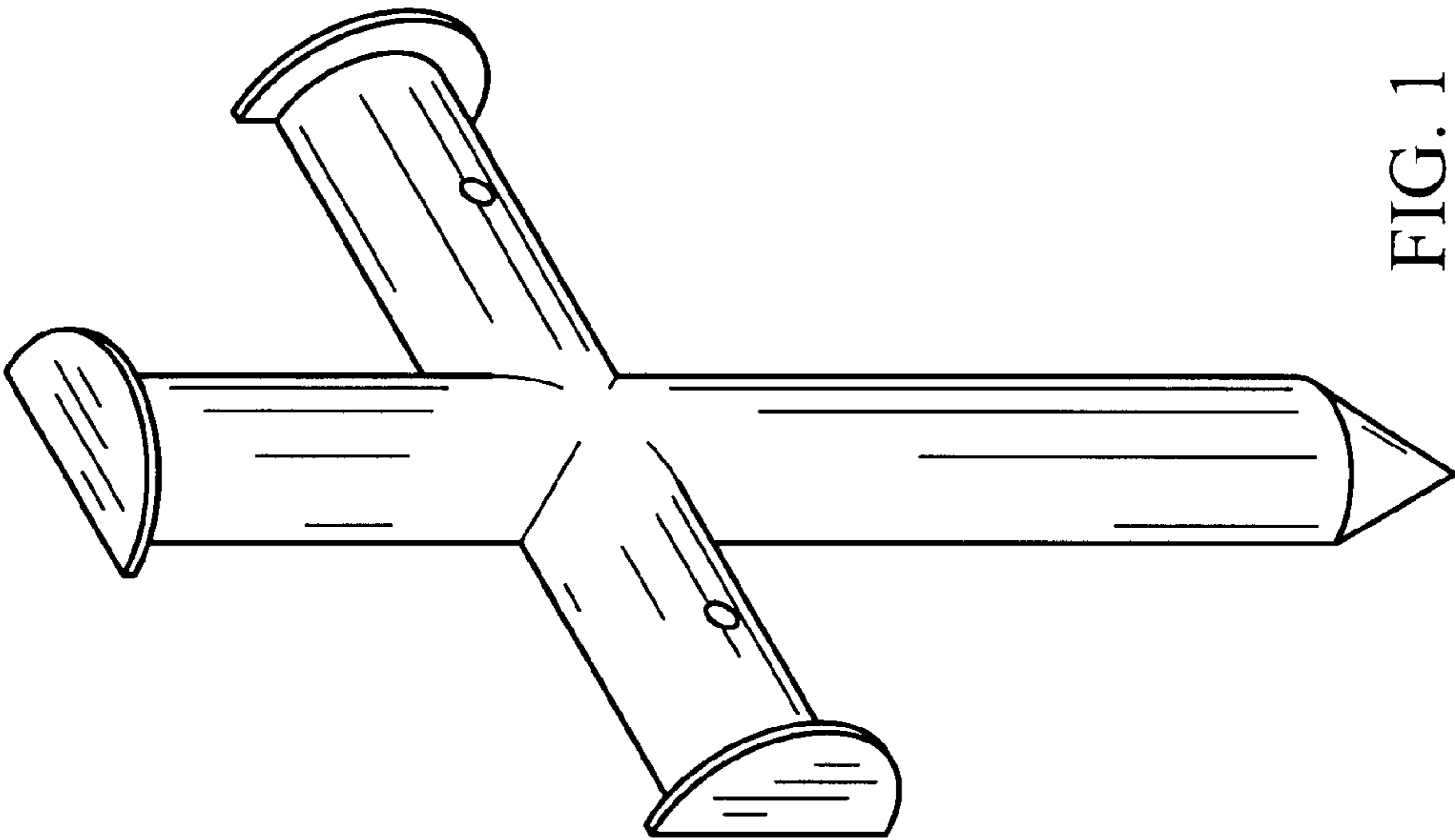
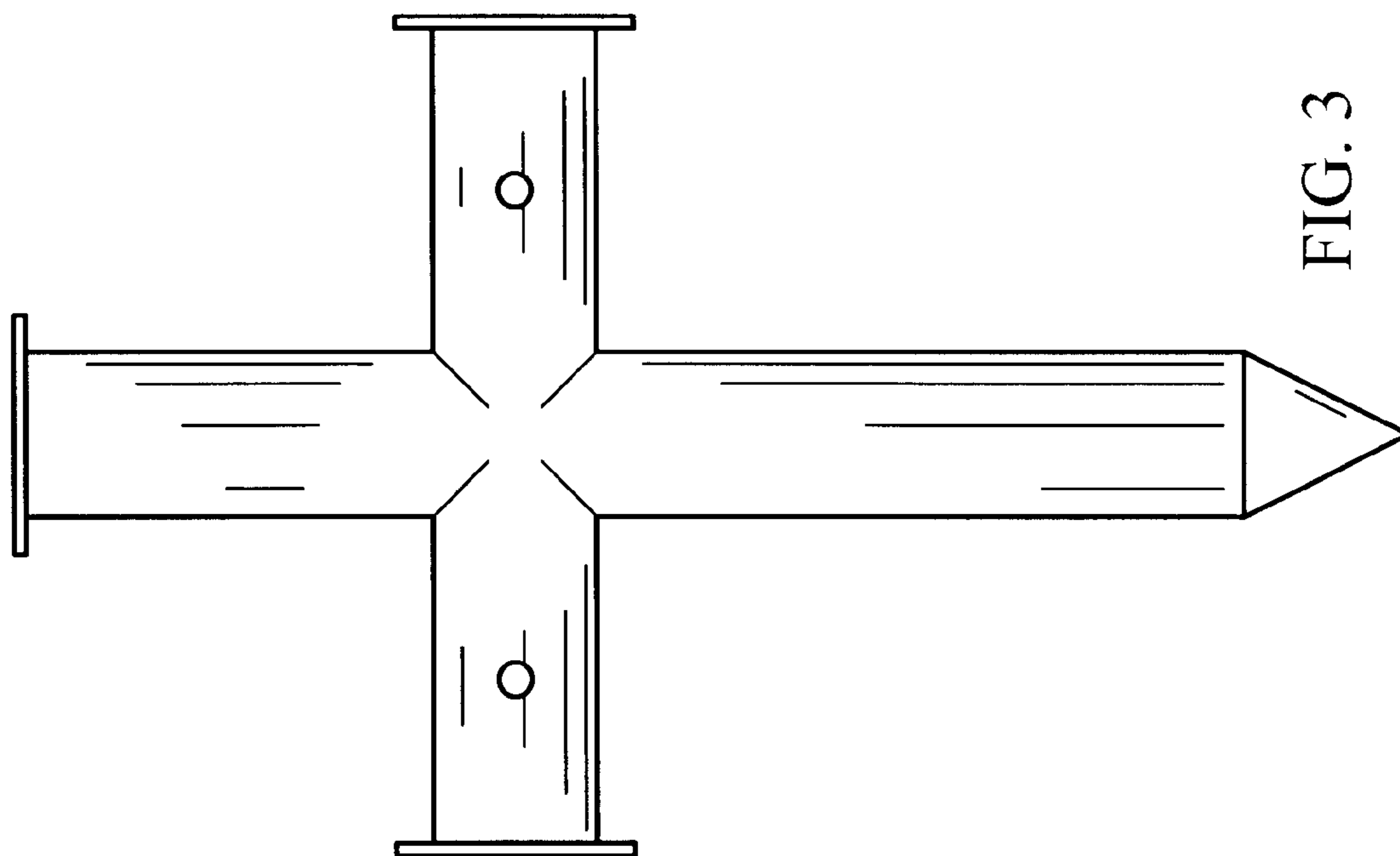
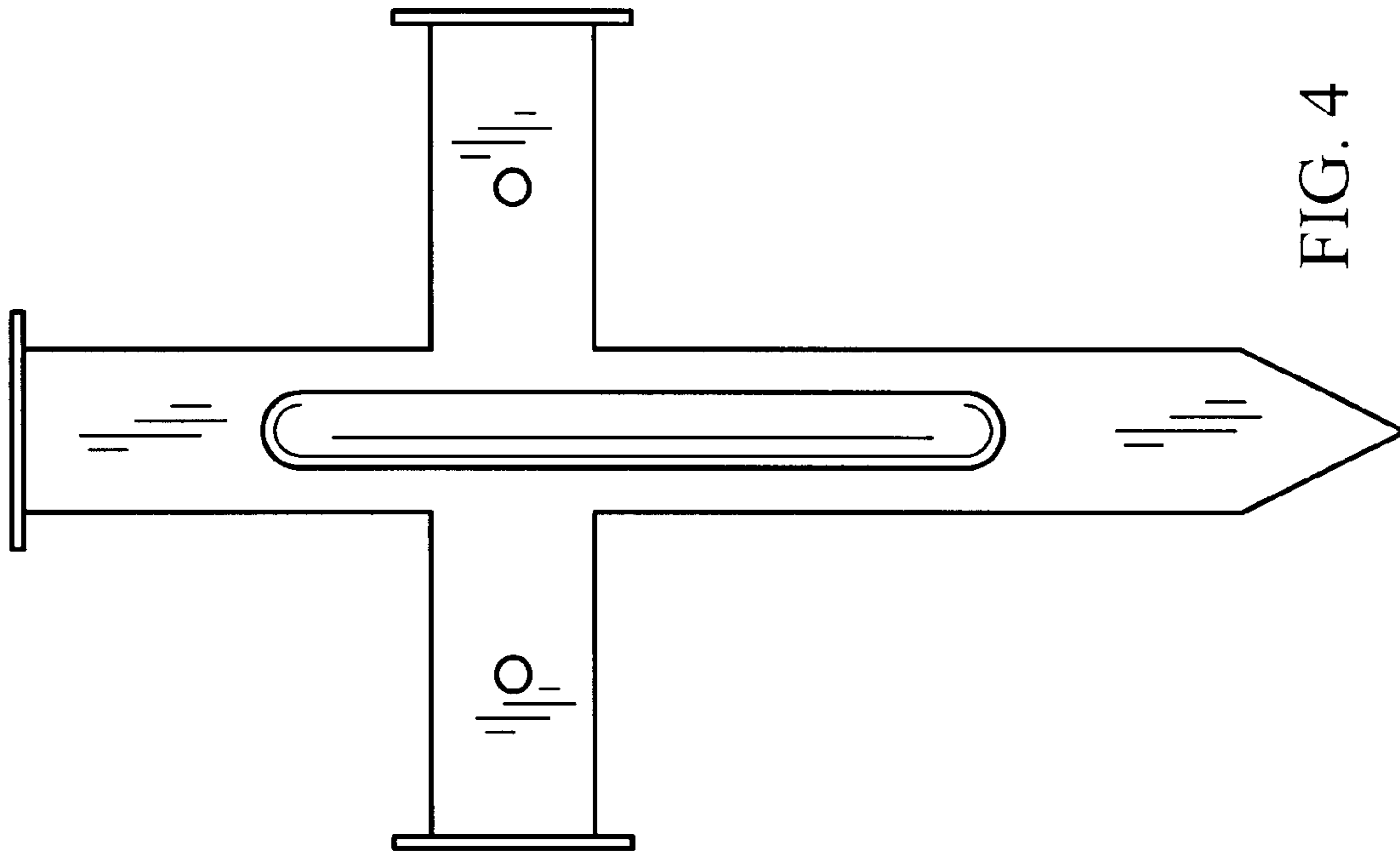


FIG. 2



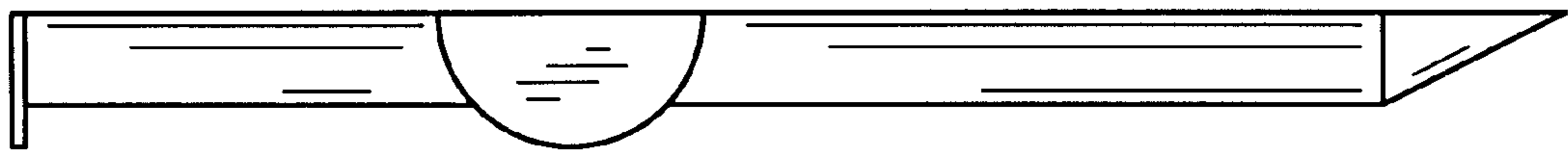


FIG. 5



FIG. 6



FIG. 7