



US00D527509S

(12) **United States Design Patent**
Johns

(10) **Patent No.:** **US D527,509 S**

(45) **Date of Patent:** **** Aug. 29, 2006**

(54) **JACK**

(76) **Inventor:** **Bradley W. Johns**, 1250 Natchitoches Rd., West Monroe, LA (US) 71292

(**) **Term:** **14 Years**

(21) **Appl. No.:** **29/216,955**

(22) **Filed:** **Nov. 12, 2004**

(51) **LOC (8) Cl.** **12-05**

(52) **U.S. Cl.** **D34/31**

(58) **Field of Classification Search** D34/31;
254/126, 2 R, 93 H, 134, 420, DIG. 1, 423,
254/424, 86 H, 86 R, 30, 31, 132, 8 R, 8 B,
254/11, DIG. 3

See application file for complete search history.

(56) **References Cited**

U.S. PATENT DOCUMENTS

D206,386 S	*	12/1966	Vermette	D34/31
3,595,527 A	*	7/1971	Douglass	254/420
3,735,958 A	*	5/1973	Hollingsworth	254/2 R
D269,473 S	*	6/1983	Jonsson	D34/31
4,482,130 A	*	11/1984	Paredes	254/8 R

D331,994 S	*	12/1992	Kinn	D34/34
D357,106 S	*	4/1995	Francis et al.	D34/31
D388,925 S	*	1/1998	Hulegaard et al.	D34/31
5,911,408 A	*	6/1999	Berends et al.	254/2 B
D461,615 S	*	8/2002	Bainter	D34/31

* cited by examiner

Primary Examiner—Cynthia E. Ramirez

(74) *Attorney, Agent, or Firm*—John M. Harrison

(57) **CLAIM**

The ornamental design for a “jack”, as shown and described.

DESCRIPTION

FIG. 1 is a rear perspective view of the jack, showing my new design;

FIG. 2 is a front perspective view of the jack;

FIG. 3 is a right side elevational view, the other side being a mirror image thereof;

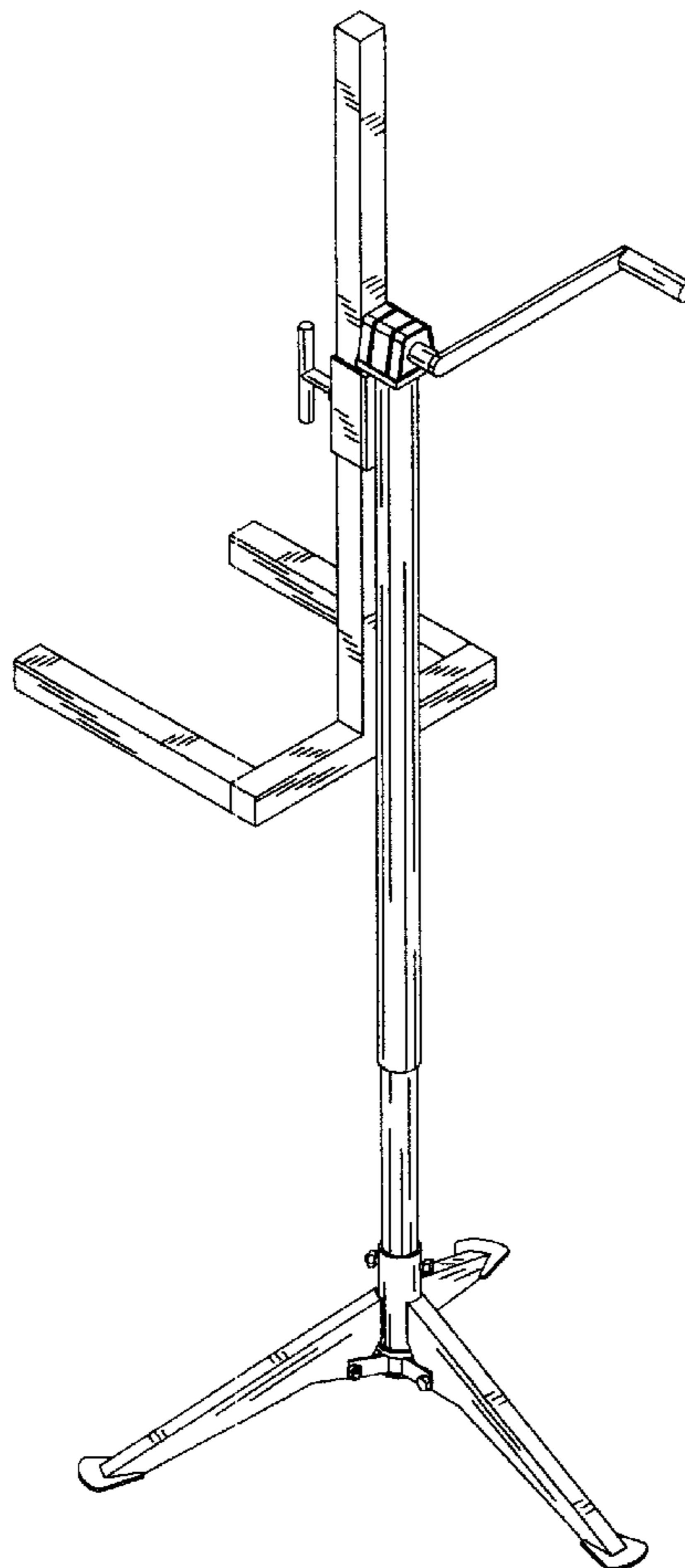
FIG. 4 is a front elevational view thereof;

FIG. 5 is a rear elevational view thereof;

FIG. 6 is a top view thereof; and,

FIG. 7 is a bottom view of the jack illustrated in FIGS. 1–6.

1 Claim, 3 Drawing Sheets



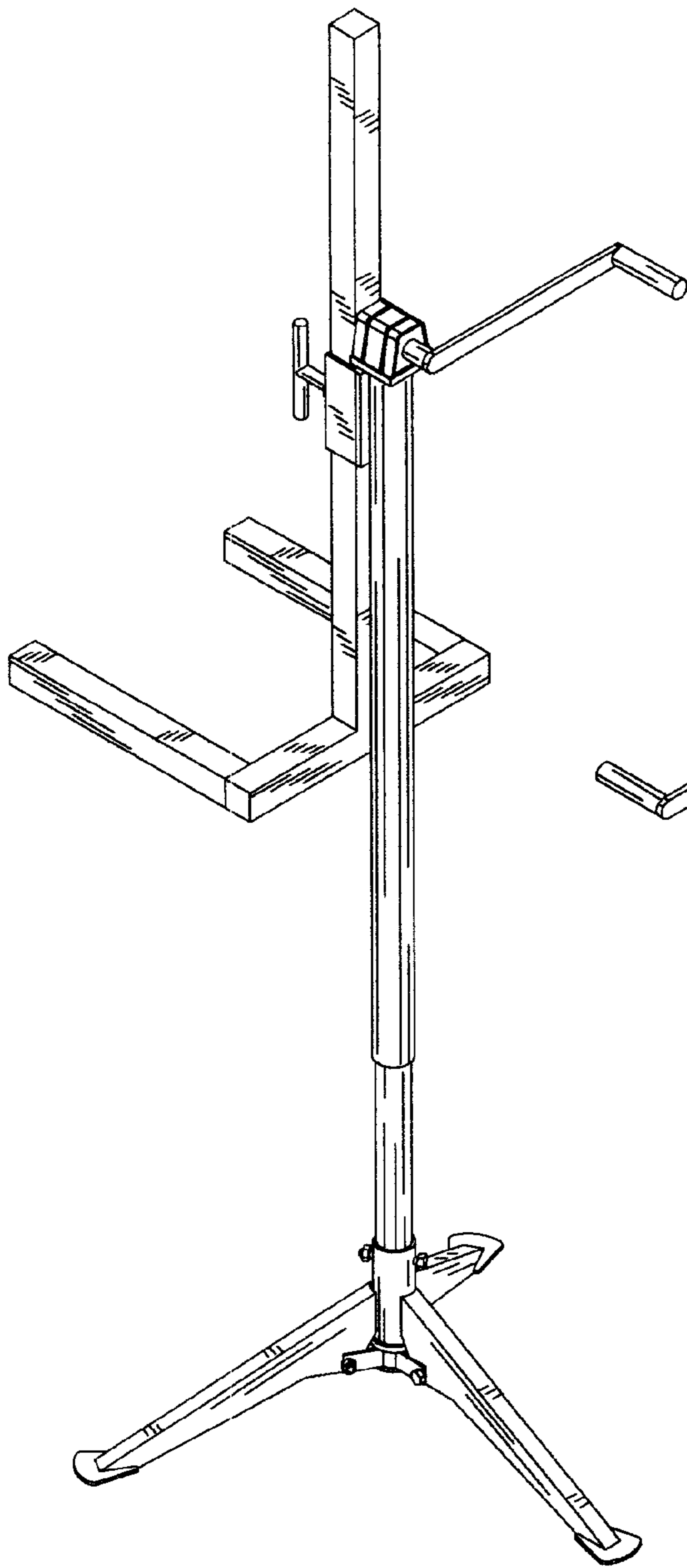


FIG. 1

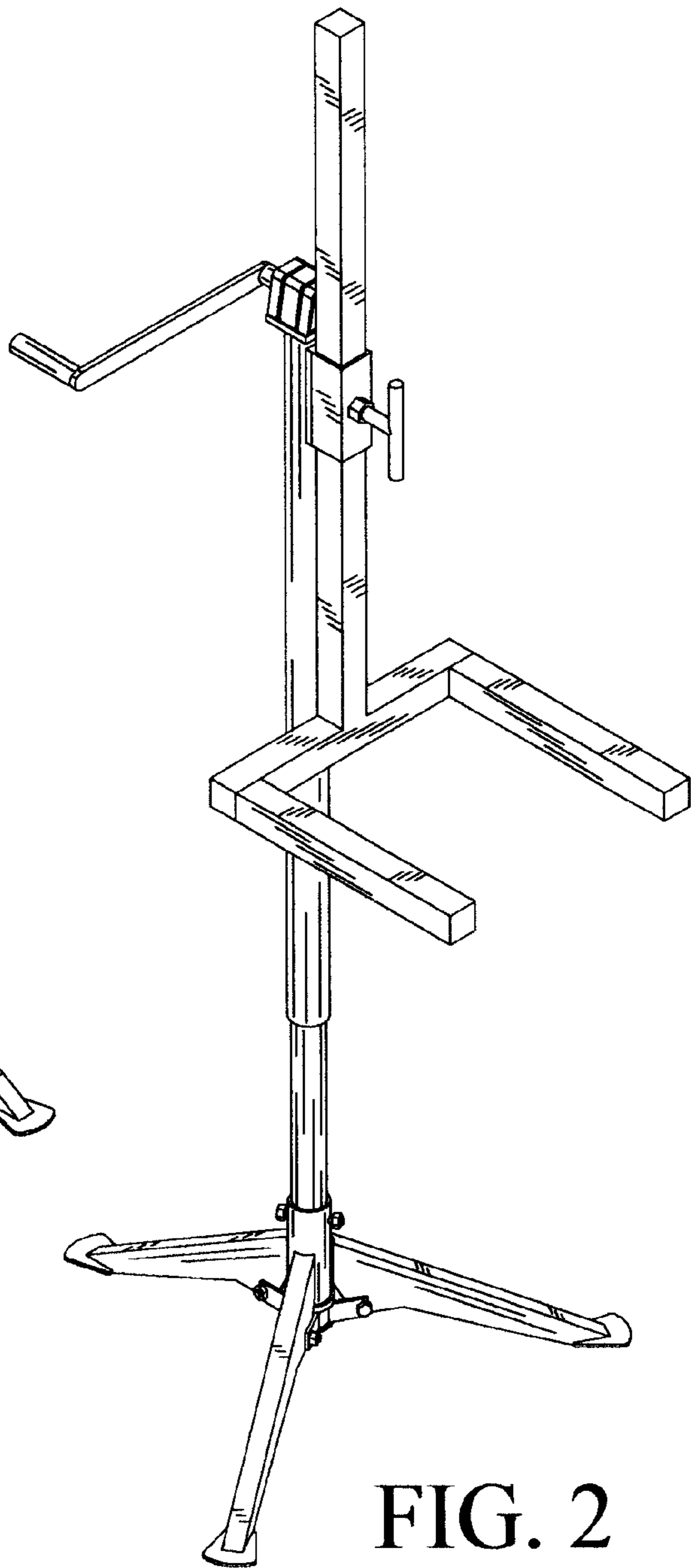


FIG. 2

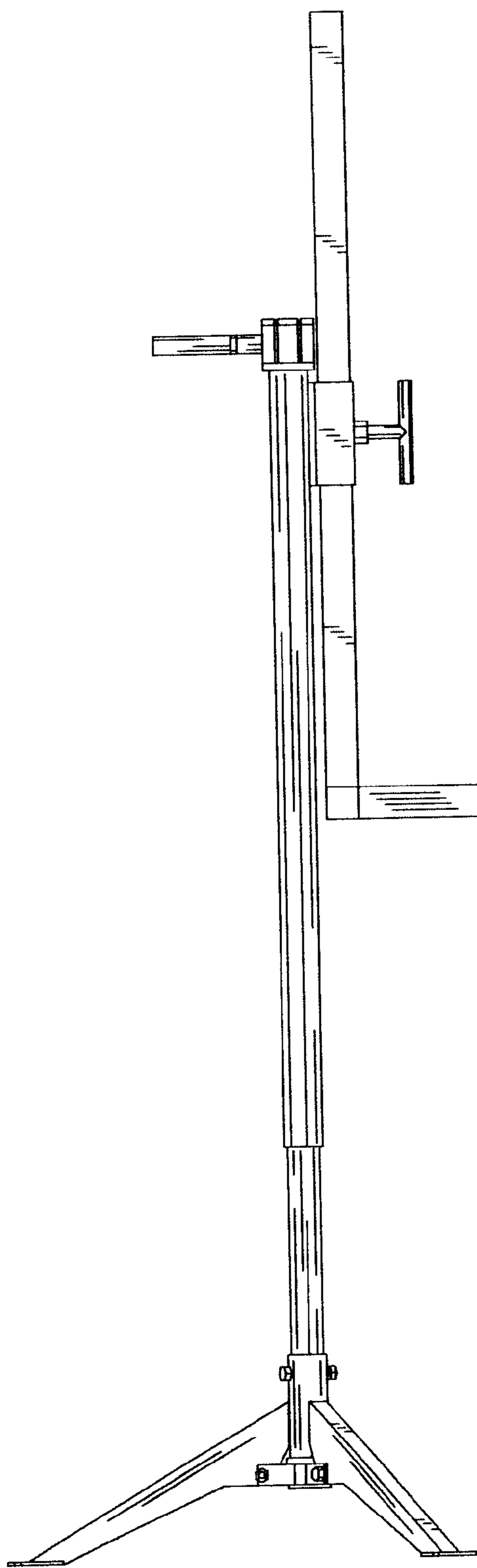


FIG. 3

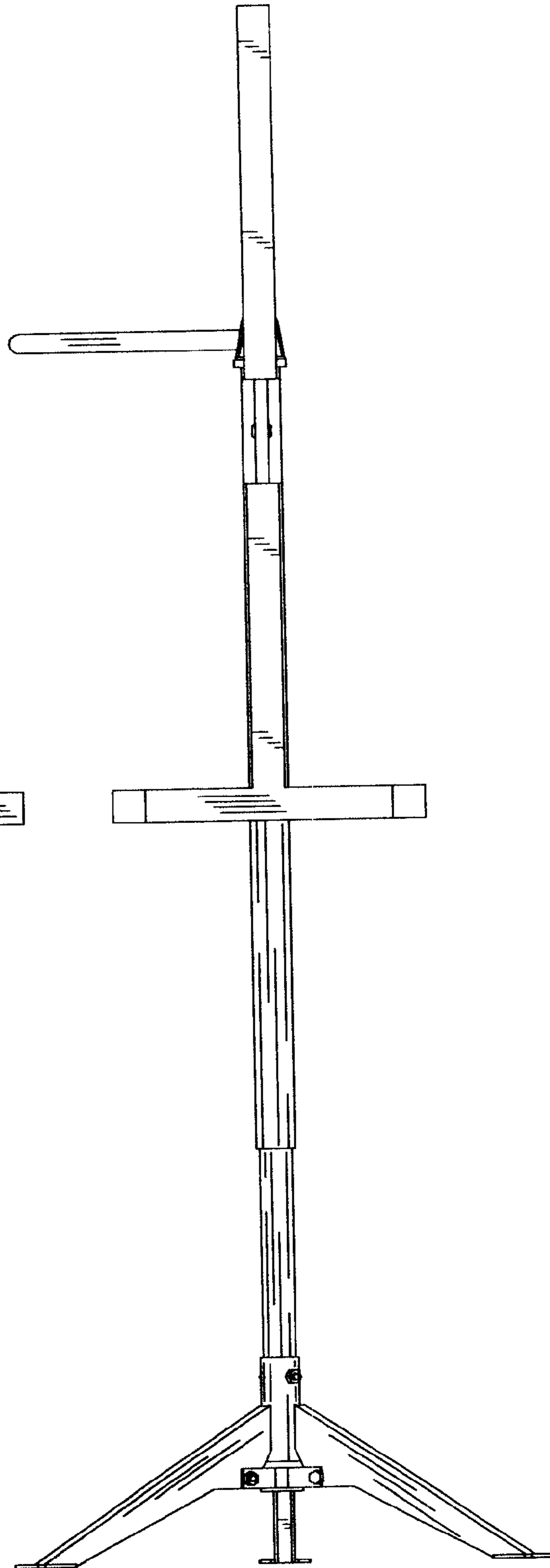


FIG. 4

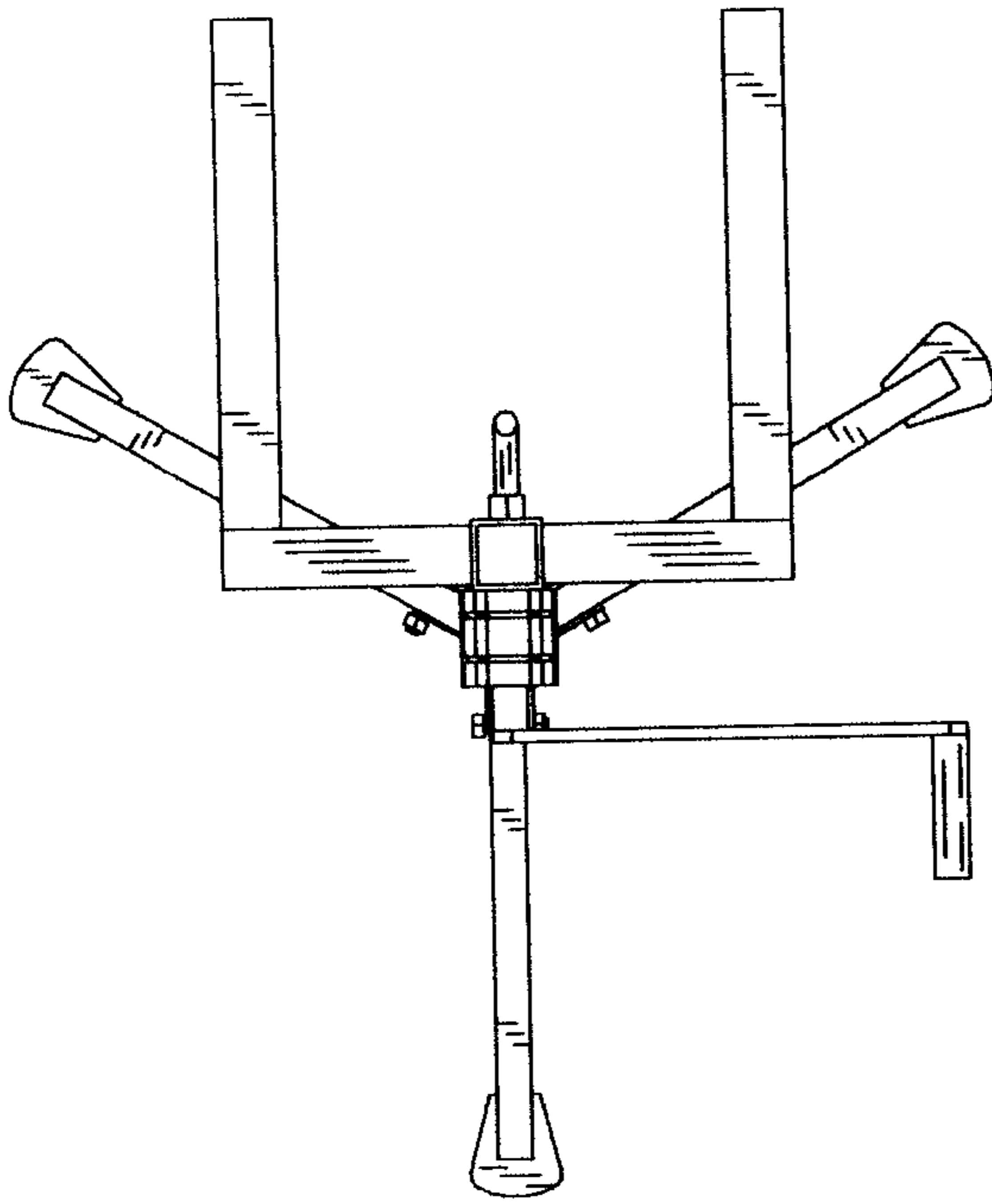


FIG. 6

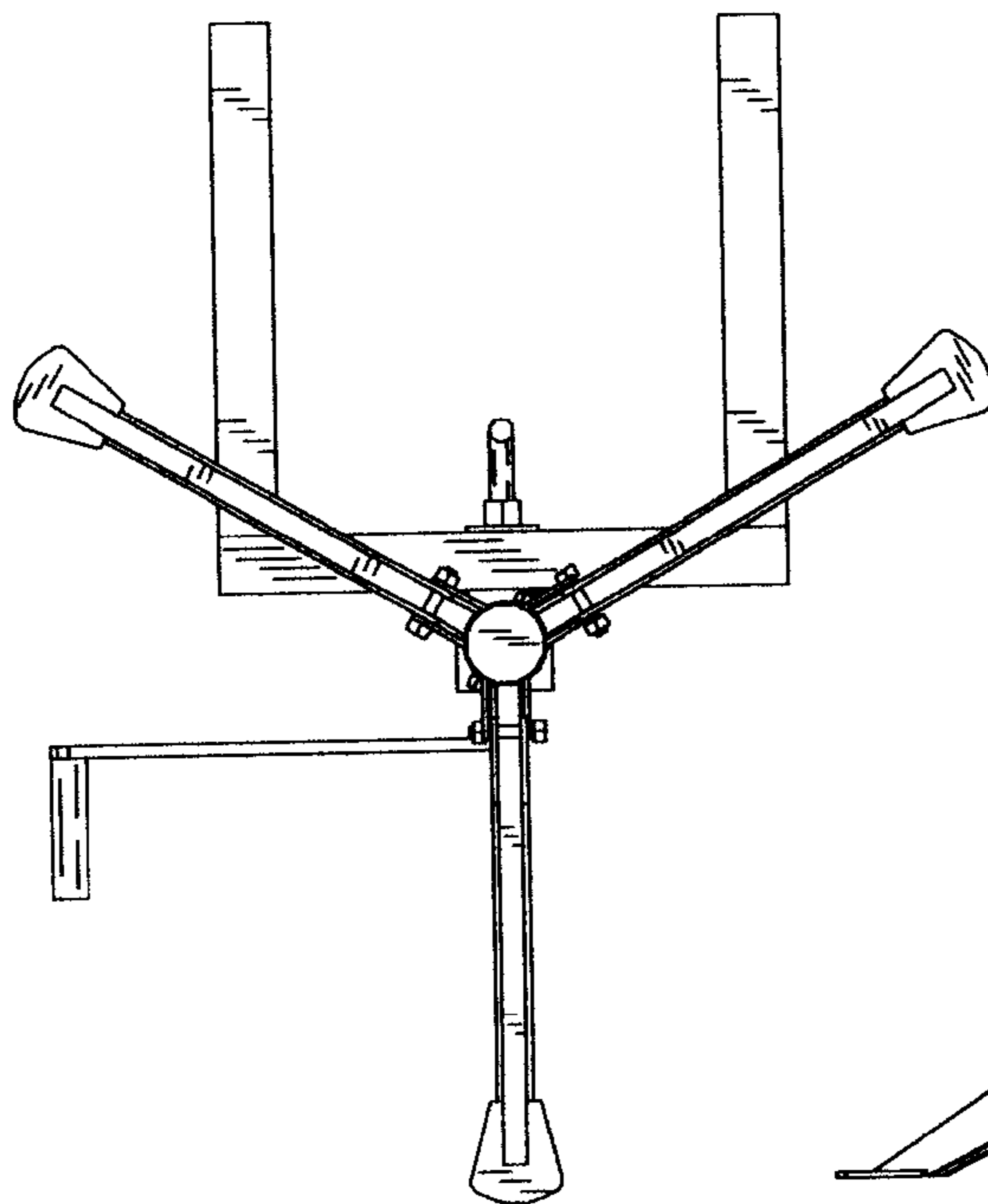


FIG. 7

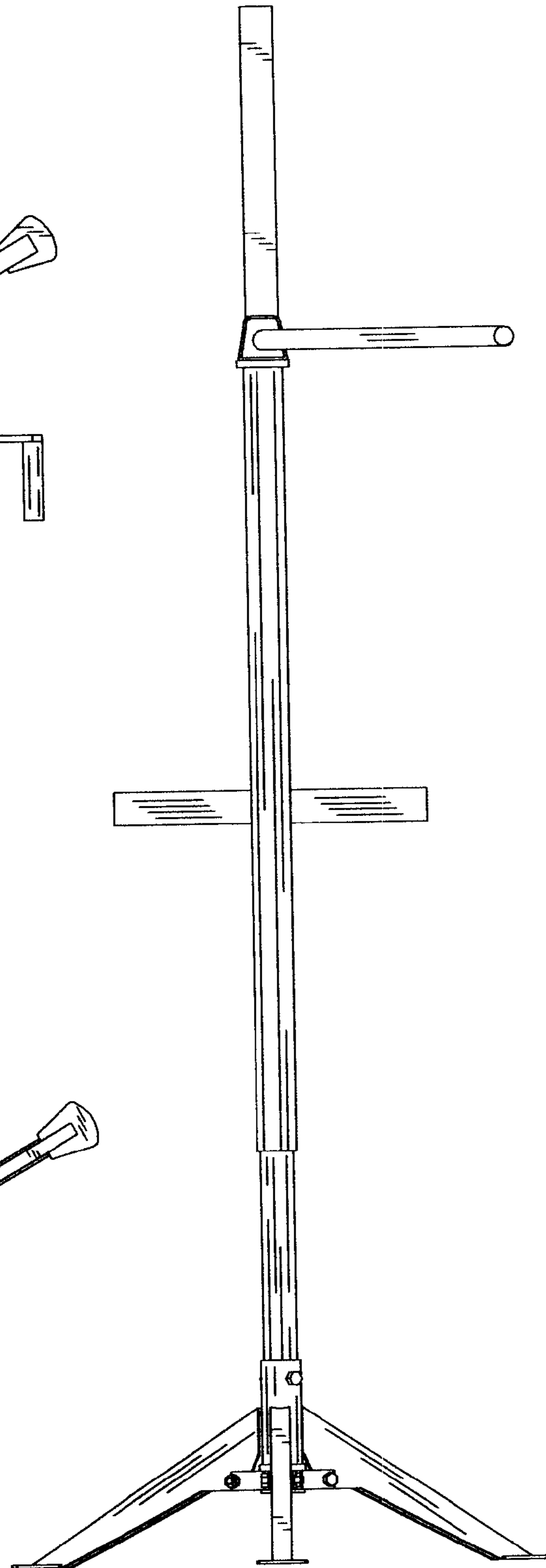


FIG. 5