

US00D527508S

(12) **United States Design Patent**
Monteith et al.

(10) **Patent No.:** **US D527,508 S**

(45) **Date of Patent:** **** Aug. 29, 2006**

(54) **UTILITY CART**

(75) Inventors: **Royal Frederich Monteith**, Houston, TX (US); **Jack G. Clark**, Katy, TX (US)

(73) Assignee: **Ez Does it Cart, LLC**, Houston, TX (US)

(**) Term: **14 Years**

(21) Appl. No.: **29/211,084**

(22) Filed: **Aug. 11, 2004**

(51) **LOC (8) Cl.** **12-02**

(52) **U.S. Cl.** **D34/17**

(58) **Field of Classification Search** D34/12-27;
280/30, 415.1, 651, 47.371, 87.01; 180/19.3;
D21/534

See application file for complete search history.

(56) **References Cited**

U.S. PATENT DOCUMENTS

- 1,509,181 A * 9/1924 Sherwood 280/87.01
- D91,862 S * 4/1934 Eck D21/425
- D138,193 S * 7/1944 Duffy D21/425
- D190,288 S * 5/1961 Monax D21/425
- D275,691 S * 9/1984 Appel et al. D21/425

- D296,225 S * 6/1988 Armstrong D21/674
- D307,209 S * 4/1990 Gallagher D34/17
- D339,440 S * 9/1993 Dick D34/17
- 5,249,823 A 10/1993 McCoy et al.
- D348,132 S 6/1994 McCoy et al.
- D426,928 S * 6/2000 Pasin D34/19
- 6,308,792 B1 * 10/2001 Garrett 180/19.3

* cited by examiner

Primary Examiner—Freda Nunn

Assistant Examiner—Kevin K. Rudzinski

(74) *Attorney, Agent, or Firm*—John C. McMahon

(57) **CLAIM**

The ornamental design for a utility cart, as shown and described.

DESCRIPTION

FIG. 1 is a perspective view of a utility cart in accordance with the present invention;
 FIG. 2 is a top plan view of the utility cart;
 FIG. 3 is a bottom plan view of the utility cart;
 FIG. 4 is a rear elevational view of the utility cart;
 FIG. 5 is a front elevational view of the utility cart; and,
 FIG. 6 is a first side elevational view of the utility cart, the second side elevational view being a mirror image of the first side elevational view.

1 Claim, 3 Drawing Sheets

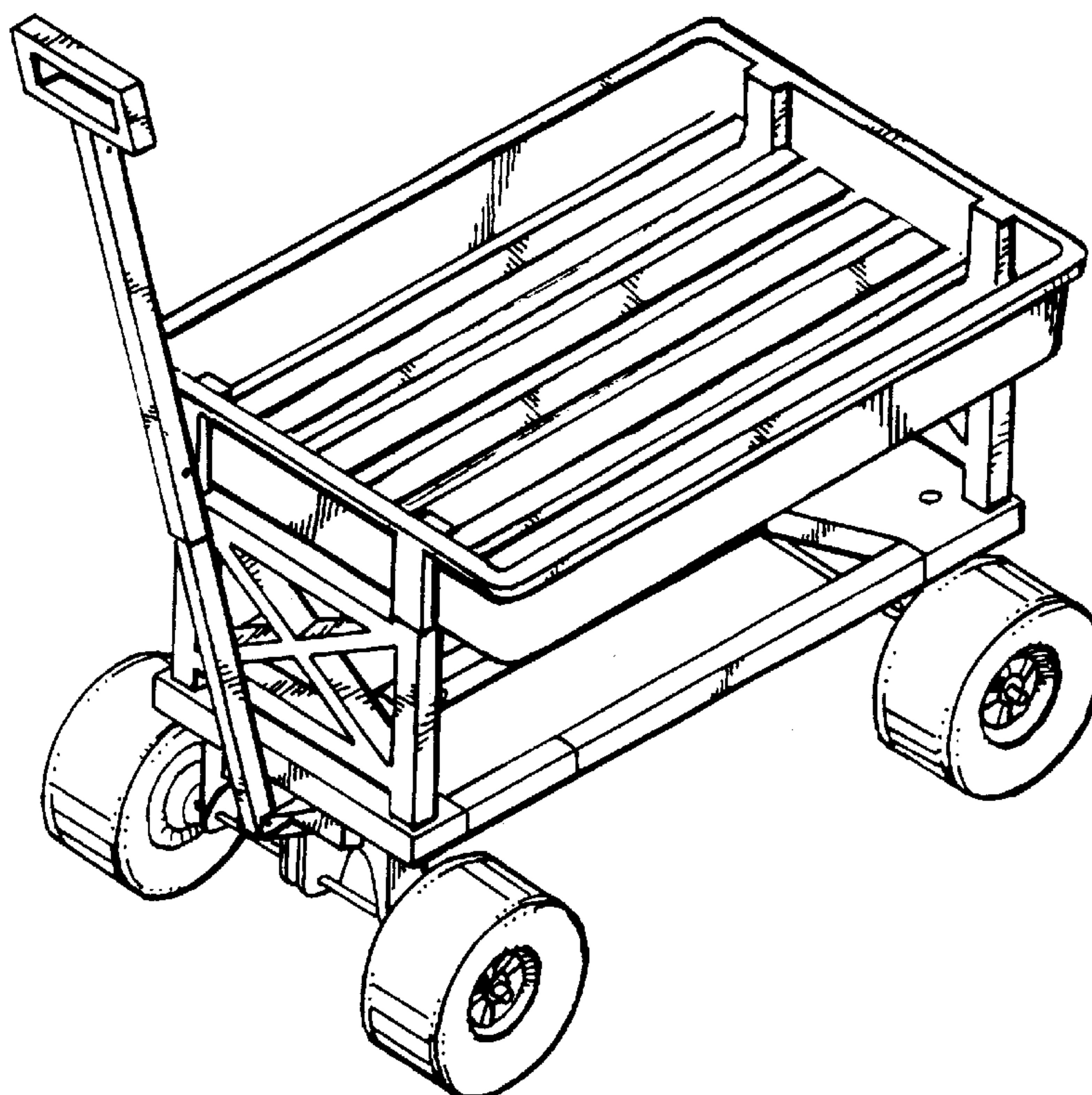
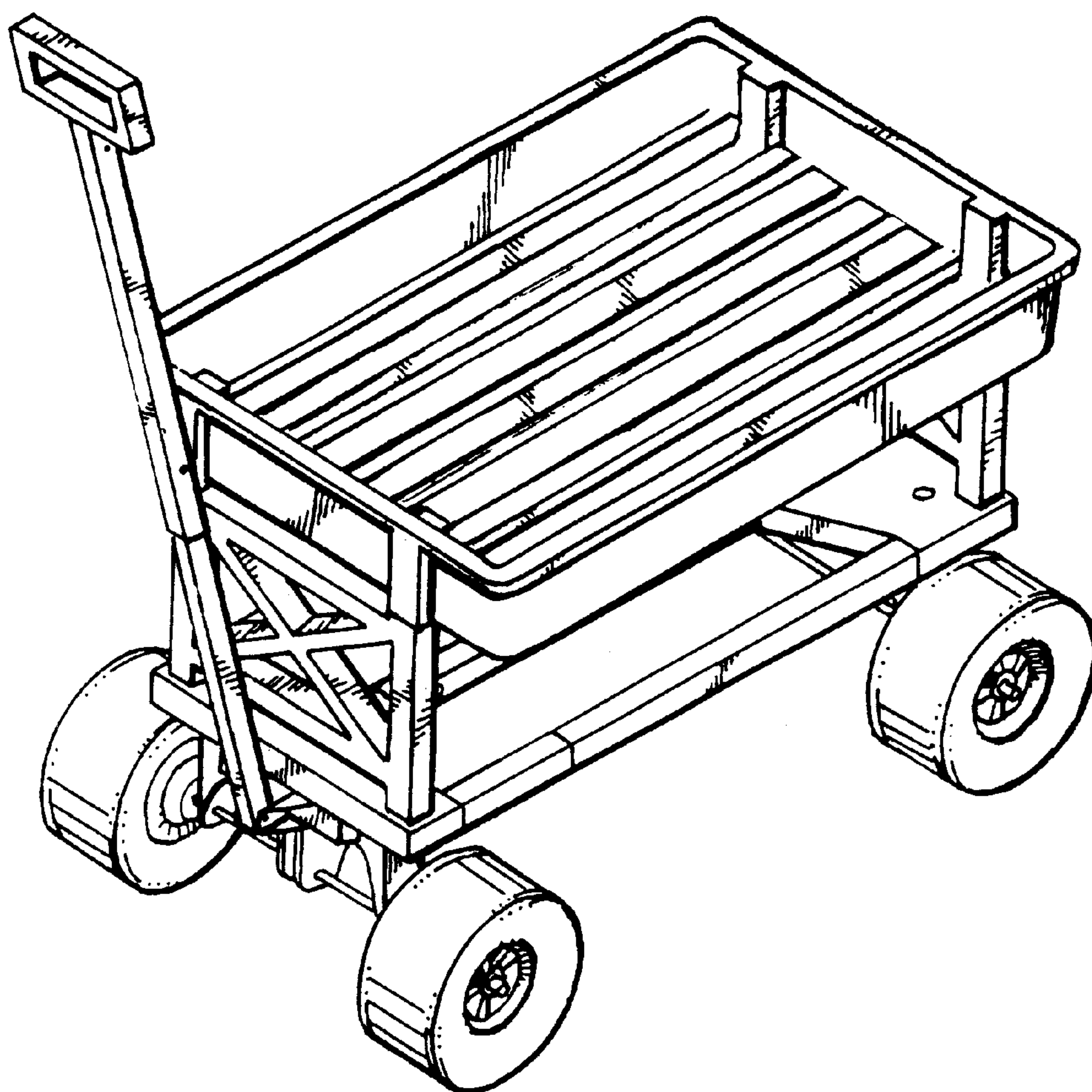


FIG. 1.



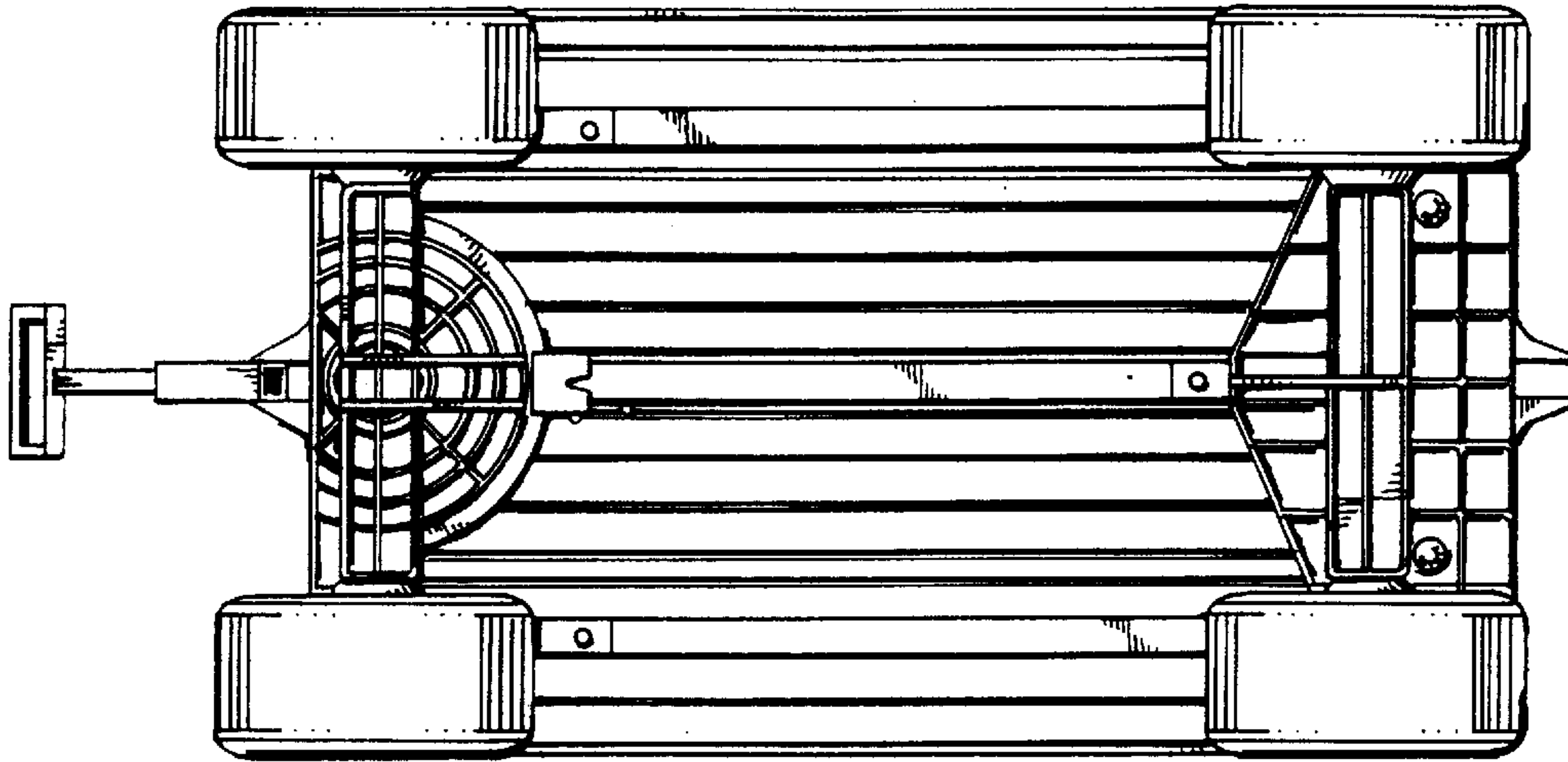
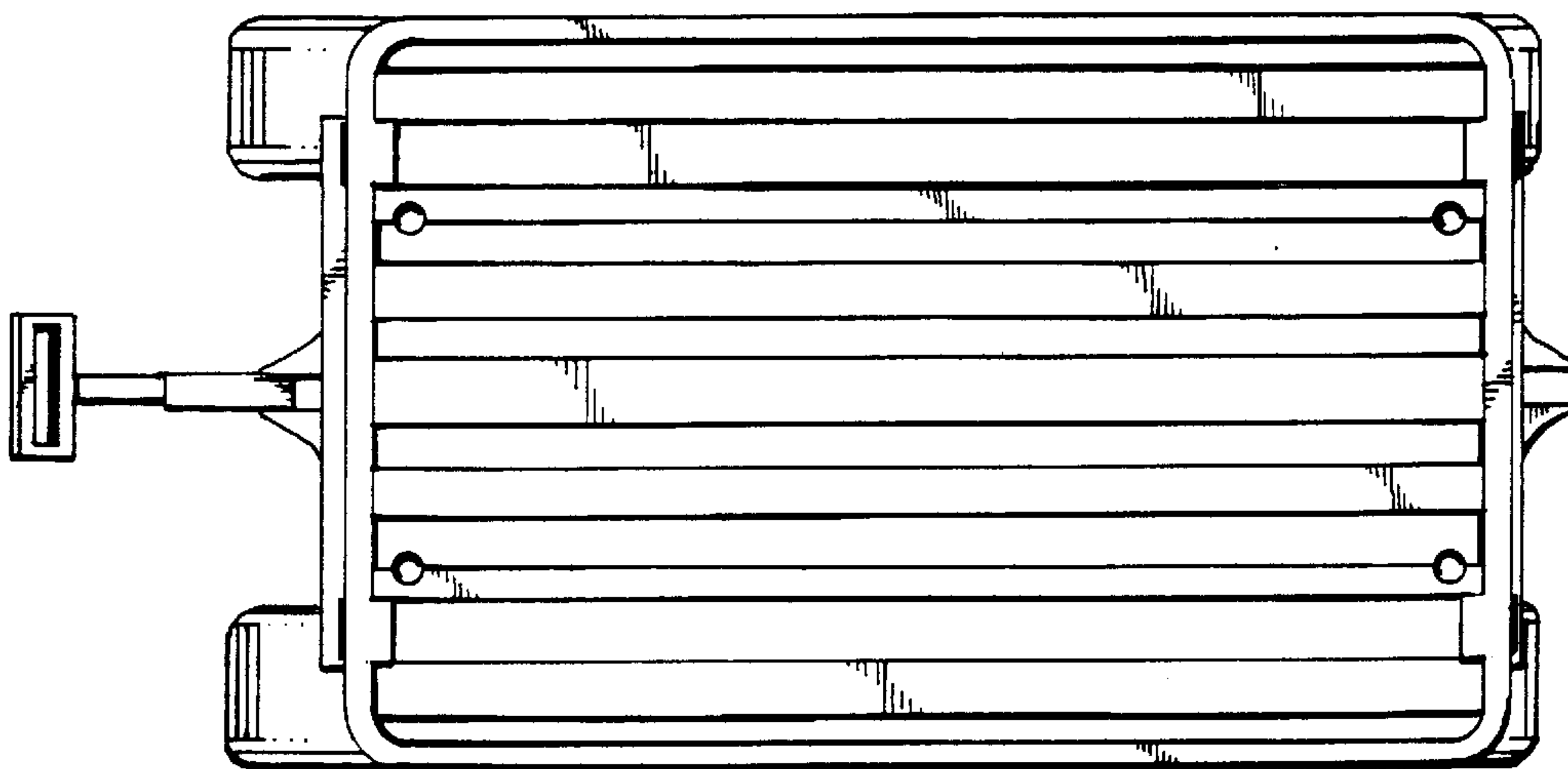


FIG. 3.

FIG. 2.



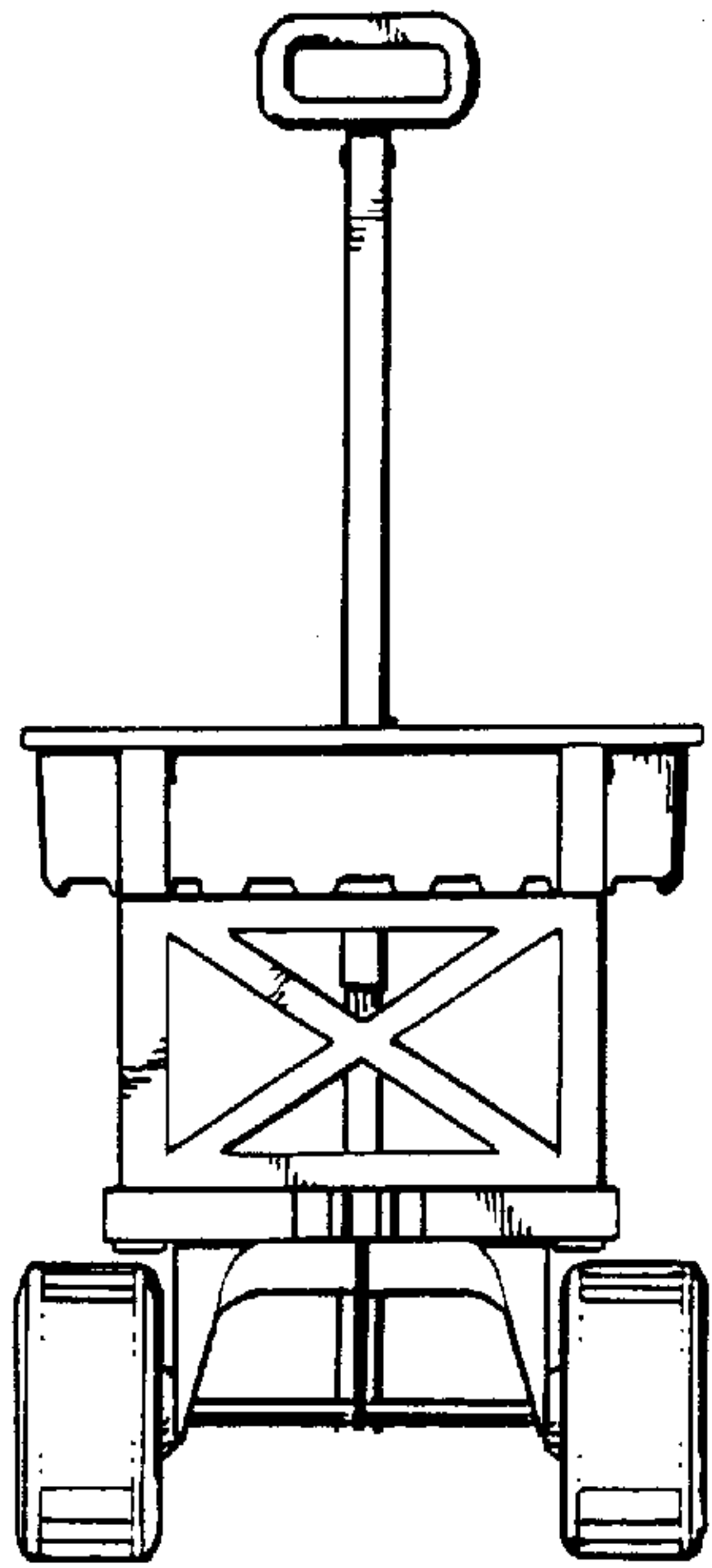


FIG. 4.

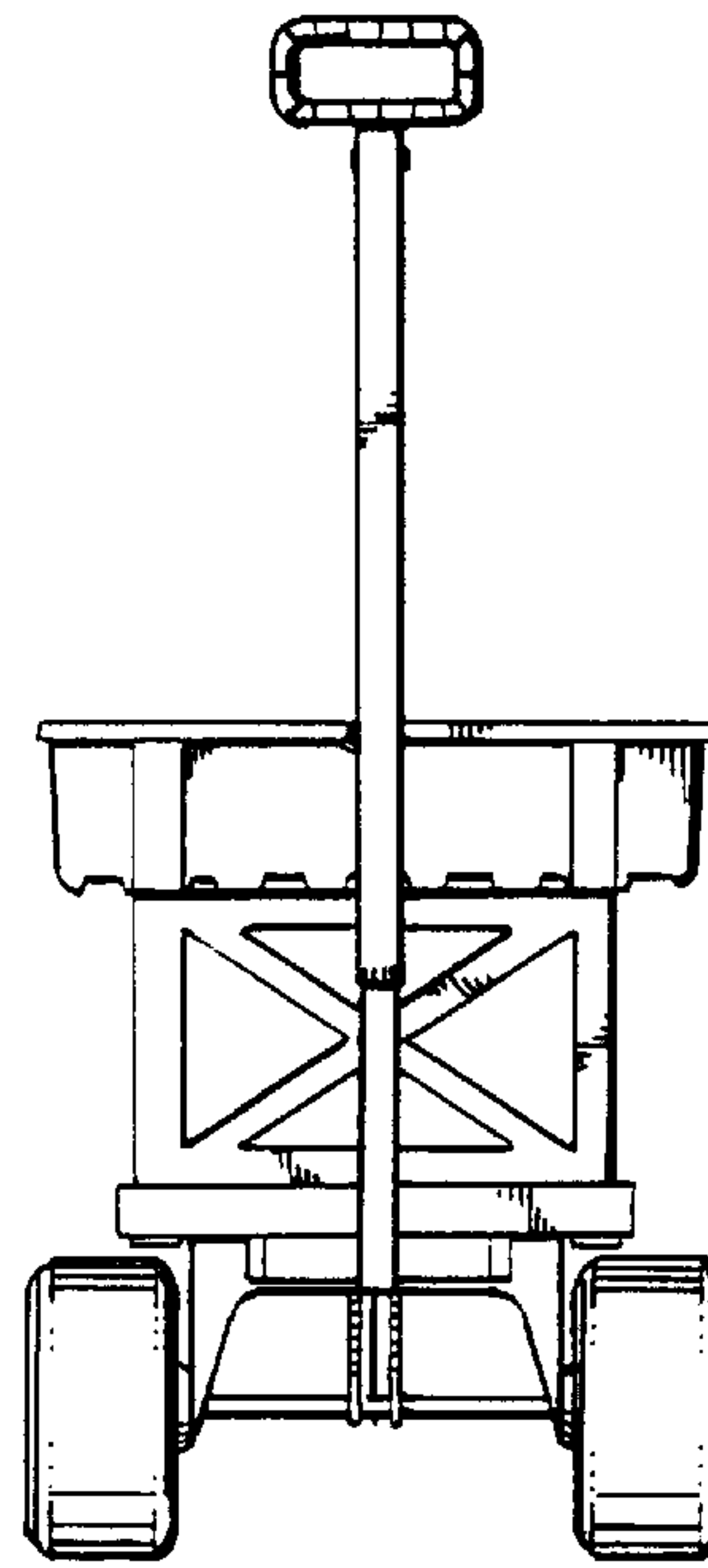


FIG. 5.

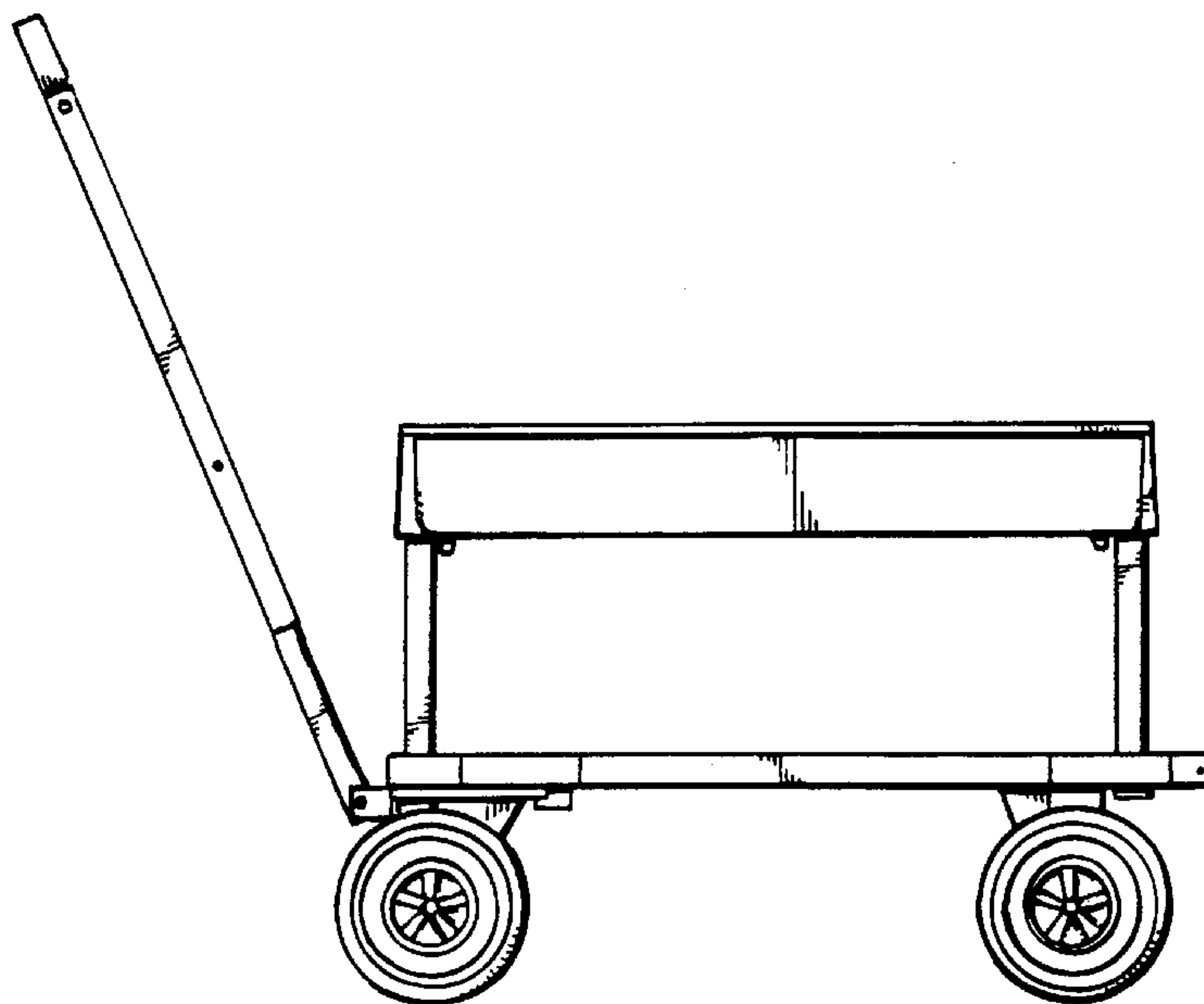


FIG. 6.