



US00D527507S

(12) **United States Design Patent Grant**

(10) **Patent No.:** **US D527,507 S**

(45) **Date of Patent:** **\*\* Aug. 29, 2006**

(54) **PAINT TRAY**

(76) Inventor: **Kristopher M. Grant**, 9527 Nicole Way, Santee, CA (US) 92071

(\*\*) Term: **14 Years**

(21) Appl. No.: **29/216,231**

(22) Filed: **Nov. 1, 2004**

(51) **LOC (8) Cl.** ..... **07-07**

(52) **U.S. Cl.** ..... **D32/53.1**

(58) **Field of Classification Search** ..... D32/53.1;  
D9/424, 429; 15/257.05, 257.06; 220/570-571,  
220/623; 229/939, 406-407  
See application file for complete search history.

(56) **References Cited**

**U.S. PATENT DOCUMENTS**

3,380,100	A	*	4/1968	Pharris et al.	.....	15/257.06
D292,533	S	*	10/1987	Saraga	.....	D32/53.1
D319,518	S	*	8/1991	Abel	.....	D32/53.1
D428,540	S	*	7/2000	Grant	.....	D32/53.1

D448,130	S	*	9/2001	Wagner	.....	D32/53.1
6,471,086	B1	*	10/2002	Fleckenstein	.....	220/570
D490,197	S	*	5/2004	Goulet	.....	D32/53.1

\* cited by examiner

*Primary Examiner*—Pamela Burgess

(74) *Attorney, Agent, or Firm*—Charles C. Logan, II

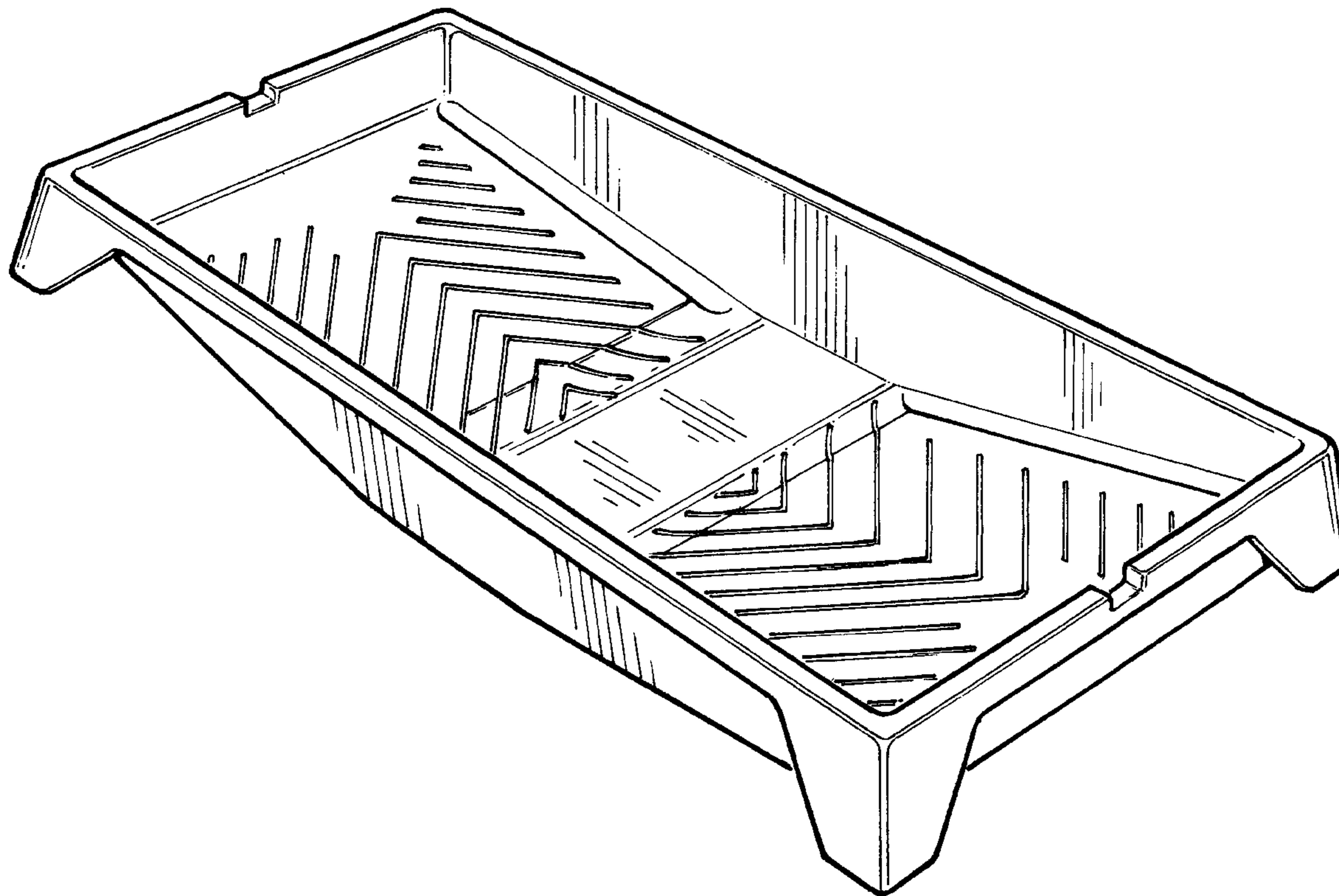
(57) **CLAIM**

The ornamental design for a paint tray, as shown and described.

**DESCRIPTION**

FIG. 1 is a top plan view of a paint tray showing my new design;  
FIG. 2 is a right side elevation view and the left side elevation view is identical;  
FIG. 3 is a bottom plan view thereof;  
FIG. 4 is a front end elevation view and the rear end elevation view is identical thereto; and,  
FIG. 5 is a front perspective view thereof.

**1 Claim, 2 Drawing Sheets**



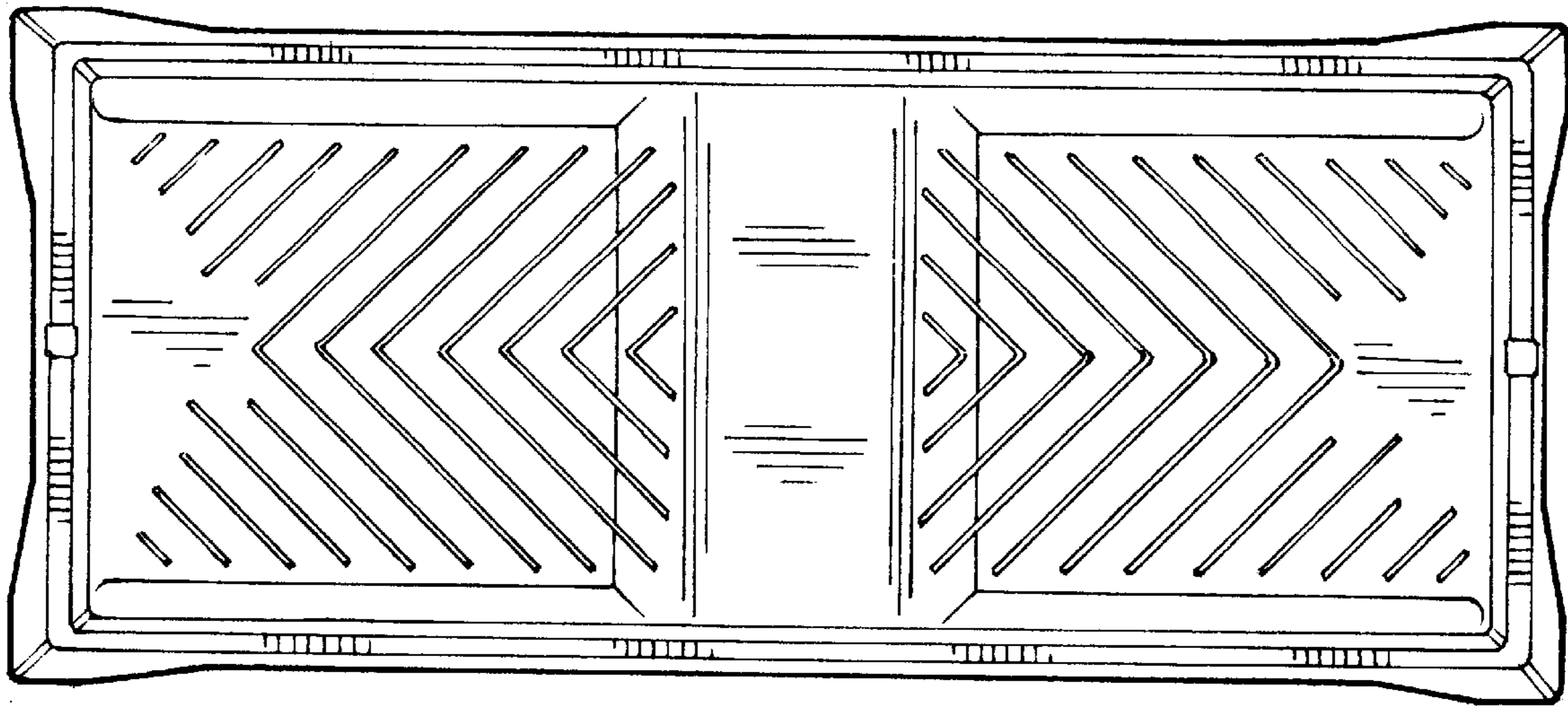


FIG. 1

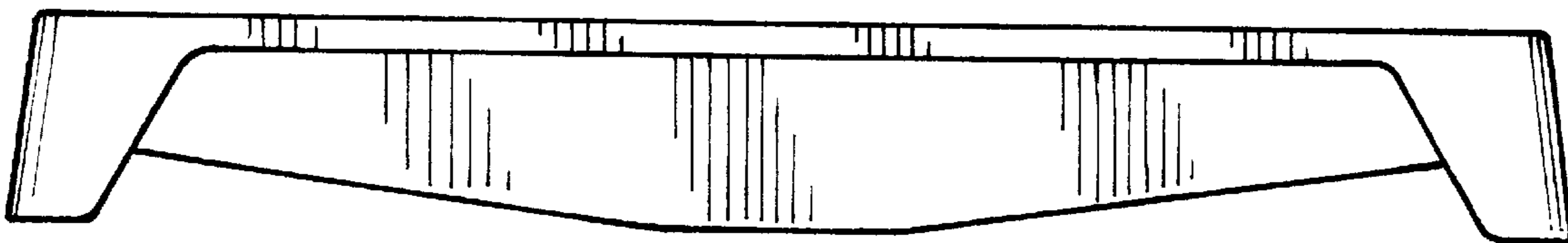


FIG. 2

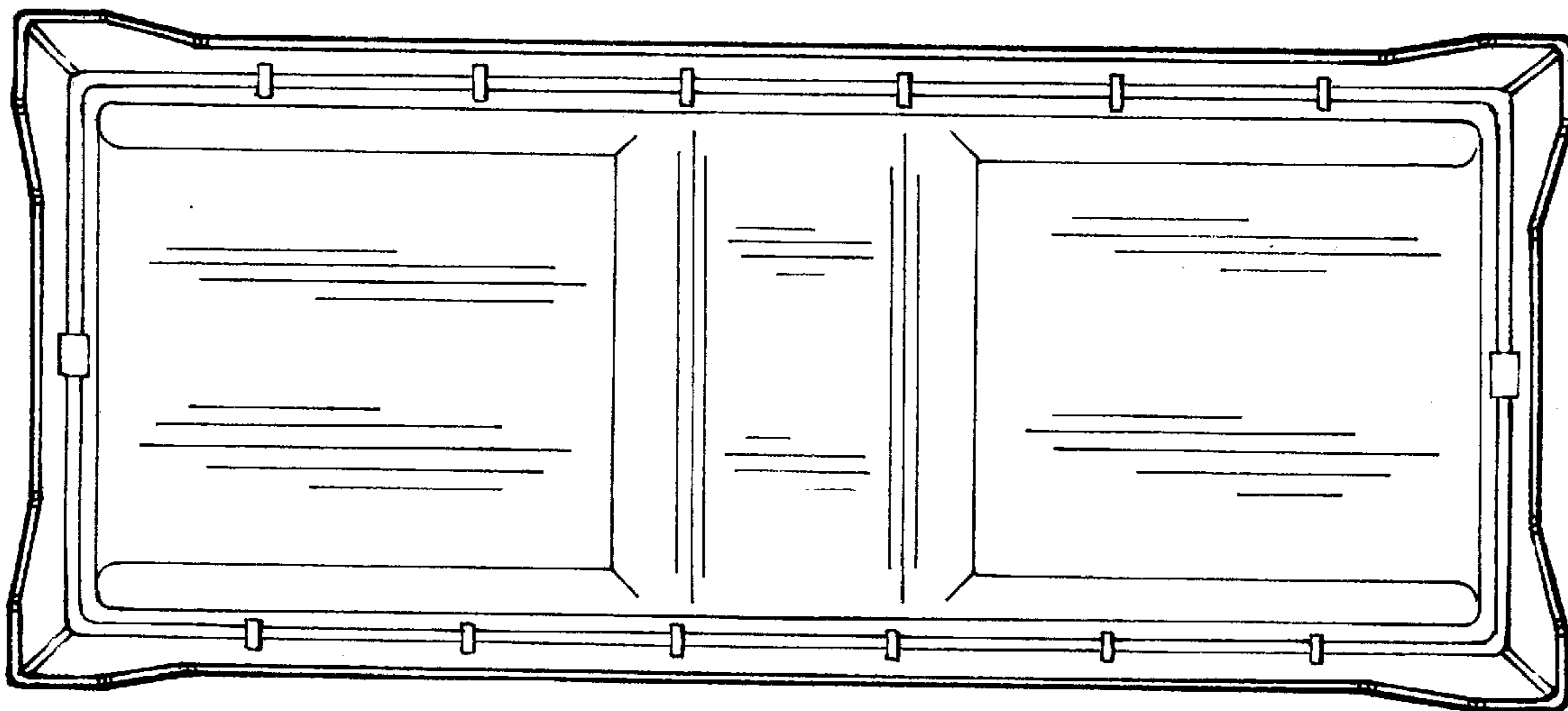


FIG. 3

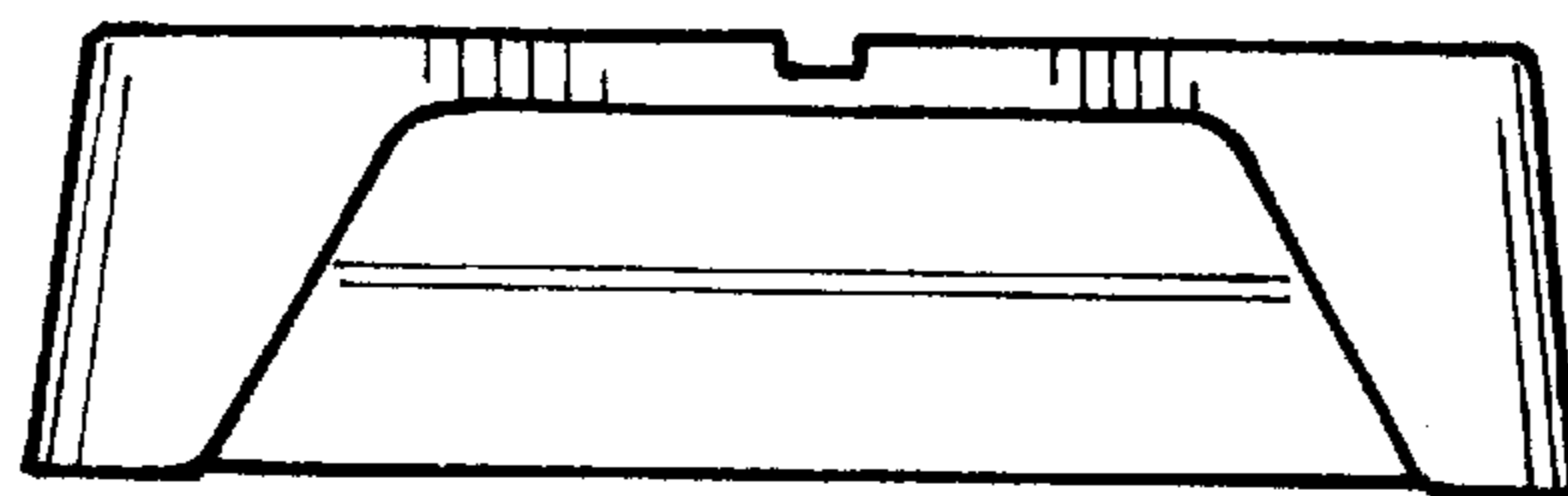


FIG. 4

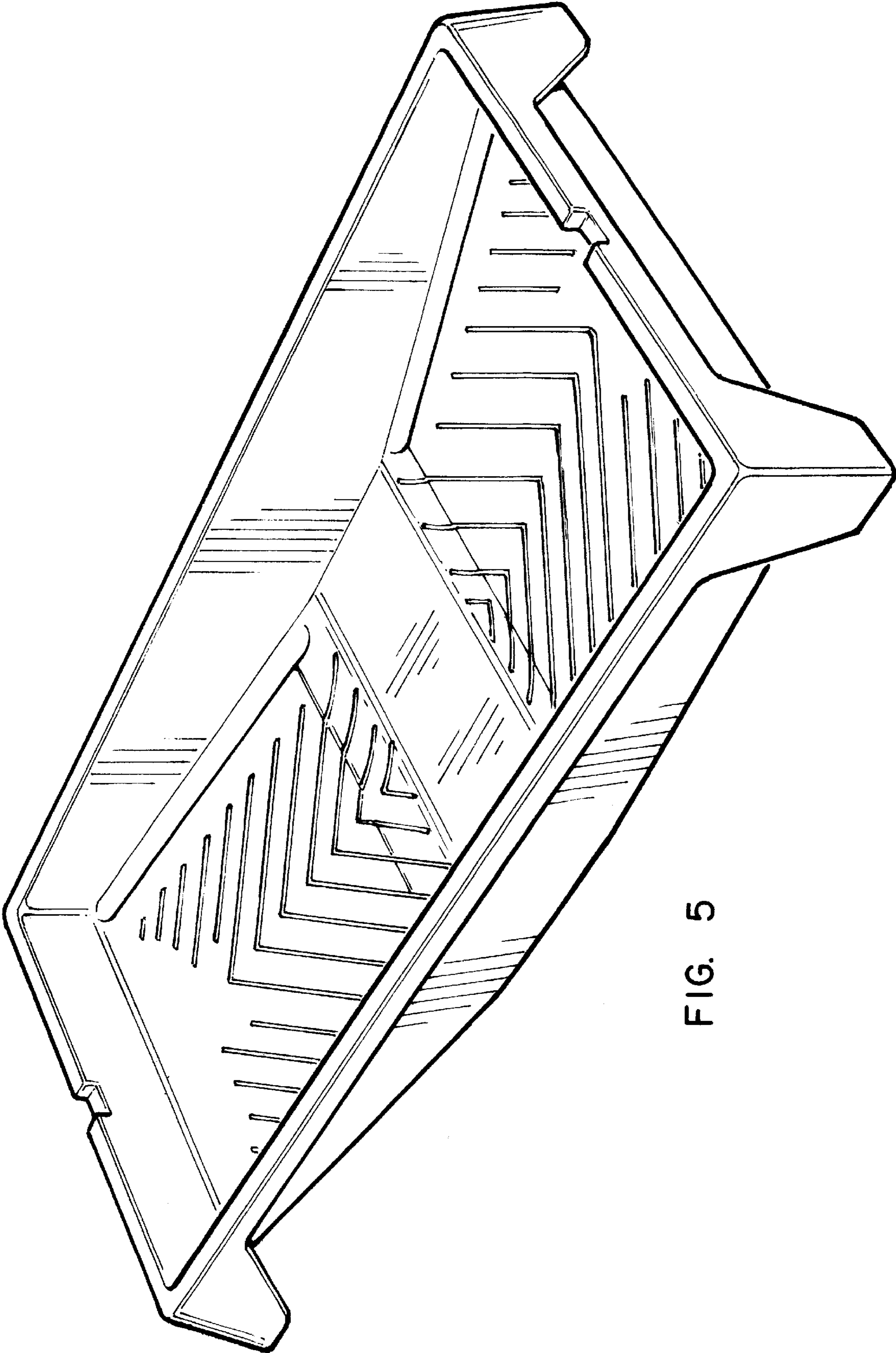


FIG. 5