

US00D527503S

(12) **United States Design Patent**
Griffin et al.

(10) **Patent No.:** **US D527,503 S**

(45) **Date of Patent:** **** Aug. 29, 2006**

(54) **VACUUM CLEANER**

(75) Inventors: **John Griffin**, Phoenix, AZ (US);
Robert L. Crevling, Jr., Cogan Station,
PA (US)

(73) Assignee: **Shop Vac Corporation**, Williamsport,
PA (US)

(**) **Term:** **14 Years**

D447,842 S	9/2001	Griffin	
D466,659 S	12/2002	Griffin	
D467,693 S	* 12/2002	Kitts D32/21
D469,934 S	2/2003	Fry et al.	
D470,280 S	2/2003	Griffin et al.	
D470,281 S	2/2003	Griffin et al.	
D479,371 S	9/2003	Griffin et al.	
D479,372 S	9/2003	Griffin	
D496,764 S	9/2004	Lopano	
D498,886 S	11/2004	Fujii	
D506,042 S	* 6/2005	Griffin et al. D32/21

(21) Appl. No.: **29/224,352**

(22) Filed: **Feb. 28, 2005**

(51) **LOC (8) Cl.** **15-05**

(52) **U.S. Cl.** **D32/21**

(58) **Field of Classification Search** D32/1,
D32/15-16, 21, 23-24, 31; 15/319, 320-321,
15/323, 327.1, 327.2, 327.3, 327.4, 327.6,
15/327.7, 329, 340.1, 340.2, 347, 353, 383,
15/405, 412; 901/1; 700/245; 318/568.12;
417/236; 55/DIG. 3

See application file for complete search history.

OTHER PUBLICATIONS

U.S. Appl. No. 29/206,484, Griffin et al.

U.S. Appl. No. 29/206,583, Griffin et al.

* cited by examiner

Primary Examiner—Ruth McNroy

(74) *Attorney, Agent, or Firm*—Marshall, Gerstein & Borun
LLP

(57) **CLAIM**

The ornamental design for a vacuum cleaner, as shown and
described.

(56) **References Cited**

U.S. PATENT DOCUMENTS

D318,544 S	7/1991	Schoettler	
D341,008 S	11/1993	Berfield et al.	
5,301,386 A	4/1994	Thomas et al.	
D383,573 S	9/1997	Saunders	
D384,447 S	9/1997	Lauer et al.	
D386,842 S	11/1997	Hoshino et al.	
5,784,753 A	7/1998	Kaczmarz et al.	
D418,643 S	* 1/2000	Hoshino D32/21
D424,764 S	5/2000	Collins et al.	
D429,856 S	8/2000	Griffin	
6,243,913 B1	6/2001	Frank et al.	
D446,612 S	* 8/2001	Kohler D32/21
D447,293 S	8/2001	Griffin	

DESCRIPTION

FIG. 1 is a right side perspective view taken from the front
and side showing our new design;

FIG. 2 is a front view thereof;

FIG. 3 is a rear view thereof;

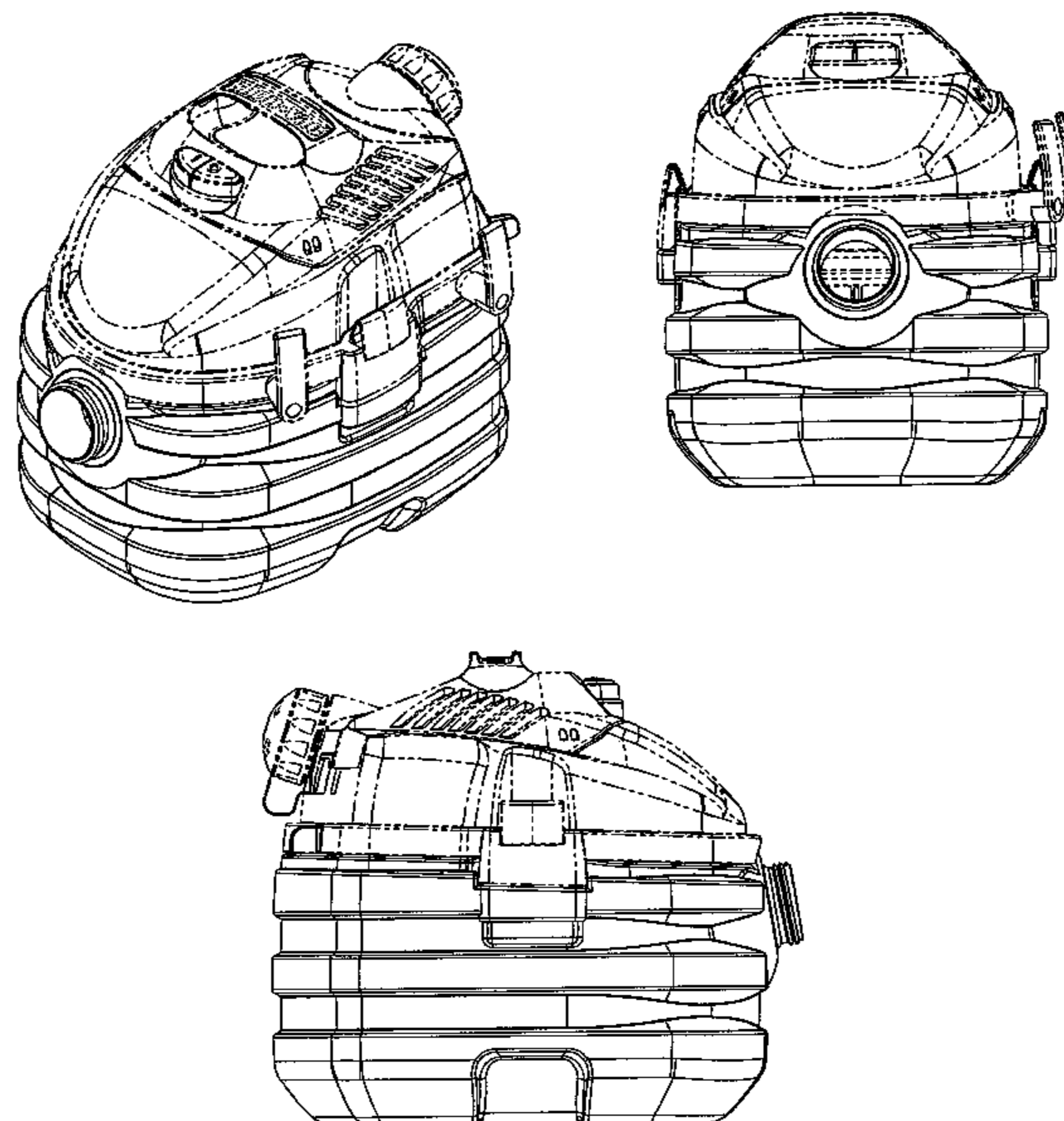
FIG. 4 is a left side view; the right side view being a mirror
image thereof;

FIG. 5 is a top plan view thereof; and,

FIG. 6 is a bottom view thereof.

Broken lines are shown on the head of the vacuum cleaner
to indicate that the design of the head of the vacuum cleaner
forms no part of the design to be patented.

1 Claim, 6 Drawing Sheets



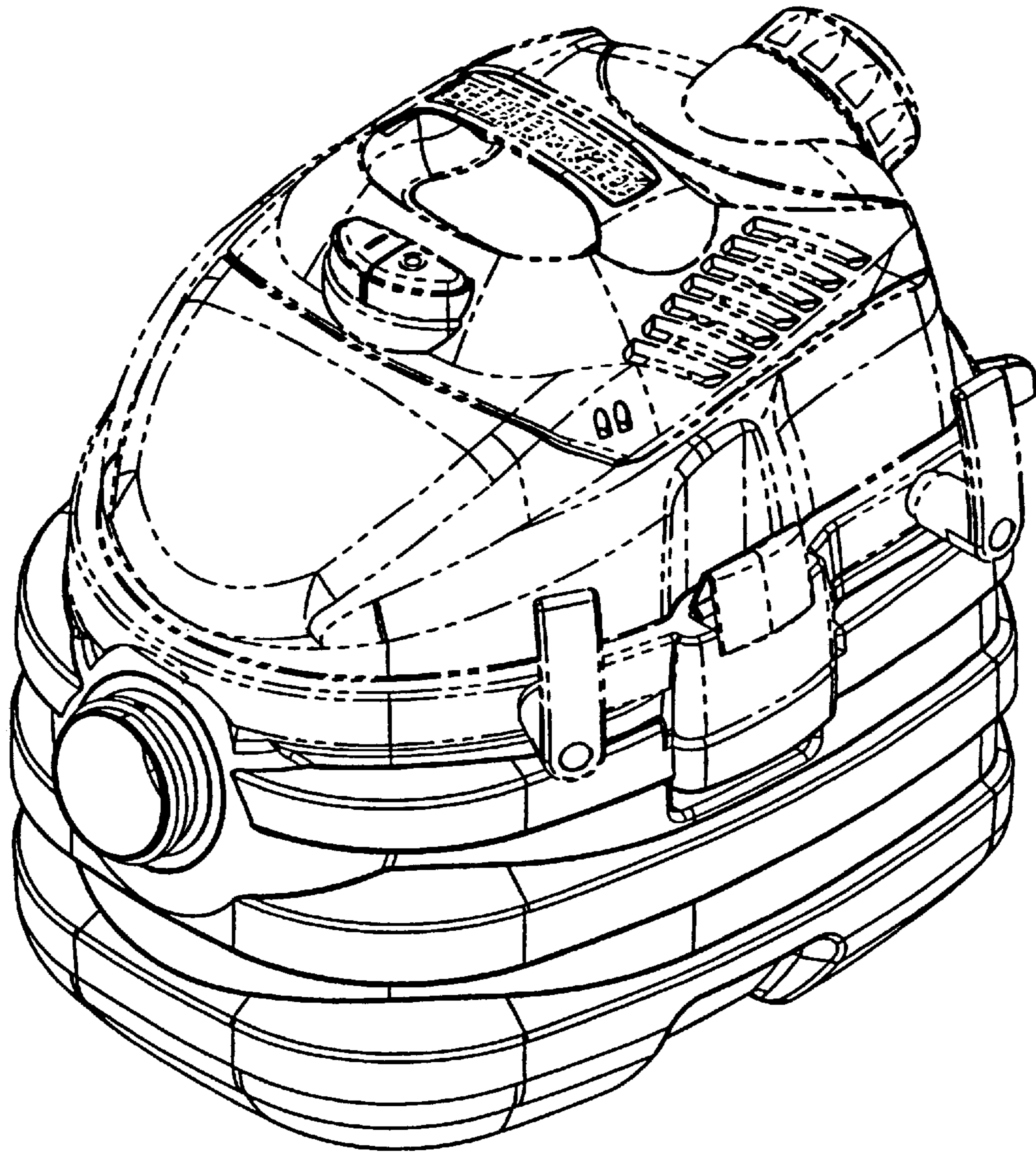


FIG. 1

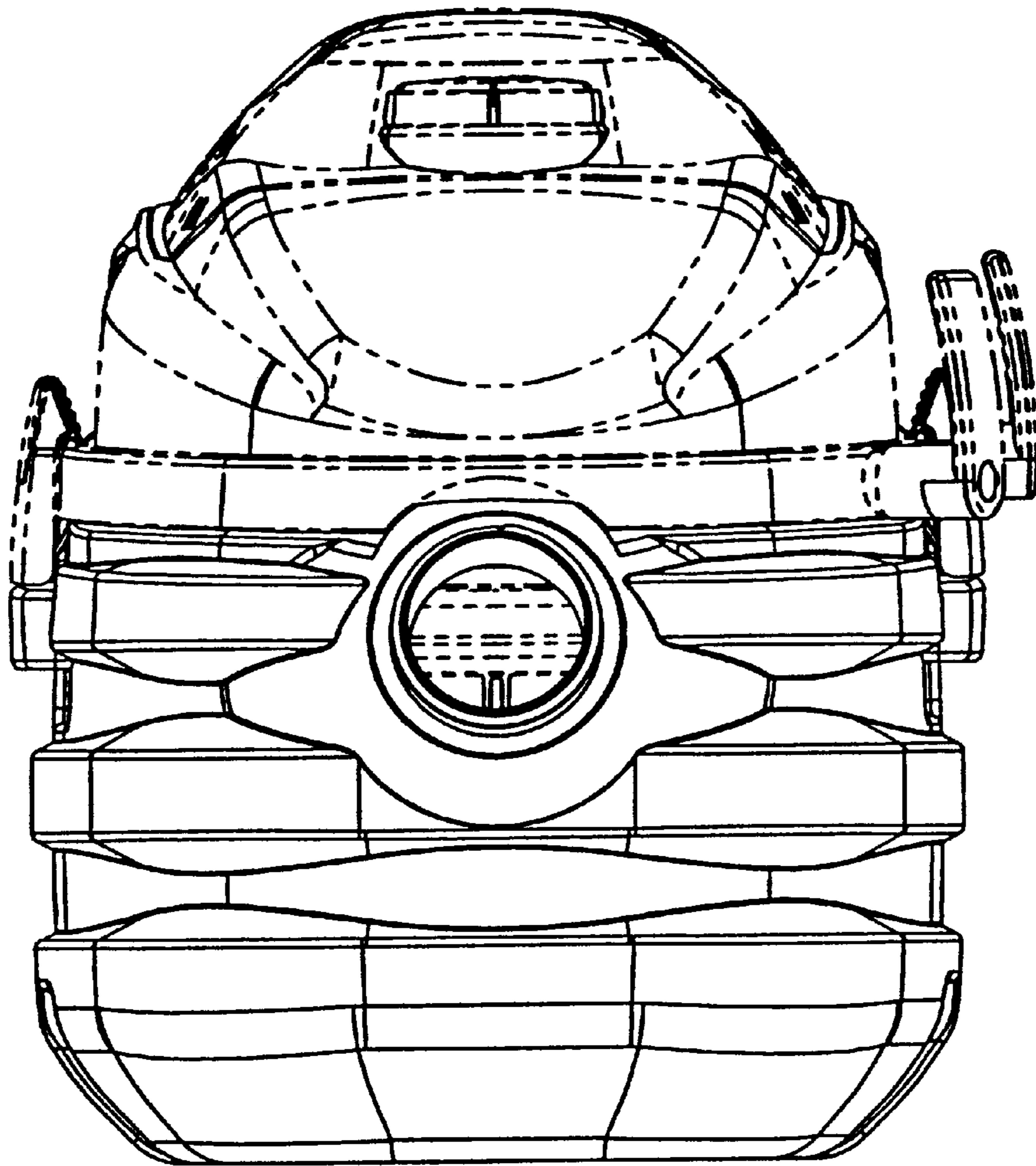


FIG. 2

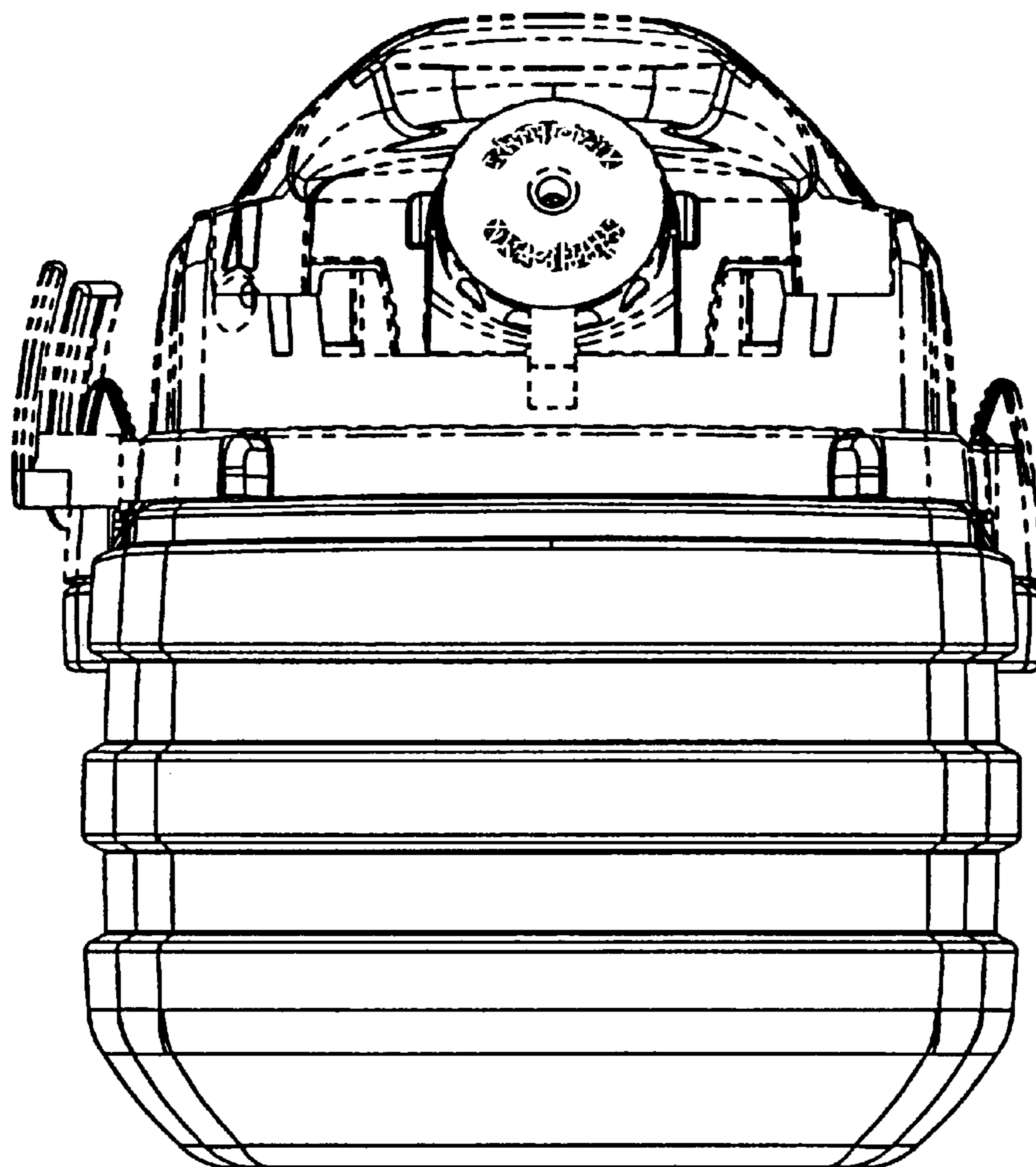


FIG. 3

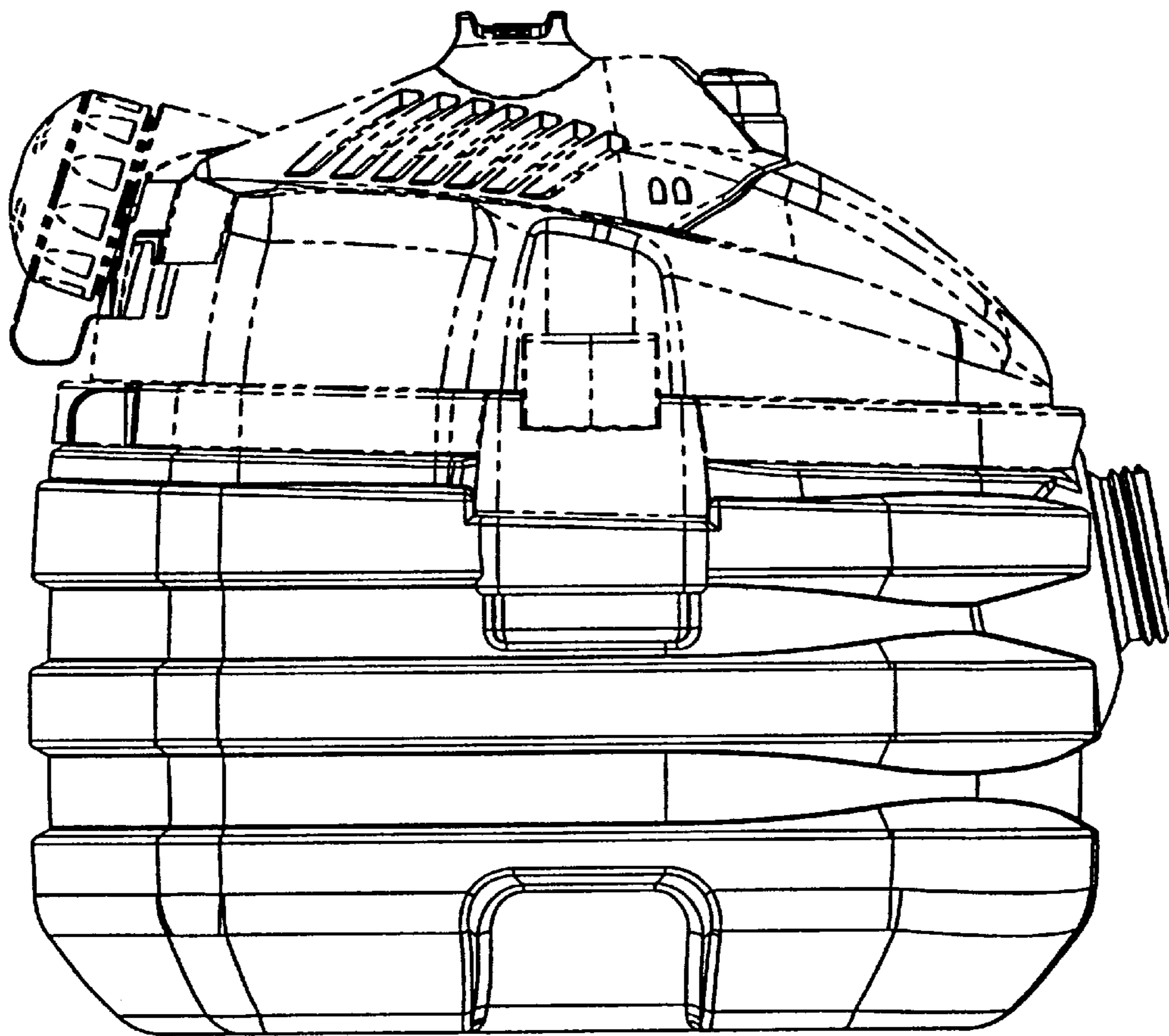


FIG. 4

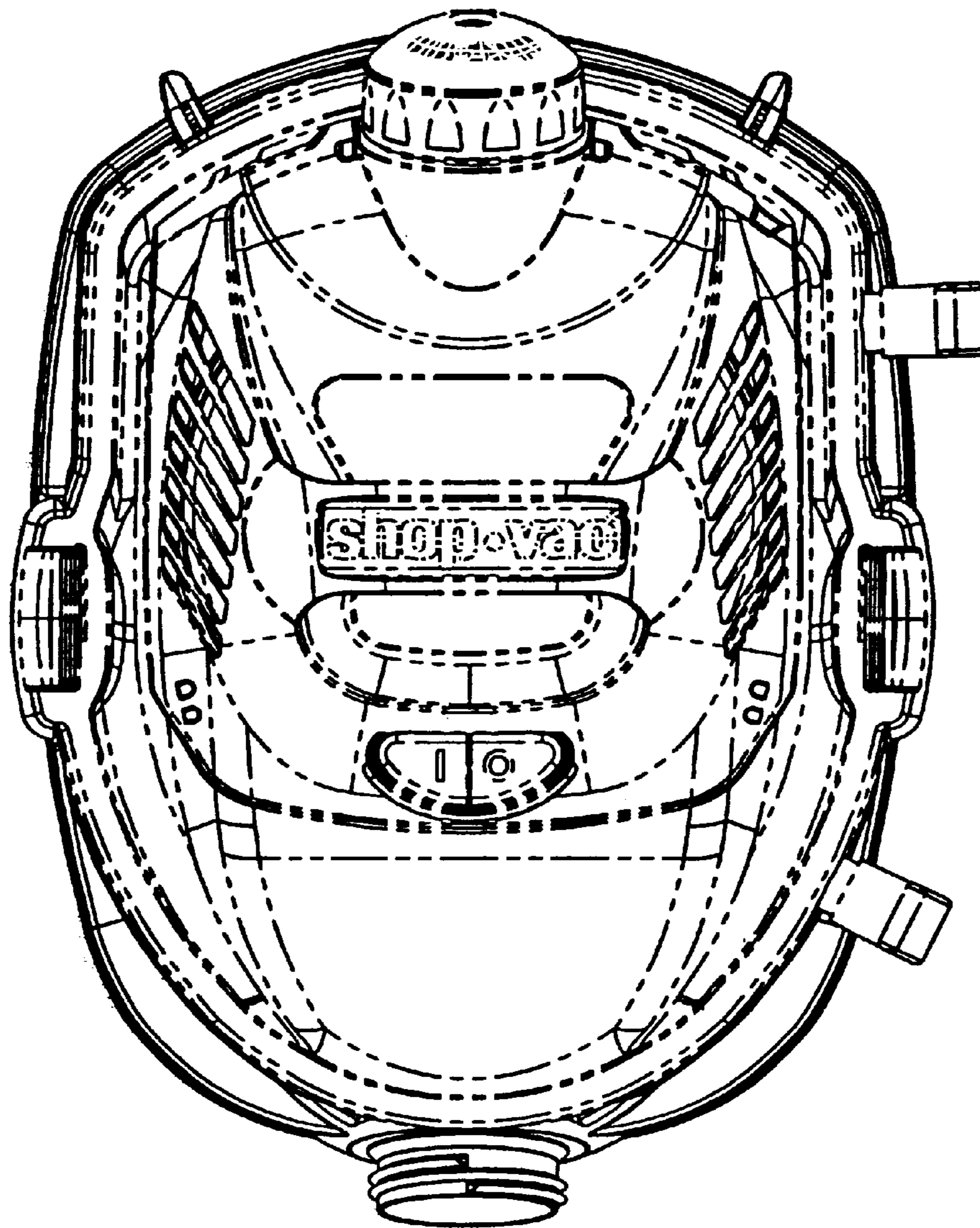


FIG. 5

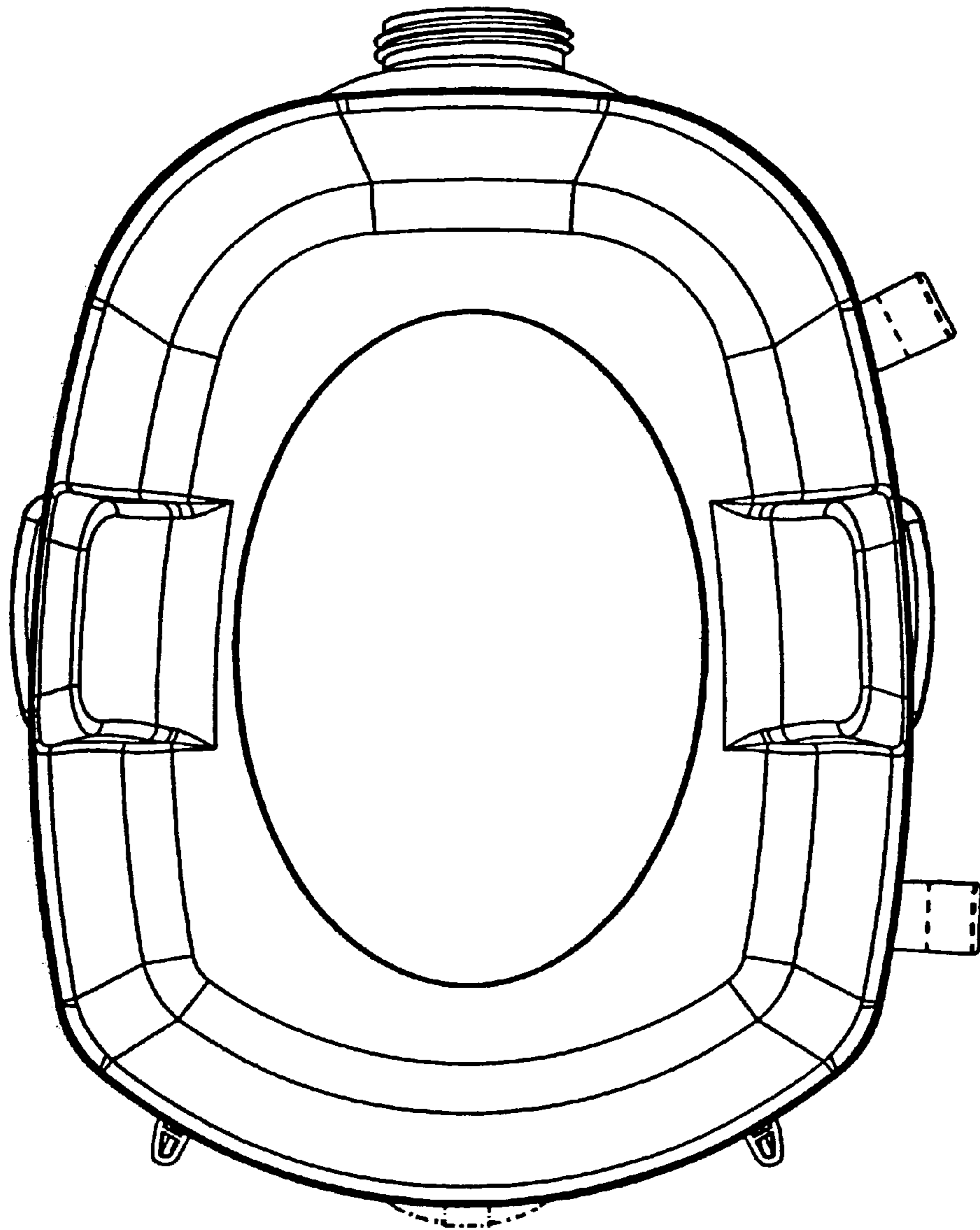


FIG. 6