

US00D527492S

(12) **United States Design Patent**
Wonderley et al.

(10) **Patent No.:** **US D527,492 S**

(45) **Date of Patent:** **** Aug. 29, 2006**

(54) **RAZOR HANDLE**

(76) Inventors: **Jeffrey W. Wonderley**, 2099 Knightly Mill Rd., Fort Defiance, VA (US) 24437; **Stuart Serjent**, c/o Appetite Consultancy Ltd., 4th Floor, Tennyson House, 159-165 Great Portland Street, London W1W 5PA (GB)

(**) Term: **14 Years**

(21) Appl. No.: **29/225,813**

(22) Filed: **Mar. 22, 2005**

(51) **LOC (8) Cl.** **28-03**

(52) **U.S. Cl.** **D28/48**

(58) **Field of Classification Search** D28/44, D28/44.1, 45-48; 30/32, 34.05, 34.1, 34.2, 30/40, 41, 41.5-41.8, 44-51, 57, 526, 527, 30/530-533

See application file for complete search history.

(56) **References Cited**

U.S. PATENT DOCUMENTS

D403,114 S * 12/1998 Shurtleff D28/48

D406,393 S * 3/1999 Gray D28/48
6,029,354 A * 2/2000 Apprille et al. 30/47
D476,113 S * 6/2003 Wonderley D28/48
D500,173 S * 12/2004 Wakayama D28/48

* cited by examiner

Primary Examiner—Jennifer Rivard

(74) *Attorney, Agent, or Firm*—McDermott Will & Emery LLP

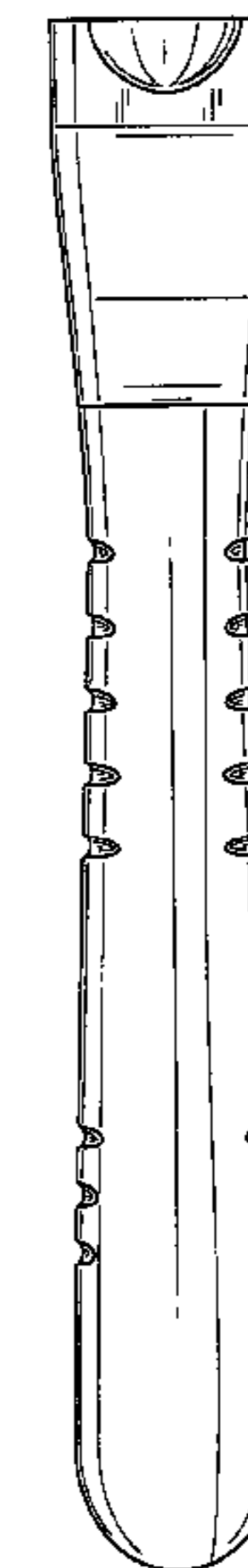
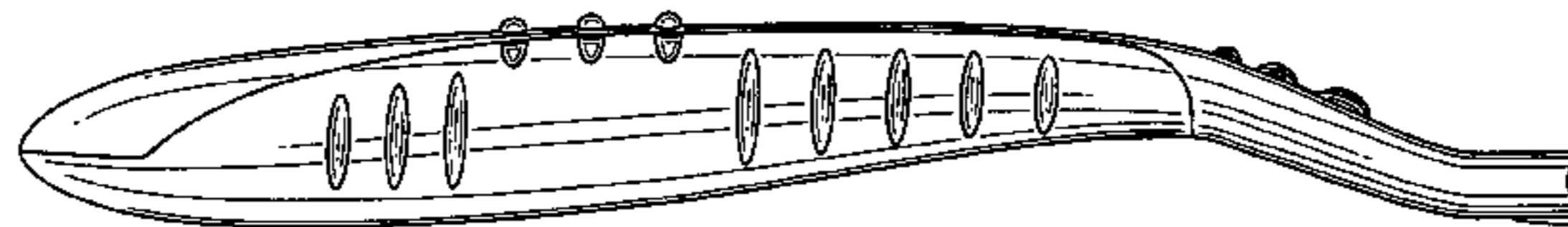
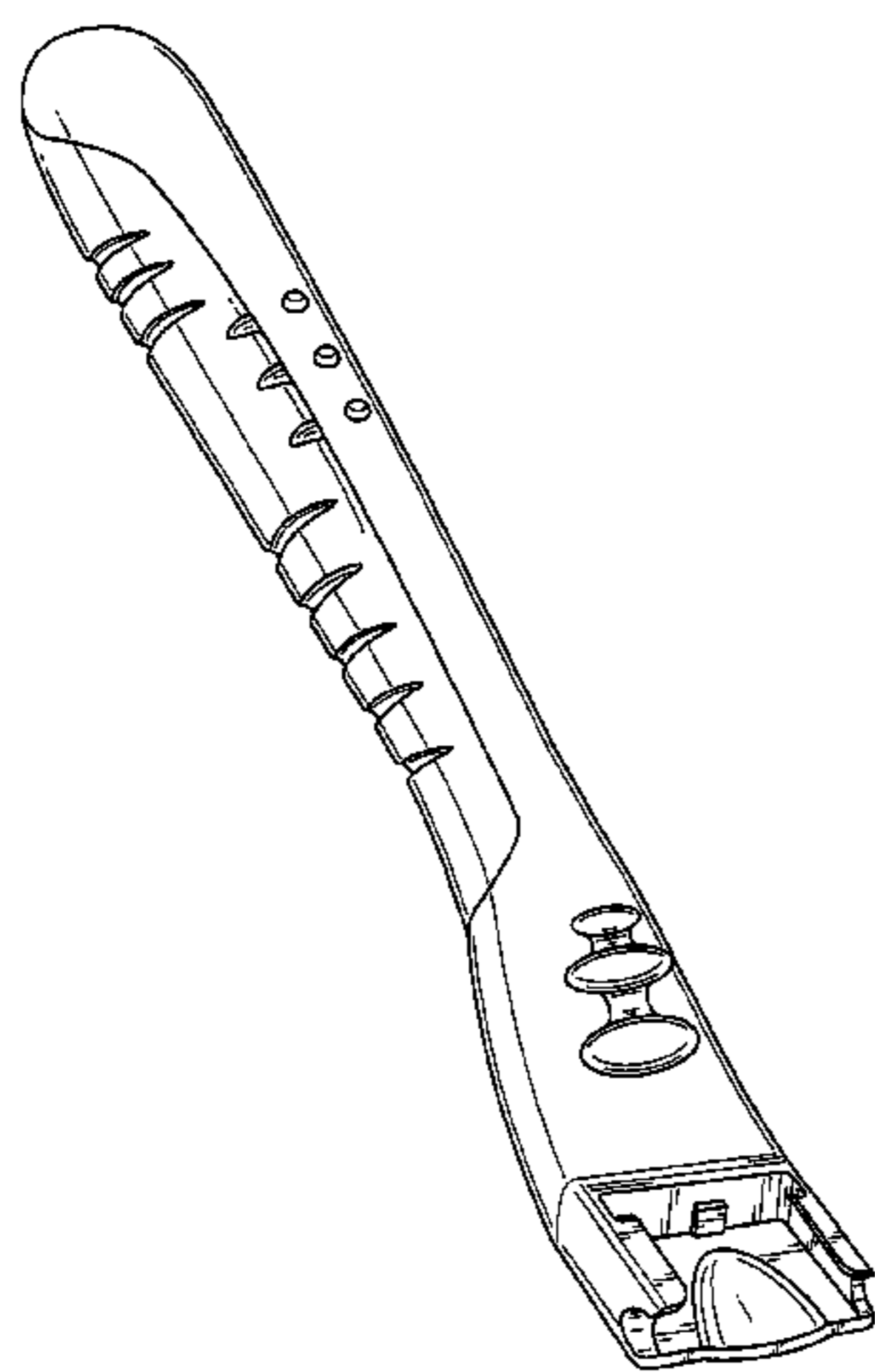
(57) **CLAIM**

The ornamental design for a razor handle, substantially as shown and described.

DESCRIPTION

FIG. 1 is a front perspective view of the razor handle showing the new design;
FIG. 2 is a front view of the razor handle;
FIG. 3 is a rear view of the razor handle;
FIG. 4 is a side view of the razor handle;
FIG. 5 is another side view of the razor handle;
FIG. 6 is a top view of the razor handle; and,
FIG. 7 is a bottom view of the razor handle.

1 Claim, 6 Drawing Sheets



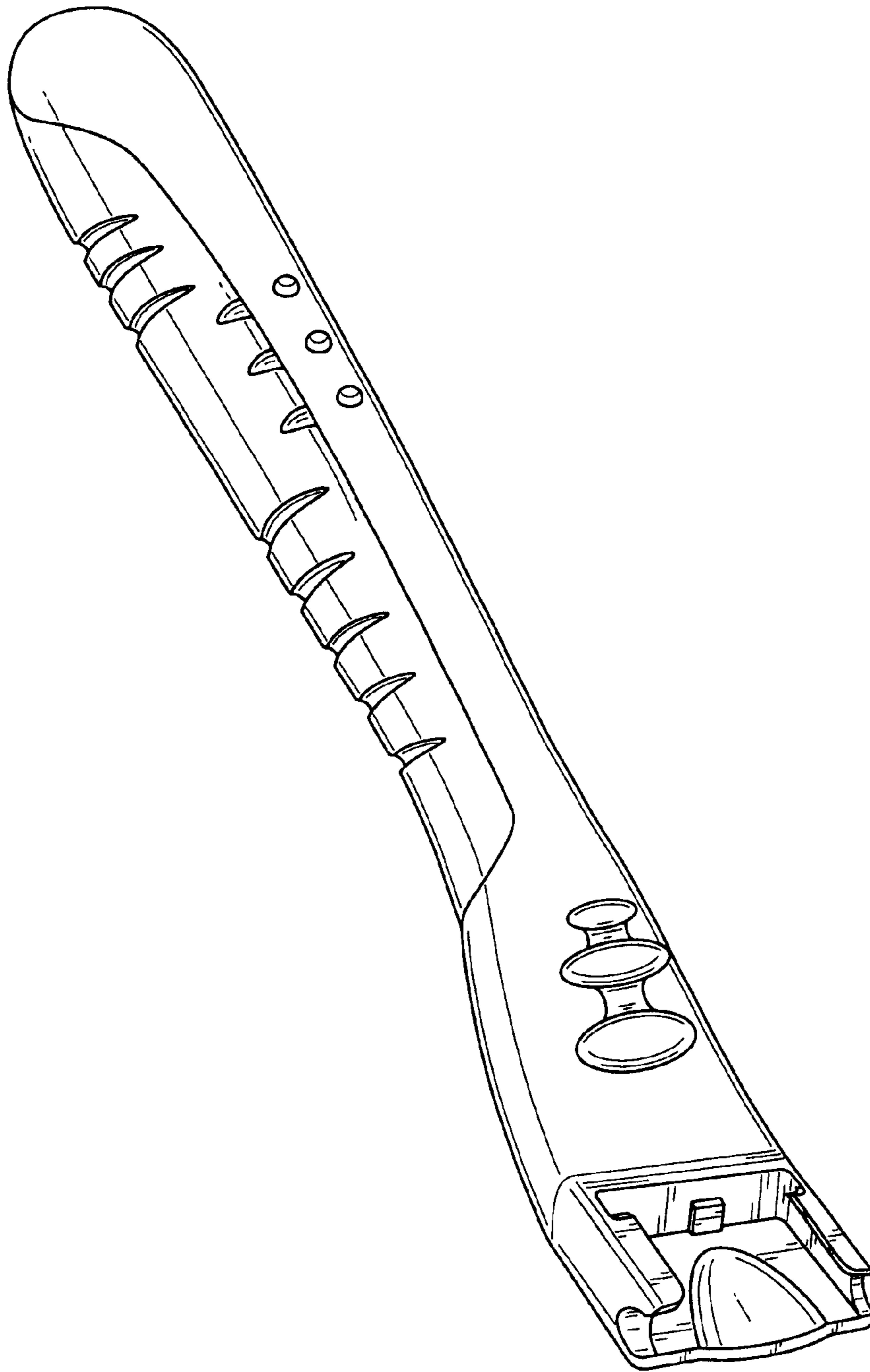


FIG. 1

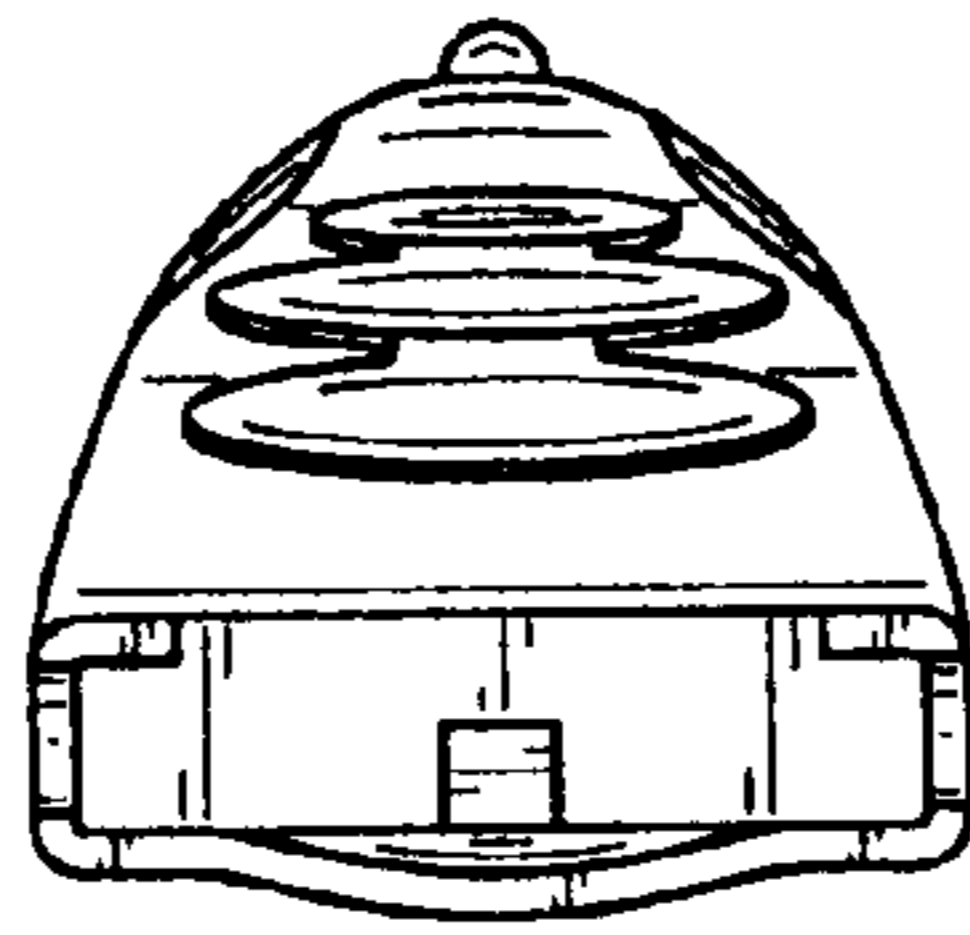


FIG. 2

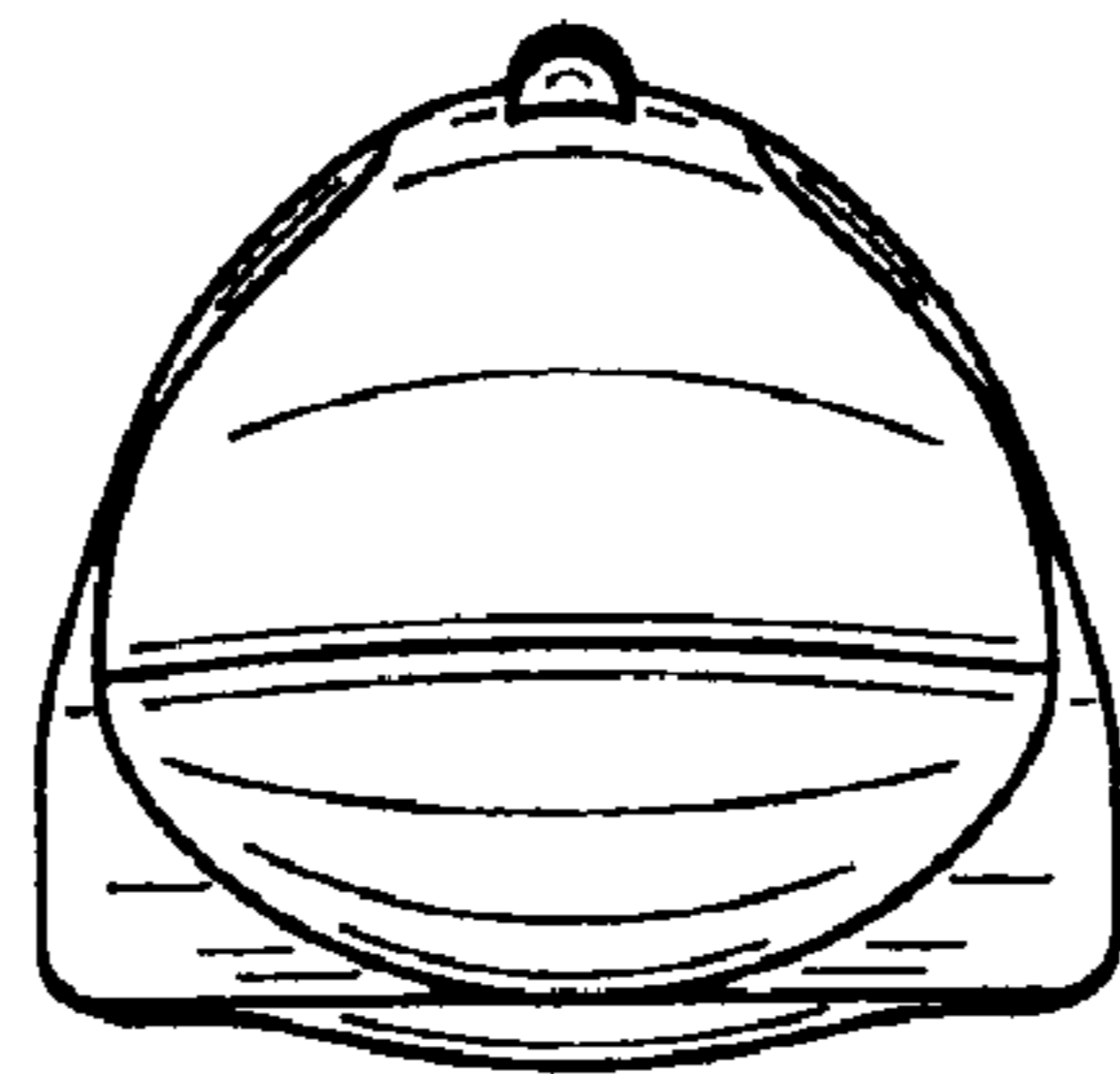


FIG. 3

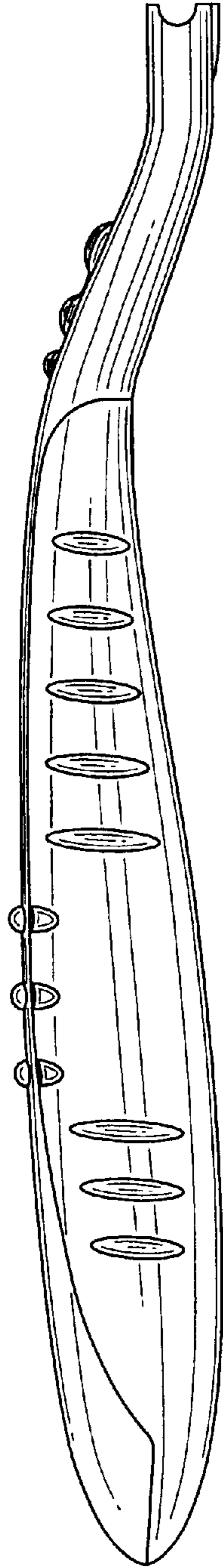


FIG. 4

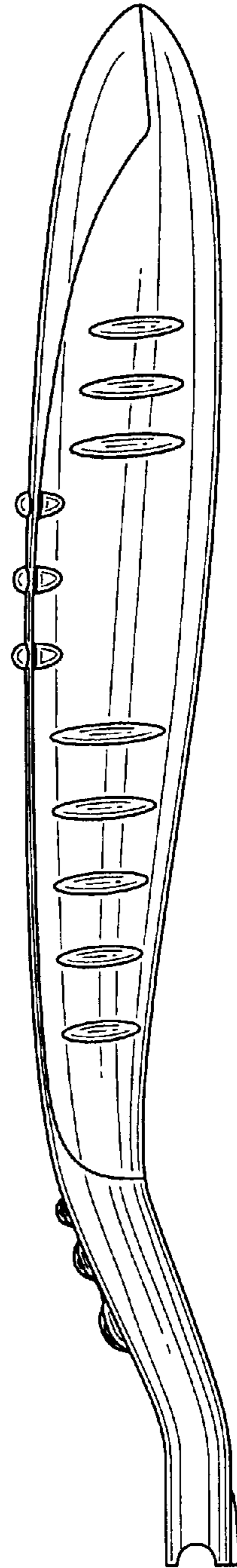


FIG. 5

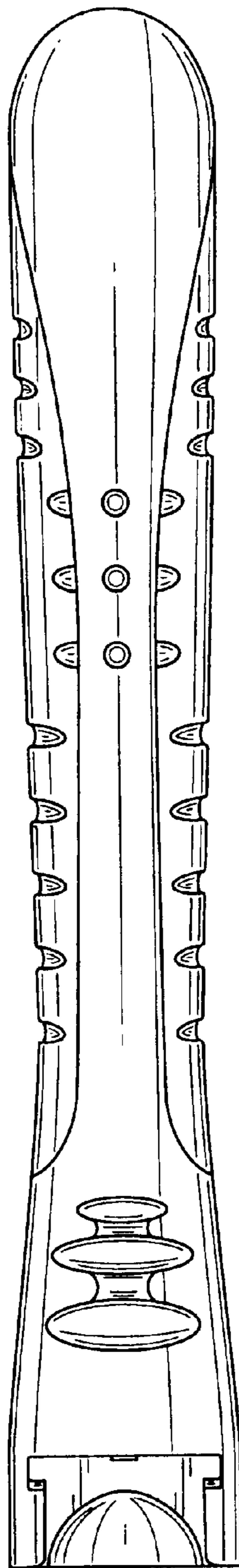


FIG. 6

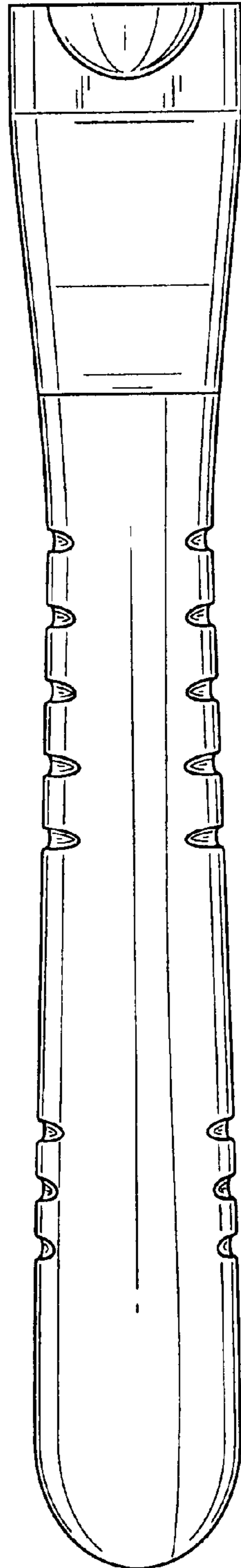


FIG. 7