



US00D527484S

(12) **United States Design Patent**
Fussell et al.

(10) **Patent No.:** **US D527,484 S**

(45) **Date of Patent:** **** Aug. 29, 2006**

(54) **CANDLE LAMP**

(76) Inventors: **David A. Fussell**, 1069 Laurel Grove Ct., Suwanee, GA (US) 20034-6975;
James W. Gibboney, Jr., 3910 Dial Mill Rd., Conyers, GA (US) 30208

(**) Term: **14 Years**

(21) Appl. No.: **29/234,147**

(22) Filed: **Jul. 14, 2005**

(51) **LOC (8) Cl.** **26-03**

(52) **U.S. Cl.** **D26/96**

(58) **Field of Classification Search** D26/6,
D26/9-11, 20, 22, 93-112; 362/410-414,
362/161, 392, 806, 810

See application file for complete search history.

(56) **References Cited**

U.S. PATENT DOCUMENTS

1,225,491 A * 5/1917 Recker 362/190

D432,258 S * 10/2000 Fussell et al. D26/96

D474,302 S * 5/2003 Jensen D26/96
6,808,297 B1 * 10/2004 Jensen et al. 362/810 X
2005/0254239 A1 * 11/2005 Lin 362/227

* cited by examiner

Primary Examiner—Alan P. Douglas

Assistant Examiner—Linda Brooks

(74) *Attorney, Agent, or Firm*—Michael A. Mann, Esq.;
Nexsen Pruet, LLC

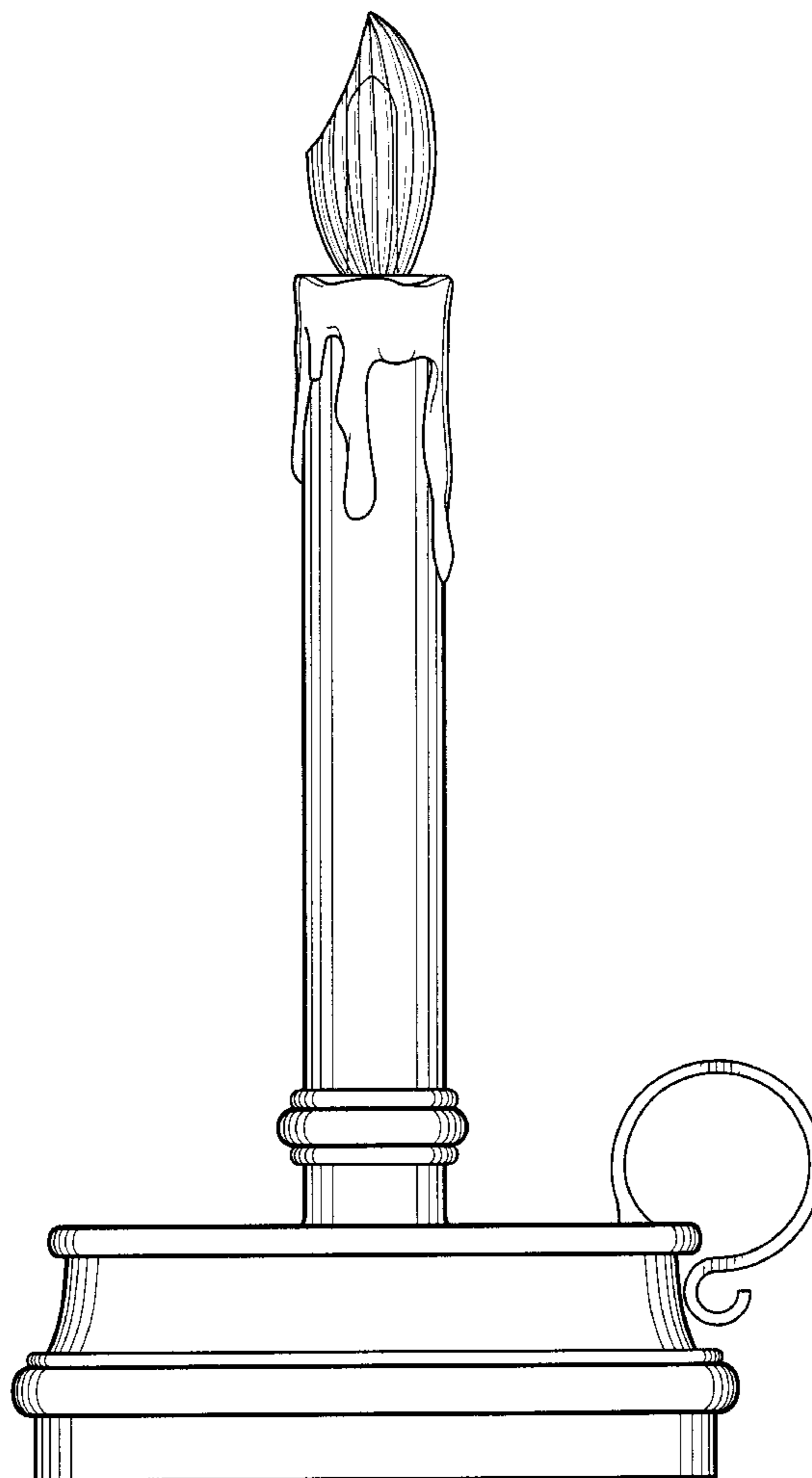
(57) **CLAIM**

I claim the ornamental design for a candle lamp, as shown and described.

DESCRIPTION

FIG. 1 is a left side view thereof;
FIG. 2 is a right side view thereof;
FIG. 3 is a rear view thereof;
FIG. 4 is a front view thereof;
FIG. 5 is top view thereof; and,
FIG. 6 is a bottom view thereof.

1 Claim, 4 Drawing Sheets



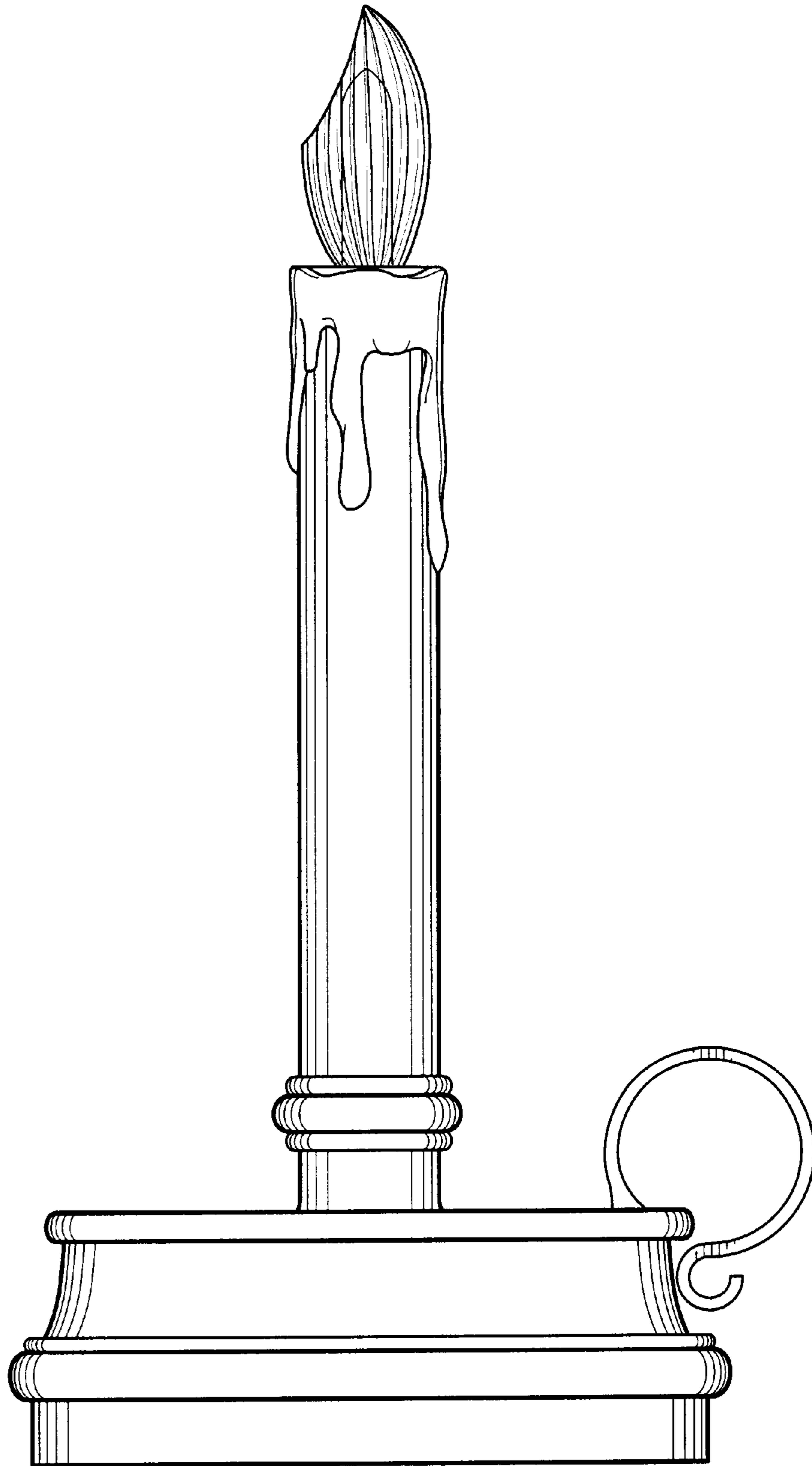


FIG. 1

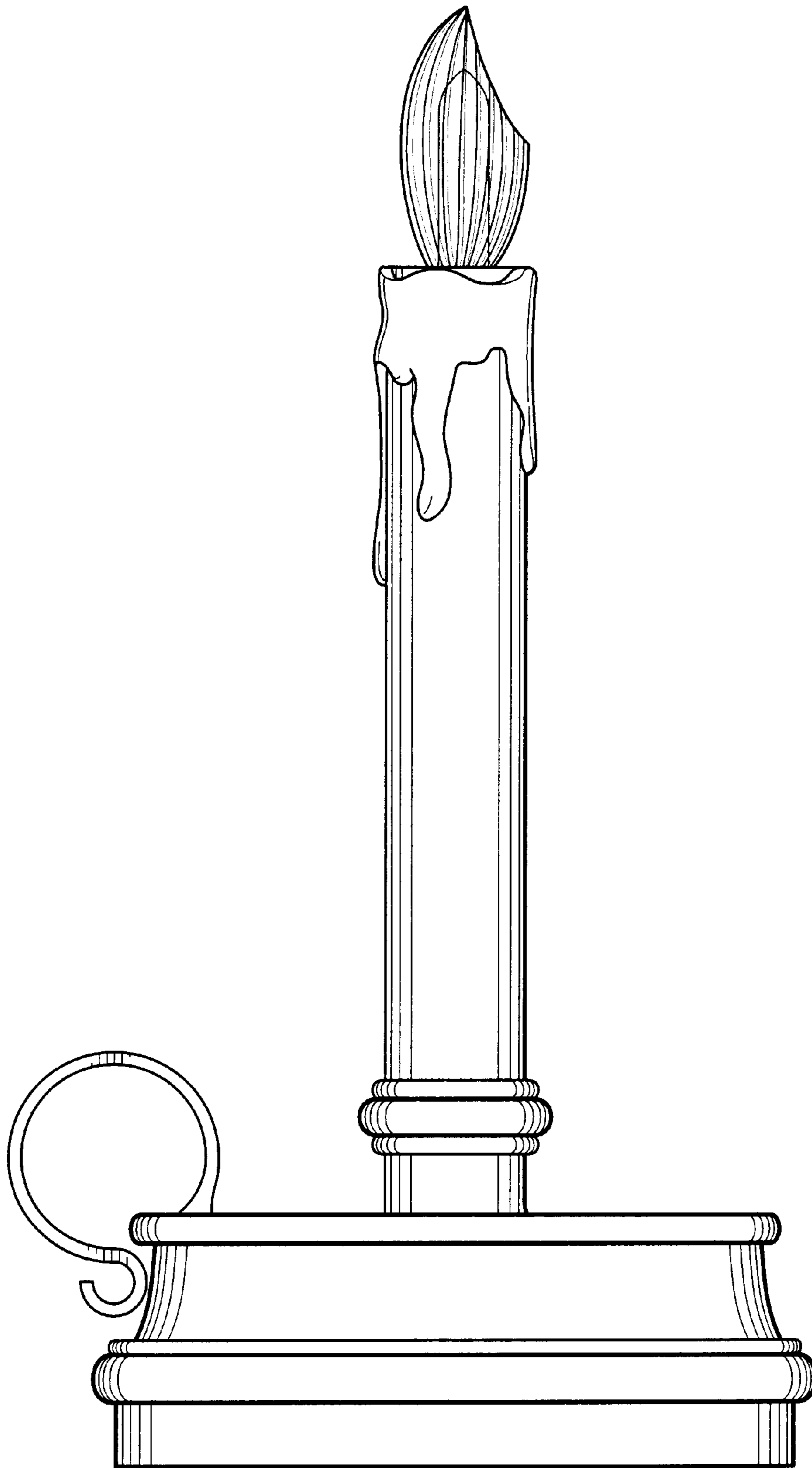


FIG. 2

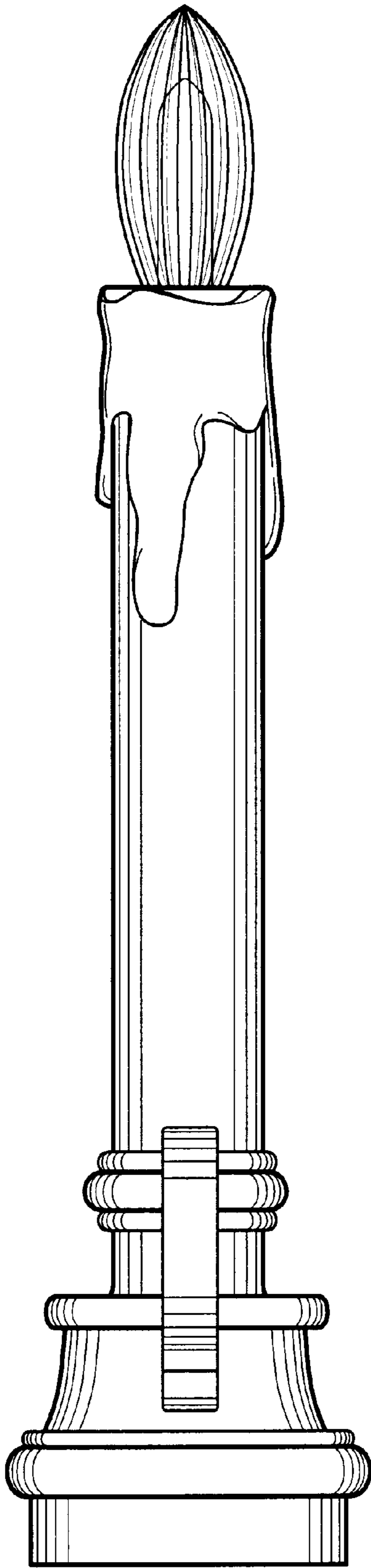


FIG. 3

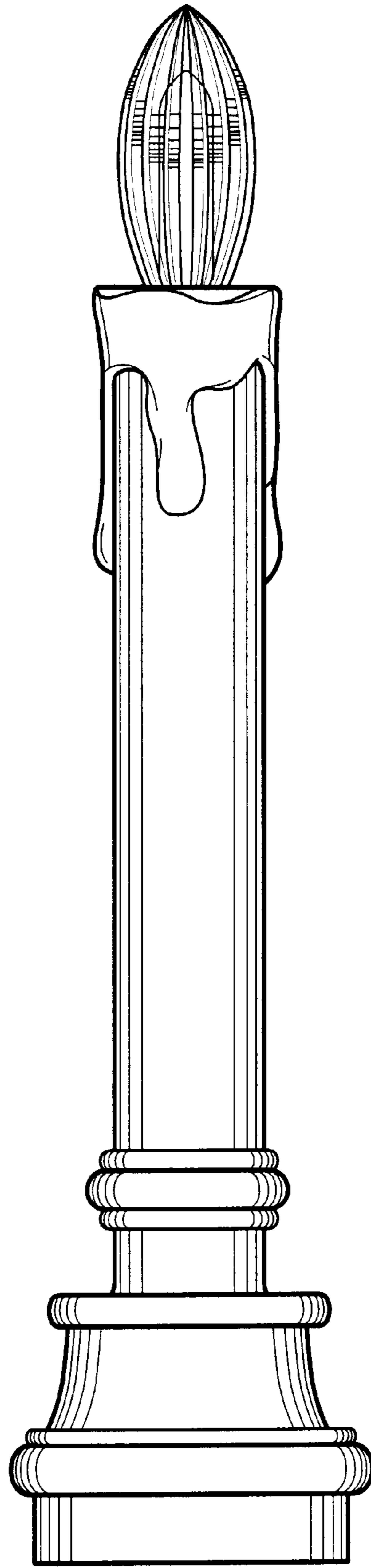


FIG. 4

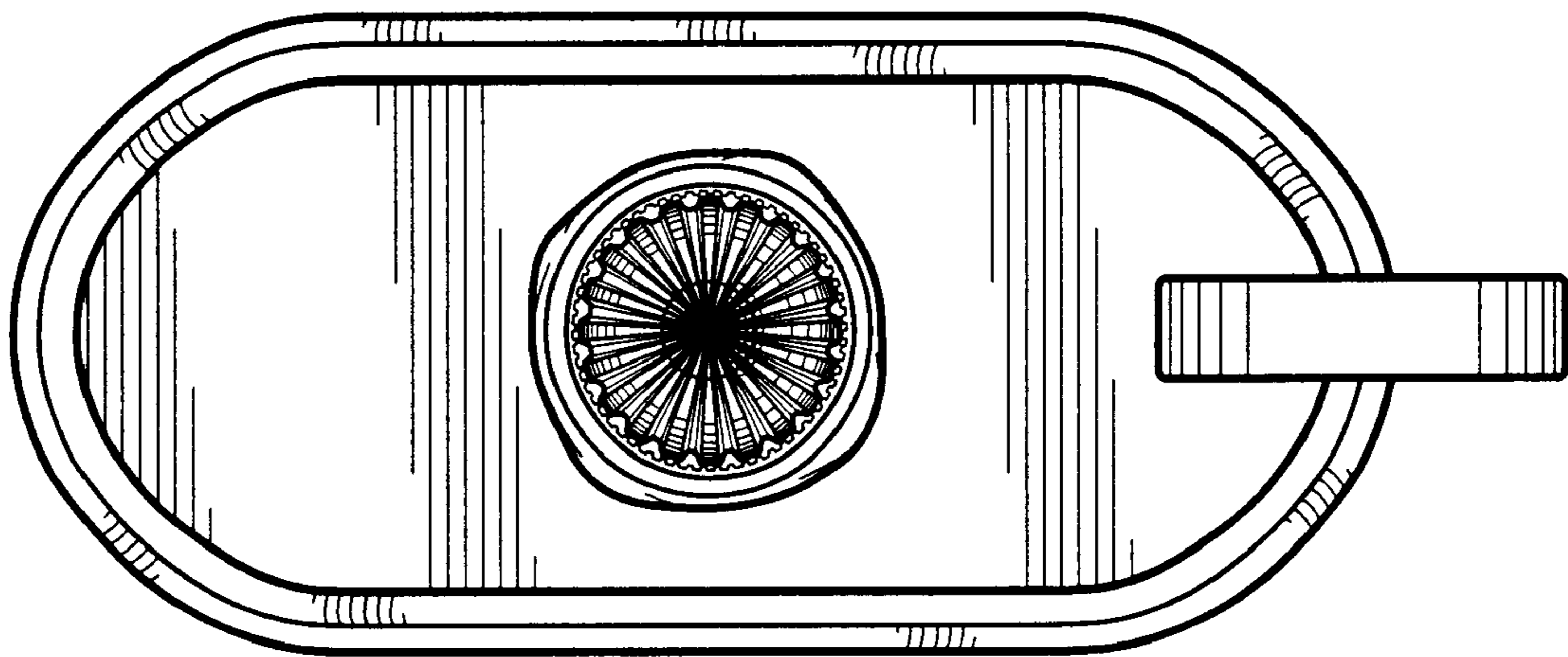


FIG. 5

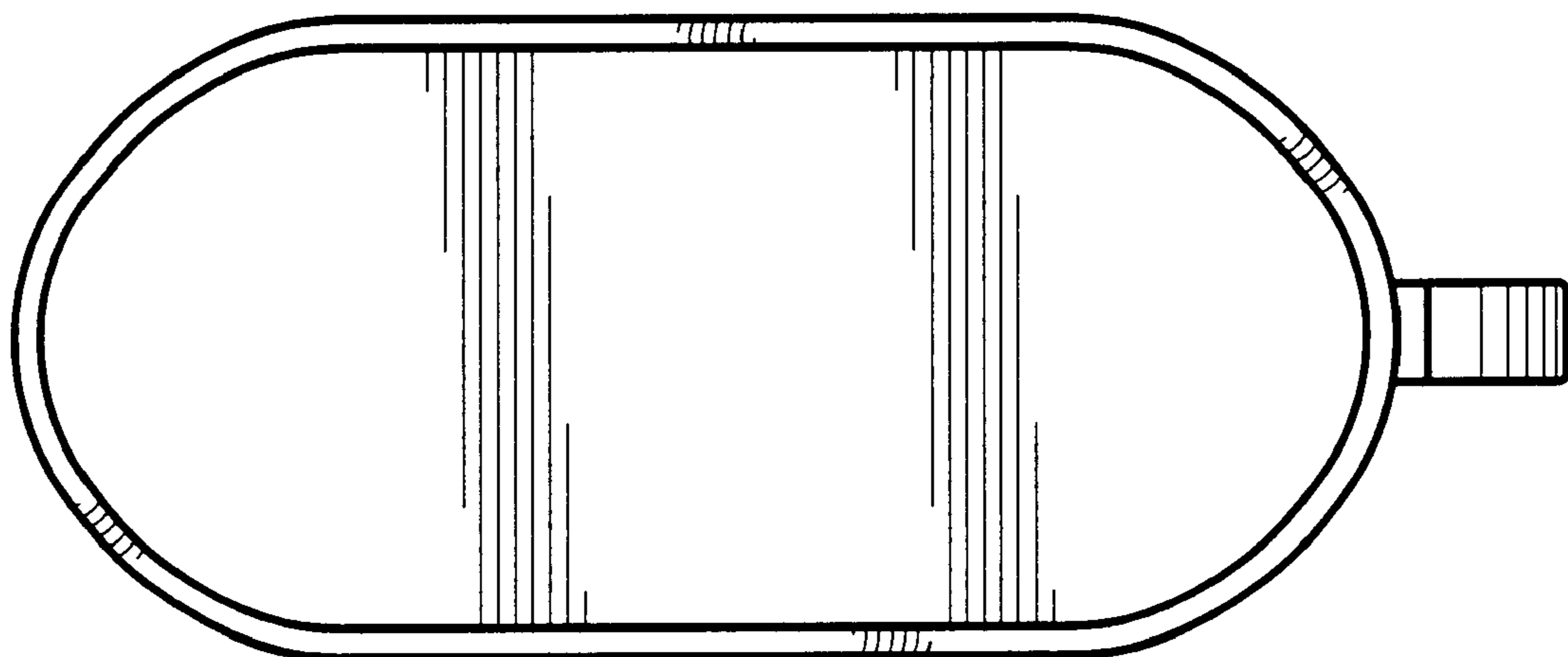


FIG. 6