

US00D527483S

(12) **United States Design Patent**
McCarthy, III

(10) **Patent No.:** **US D527,483 S**

(45) **Date of Patent:** **** Aug. 29, 2006**

(54) **SCONCE-TYPE LIGHTING FIXTURE**

(75) Inventor: **Charles A. McCarthy, III**, Gurnee, IL
(US)

(73) Assignee: **Kenall Manufacturing Company**,
Gurnee, IL (US)

(**) Term: **14 Years**

(21) Appl. No.: **29/204,885**

(22) Filed: **May 5, 2004**

(51) **LOC (8) Cl.** **26-03**

(52) **U.S. Cl.** **D26/85; D26/72**

(58) **Field of Classification Search** D26/72,
D26/76, 80-92; 362/147, 432, 404-408
See application file for complete search history.

(56) **References Cited**

U.S. PATENT DOCUMENTS

D110,165 S	*	6/1938	Arenberg	D26/85
D114,329 S	*	4/1939	Gregg	D26/86
D122,582 S	*	9/1940	Biller	D26/76
2,291,488 A	*	7/1942	Naysmith	362/222
D136,797 S	*	12/1943	Mareck	D26/76
D140,299 S	*	2/1945	Creed	D26/76

D141,068 S	*	5/1945	Maurette	D26/76
D151,626 S	*	11/1948	Kress	D26/85
D160,791 S	*	11/1950	Kushner	D26/85
D180,537 S	*	6/1957	Stevens	D26/76
D213,391 S	*	2/1969	Bruno	D26/86
D421,505 S	*	3/2000	Hastings et al.	D26/76
D444,587 S	*	7/2001	Hastings et al.	D26/76

* cited by examiner

Primary Examiner—Clare E Heflin

(74) *Attorney, Agent, or Firm*—Jasson, Shupe, Munger &
Antaramian, Ltd.

(57) **CLAIM**

The ornamental design for a sconce-type lighting fixture, as shown and described.

DESCRIPTION

FIG. 1 is a perspective view;

FIG. 2 is a top view;

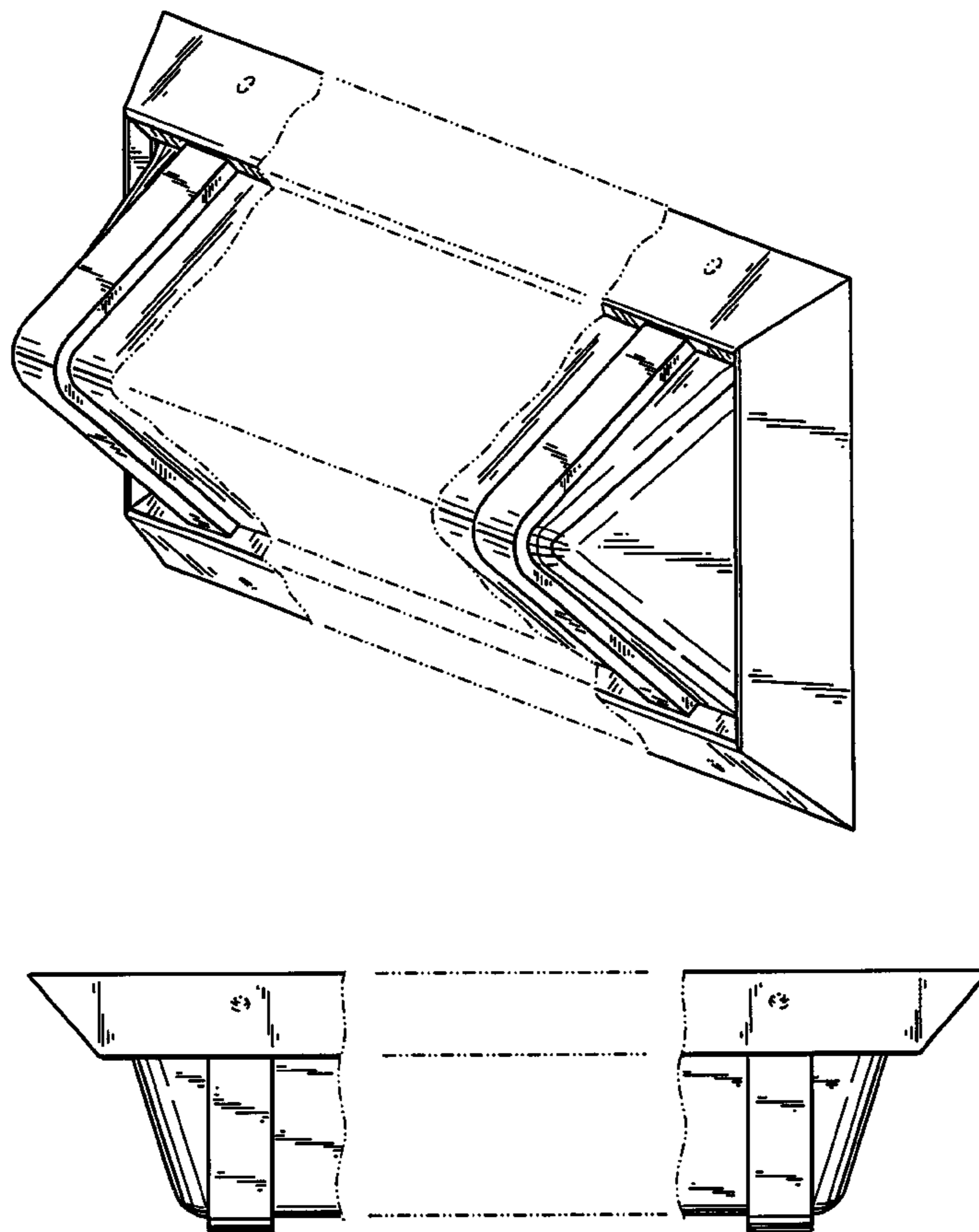
FIG. 3 is a side view;

FIG. 4 is an end view; and,

FIG. 5 is a bottom view.

The broken lines shown on the drawings are for illustrative purposes only and form no part of the claimed design.

1 Claim, 2 Drawing Sheets



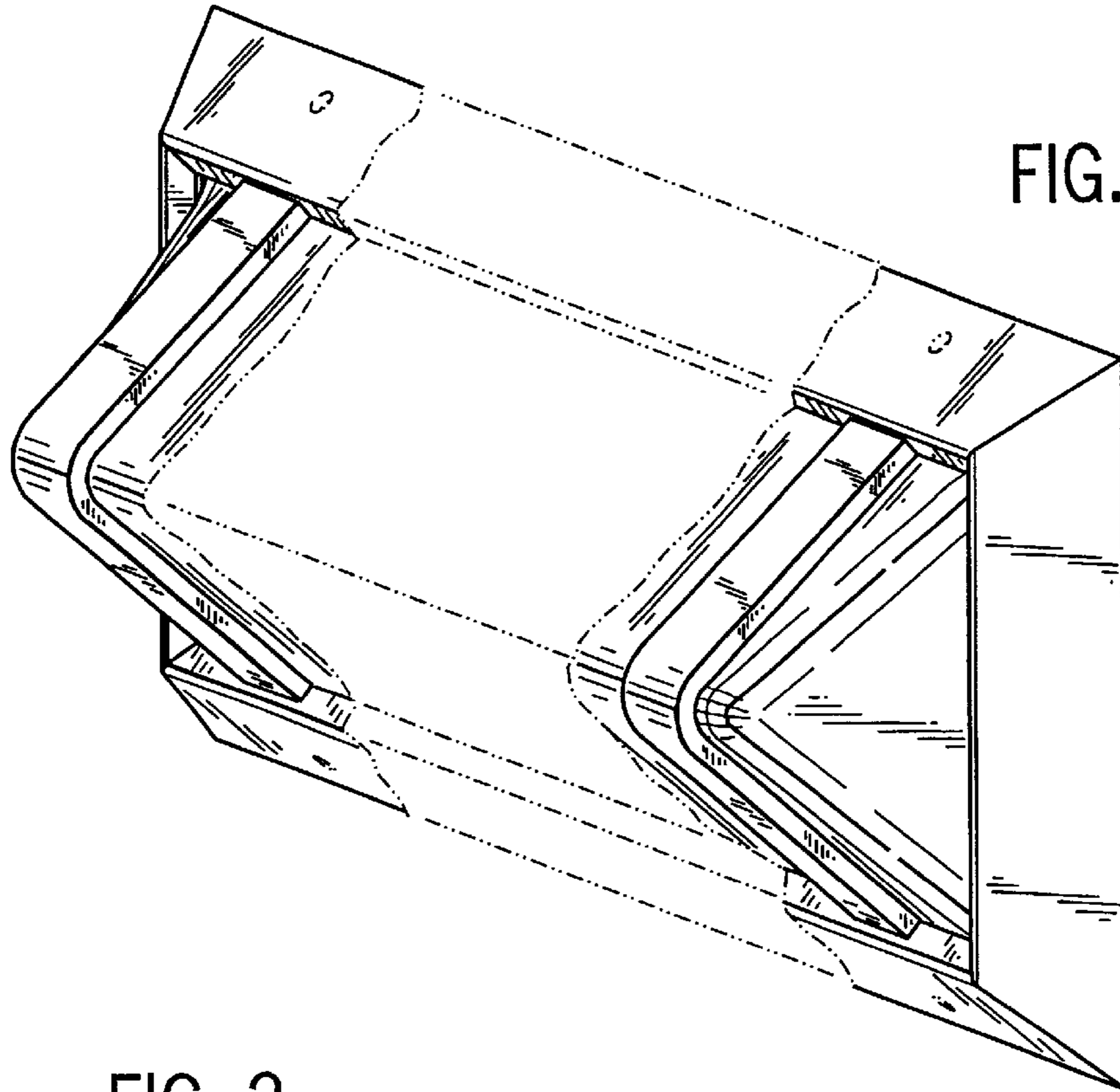


FIG. 1

FIG. 2

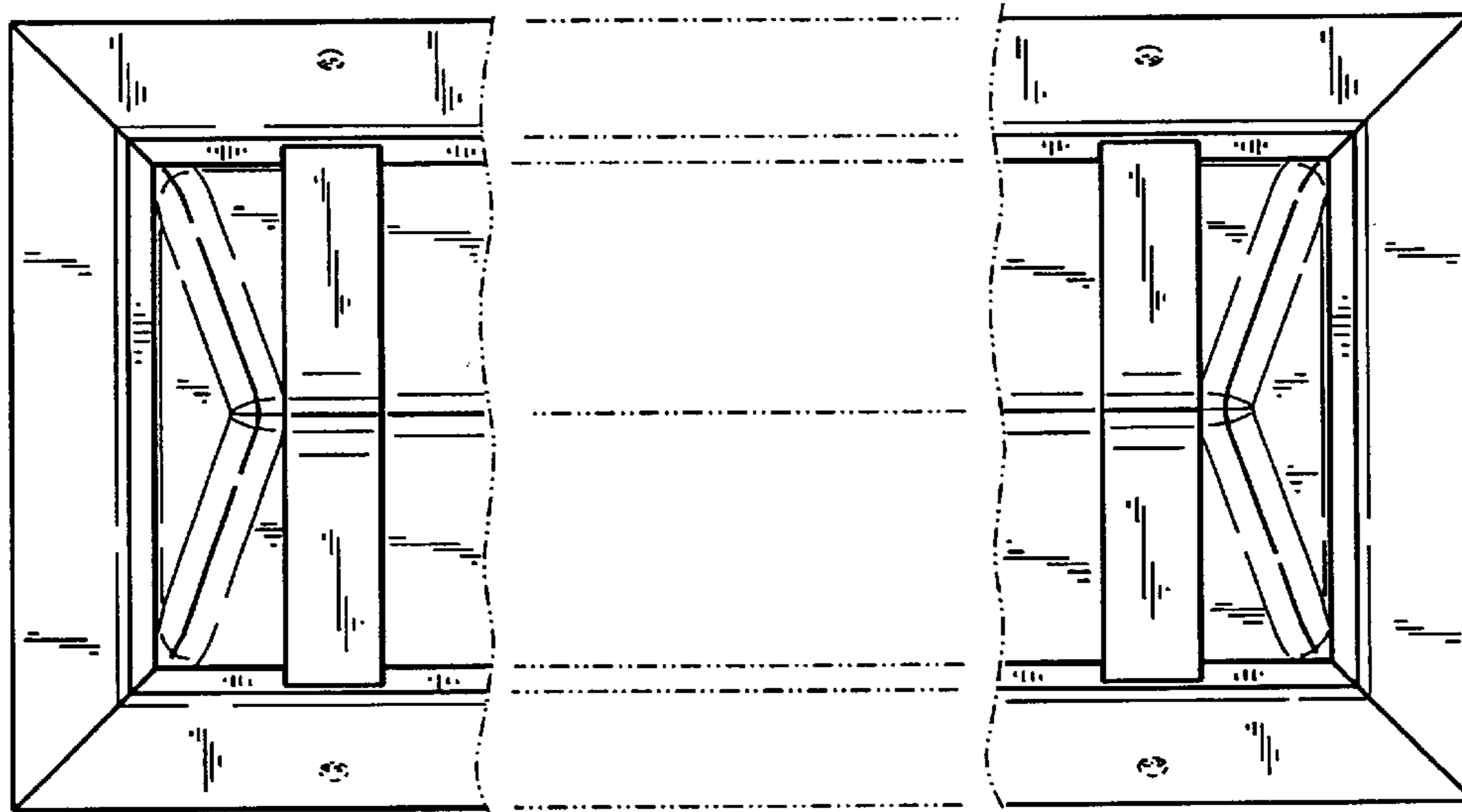


FIG. 3

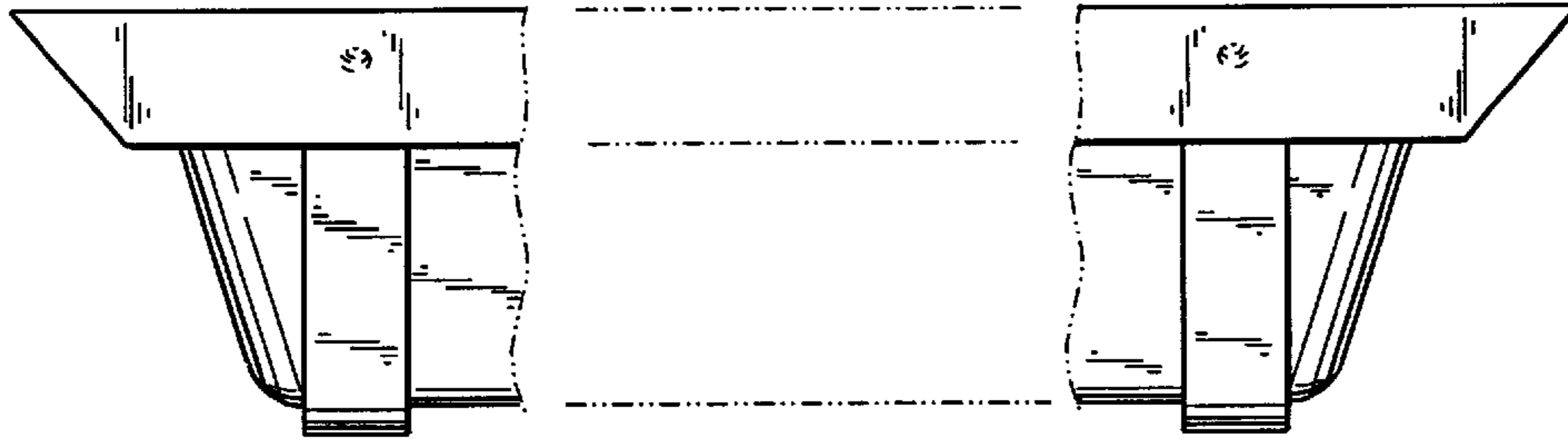


FIG. 4

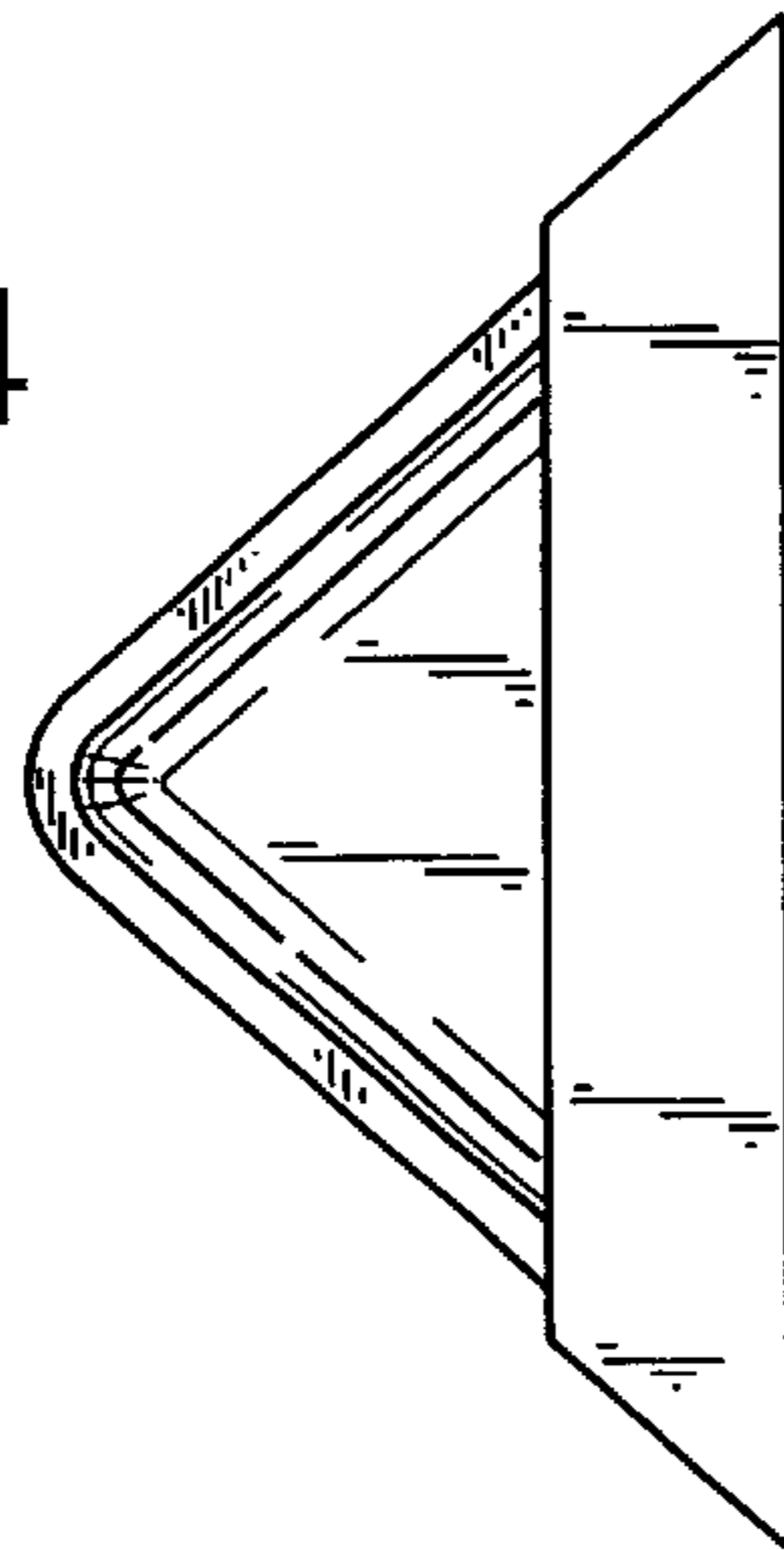


FIG. 5

