



US00D527482S

(12) **United States Design Patent**
Bucher et al.

(10) **Patent No.:** **US D527,482 S**

(45) **Date of Patent:** **** Aug. 29, 2006**

(54) **SOLAR ENERGY LAMP**

(75) Inventors: **John C. Bucher**, Ft. Lauderdale, FL (US); **Tien-San Lowe**, Ft. Lauderdale, FL (US); **Shou-Ping Wang**, Taichung (TW)

(73) Assignee: **King of Fans, Inc.**, Ft. Lauderdale, FL (US)

(**) Term: **14 Years**

(21) Appl. No.: **29/245,111**

(22) Filed: **Dec. 20, 2005**

(51) **LOC (8) Cl.** **26-05**

(52) **U.S. Cl.** **D26/67**

(58) **Field of Classification Search** D26/67-71;
362/152, 183, 431, 410-415

See application file for complete search history.

(56) **References Cited**

U.S. PATENT DOCUMENTS

D50,533 S * 3/1917 Mohrmann D26/67

D97,423 S * 11/1935 Werring D26/67

D212,383 S * 10/1968 D'Ercoll D26/67

D465,296 S * 11/2002 DiPasquale D26/67

D483,138 S * 12/2003 Chen D26/67

* cited by examiner

Primary Examiner—Clare E Heflin

(74) *Attorney, Agent, or Firm*—Morgan, Lewis & Bockius, LLP

(57) **CLAIM**

The ornamental design for a solar energy lamp, as shown and described.

DESCRIPTION

FIG. 1 is a perspective view of solar energy lamp showing our new design;

FIG. 2 is a front elevational view thereof;

FIG. 3 is a rear elevational view thereof;

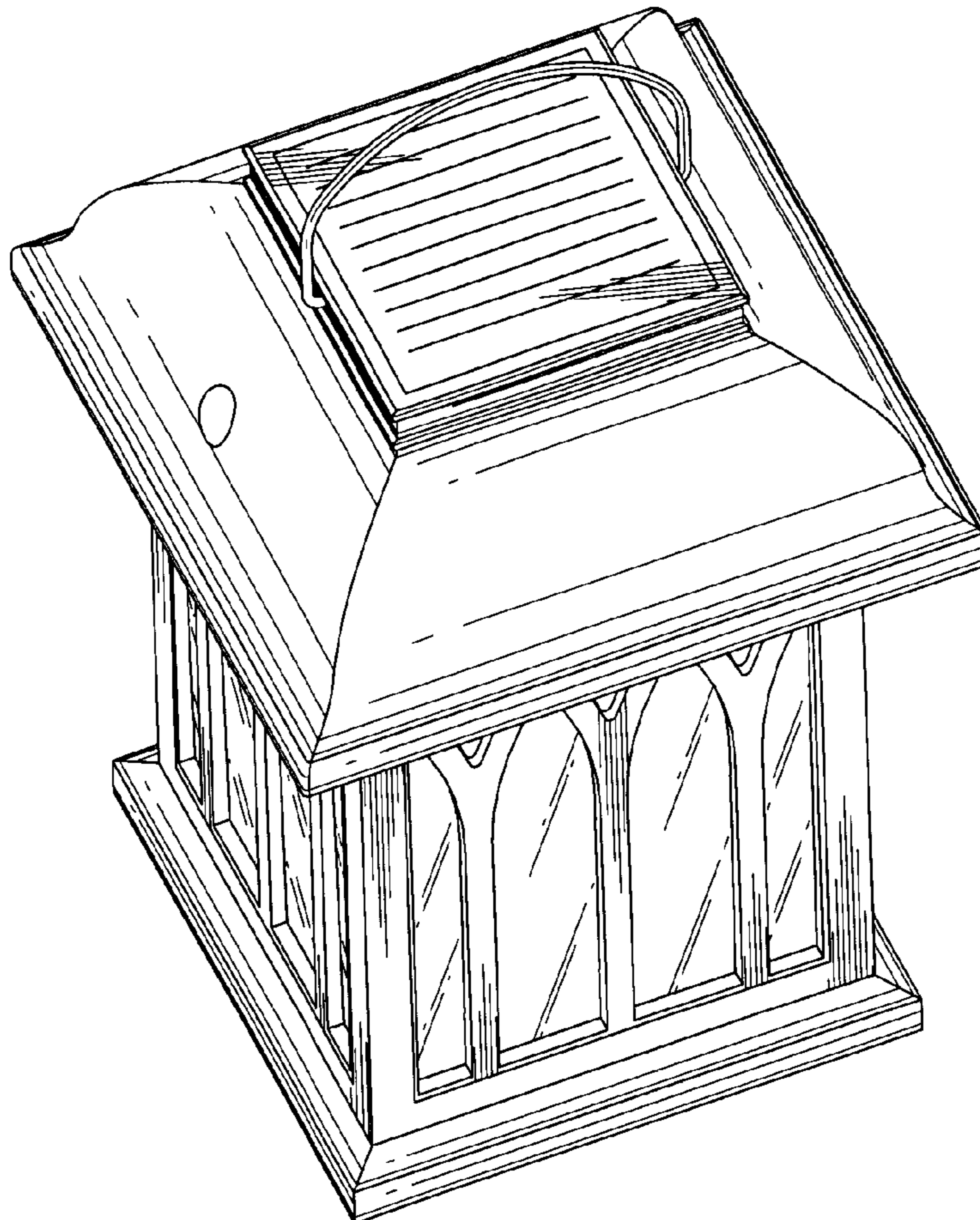
FIG. 4 is a left side elevational view thereof;

FIG. 5 is a right side elevational view thereof;

FIG. 6 is a top plan view thereof; and,

FIG. 7 is a bottom plan view thereof.

1 Claim, 4 Drawing Sheets



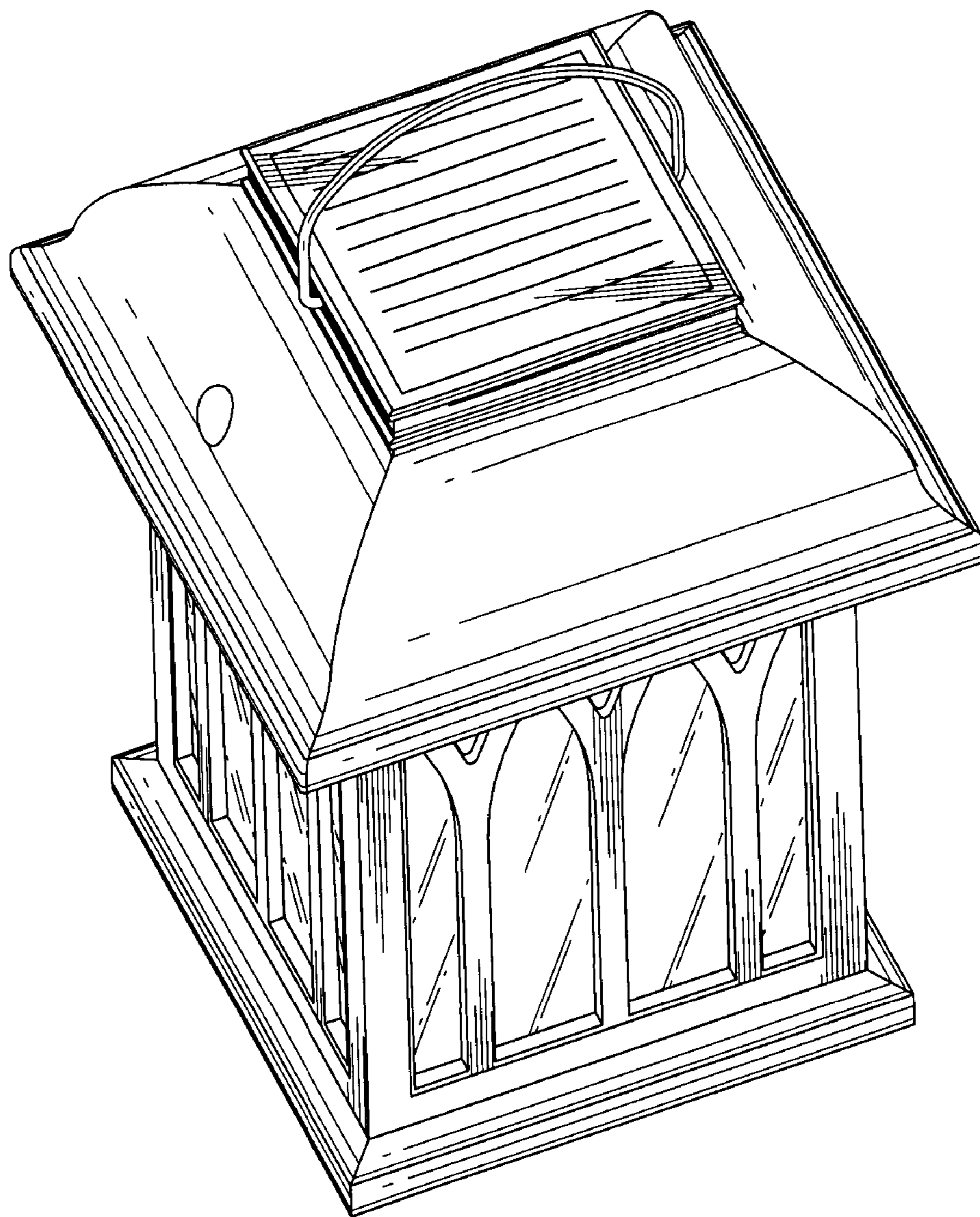


FIG. 1

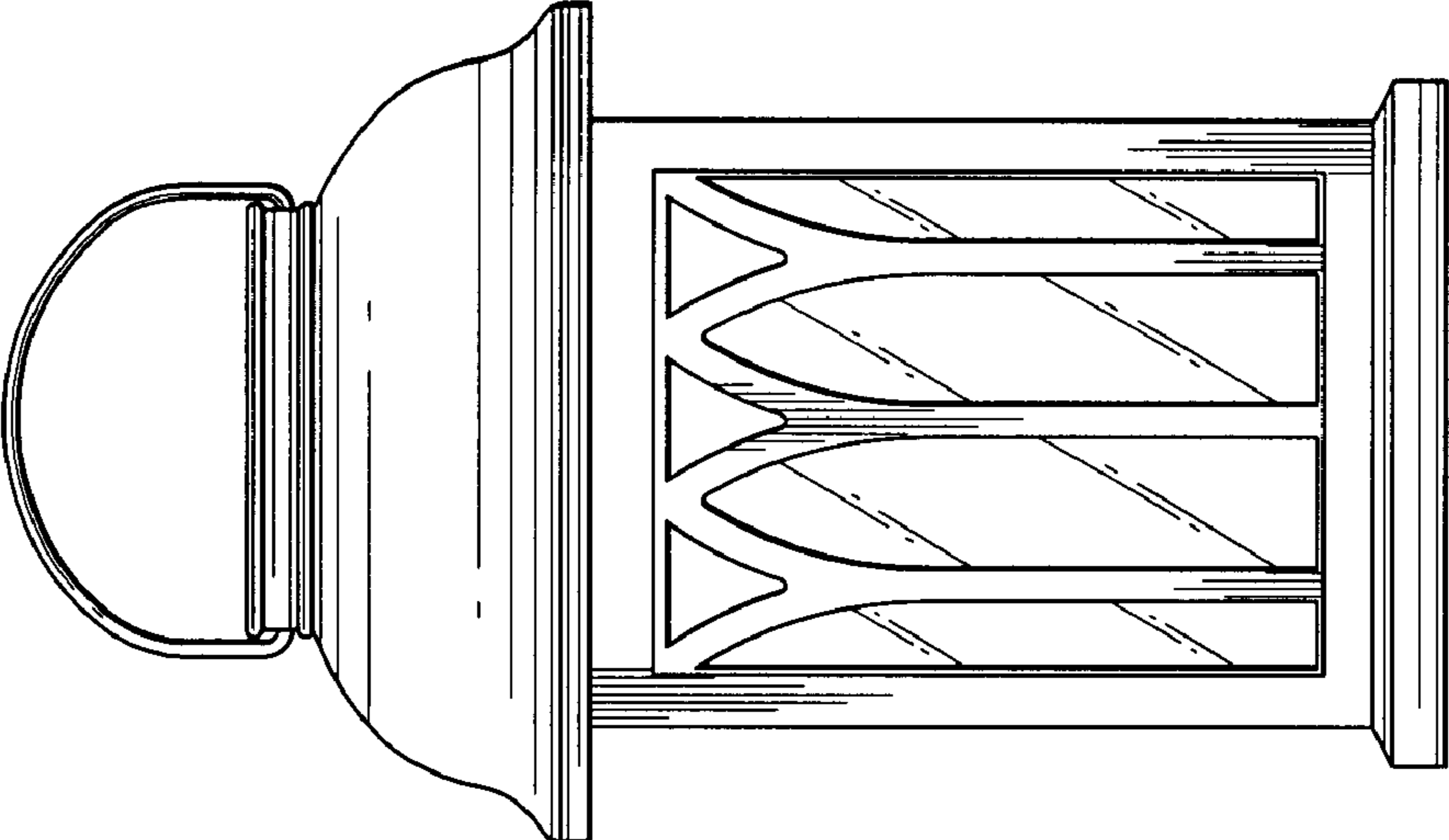


FIG. 3

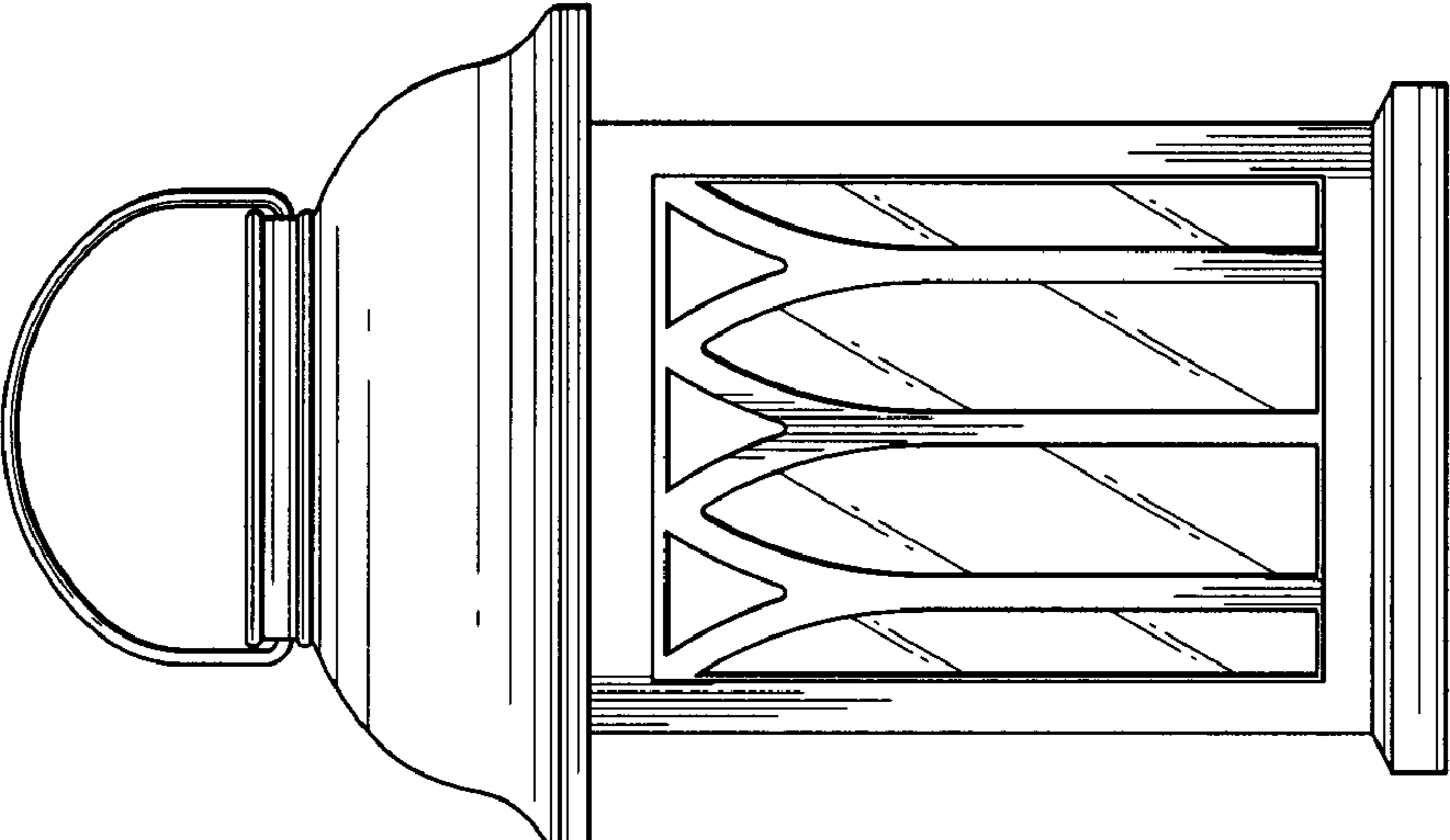


FIG. 2

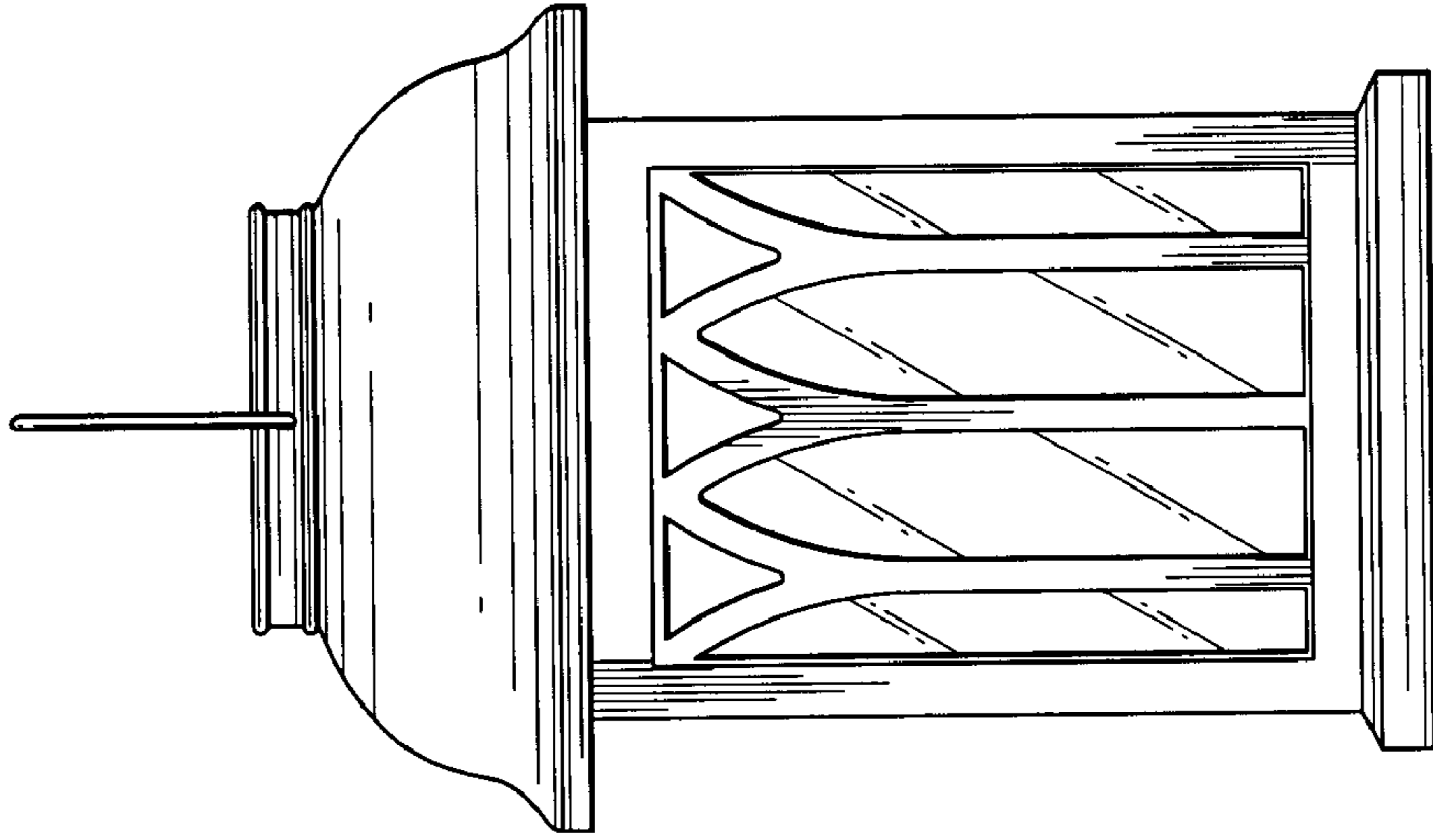


FIG. 5

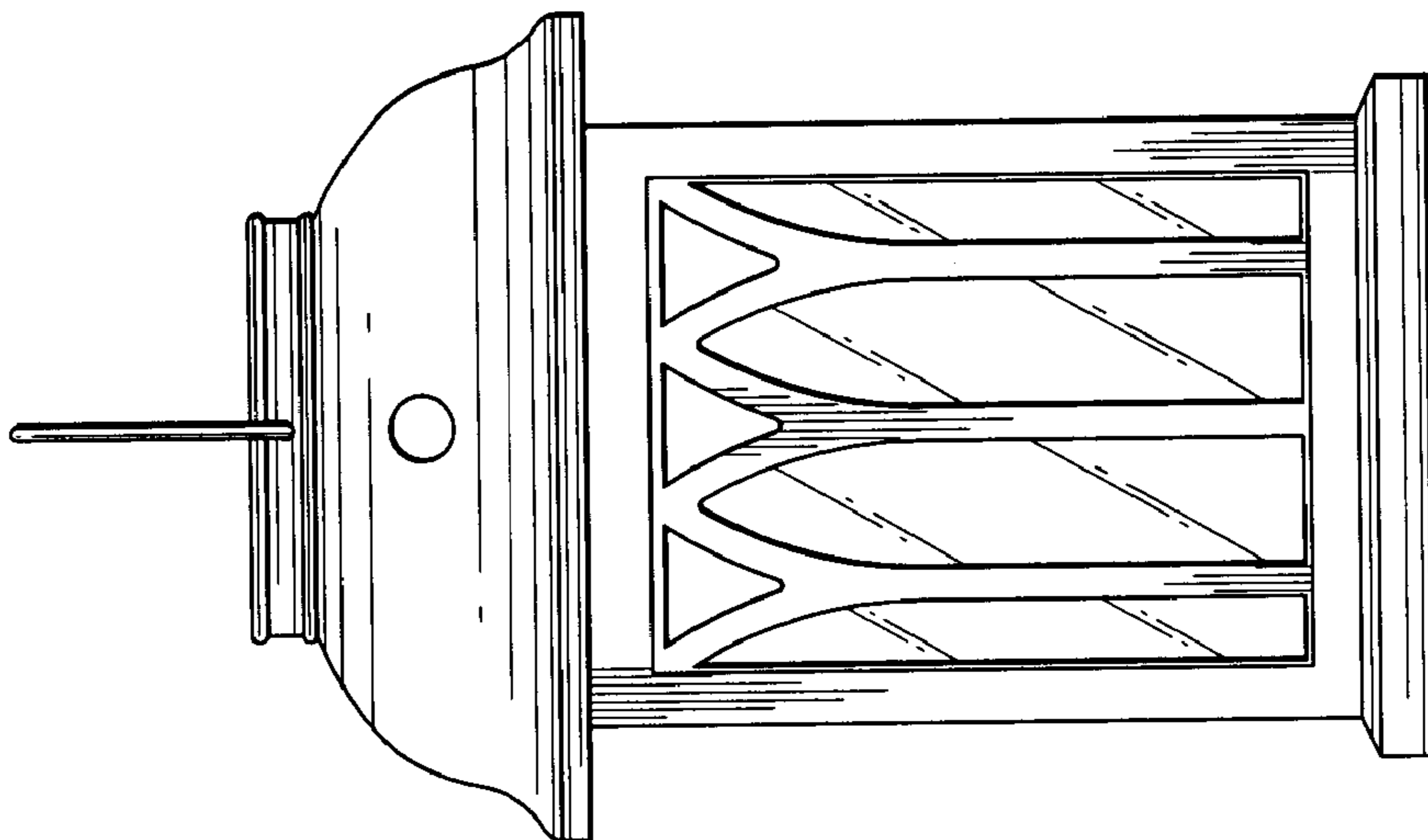


FIG. 4

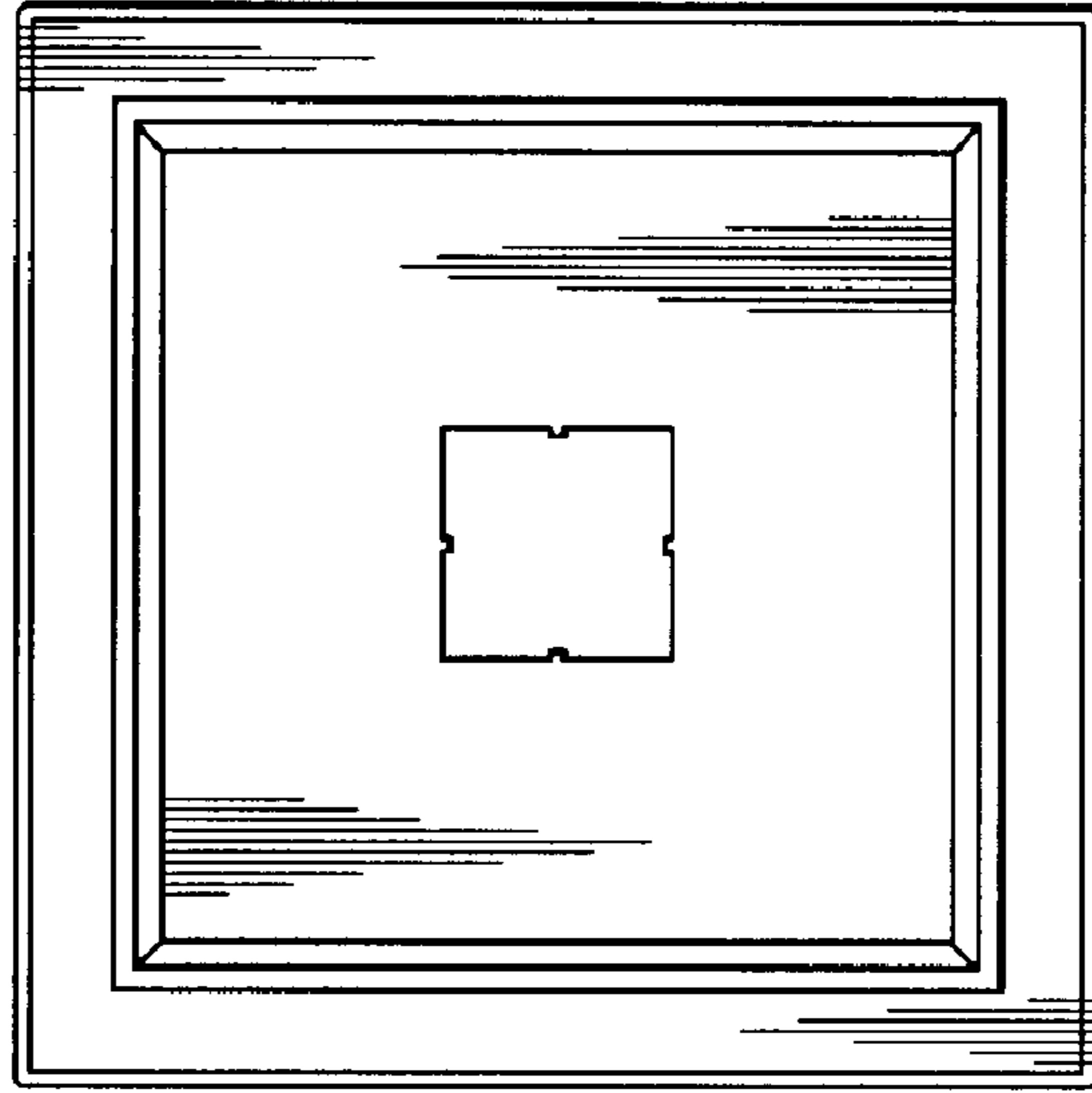


FIG. 7

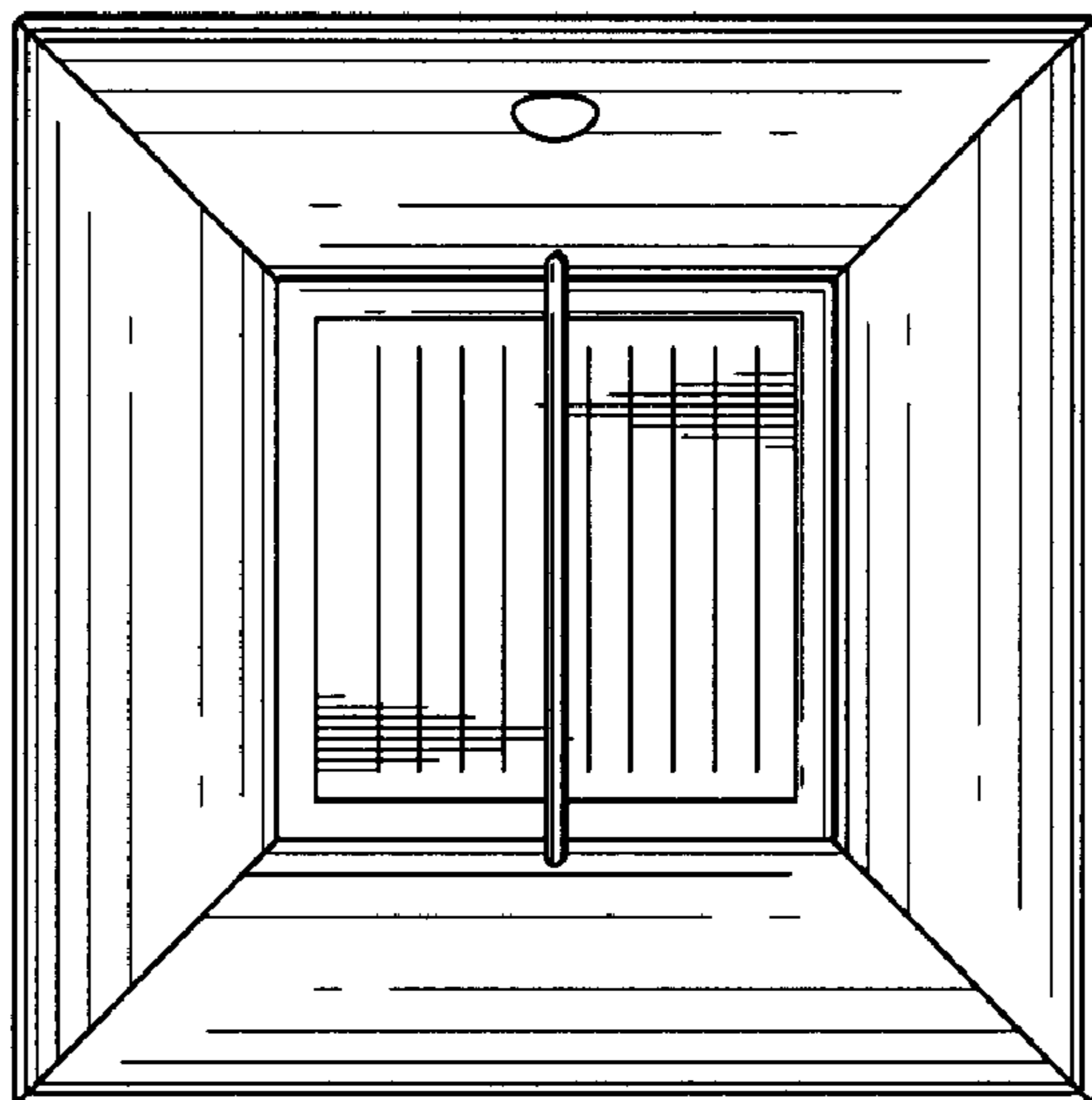


FIG. 6