



US00D527480S

(12) **United States Design Patent**
Yuen

(10) **Patent No.:** **US D527,480 S**

(45) **Date of Patent:** **** Aug. 29, 2006**

(54) **RECHARGEABLE HALOGEN SEARCH LIGHT**

(76) Inventor: **Se Kit Yuen**, 6/F., Yau Lee Centre, 45 Hoi Yuen Road, Kwun Tong, Kowloon, Hong Kong (CN)

(**) Term: **14 Years**

(21) Appl. No.: **29/221,509**

(22) Filed: **Jan. 18, 2005**

(30) **Foreign Application Priority Data**

Nov. 30, 2004 (HK) 0412700

(51) **LOC (8) Cl.** **26-02**

(52) **U.S. Cl.** **D26/46**

(58) **Field of Classification Search** D26/37-50;
362/157, 158, 171-174, 183-208

See application file for complete search history.

(56) **References Cited**

U.S. PATENT DOCUMENTS

D425,229 S * 5/2000 Poon D26/46
D430,323 S * 8/2000 Yuen D26/46

D497,297 S * 10/2004 Wacker et al. D8/62

* cited by examiner

Primary Examiner—Marcus A. Jackson

(57) **CLAIM**

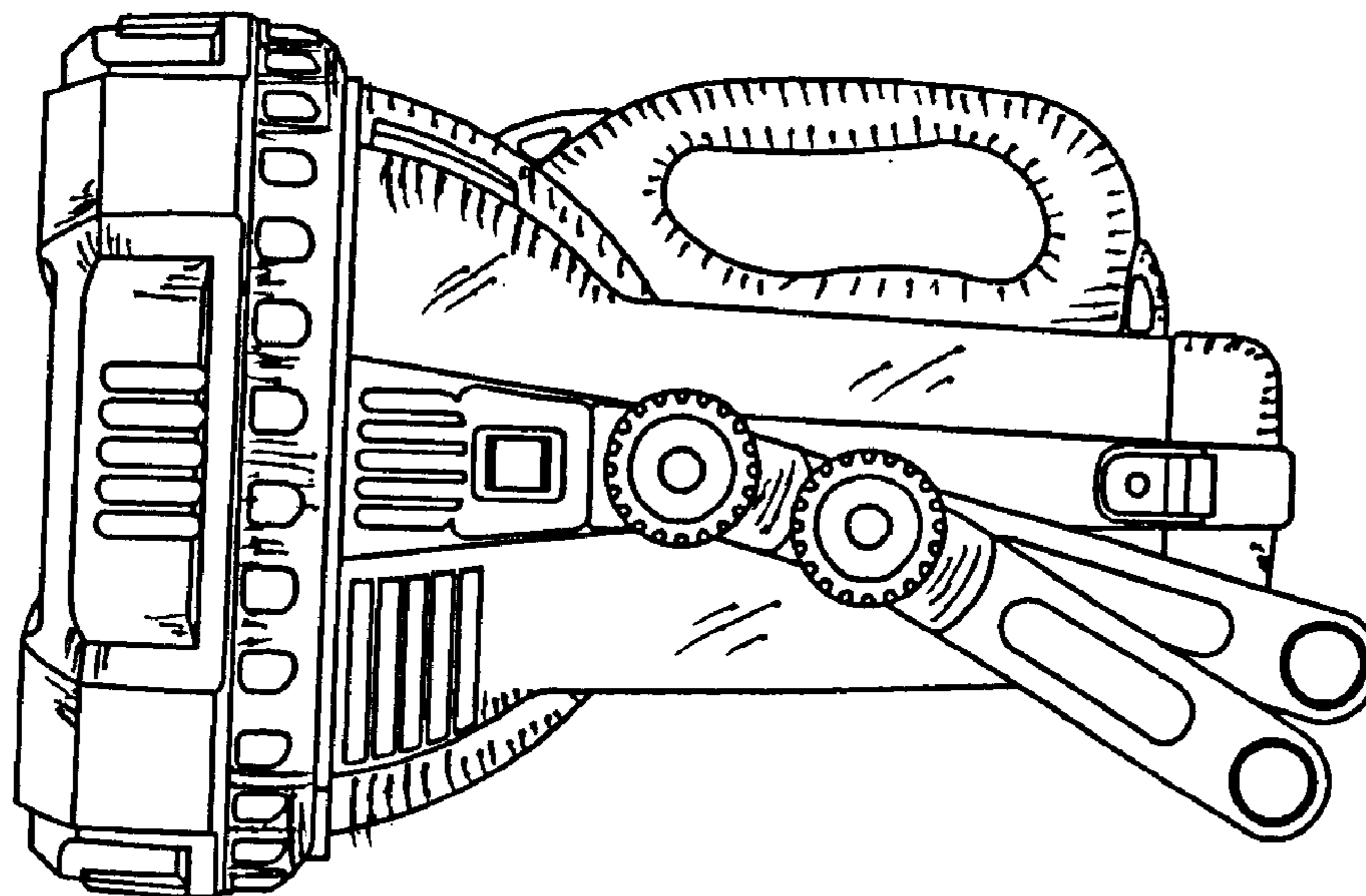
The ornamental design for a rechargeable halogen search light, as shown and described.

DESCRIPTION

FIG. 1 is a front view showing my new design.
FIG. 2 is a rear view thereof.
FIG. 3 is a side end view thereof.
FIG. 4 is other side view thereof.
FIG. 5 is a plan view thereof.
FIG. 6 is an underneath view thereof.
FIG. 7 is a front isometric view thereof.
FIG. 8 is a rear isometric view thereof; and,
FIG. 9 is a front isometric view showing the support legs thereof.

The surface(s) or portion(s) of the article not shown in the drawing or described in the specification form(s) no part of the claimed design.

1 Claim, 9 Drawing Sheets



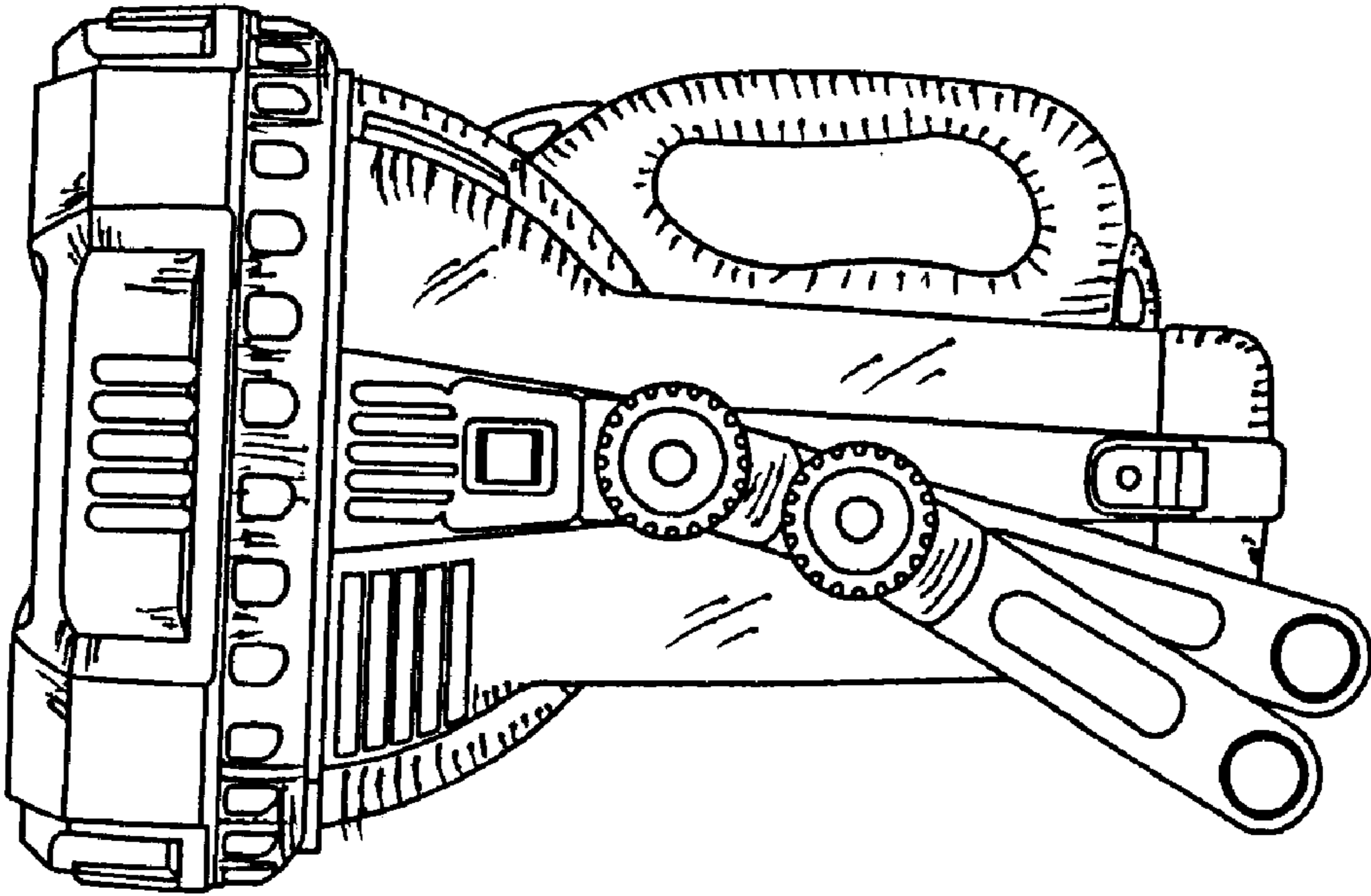


FIG. 1

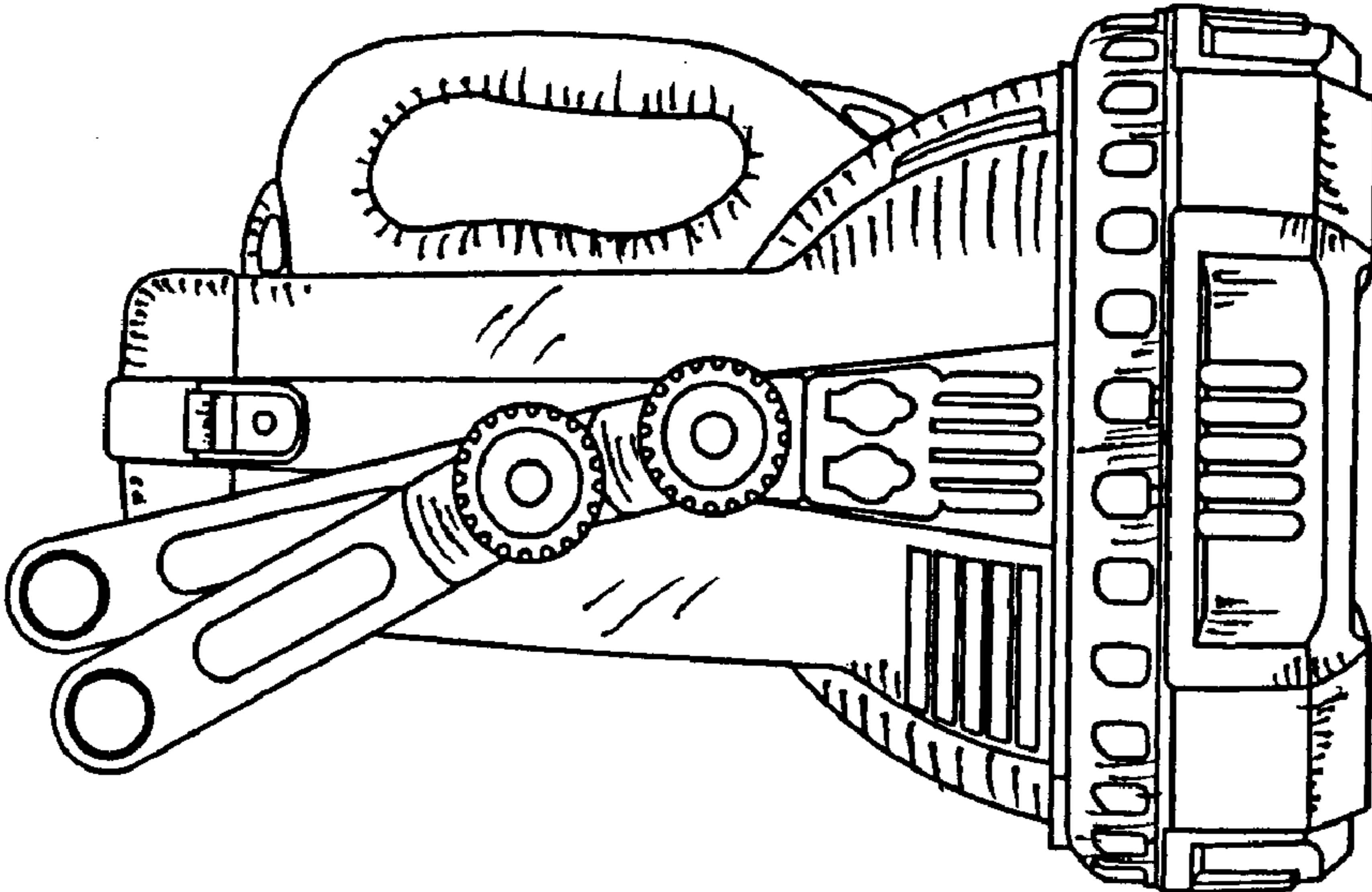


FIG. 2

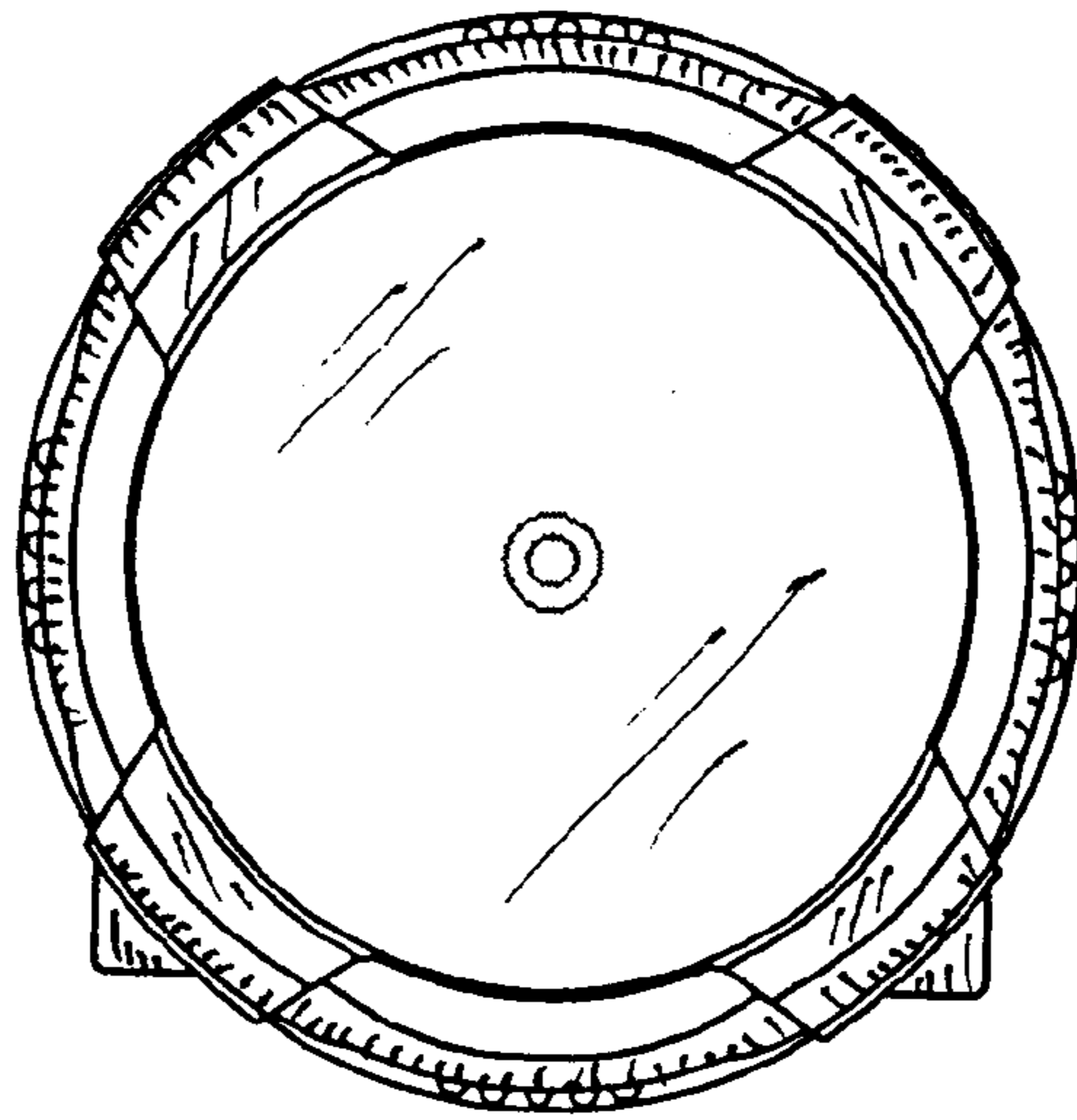


Fig. 3

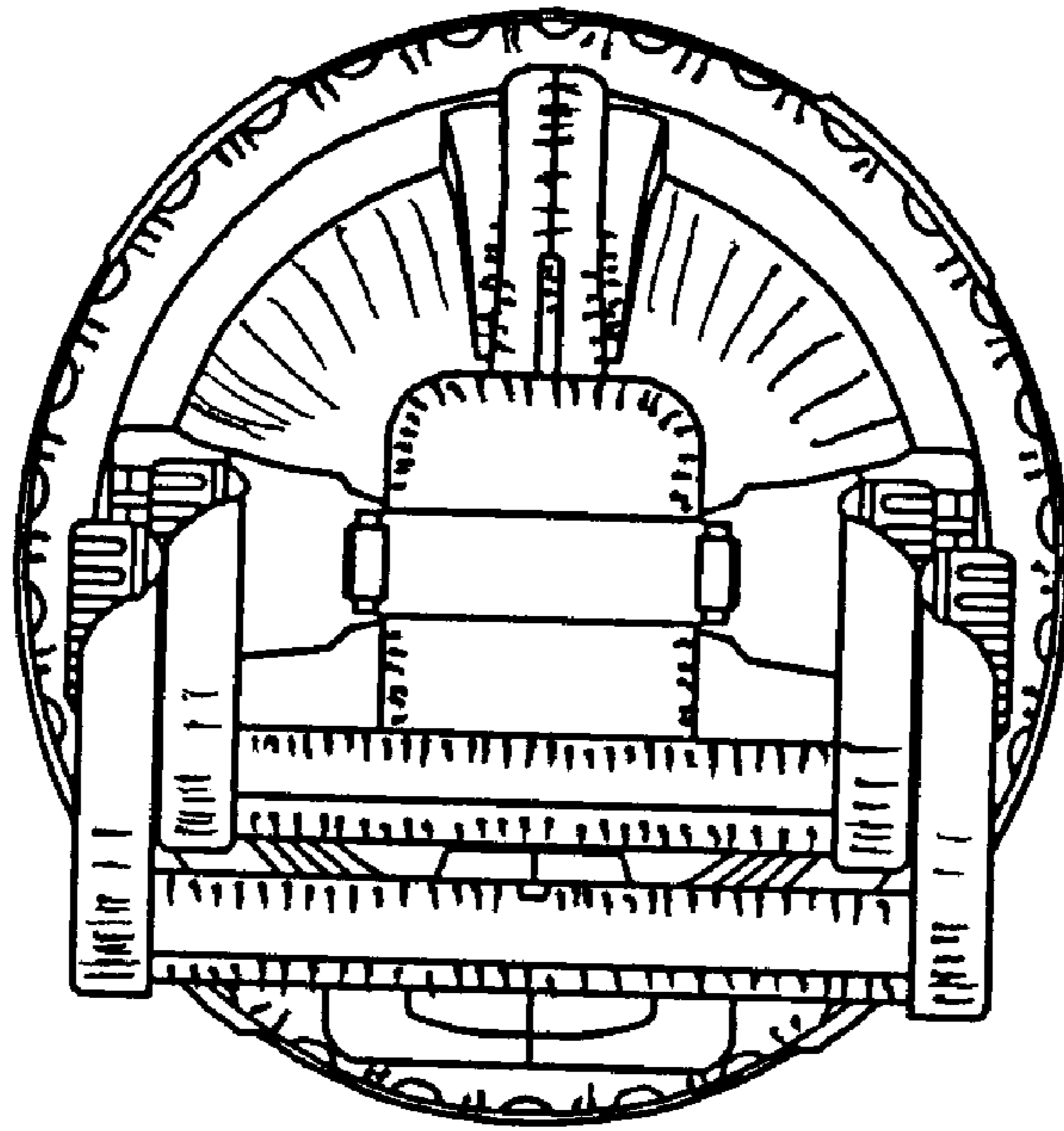


FIG. 4

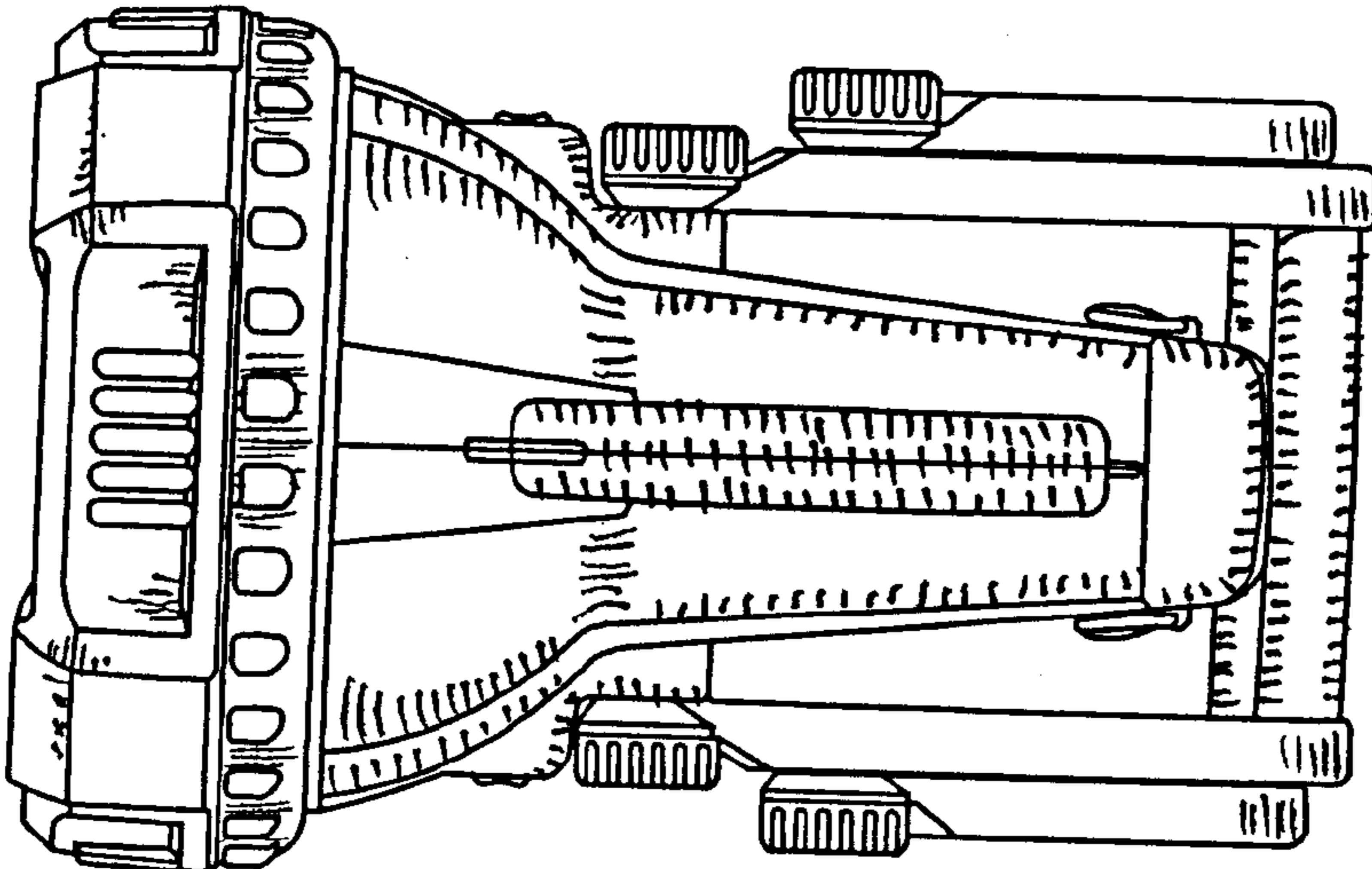


FIG. 5

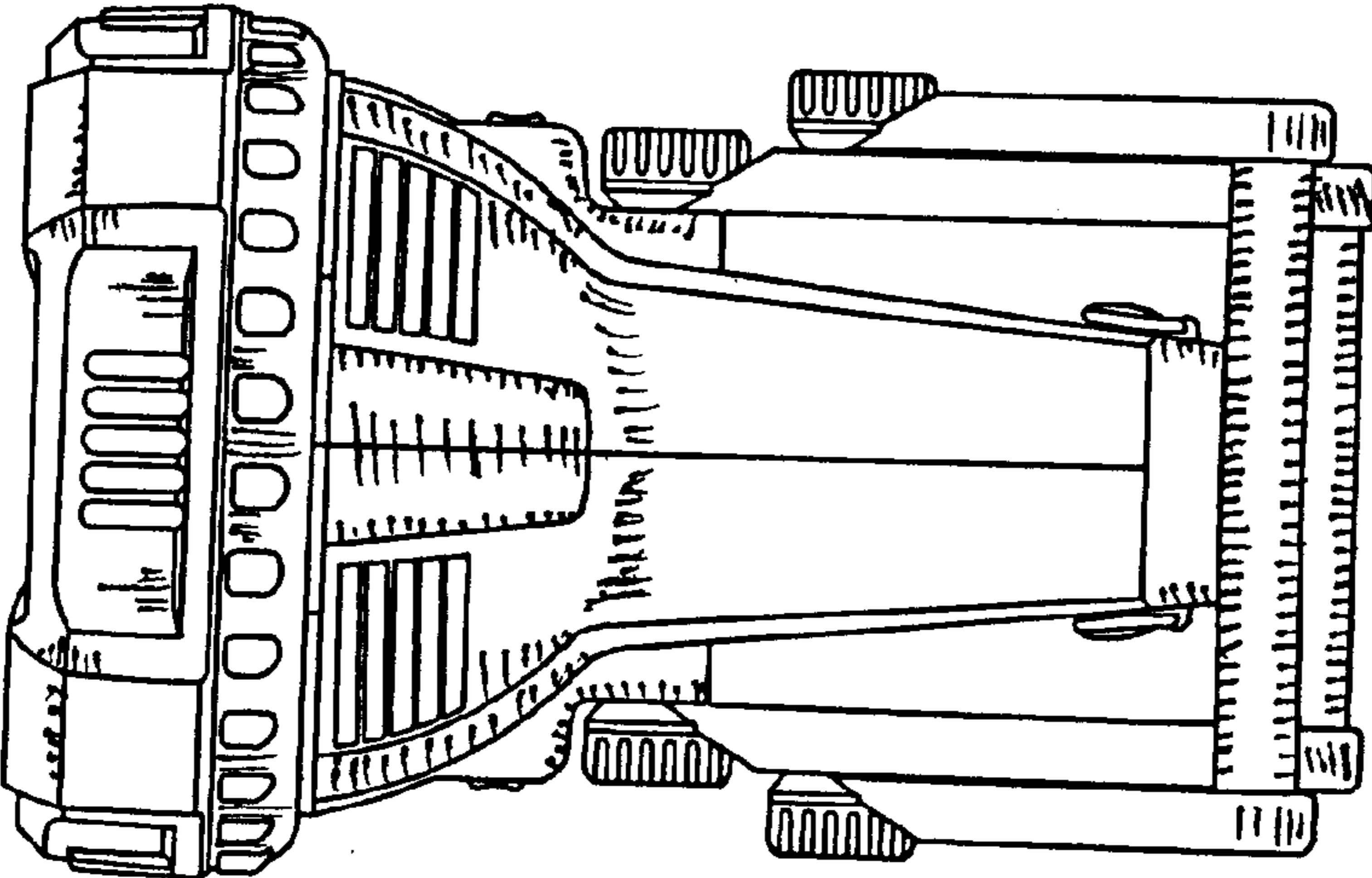


FIG. 6

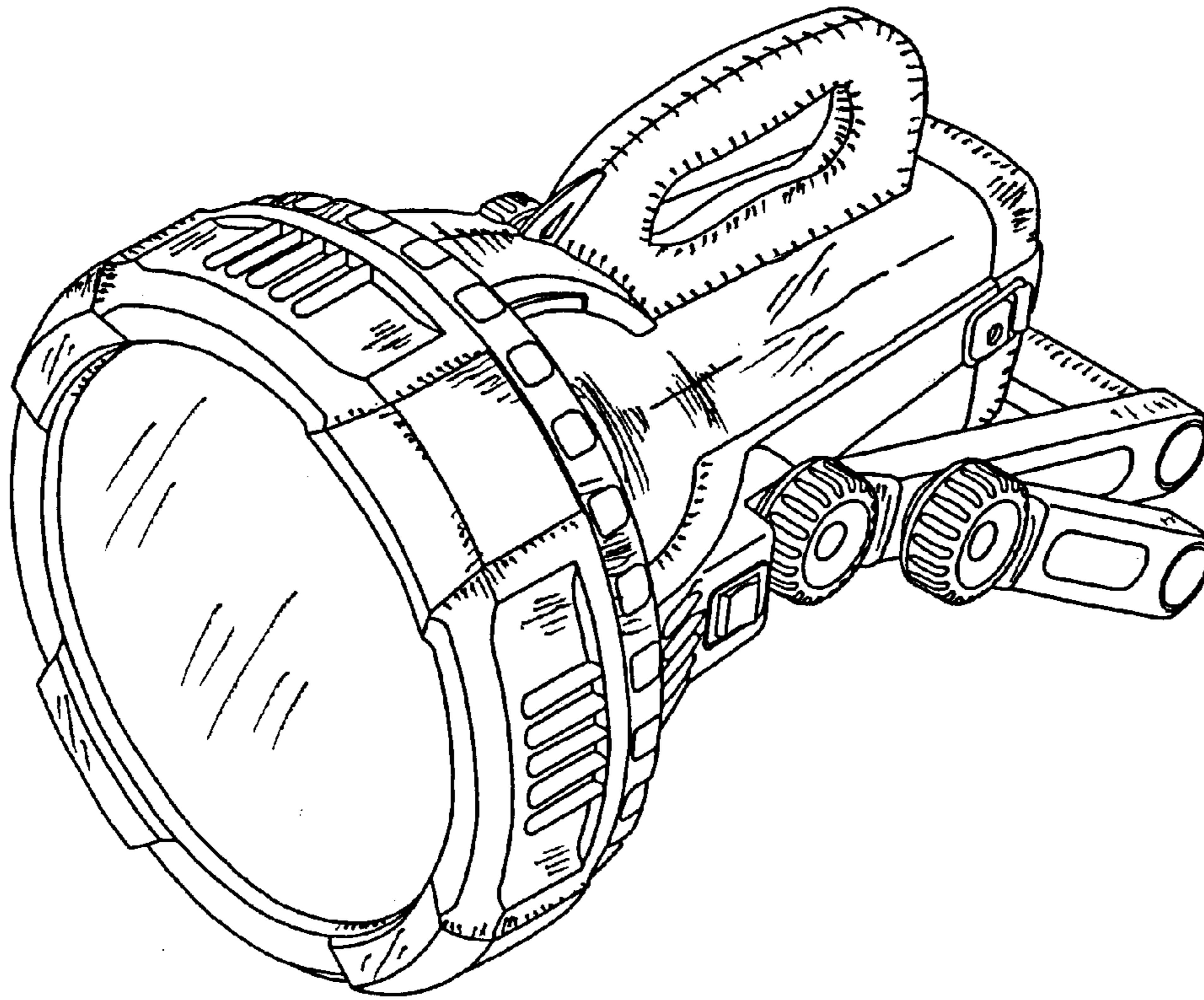


FIG. 7

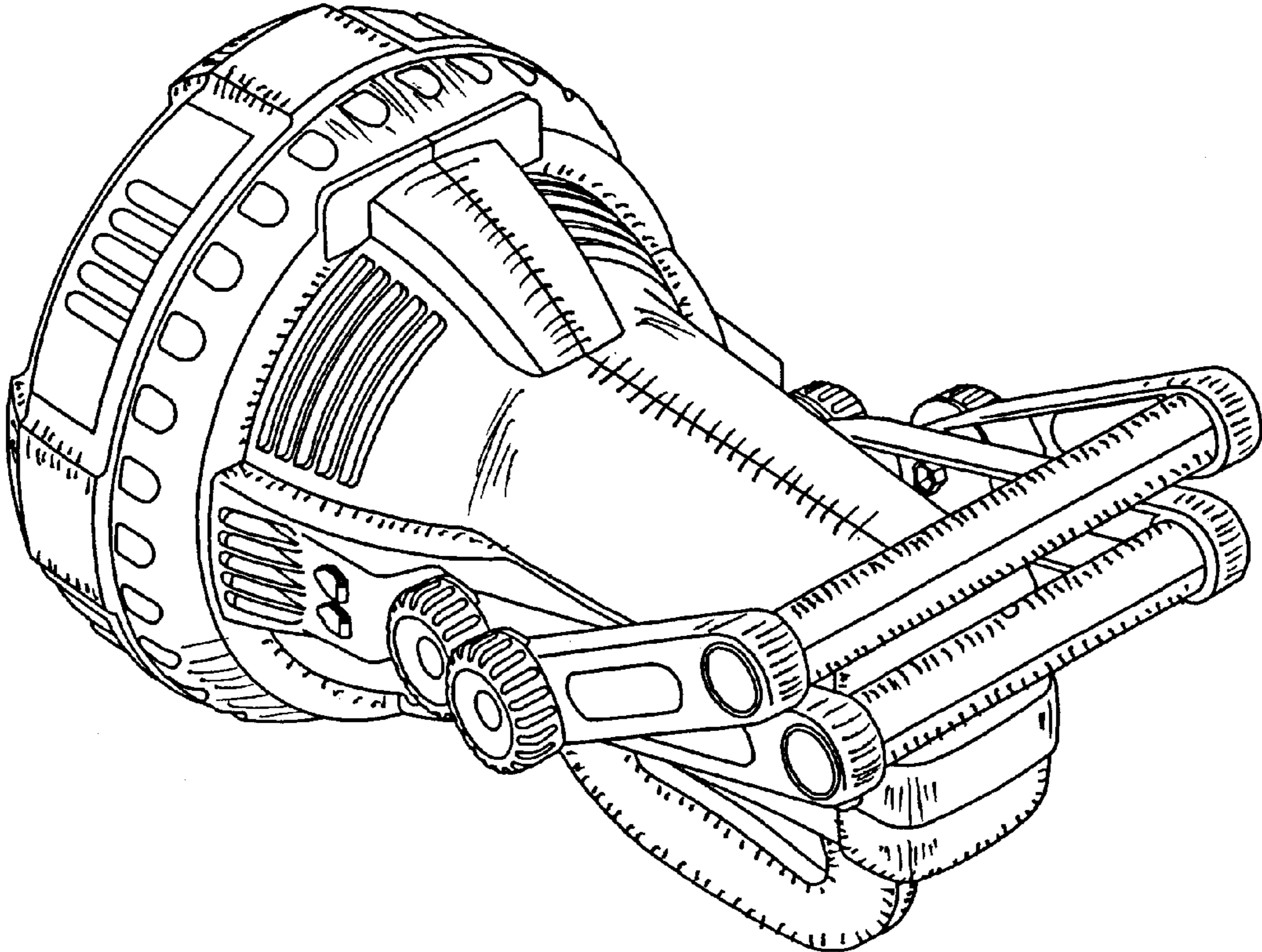


FIG. 8

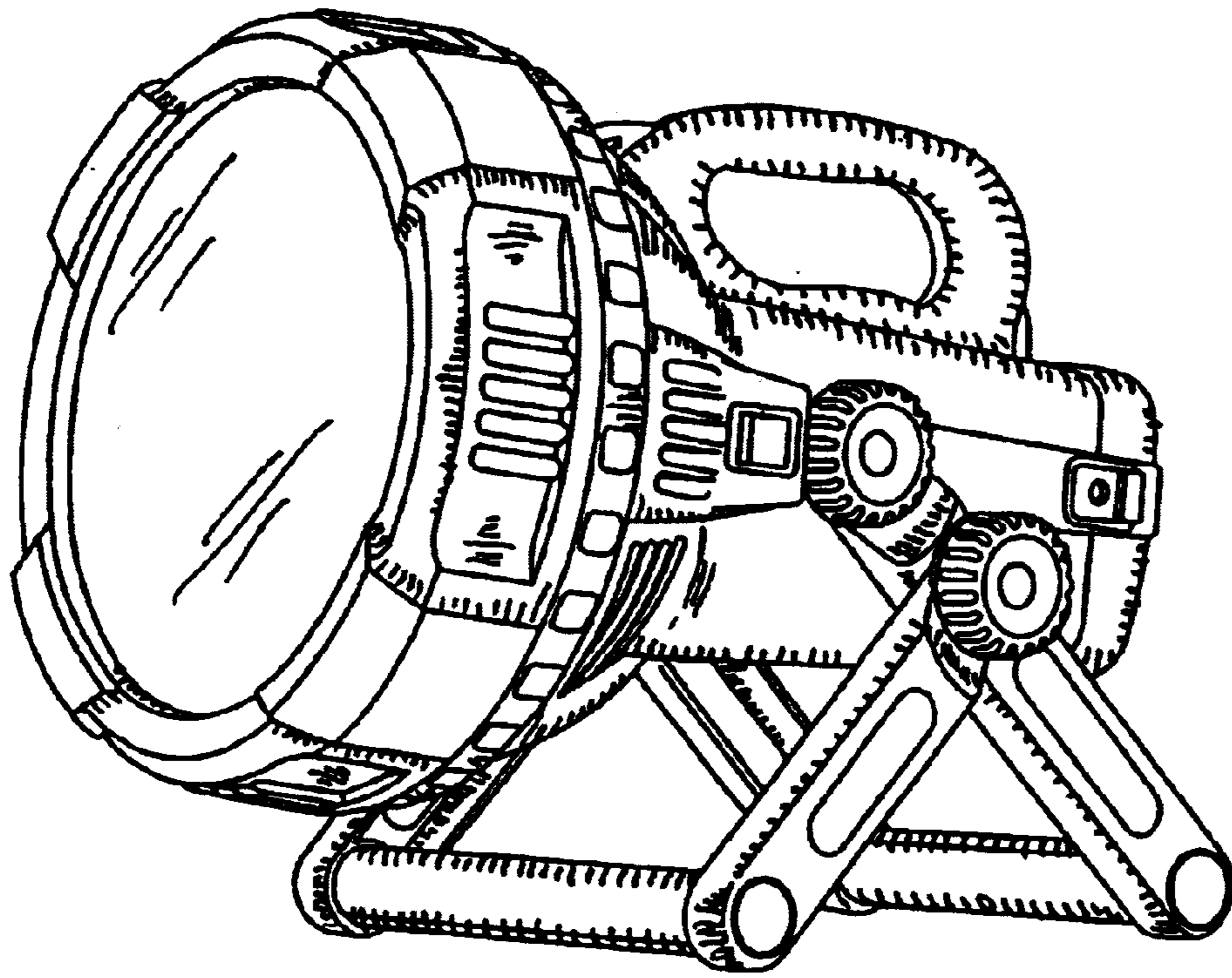


Fig. 9