



US00D527478S

(12) **United States Design Patent** (10) **Patent No.:** **US D527,478 S**  
**Kovacik et al.** (45) **Date of Patent:** **\*\* Aug. 29, 2006**

(54) **LED UTILITY LIGHT WITH MAGNET**

(75) Inventors: **James D. Kovacik**, Brecksville, OH (US); **Paul S. Blanch**, Broadview Heights, OH (US); **Joseph J. Smith**, Wooster, OH (US)

(73) Assignee: **Alert Safety Lite Products Co., Inc.**, Bedford Heights, OH (US)

(\*\*) Term: **14 Years**

(21) Appl. No.: **29/237,031**

(22) Filed: **Aug. 25, 2005**

(51) **LOC (8) Cl.** ..... **26-02**

(52) **U.S. Cl.** ..... **D26/42**

(58) **Field of Classification Search** ..... D26/37-50; 362/157, 158, 171-174, 183-208

See application file for complete search history.

(56) **References Cited**

**U.S. PATENT DOCUMENTS**

D135,092 S	2/1943	Biller	
4,262,327 A	4/1981	Kovacik et al.	
4,442,984 A	4/1984	Bayat	
4,774,647 A	9/1988	Kovacik et al.	
4,929,199 A	5/1990	McKinnon	
5,023,764 A	6/1991	McKinnon et al.	
D348,249 S	6/1994	Hester	
5,436,815 A	7/1995	Grooms et al.	
5,700,089 A	12/1997	McKinnon	
5,765,941 A	6/1998	Vest	
5,818,234 A	10/1998	McKinnon	
5,921,658 A	7/1999	Kovacik et al.	
5,975,719 A	11/1999	Reiff et al.	
D418,238 S	* 12/1999	Offiler	..... D26/42
D421,142 S	2/2000	Bayat	
D421,143 S	2/2000	Kovacik et al.	
D421,661 S	* 3/2000	Blye	..... D26/42
6,176,592 B1	1/2001	Kovacik et al.	
D443,371 S	* 6/2001	Yuen	..... D26/42
6,260,442 B1	7/2001	Bayat	

6,367,949 B1	4/2002	Pederson	
6,386,736 B1	5/2002	Reiff et al.	
6,534,926 B1	3/2003	Miller et al.	
D483,508 S	12/2003	Galvez	
D483,893 S	12/2003	Galvez	
D484,628 S	12/2003	Bayat et al.	
6,663,265 B1	12/2003	Kovacik et al.	
D486,599 S	2/2004	Bayat et al.	
6,722,774 B1	4/2004	Kovacik et al.	
D501,687 S	* 2/2005	Kovacik et al.	..... D26/42
D502,276 S	2/2005	Kovacik et al.	
2002/0191396 A1	12/2002	Reiff et al.	
2003/0123254 A1	7/2003	Brass et al.	
2003/0179572 A1	9/2003	Schnell	

**OTHER PUBLICATIONS**

Ferret Worklite AC, Jun. 4, 2002, www.ferretinstruments.com.

Bayco SL-2105, Bayco SL-2106, Apr. 1, 2003, www.budgetlighting.com.

\* cited by examiner

*Primary Examiner*—Marcus A. Jackson

(74) *Attorney, Agent, or Firm*—Butzel Long

(57) **CLAIM**

The ornamental design for a LED utility light with magnet, as shown and described.

**DESCRIPTION**

FIG. 1 is a front perspective view of a LED utility light with magnet of the present invention with a broken line showing an electrical cord for illustrative purposes only and forming no part of the claimed design;

FIG. 2 is a left side elevation view thereof;

FIG. 3 is a front elevation view thereof;

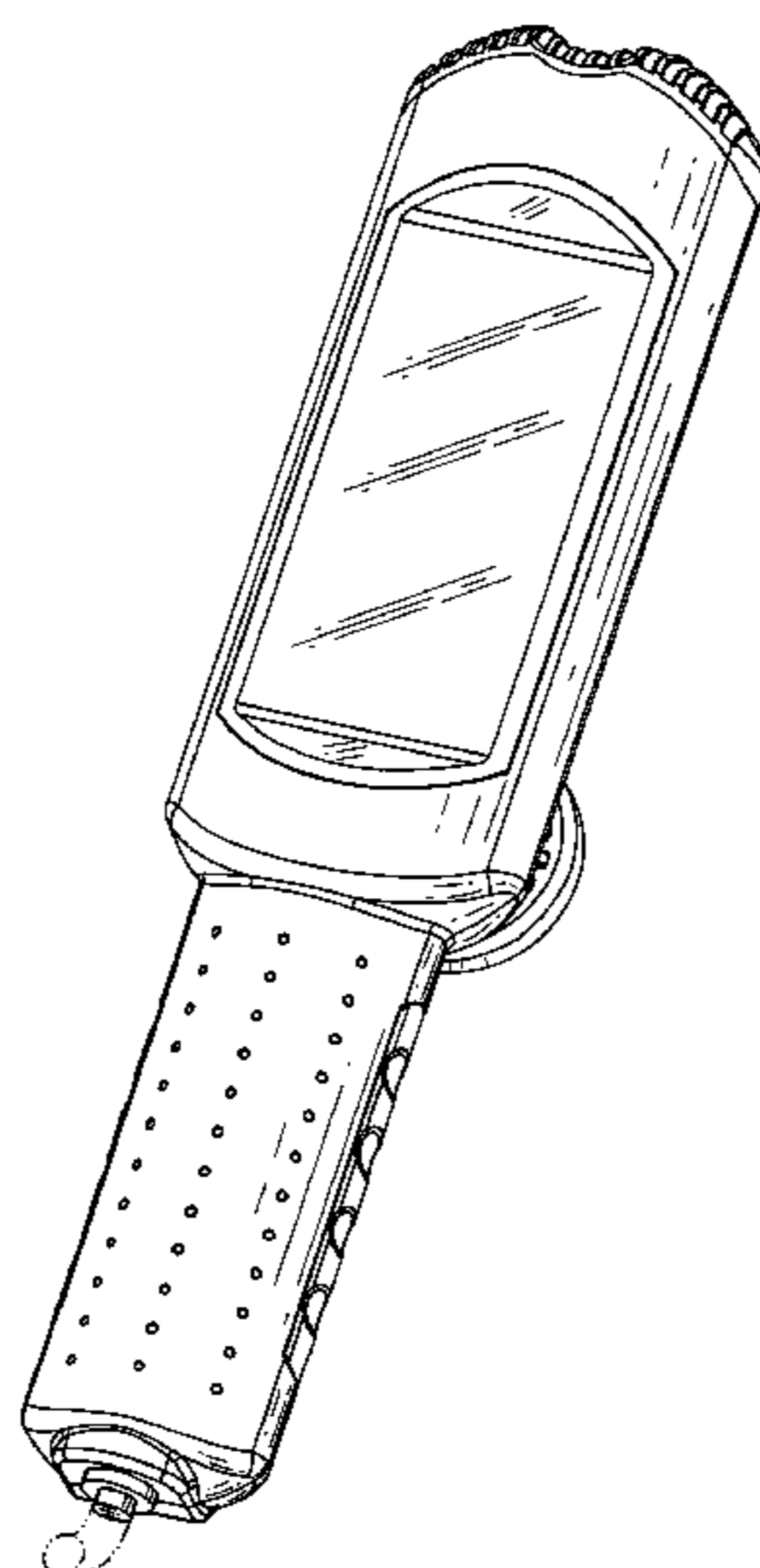
FIG. 4 is a right side elevation view thereof;

FIG. 5 is a rear elevation view thereof;

FIG. 6 is a top plan view thereof; and,

FIG. 7 is a bottom plan view thereof.

**1 Claim, 4 Drawing Sheets**



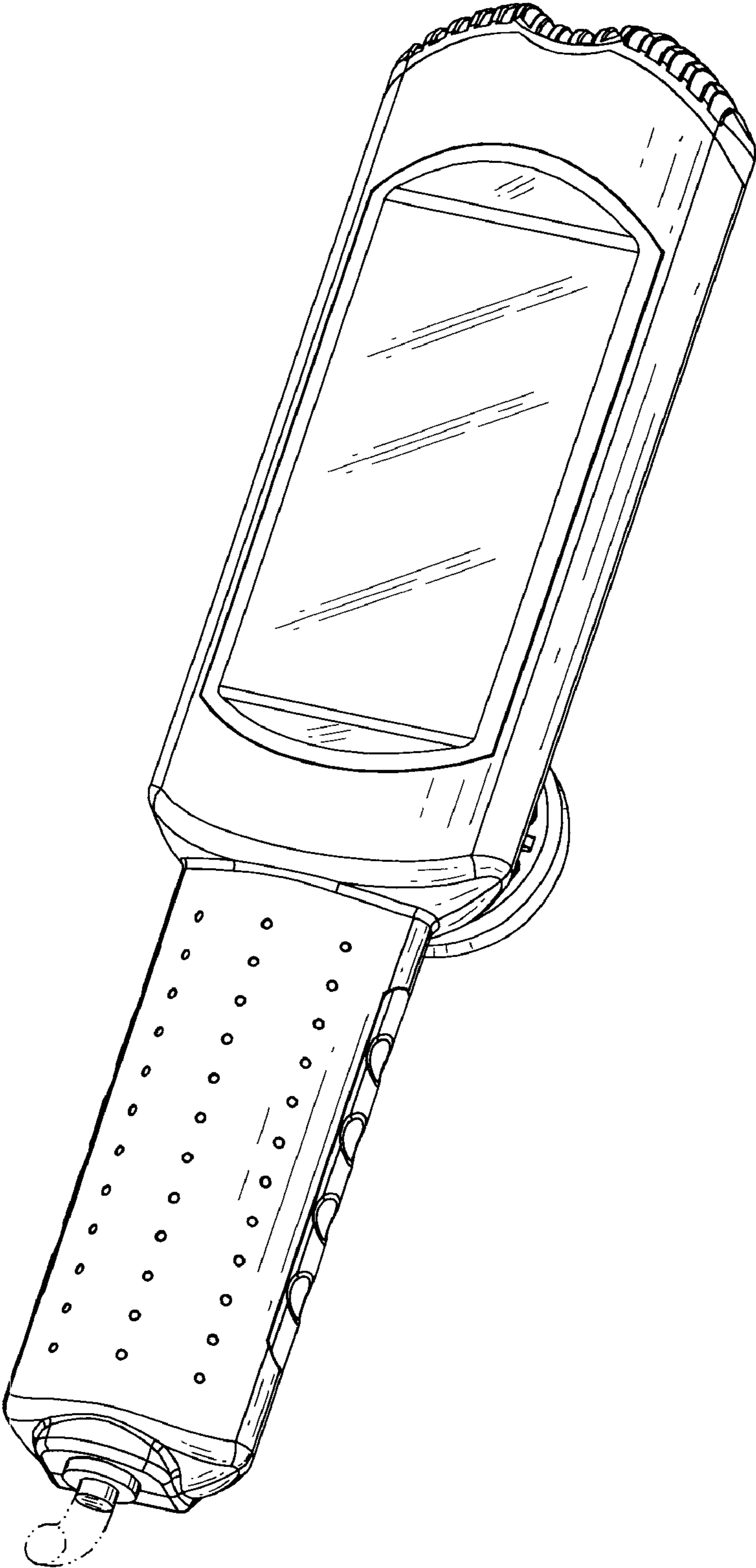


Fig. 1

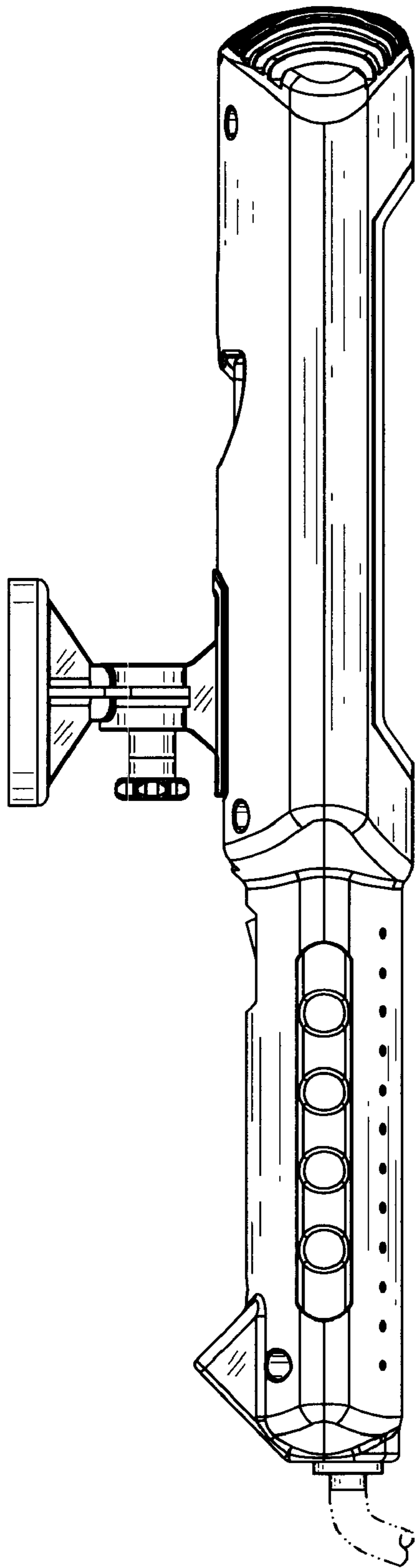


Fig. 2

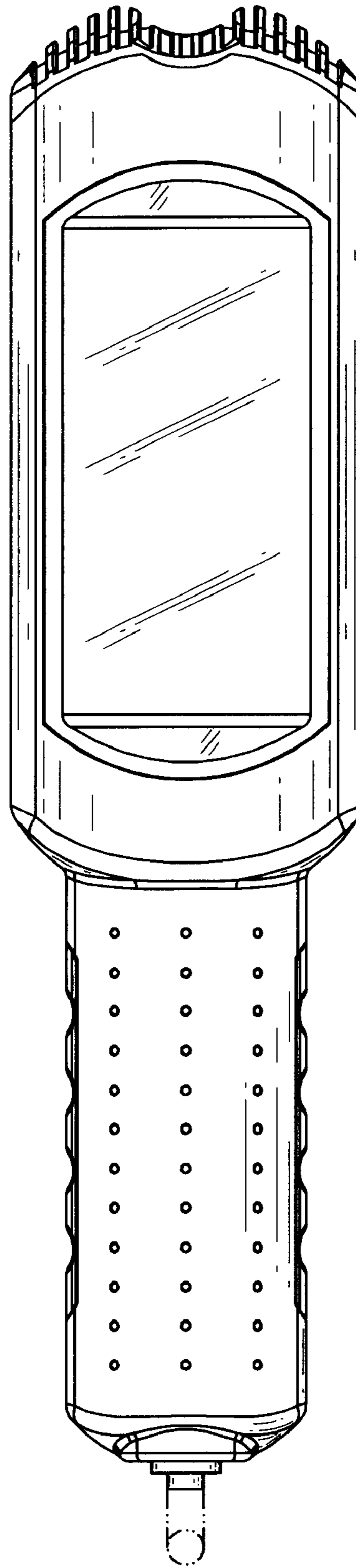


Fig. 3

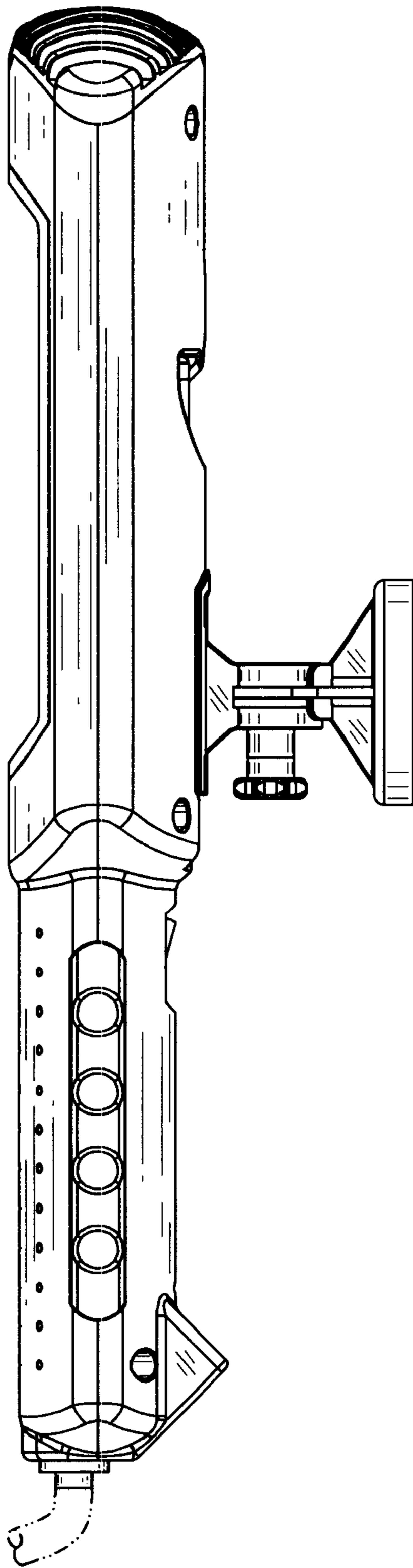


Fig. 4

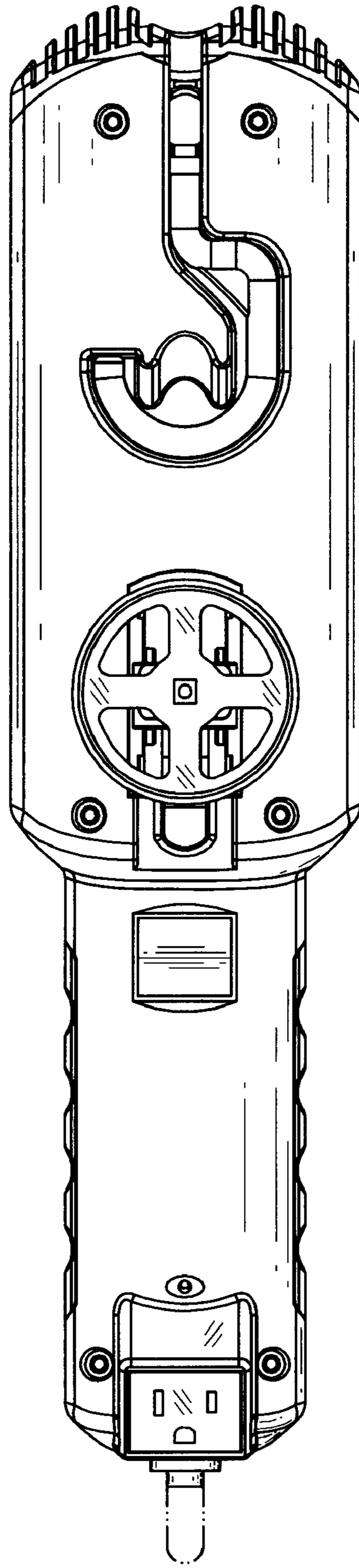
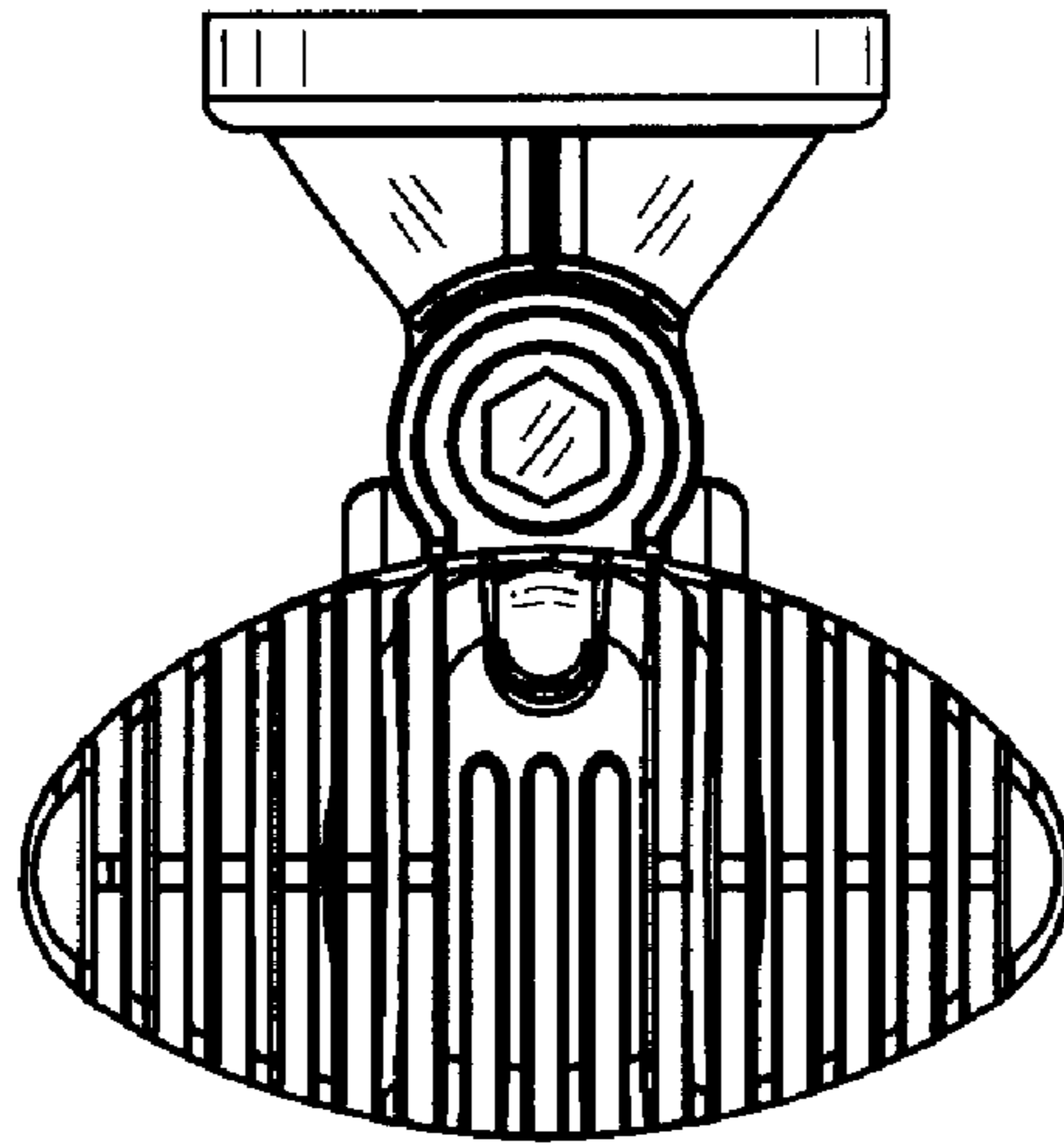
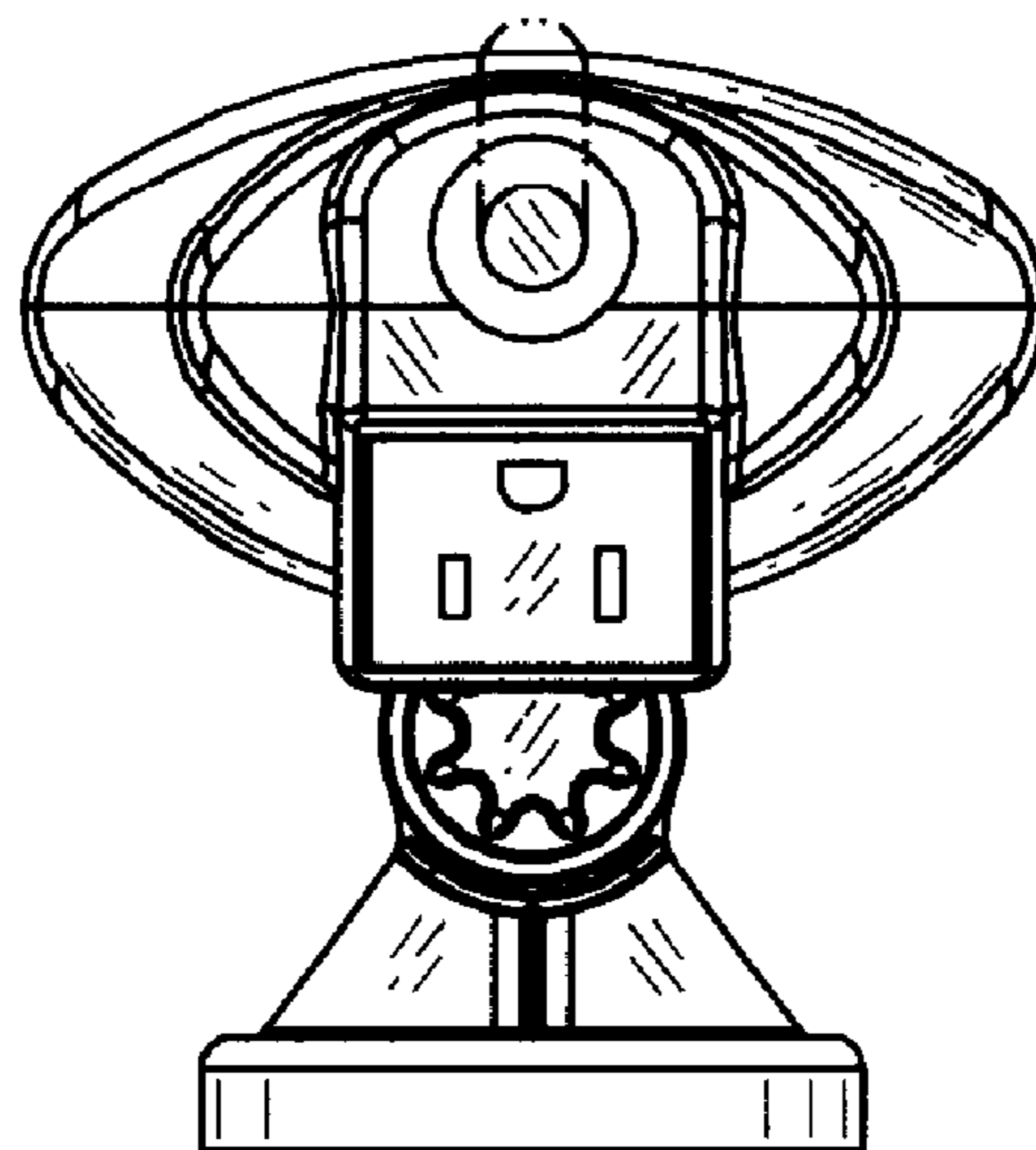


Fig. 5



*Fig. 6*



*Fig. 7*