



US00D527476S

(12) **United States Design Patent**  
**Craft**

(10) **Patent No.:** **US D527,476 S**

(45) **Date of Patent:** **\*\* Aug. 29, 2006**

(54) **FLASHLIGHT END**

**DESCRIPTION**

(75) Inventor: **Charles W. Craft**, Lansdale, PA (US)

(73) Assignee: **Streamlight, Inc.**, Eagleville, PA (US)

(\*\*) Term: **14 Years**

(21) Appl. No.: **29/211,659**

(22) Filed: **Aug. 19, 2004**

(51) **LOC (8) Cl.** ..... **26-02**

(52) **U.S. Cl.** ..... **D26/37**

(58) **Field of Classification Search** ..... D26/37-50;

362/157, 158, 171-174, 183-208

See application file for complete search history.

(56) **References Cited**

**U.S. PATENT DOCUMENTS**

D330,942 S	*	11/1992	Zeung	.....	D26/37
D351,672 S	*	10/1994	Tsay	.....	D26/37
D380,060 S	*	6/1997	Chiang	.....	D26/37
D403,450 S		12/1998	Ting		
D427,347 S		6/2000	Sharrah et al.		
D435,922 S		1/2001	Shing		
6,196,702 B1		3/2001	Krietzman		
D442,307 S		5/2001	Parker		
D429,830 S		8/2001	Ting		
D468,850 S		1/2003	Sharrah et al.		
D481,816 S		11/2003	Sharrah et al.		

**OTHER PUBLICATIONS**

Streamlight, Inc, "www.streamlight.com," web pages for: Stinger Series, SL-Series, Scorpion & Streamlight Jr. (8 Pages) 2003.

Union Carbide Corp., "Eveready Lighting Products," 1983, 18 Pages.

\* cited by examiner

*Primary Examiner*—Marcus A. Jackson

(74) *Attorney, Agent, or Firm*—Dann, Dorfman, Herrell & Skillman, P.C.

(57) **CLAIM**

The ornamental design for a flashlight end, as shown and described.

FIG. 1 is an isometric view of an example embodiment of an ornamental design for a flashlight end, an example flashlight body being shown in broken lines;

FIG. 2 is a side view of the example embodiment of an ornamental design for a flashlight end shown in FIG. 1;

FIG. 3 is a second side view of the example embodiment of an ornamental design for a flashlight end shown in FIGS. 1 and 2;

FIG. 4 is a third side view of the example embodiment of an ornamental design for a flashlight end shown in FIGS. 1, 2 and 3;

FIG. 5 is an end view of a first end of the example embodiment of an ornamental design for a flashlight end shown in FIGS. 1, 2, 3, 4 and 5; and

FIG. 6 is an end view of a second end of the example embodiment of an ornamental design for a flashlight end shown in FIGS. 1, 2, 3, 4, 5 and 6.

FIG. 7 is an isometric view of an example embodiment of an ornamental design for a flashlight end, an example flashlight body being shown in broken lines;

FIG. 8 is a side view of an example embodiment of an ornamental design for a flashlight end according to the present invention shown in FIG. 7;

FIG. 9 is a second side view of the example embodiment of an ornamental design for a flashlight end shown in FIGS. 7 and 8;

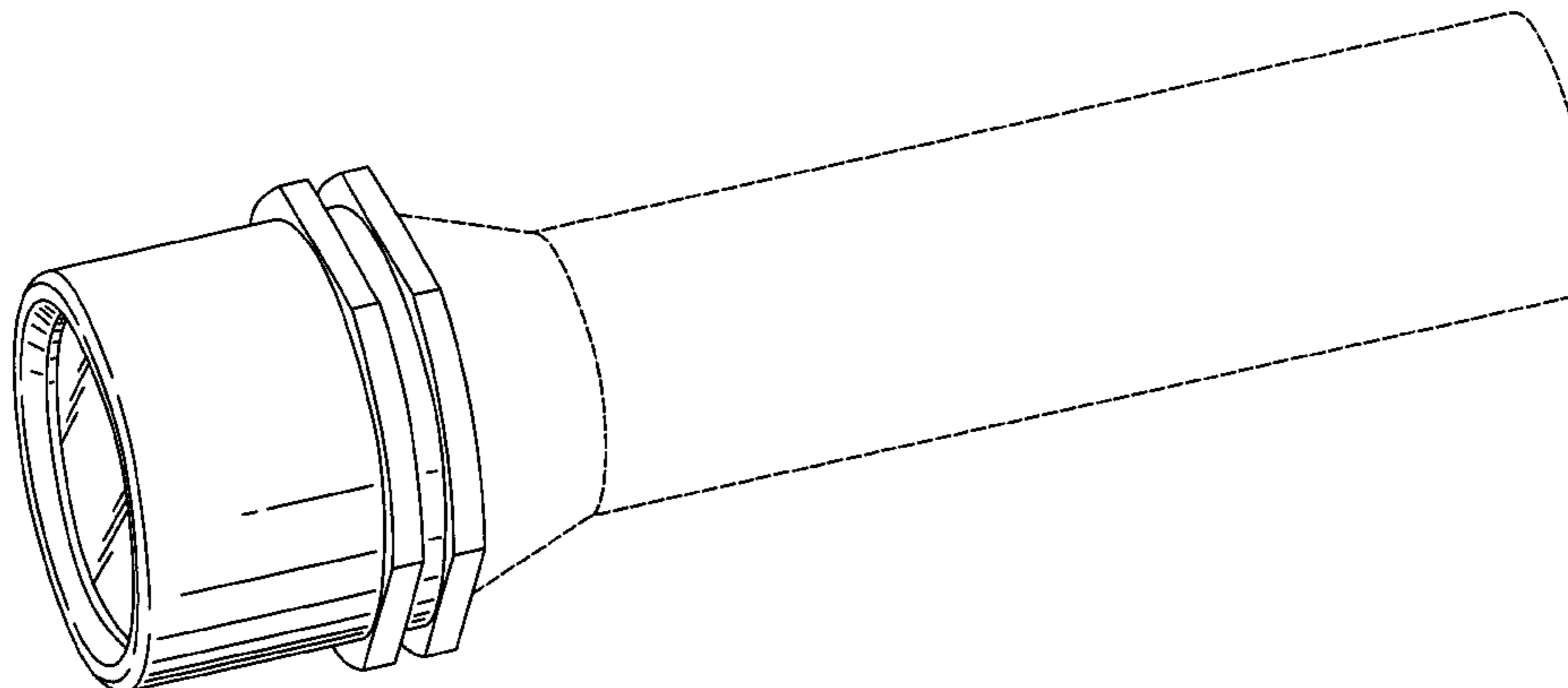
FIG. 10 is a third side view of the example embodiment of an ornamental design for a flashlight end shown in FIGS. 7, 8 and 9;

FIG. 11 is an end view of a first end of the example embodiment of an ornamental design for a flashlight end shown in FIGS. 7, 8, 9 and 10; and,

FIG. 12 is an end view of a second end of the example embodiment of an ornamental design for a flashlight end shown in FIGS. 7, 8, 9, 10 and 11.

Broken lines in the illustrations of the Figures of the drawing indicate parts of the article that are not part of the design illustrated therein.

**1 Claim, 6 Drawing Sheets**



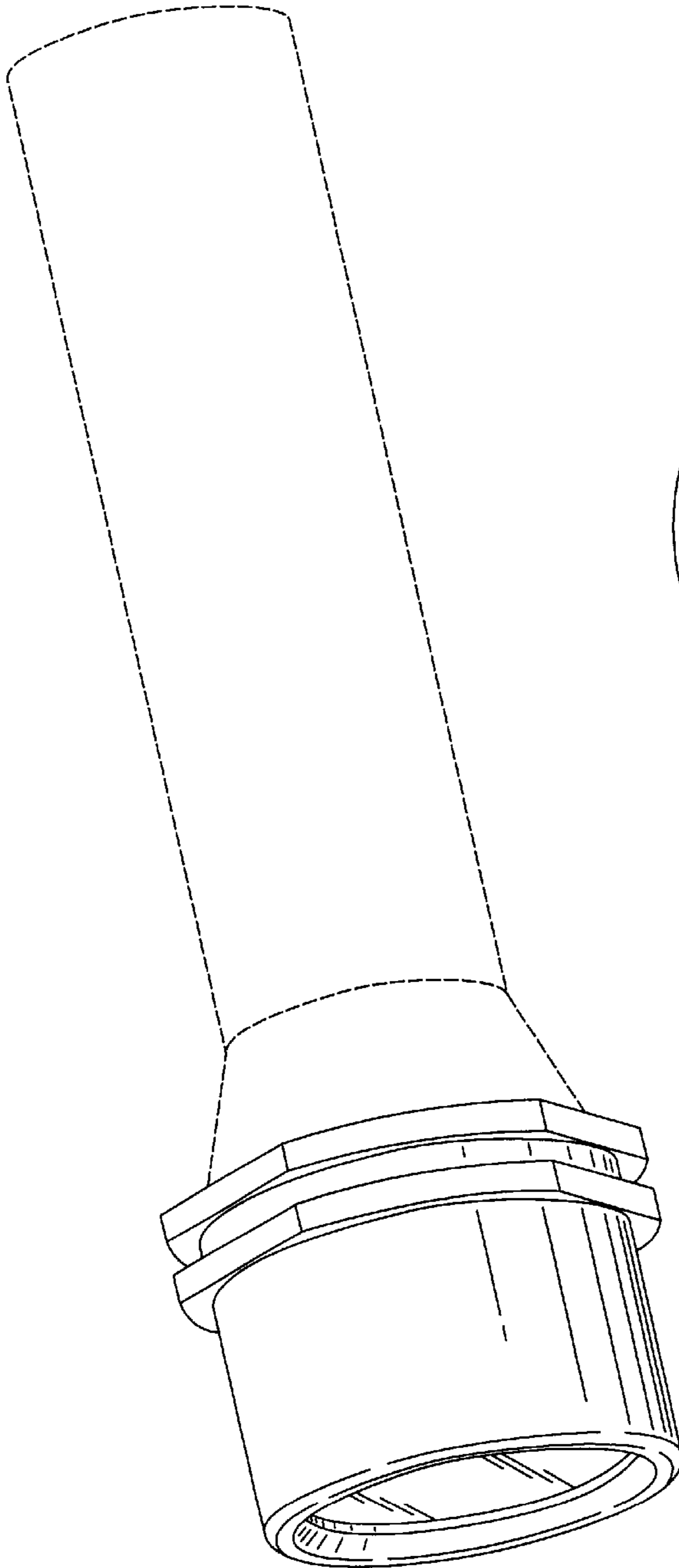


Fig. 1

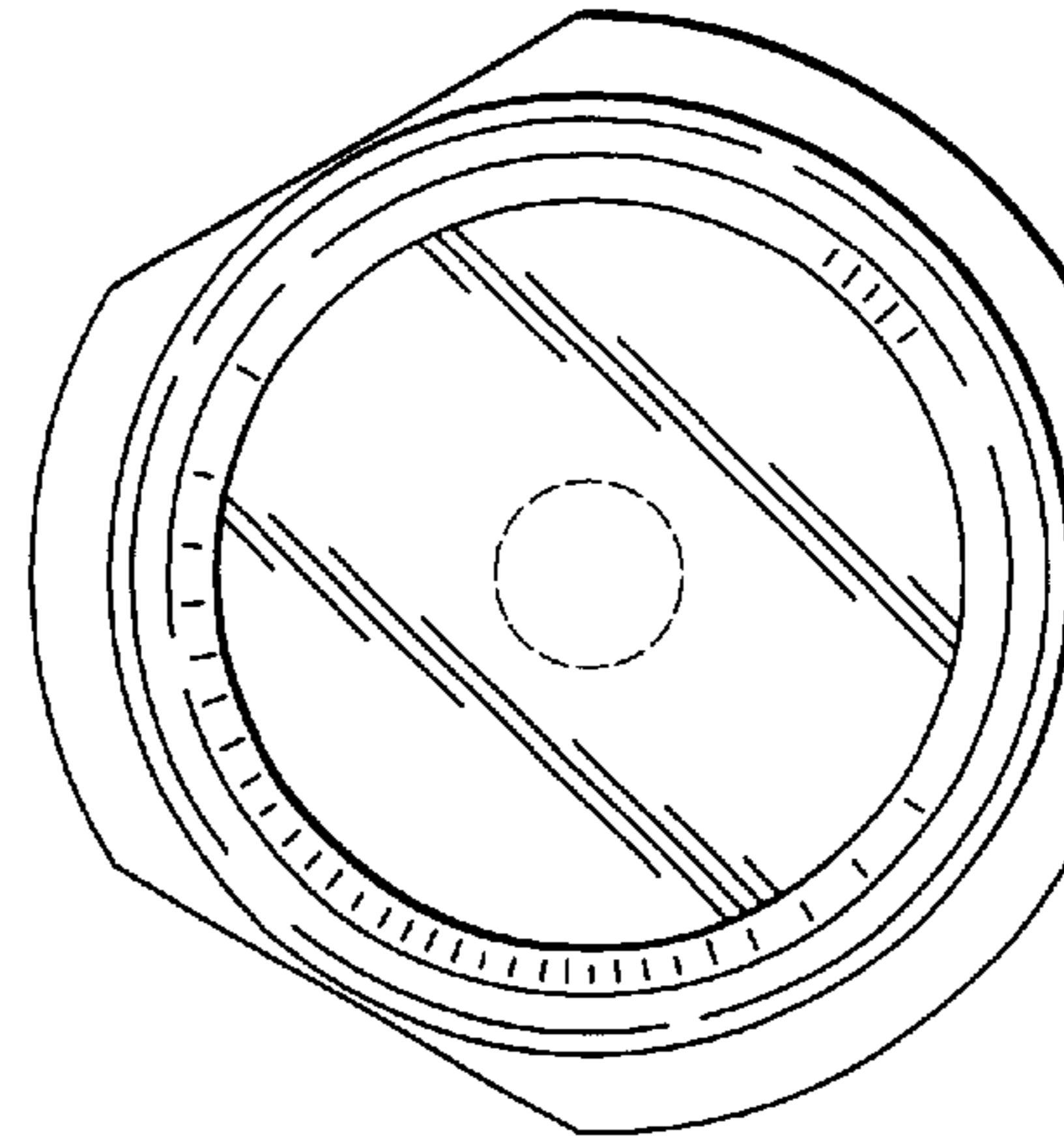


Fig. 5

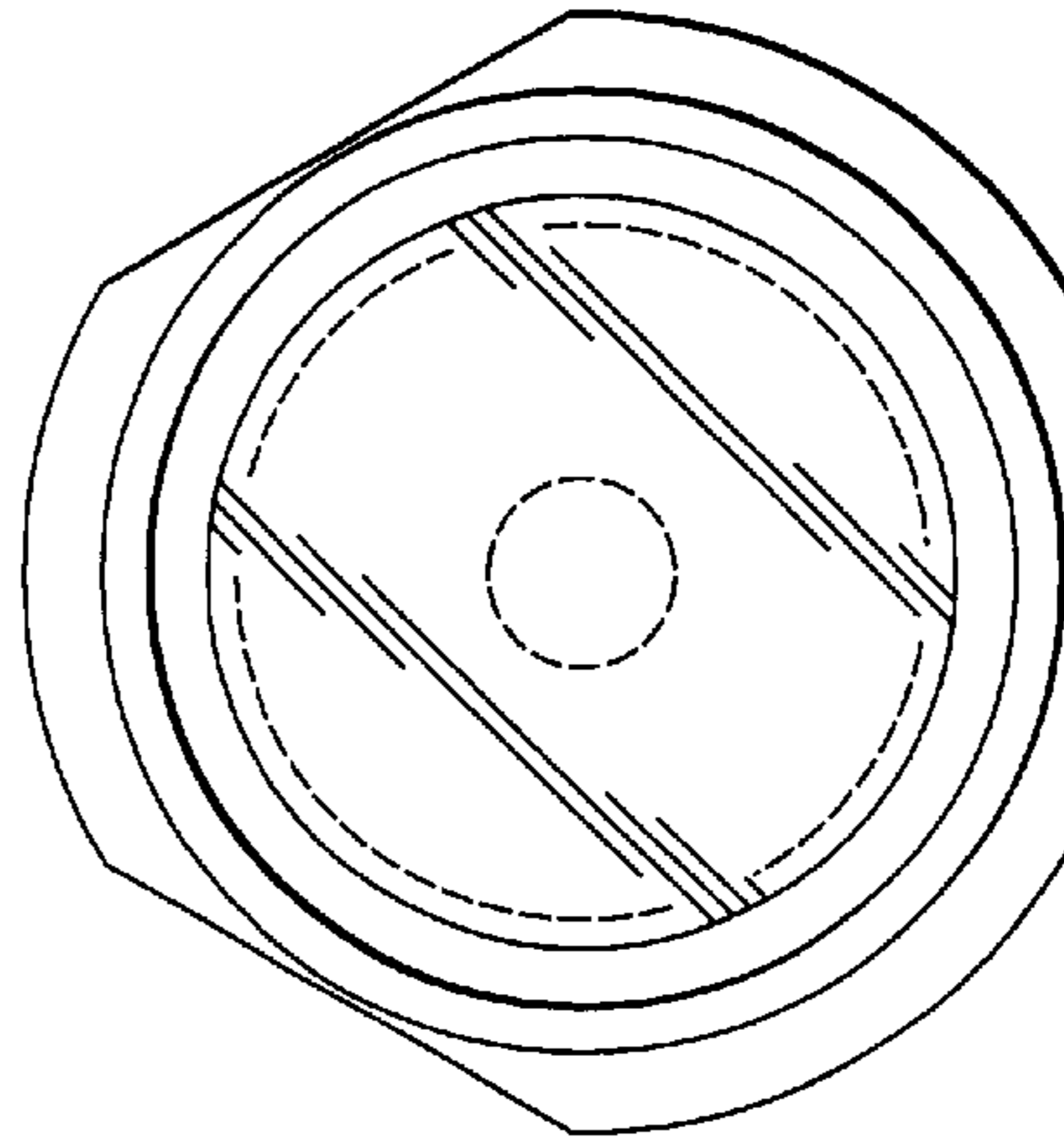


Fig. 6

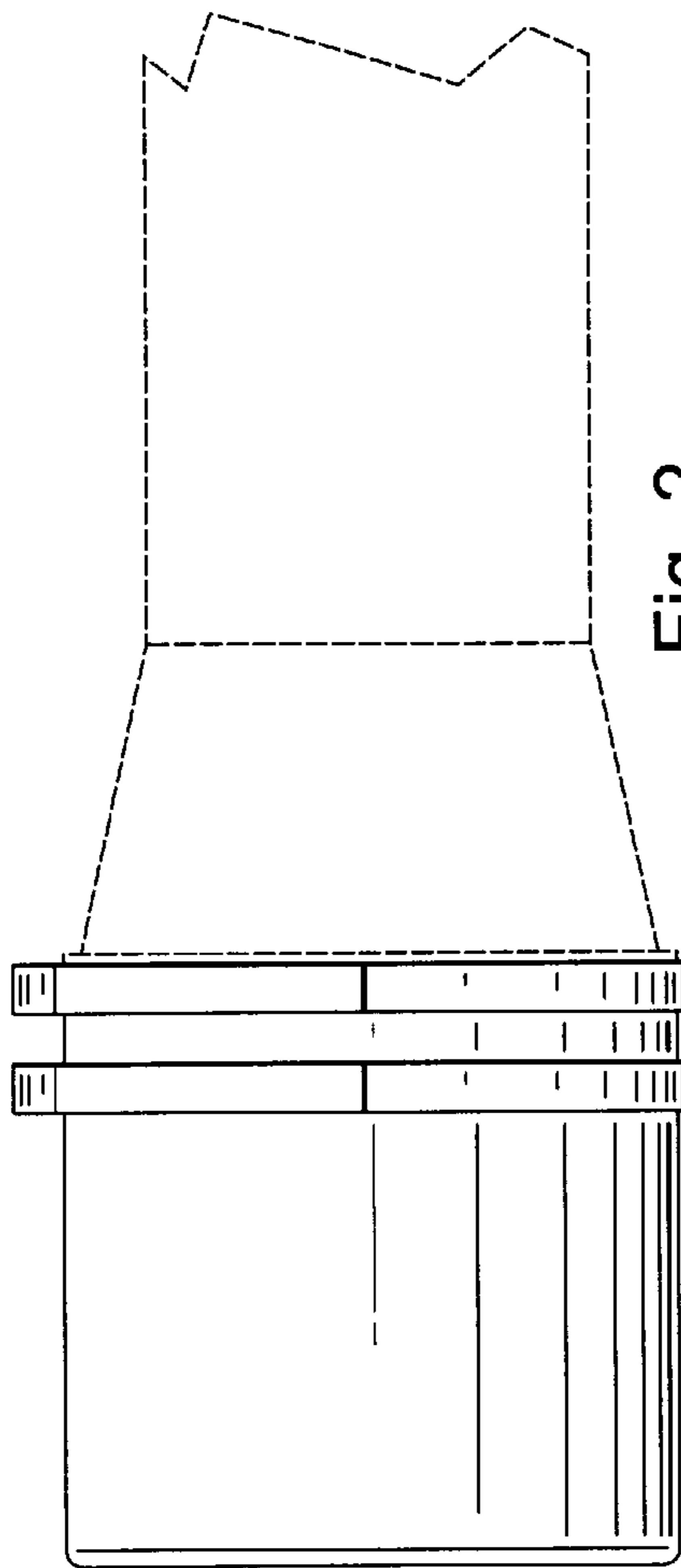


Fig. 2

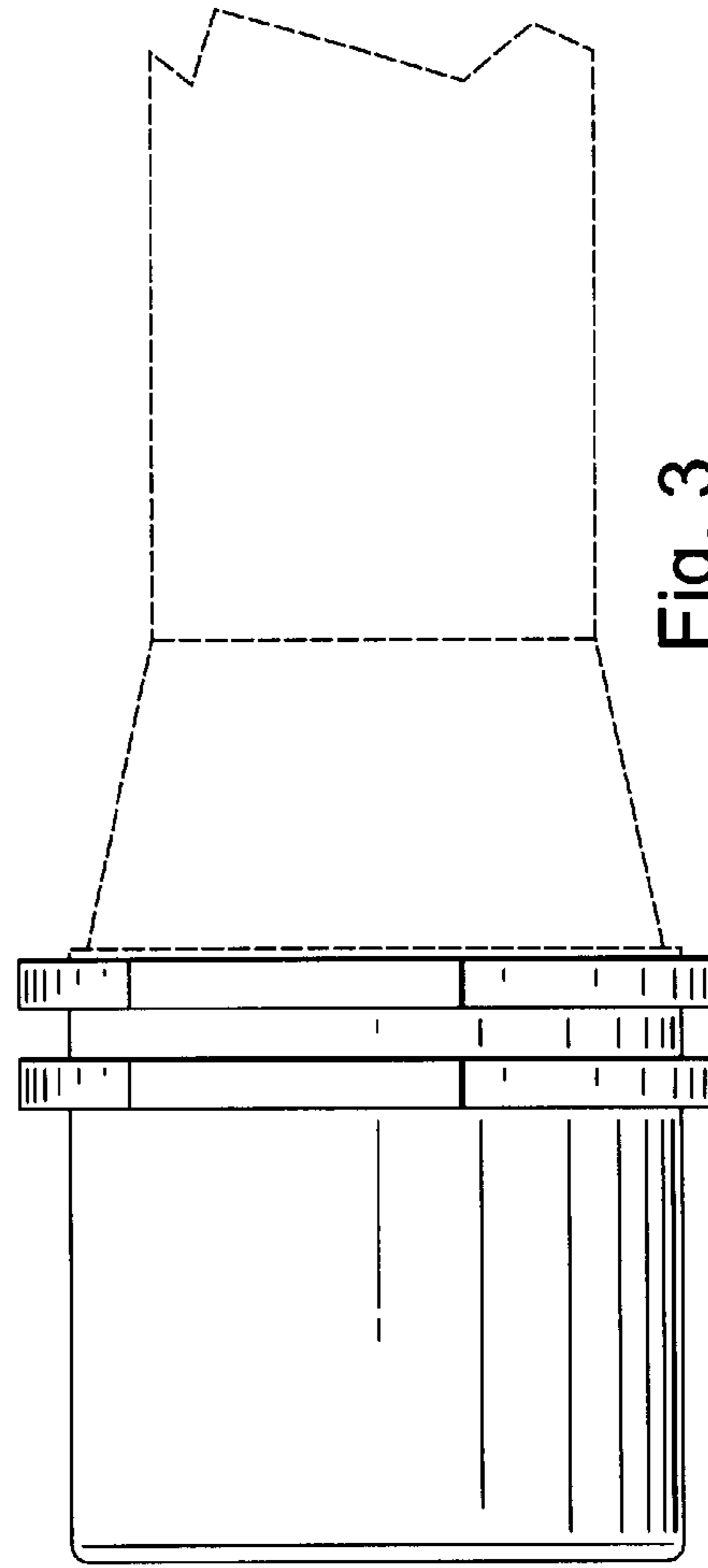


Fig. 3

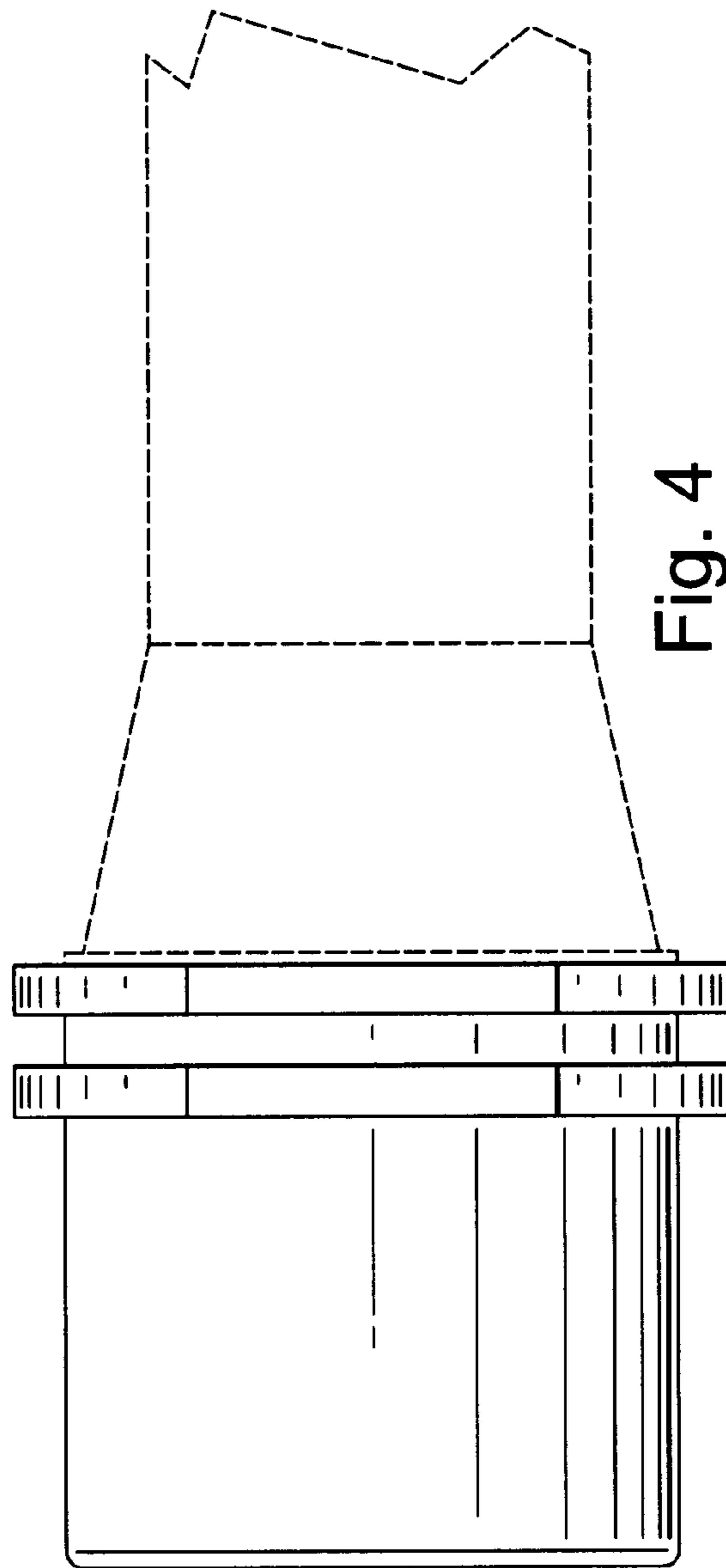


Fig. 4

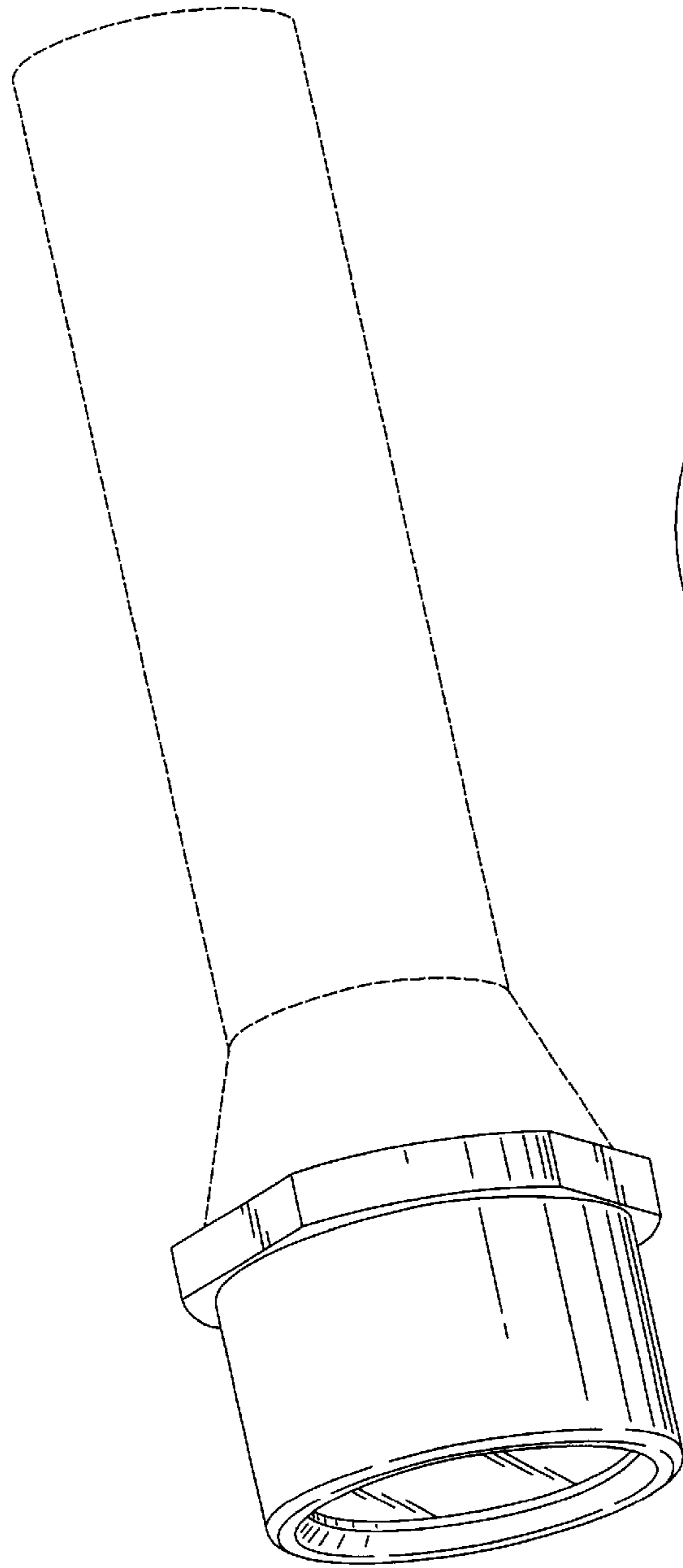


Fig. 7

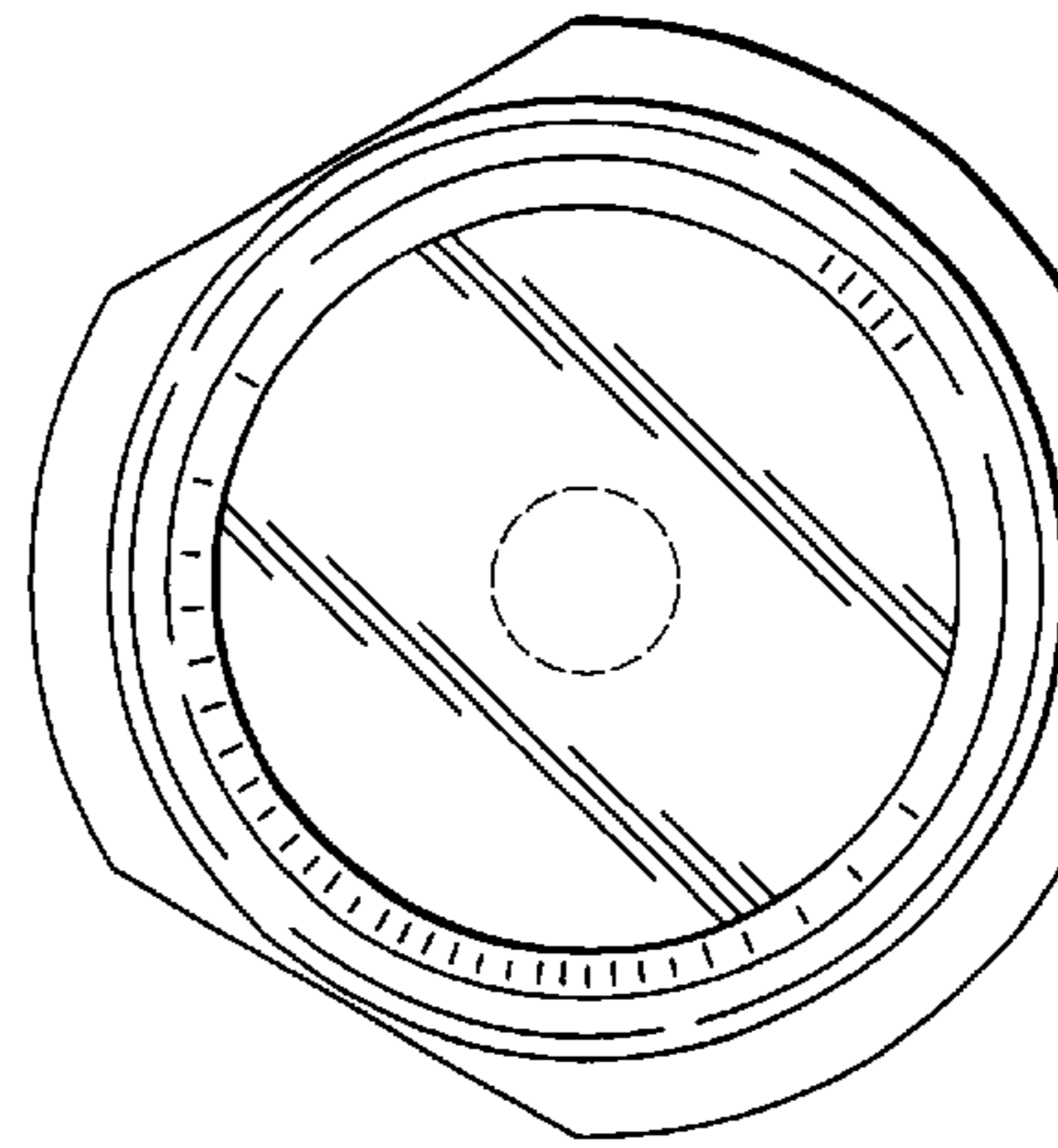


Fig. 11

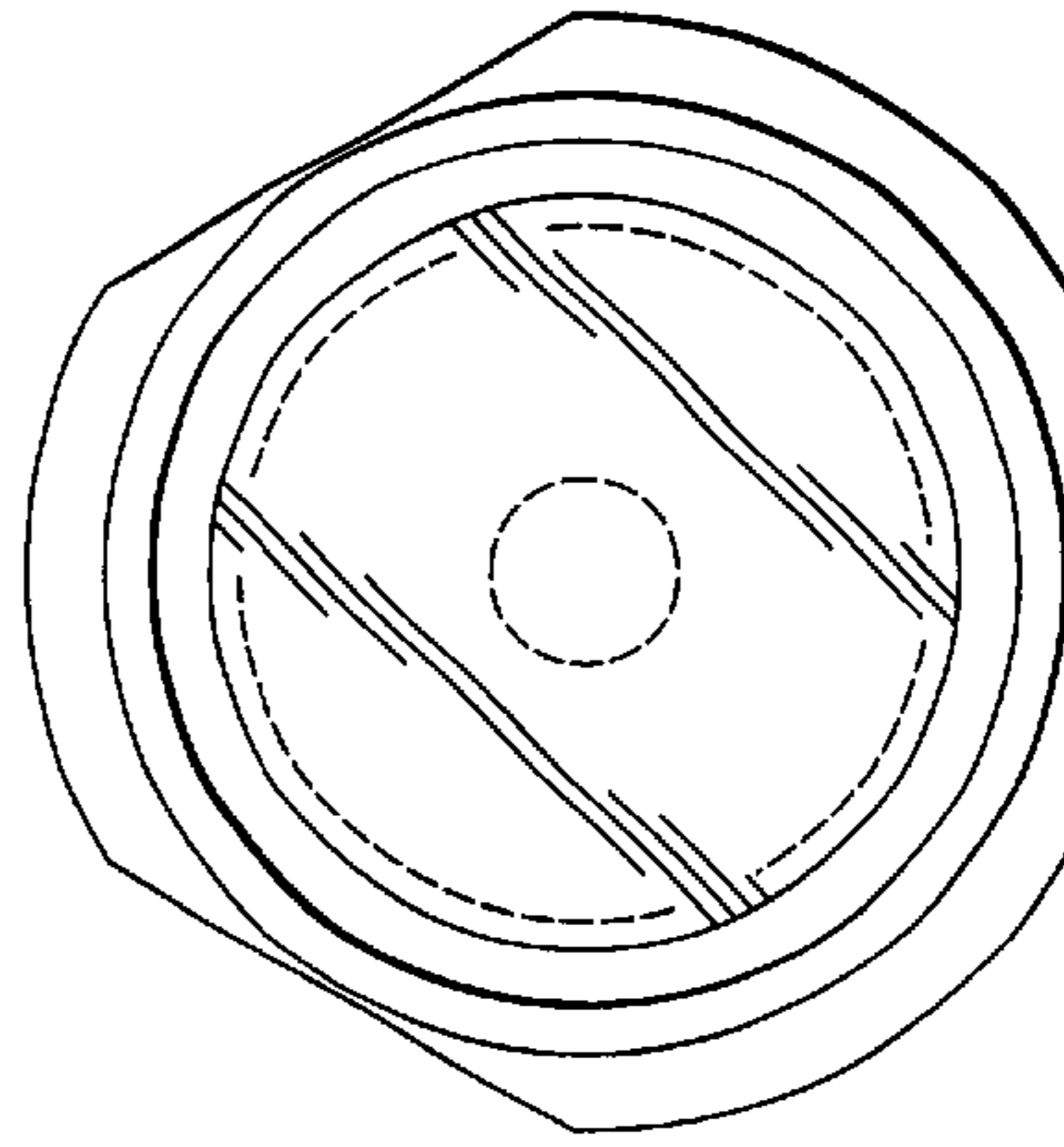


Fig. 12

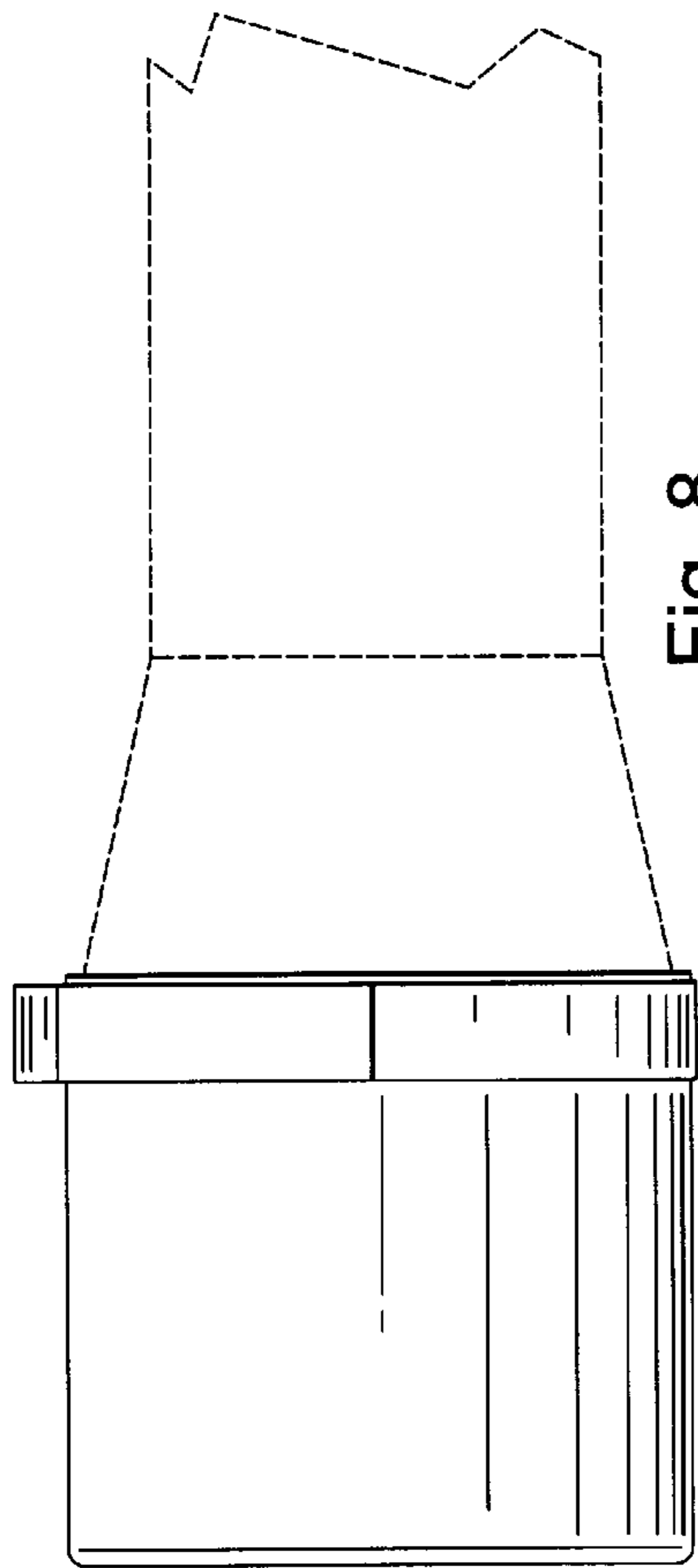


Fig. 8

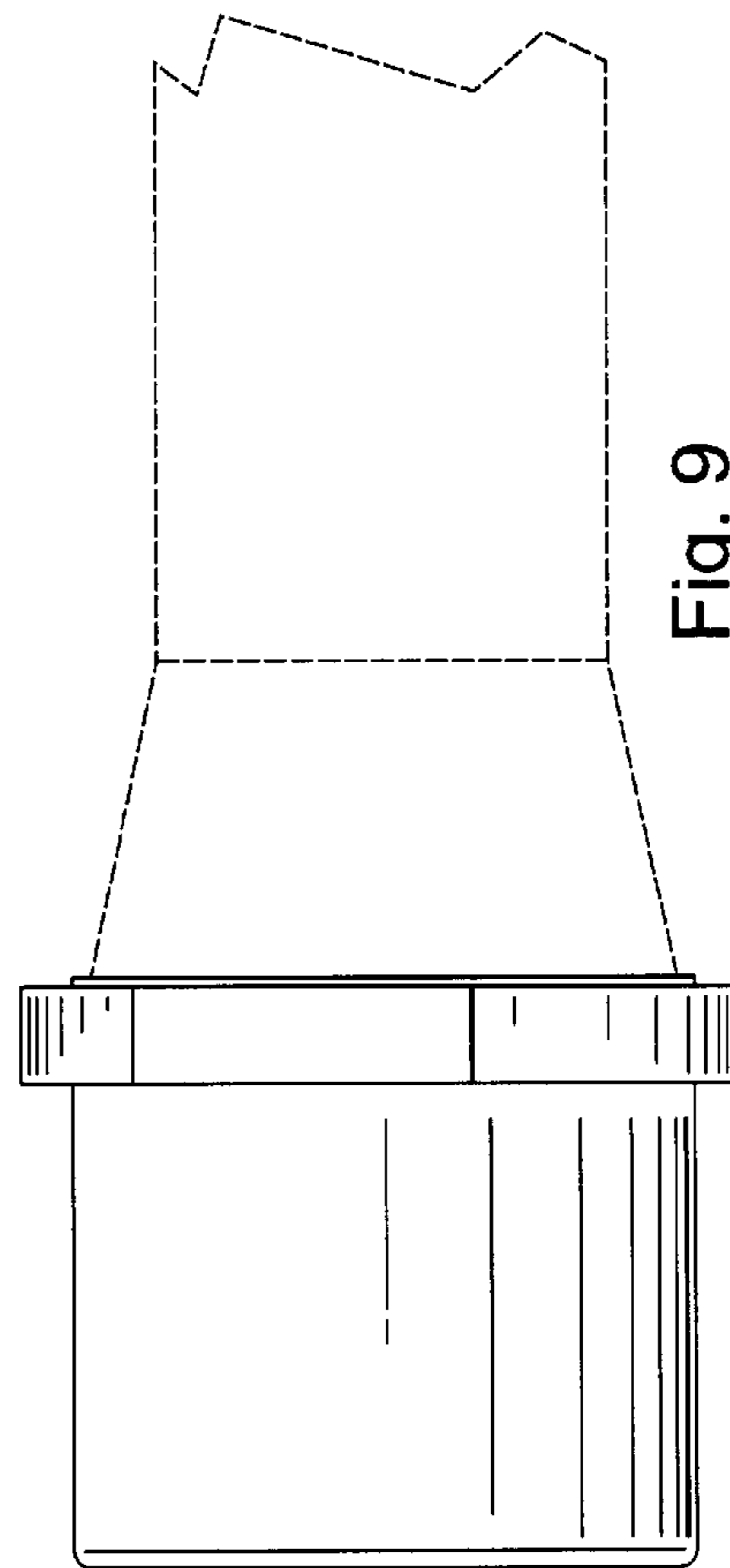


Fig. 9

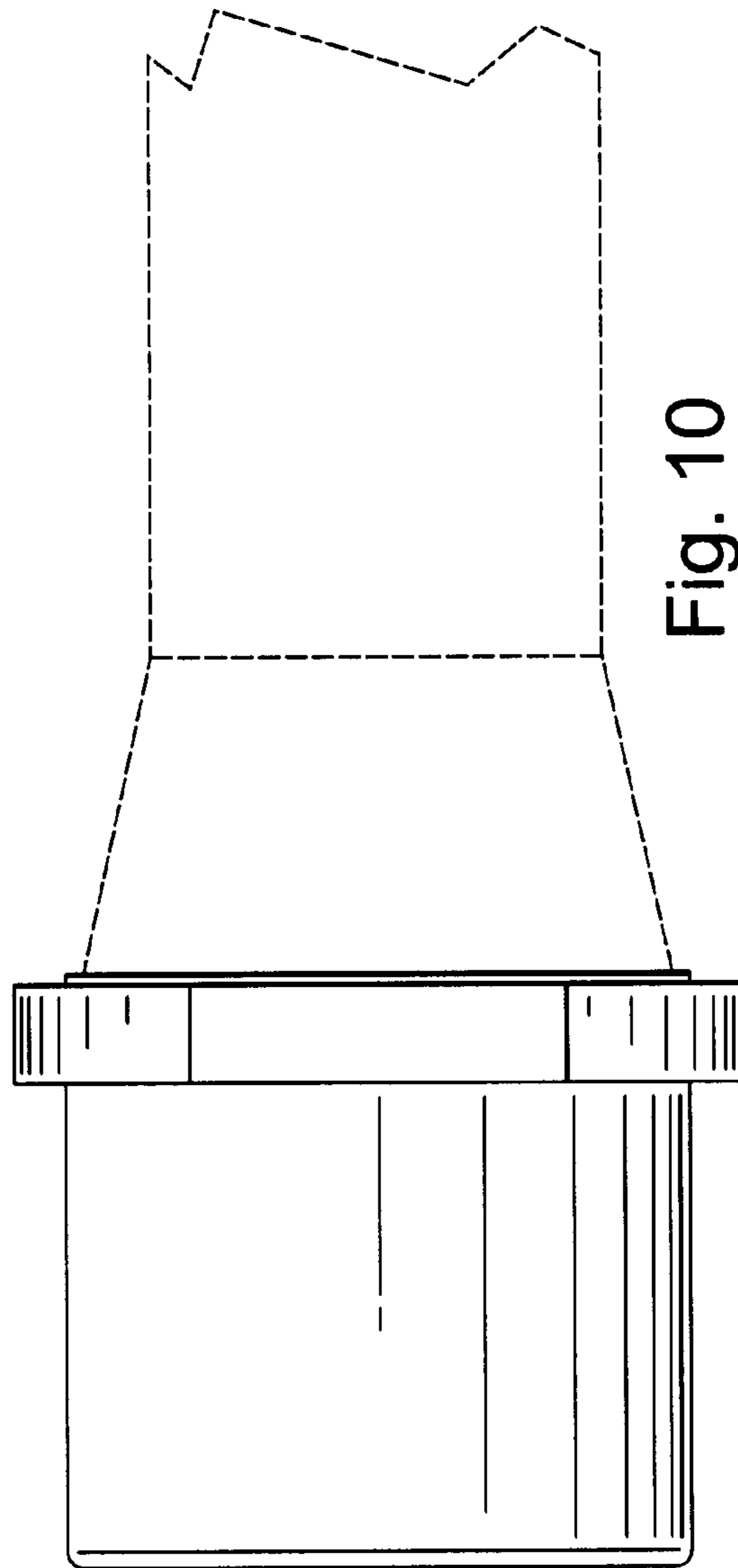


Fig. 10