

US00D527473S

(12) **United States Design Patent**  
**Morioka**

(10) **Patent No.:** **US D527,473 S**

(45) **Date of Patent:** **\*\* Aug. 29, 2006**

(54) **REAR COMBINATION LAMP FOR AN  
AUTOMOBILE**

D490,916 S \* 6/2004 Pien ..... D26/28  
D504,965 S \* 5/2005 Lin ..... D26/28

(75) Inventor: **Keisuke Morioka**, Wako (JP)

\* cited by examiner

(73) Assignee: **Honda Motor Co., Ltd.**, Tokyo (JP)

*Primary Examiner*—Marcus A. Jackson

(\*\*) Term: **14 Years**

(74) *Attorney, Agent, or Firm*—Westerman, Hattori,  
Daniels & Adrian, LLP.

(21) Appl. No.: **29/236,264**

(57) **CLAIM**

(22) Filed: **Aug. 15, 2005**

The ornamental design for, a rear combination lamp for an  
automobile, as shown and described.

(30) **Foreign Application Priority Data**

Feb. 16, 2005 (JP) ..... 2005-004167

**DESCRIPTION**

(51) **LOC (8) Cl.** ..... **26-06**

FIG. 1 is a front elevation view of a rear combination lamp  
for an automobile, showing our new design;

(52) **U.S. Cl.** ..... **D26/28**

FIG. 2 is a top plan view thereof;

(58) **Field of Classification Search** ..... D26/28-36;

FIG. 3 is a bottom plan view thereof;

362/459-468, 475-478, 485-487

FIG. 4 is a right side elevation view thereof;

See application file for complete search history.

FIG. 5 is a left side elevation view thereof; and,

FIG. 6 is a perspective view thereof.

(56) **References Cited**

The broken in the drawings is illustrative purposes only and  
forms no part of the claimed design.

**U.S. PATENT DOCUMENTS**

D485,921 S \* 1/2004 Liao ..... D26/28

**1 Claim, 3 Drawing Sheets**

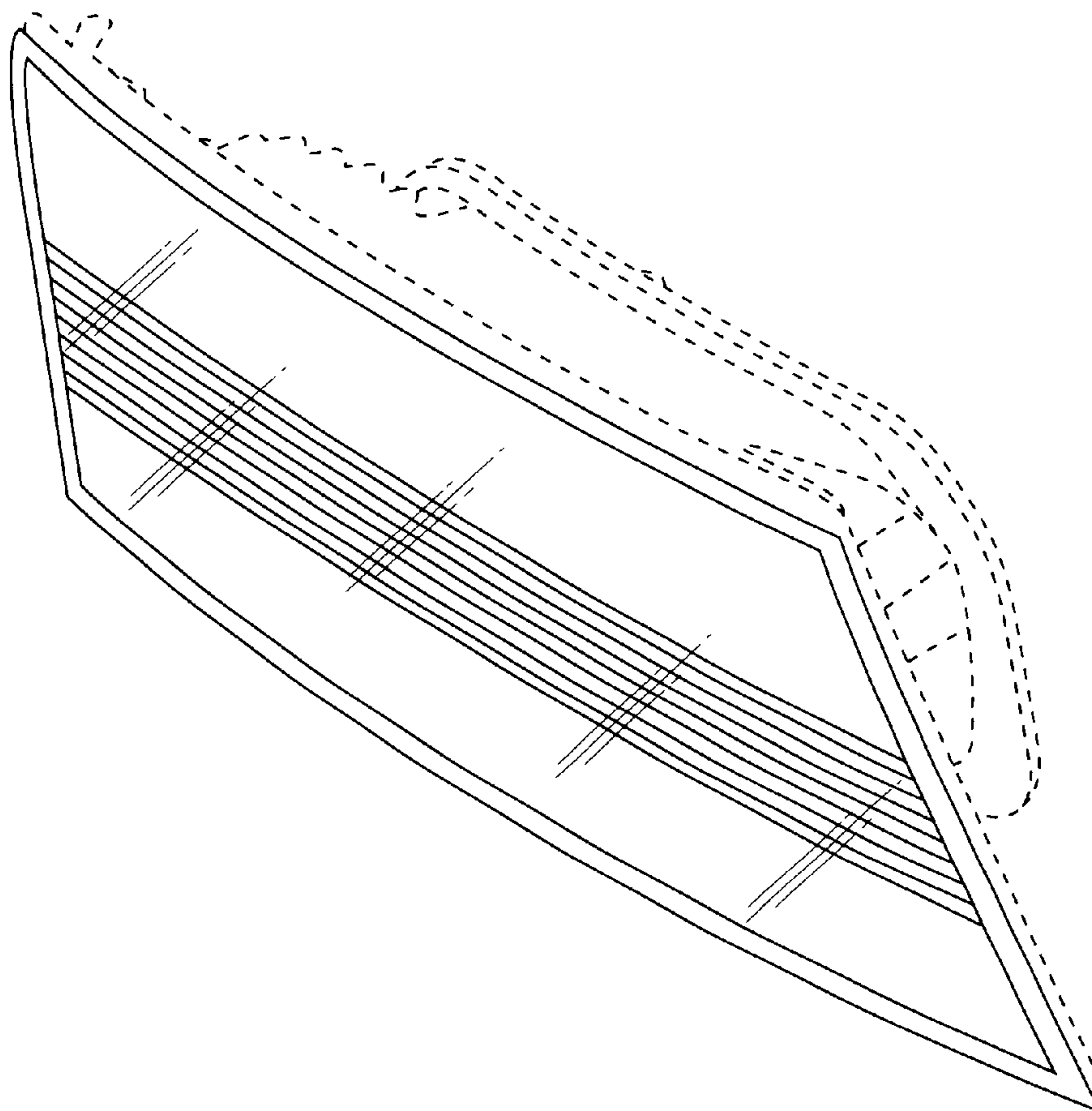


Fig. 1

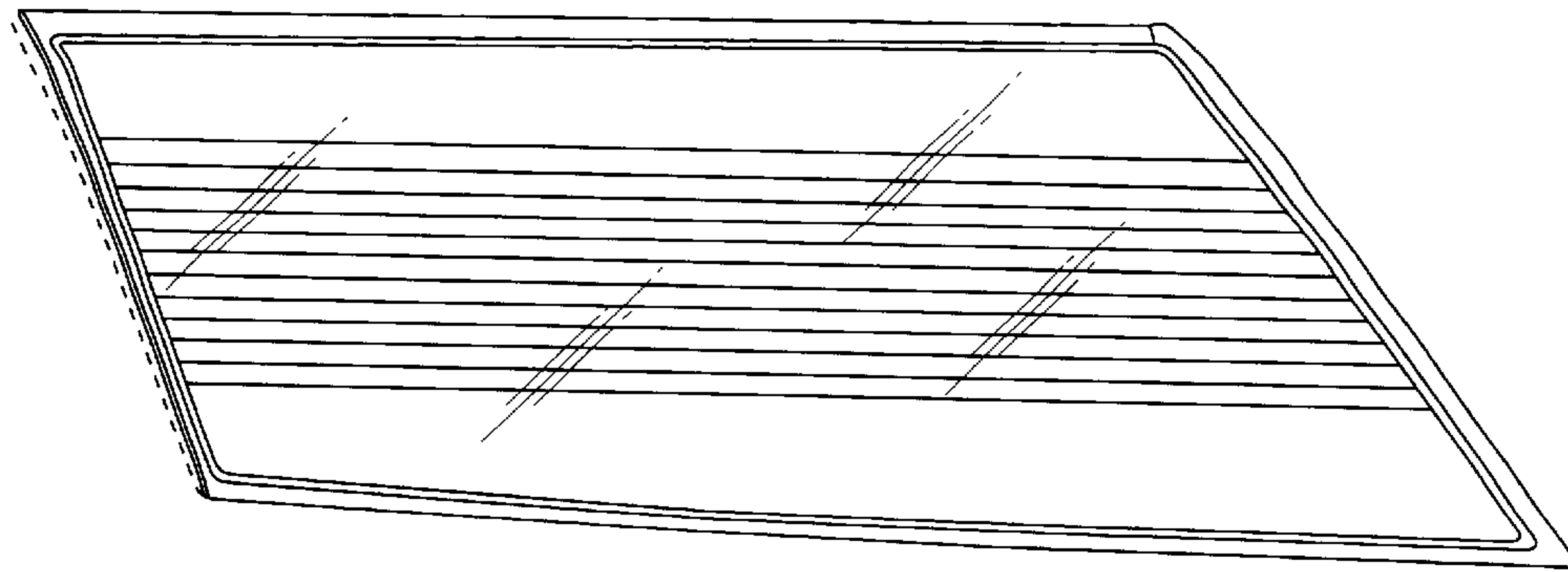


Fig. 2

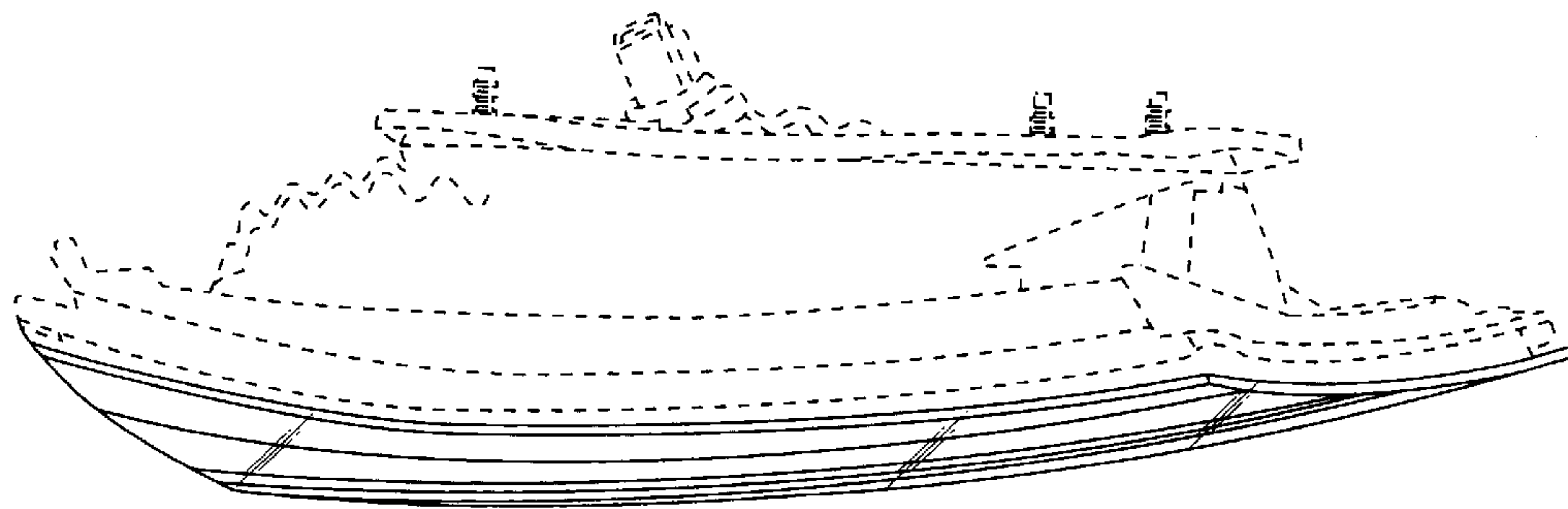


Fig. 3

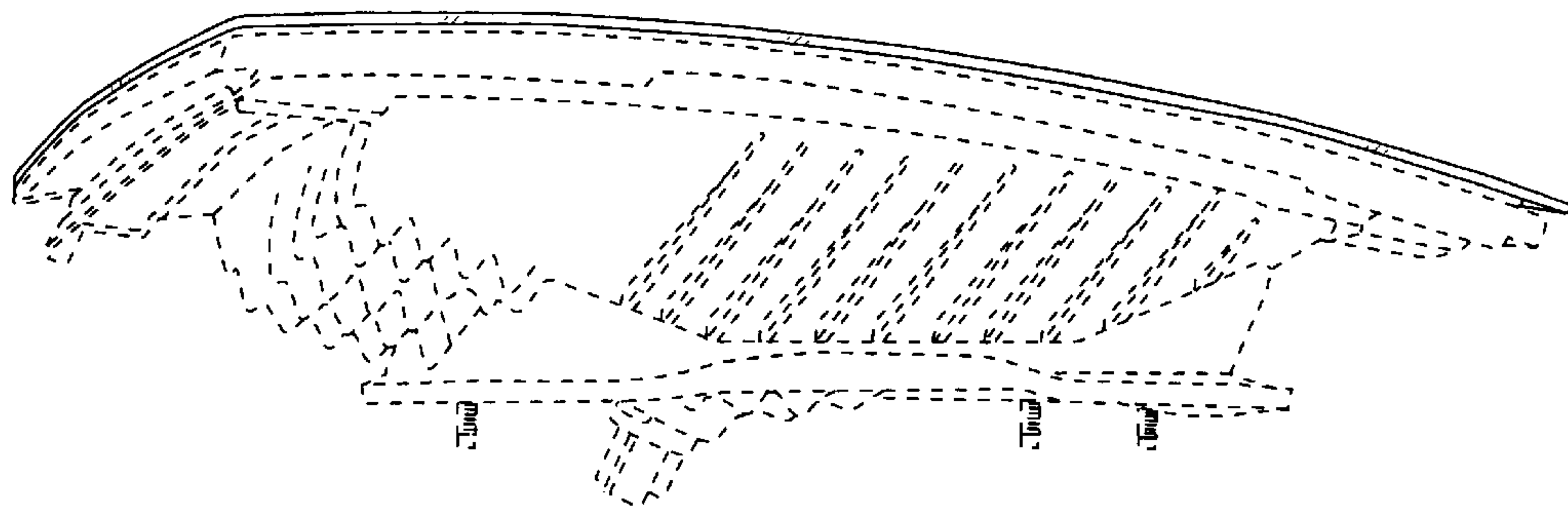


Fig. 4

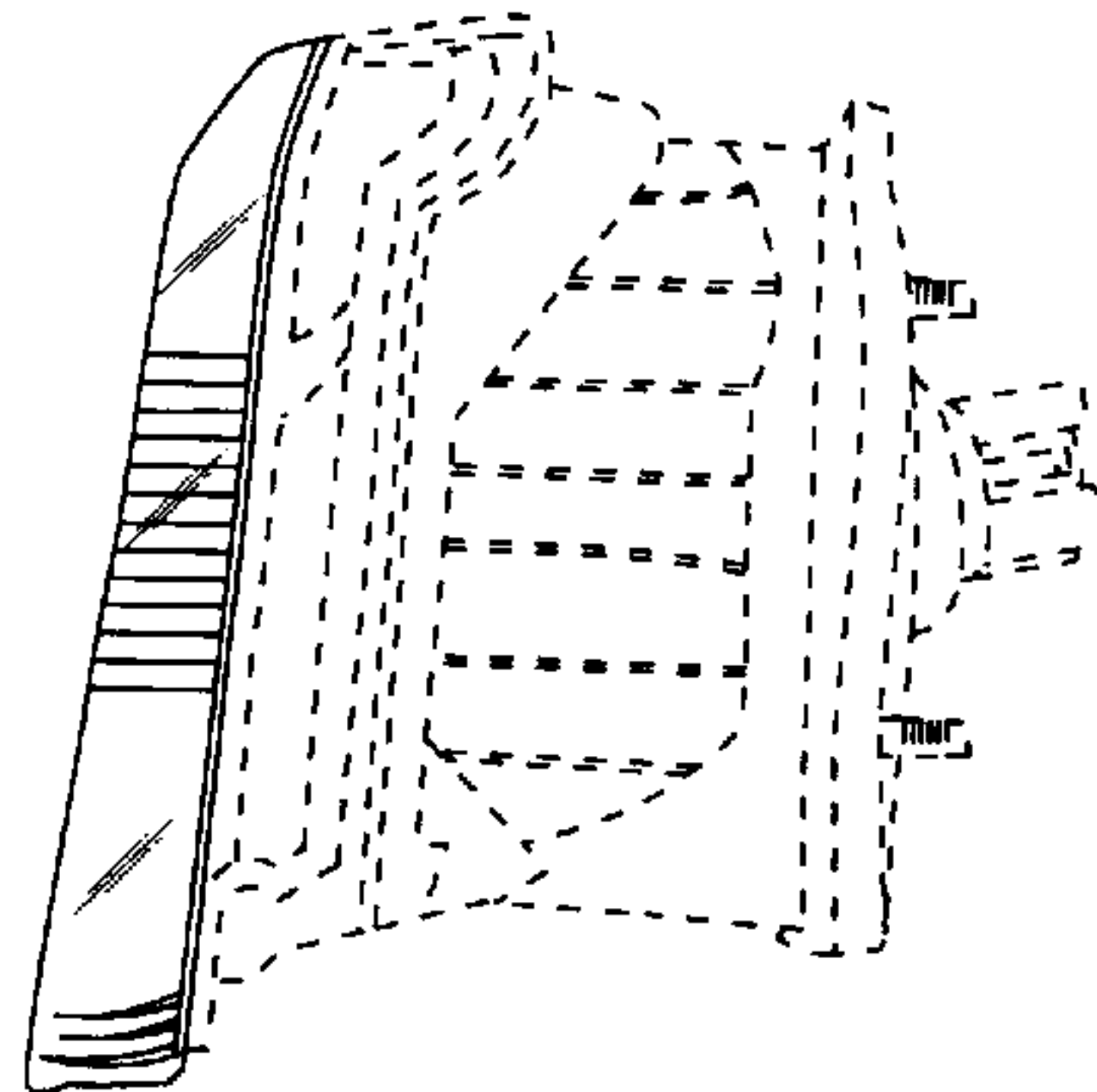


Fig. 5

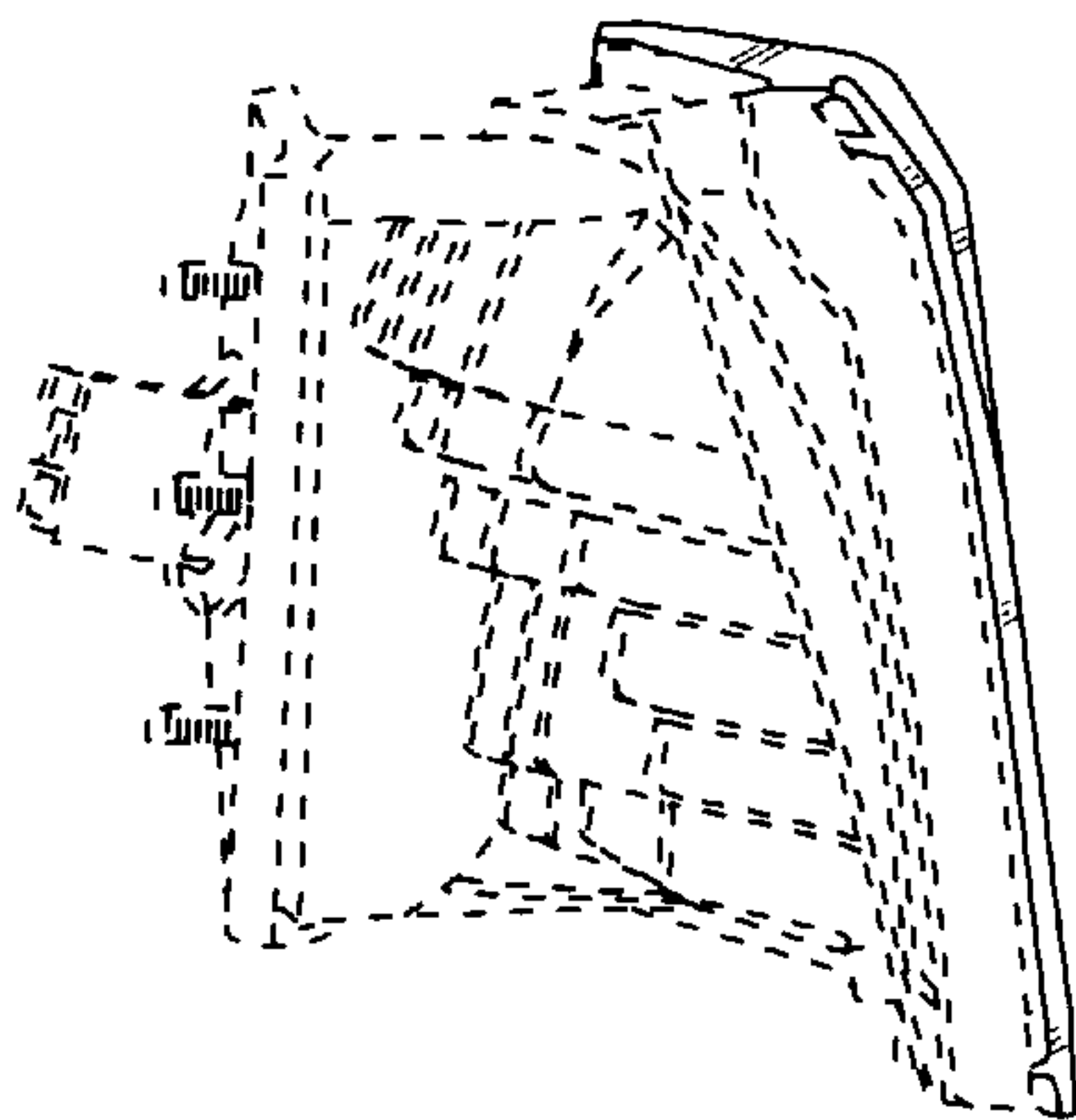


Fig. 6

