



US00D527468S

(12) **United States Design Patent**
Wilkinson

(10) **Patent No.:** **US D527,468 S**

(45) **Date of Patent:** **** Aug. 29, 2006**

(54) **ROOF TILE**

(76) Inventor: **Robert W. Wilkinson**, 44300 Camino Azul, La Quinta, CA (US) 92253

(**) Term: **14 Years**

(21) Appl. No.: **29/202,105**

(22) Filed: **Mar. 25, 2004**

(51) **LOC (8) Cl.** **25-01**

(52) **U.S. Cl.** **D25/141; D25/139**

(58) **Field of Classification Search** D25/139,
D25/141; 52/588.1, 582.1, 583.1

See application file for complete search history.

(56) **References Cited**

U.S. PATENT DOCUMENTS

D38,931 S	*	12/1907	Dickelman	D25/139
4,040,867 A		8/1977	Forestieri et al.	136/244
4,313,022 A		1/1982	Jordan et al.	136/244
4,636,577 A		1/1987	Peterpaul	136/206
5,575,861 A		11/1996	Younan et al.	136/251
5,768,831 A		6/1998	Melchior	52/173.3
5,787,653 A		8/1998	Sakai et al.	52/173.3

D422,096 S	*	3/2000	Stead	D25/139
6,384,313 B1		5/2002	Nakagawa et al.	136/244
6,775,951 B1	*	8/2004	Gumpert et al.	52/200

* cited by examiner

Primary Examiner—Doris Clark

(74) *Attorney, Agent, or Firm*—Blumenfeld, Kaplan & Sandweiss, P.C.

(57) **CLAIM**

The ornamental design for a roof tile, as shown and described.

DESCRIPTION

FIG. 1 is a perspective view of a roof tile showing my new design;

FIG. 2 is a top plan view thereof;

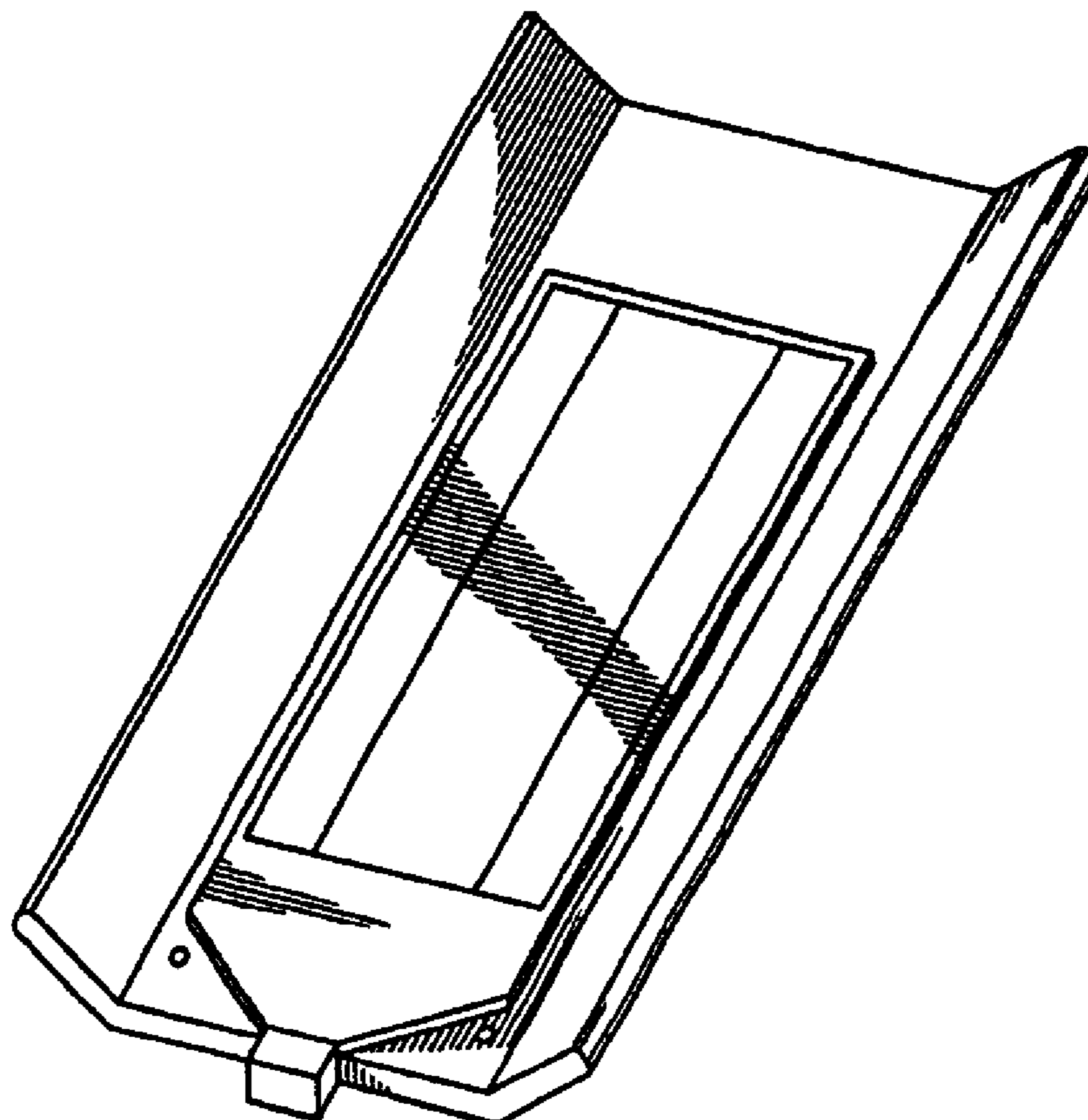
FIG. 3 is a bottom plan view;

FIG. 4 is an end elevational view thereof;

FIG. 5 is an elevational view of the opposite end of the tile; and,

FIG. 6 is a left side elevational view, the right side view being a mirror image thereof.

1 Claim, 2 Drawing Sheets



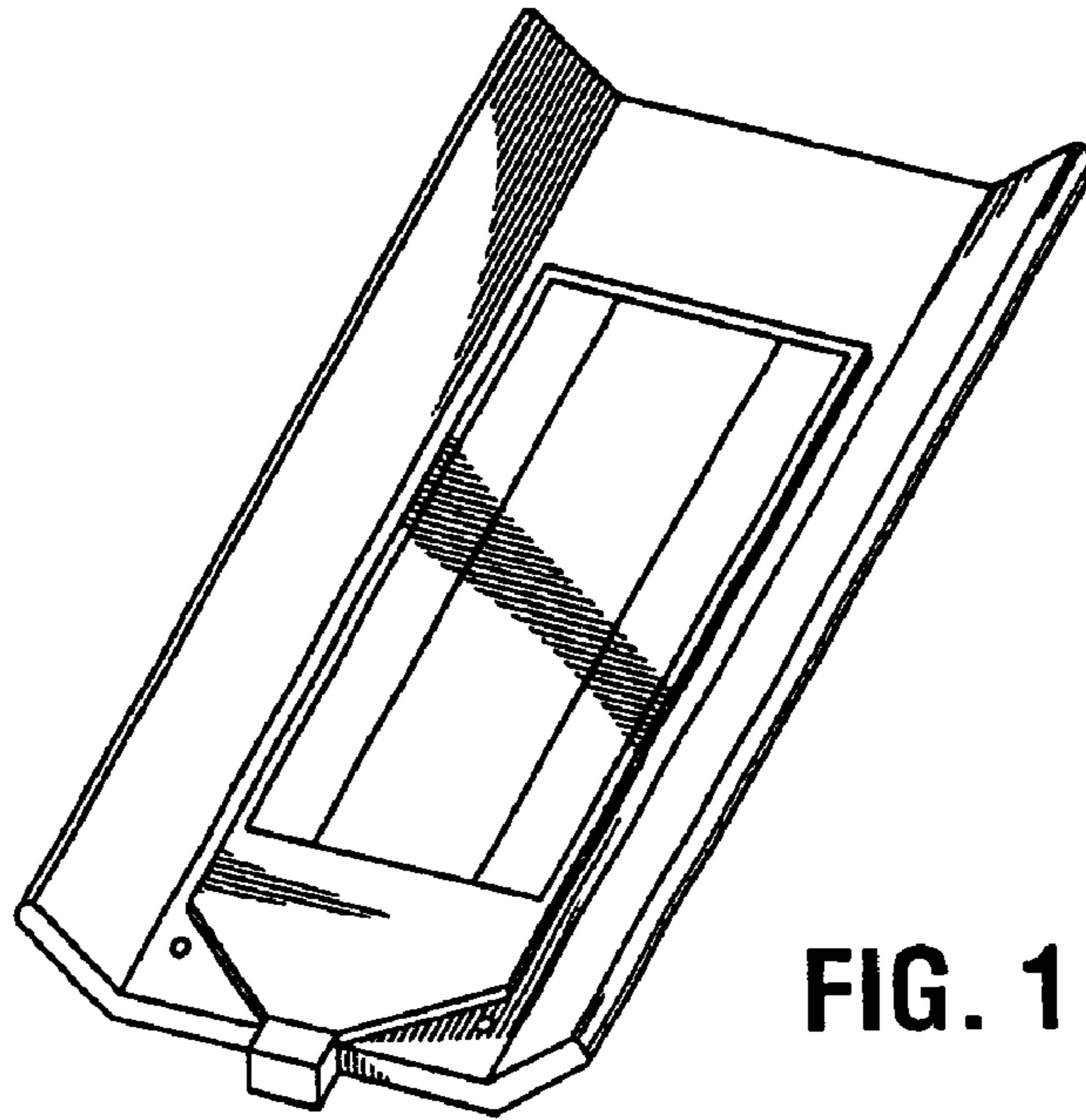


FIG. 1

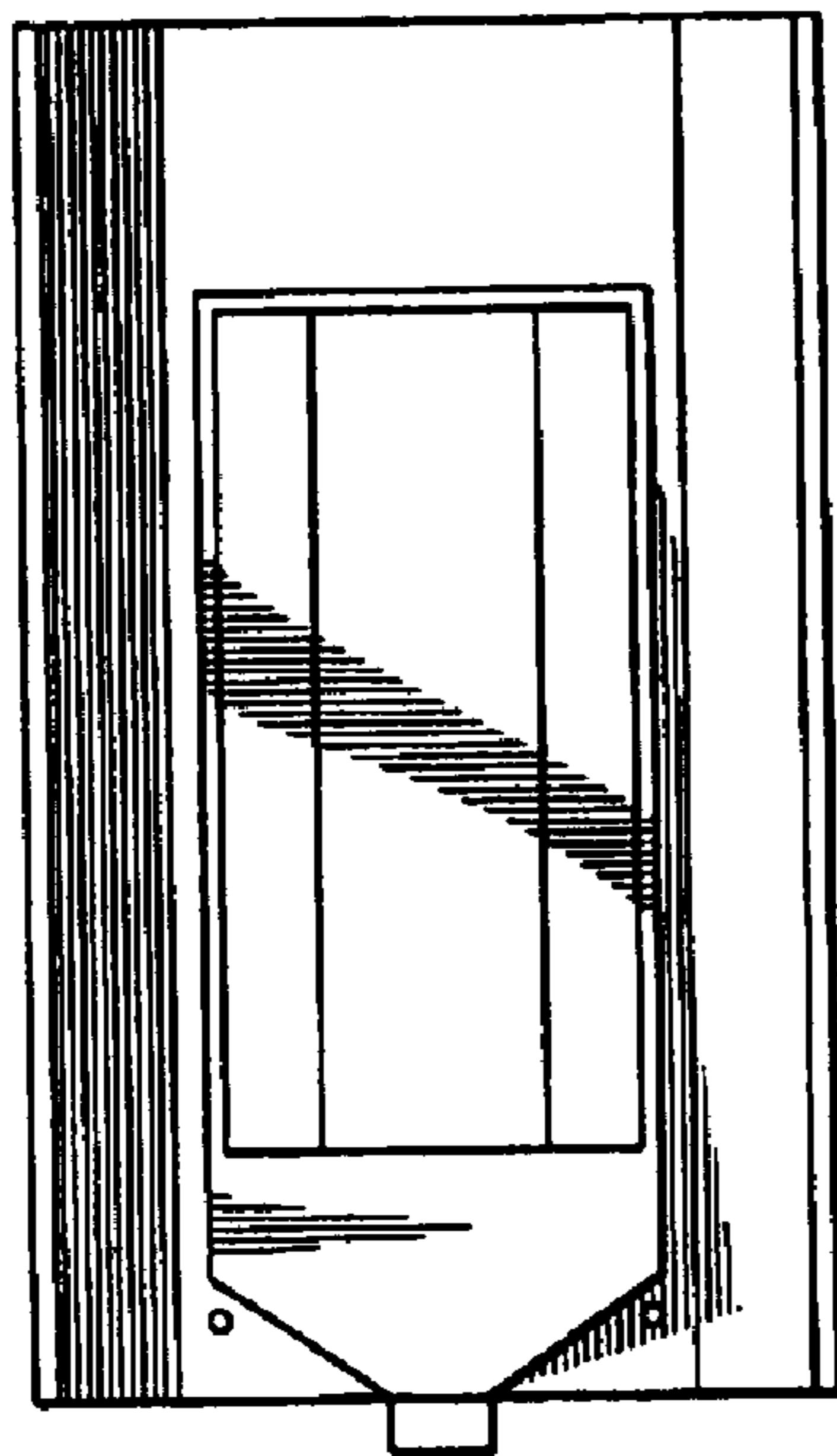


FIG. 2

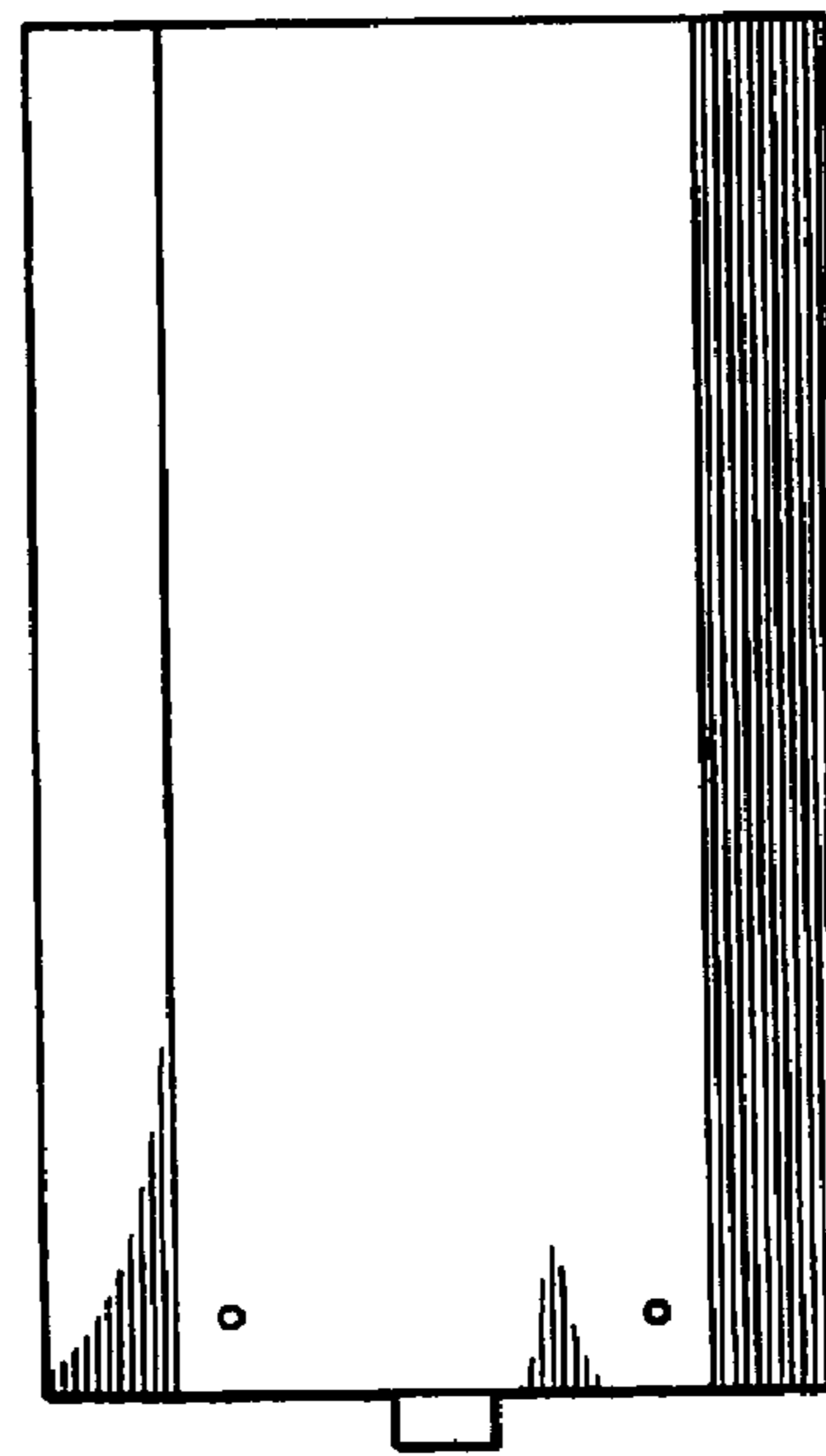


FIG. 3



FIG. 4



FIG. 5

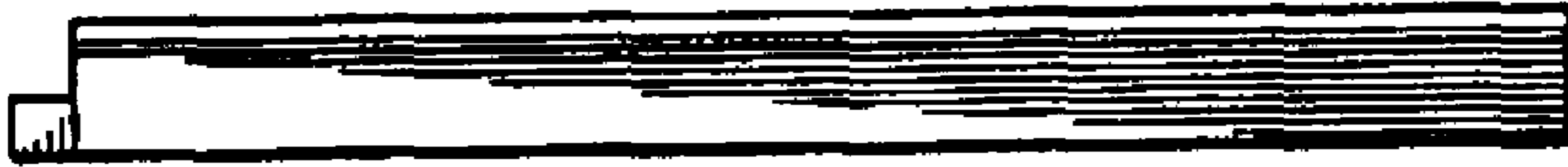


FIG. 6