



US00D527467S

(12) **United States Design Patent**
Telford

(10) **Patent No.:** **US D527,467 S**

(45) **Date of Patent:** **** Aug. 29, 2006**

(54) **LIGHTWEIGHT BUILDING BLOCK**

(76) **Inventor:** **Kaine Malcolm Andrew Telford**, 144
Granite Street, Geebung, Queensland
4034 (AU)

(**) **Term:** **14 Years**

(21) **Appl. No.:** **29/231,624**

(22) **Filed:** **Jun. 8, 2005**

(30) **Foreign Application Priority Data**

Jan. 18, 2005 (AU) 10183/2005
Jan. 18, 2005 (AU) 10184/2005

(51) **LOC (8) Cl.** **25-01**

(52) **U.S. Cl.** **D25/114**

(58) **Field of Classification Search** D25/112-118,
D25/164; D21/484-486; 405/15-16, 30-31,
405/33, 284; 404/29, 34; 52/102, 575, 596-609
See application file for complete search history.

(56) **References Cited**

U.S. PATENT DOCUMENTS

134,374 A * 12/1872 Frank 52/606
1,897,238 A * 2/1933 Chapman 52/612
2,094,571 A * 9/1937 Fischer 404/40
2,701,959 A * 2/1955 Briggs 52/505
3,281,510 A * 10/1966 Lovret 52/607

4,787,189 A * 11/1988 Haug et al. D25/113
D464,742 S * 10/2002 Gregori D25/118
2004/0020145 A1 * 2/2004 Matsufuji 52/606

* cited by examiner

Primary Examiner—Robert A. Delehanty

(74) *Attorney, Agent, or Firm*—Leydig, Voit & Mayer, Ltd.

(57) **CLAIM**

The ornamental designs for a lightweight building block, as shown and described.

DESCRIPTION

FIG. 1 is a top plan view of a first embodiment of a building block showing my new design shown broken away to indicate indeterminate length;

FIG. 2 is a side elevation view thereof;

FIG. 3 is an end elevation view thereof;

FIG. 4 is a perspective view thereof;

FIG. 5 is a top plan view of a second embodiment of the building block shown broken away to indicate indeterminate length;

FIG. 6 is a side elevation view thereof;

FIG. 7 is a perspective view thereof; and,

FIG. 8 is an end elevation view thereof.

The dotted lines depict that the building blocks may be of varied lengths and form no part of the claimed designs.

1 Claim, 4 Drawing Sheets

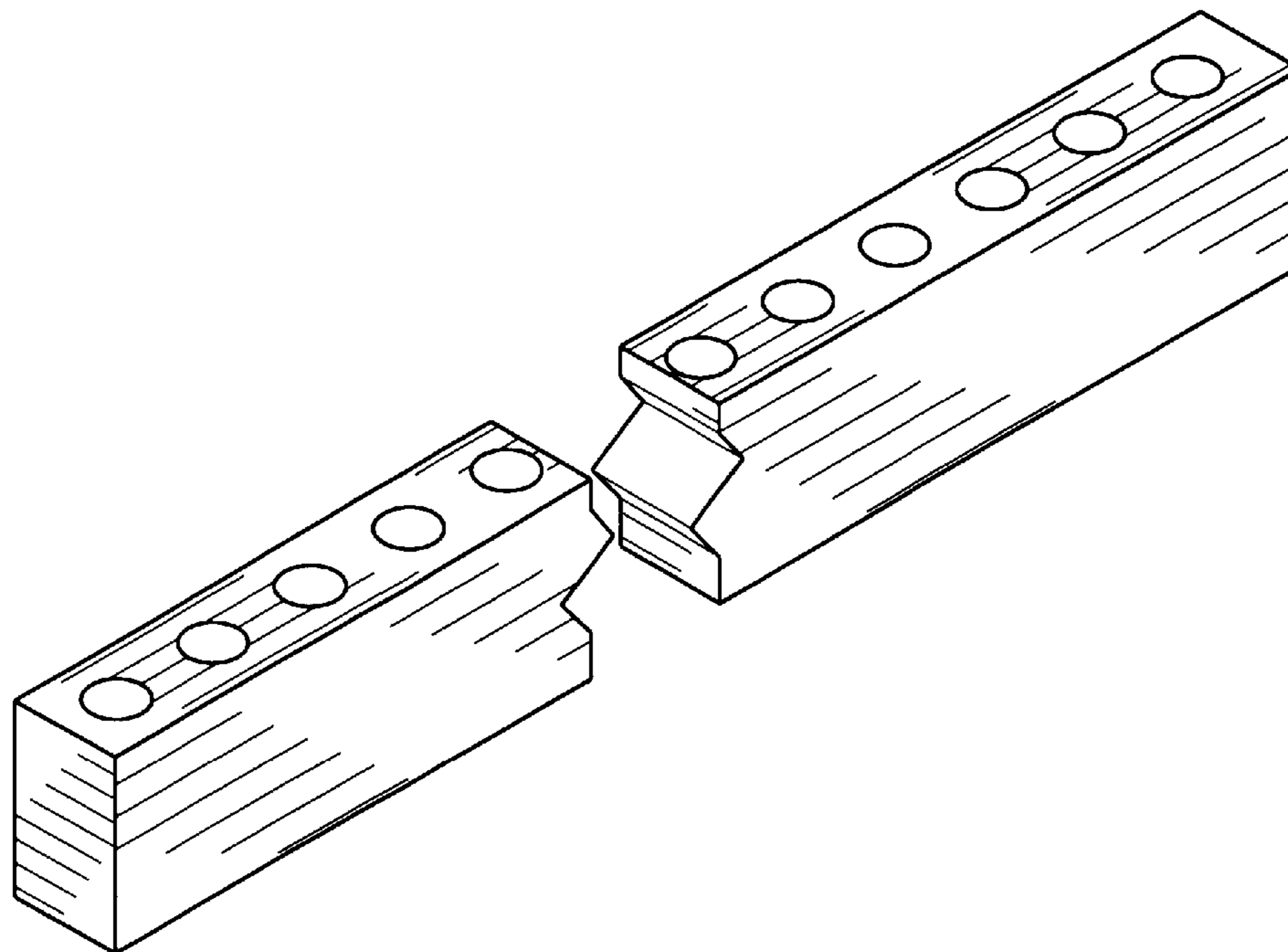
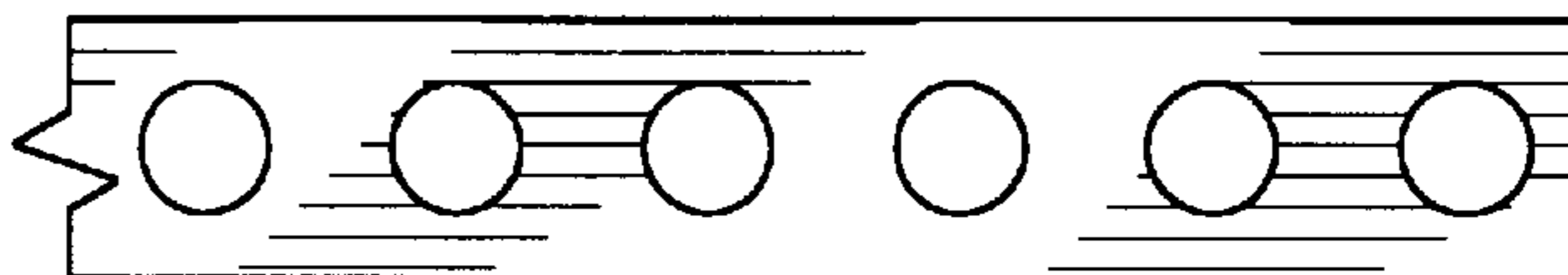
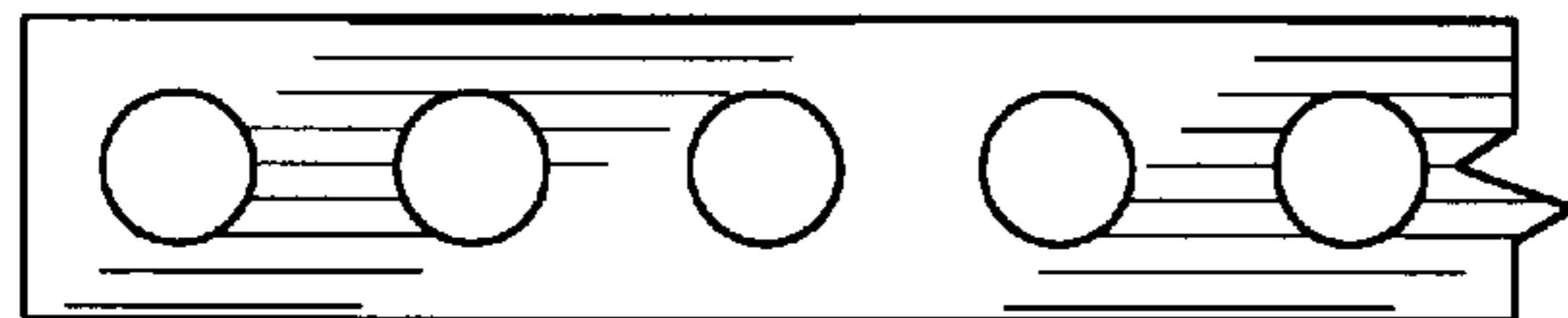


FIG. 1



FIG. 2

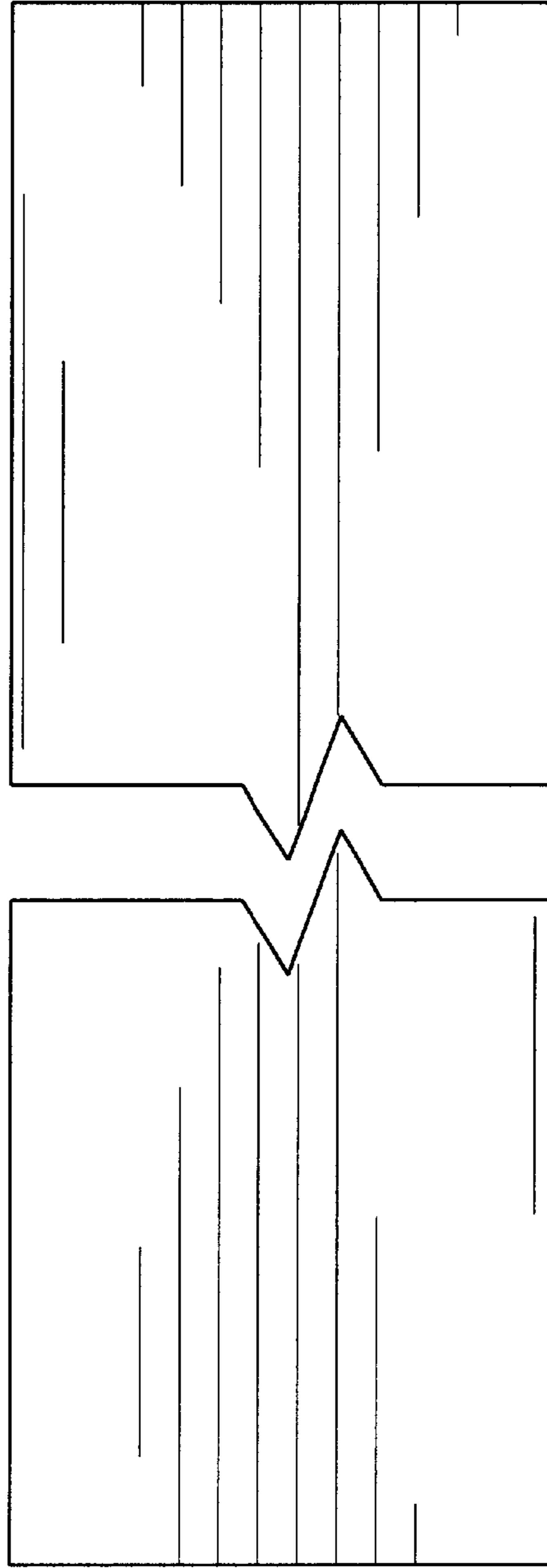
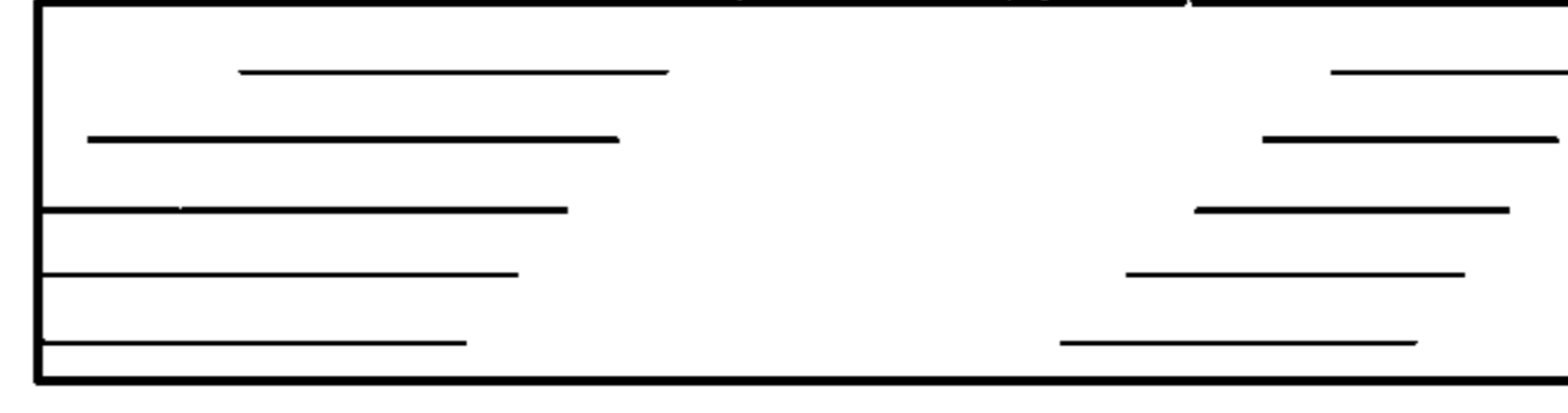


FIG. 3



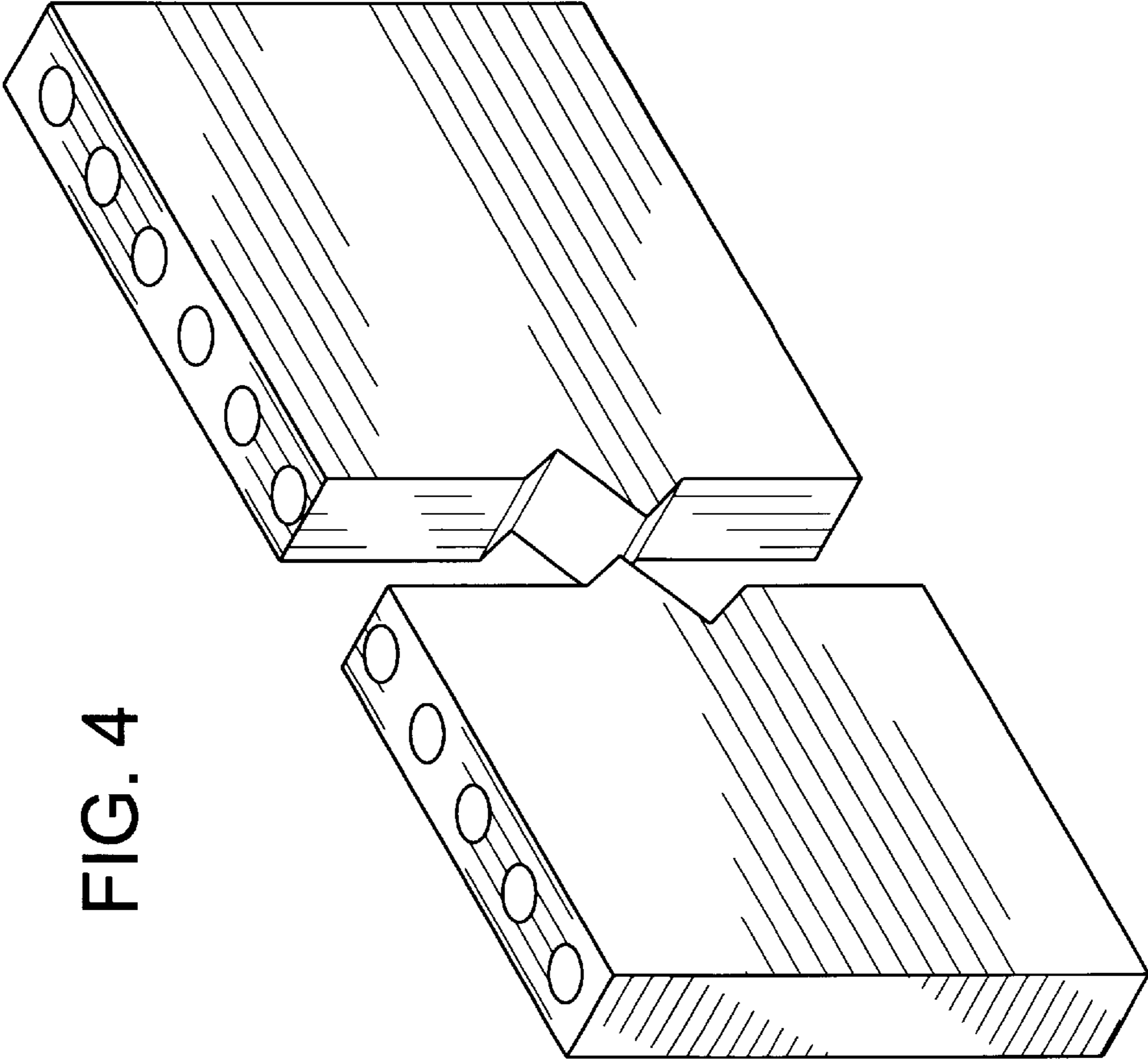


FIG. 4

FIG. 5



FIG. 6

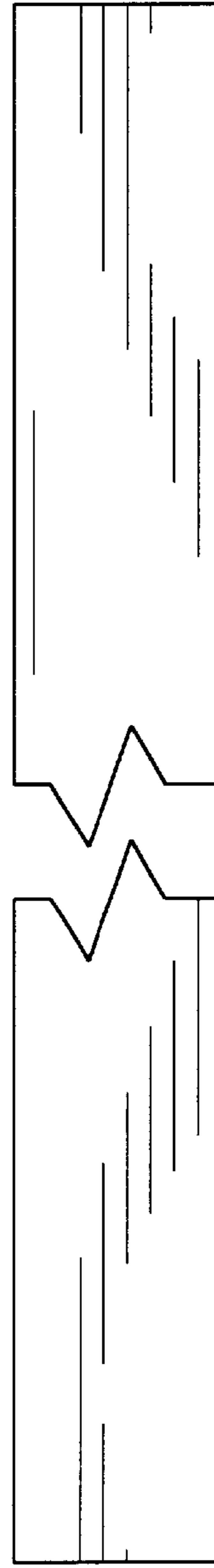
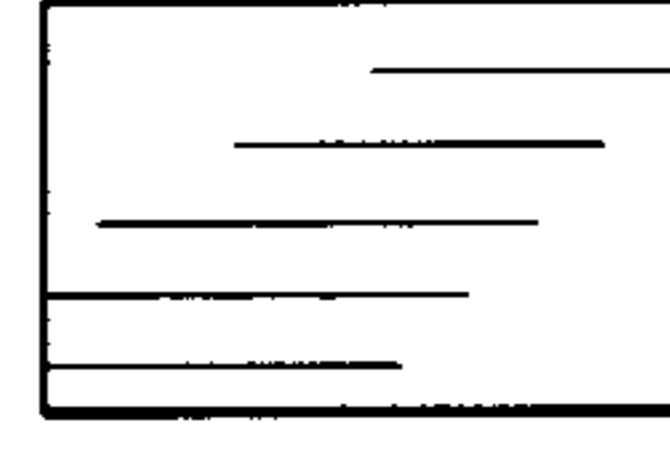


FIG. 8



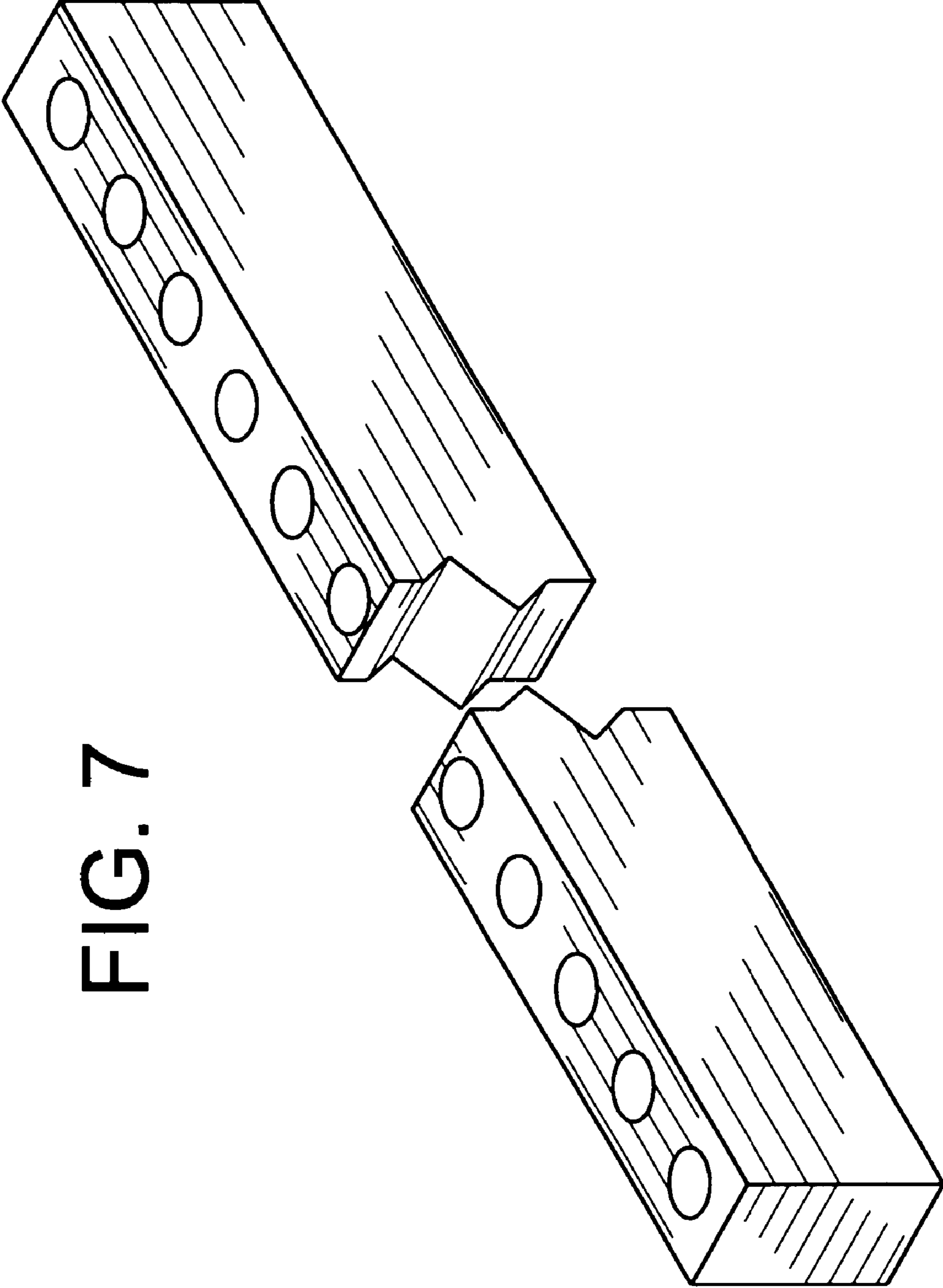


FIG. 7