

US00D527460S

(12) **United States Design Patent**
Kawamura

(10) **Patent No.:** **US D527,460 S**

(45) **Date of Patent:** **** Aug. 29, 2006**

(54) **MASSAGING APPARATUS FOR LEGS**

(75) **Inventor:** **Noritsugu Kawamura**, Osaka (JP)

(73) **Assignee:** **Family Co., Ltd.**, Osaka (JP)

(**) **Term:** **14 Years**

(21) **Appl. No.:** **29/223,881**

(22) **Filed:** **Feb. 18, 2005**

(30) **Foreign Application Priority Data**

Aug. 23, 2004 (JP) 2004-025115

(51) **LOC (8) Cl.** **24-04**

(52) **U.S. Cl.** **D24/200; D24/215**

(58) **Field of Classification Search** D24/200,
D24/213, 215; 601/23, 27-35, 46
See application file for complete search history.

(56) **References Cited**

U.S. PATENT DOCUMENTS

5,107,822	A	*	4/1992	Ohashi	601/23
D329,499	S	*	9/1992	Ohashi	D24/213
D330,597	S	*	10/1992	Teranishi	D24/215
D340,116	S	*	10/1993	Ohashi	D24/213
D346,030	S	*	4/1994	Tsai	D24/213
D358,656	S	*	5/1995	Chang	D24/213
5,411,469	A	*	5/1995	Wang	601/92
D379,661	S	*	6/1997	You	D24/213
D385,360	S	*	10/1997	Benaron	D24/215
D414,560	S	*	9/1999	Higashi et al.	D24/215
D435,299	S	*	12/2000	Chou	D24/213
D444,884	S	*	7/2001	Huang	D24/213
6,285,144	B1	*	9/2001	Shih	601/23
2003/0050579	A1	*	3/2003	Hsieh et al.	601/104

* cited by examiner

Primary Examiner—Charles A. Rademaker

Assistant Examiner—Melanie Levy

(74) *Attorney, Agent, or Firm*—Alleman Hall McCoy
Russell & Tuttle LLP

(57) **CLAIM**

The ornamental design for a massaging apparatus for legs, as shown and described.

DESCRIPTION

FIG. 1 is a front view of a massaging apparatus for legs according to one embodiment of the present invention, shown with air bags in a deflated configuration.

FIG. 2 is a rear view of the massaging apparatus for legs of FIG. 1, shown with air bags in a deflated configuration.

FIG. 3 is a top view of the massaging apparatus for legs of FIG. 1, shown with air bags in a deflated configuration.

FIG. 4 is a bottom view of the massaging apparatus for legs of FIG. 1, shown with air bags in a deflated configuration.

FIG. 5 is a left side view of the massaging apparatus for legs of FIG. 1, shown with air bags in a deflated configuration.

FIG. 6 is a right side view of the massaging apparatus for legs of FIG. 1, shown with air bags in a deflated configuration.

FIG. 7 is a perspective view of the massaging apparatus for legs of FIG. 1, shown with air bags in a deflated configuration.

FIG. 8 is a front view of the massaging apparatus for legs of FIG. 1, shown with air bags in an inflated configuration.

FIG. 9 is a rear view of the massaging apparatus for legs of FIG. 1, shown with air bags in an inflated configuration.

FIG. 10 is a top view of the massaging apparatus for legs of FIG. 1, shown with air bags in an inflated configuration.

FIG. 11 is a bottom view of the massaging apparatus for legs of FIG. 1, shown with air bags in an inflated configuration.

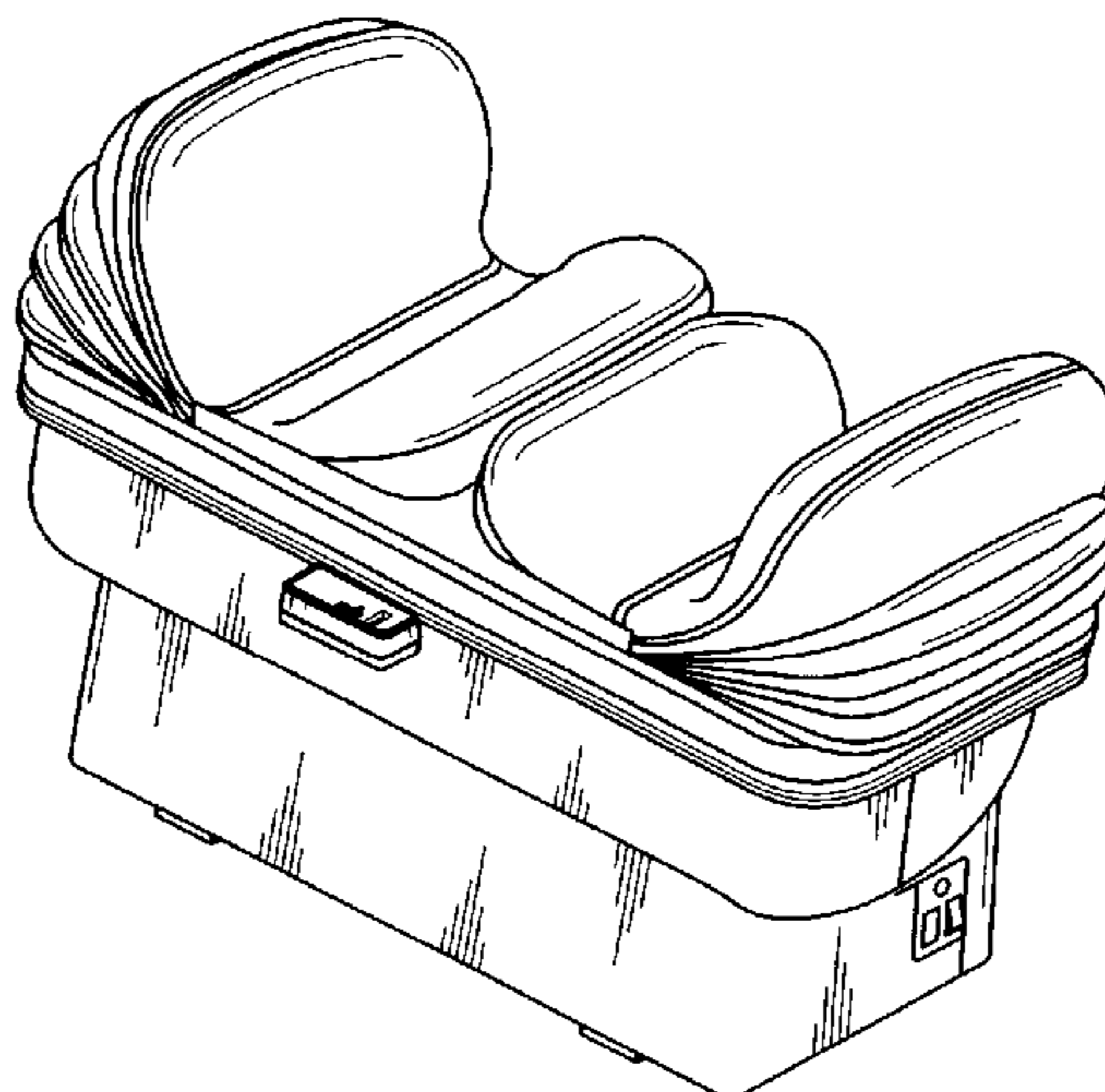
FIG. 12 is a left side view of the massaging apparatus for legs of FIG. 1, shown with air bags in an inflated configuration.

FIG. 13 is a right side view of the massaging apparatus for legs of FIG. 1, shown with air bags in an inflated configuration.

FIG. 14 is a perspective view of the massaging apparatus for legs of FIG. 1, shown with air bags in an inflated configuration; and,

FIG. 15 is a right side view of the massaging apparatus for legs of FIG. 1, shown with a movable table of the apparatus in an angled configuration.

1 Claim, 6 Drawing Sheets



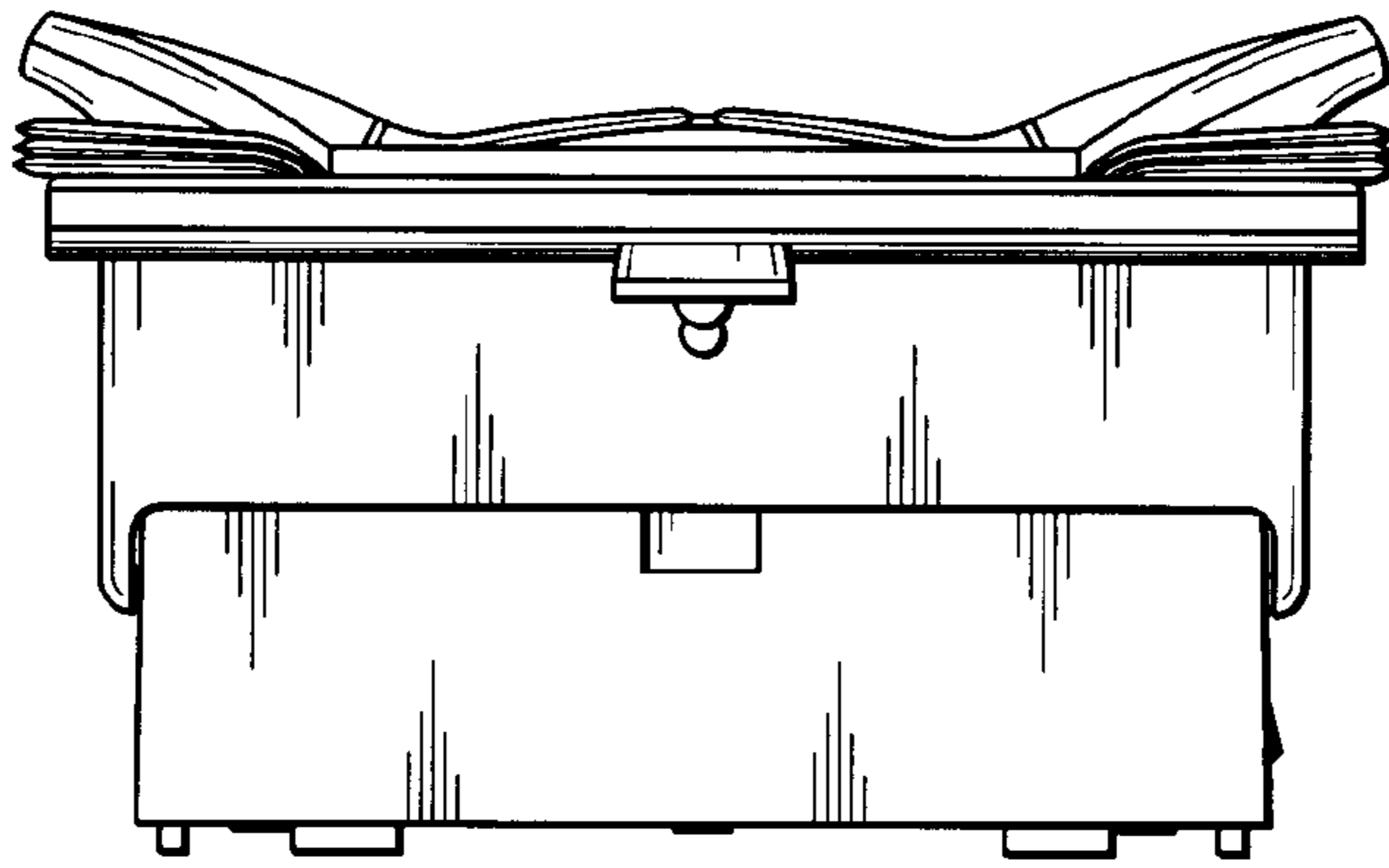


FIG. 1

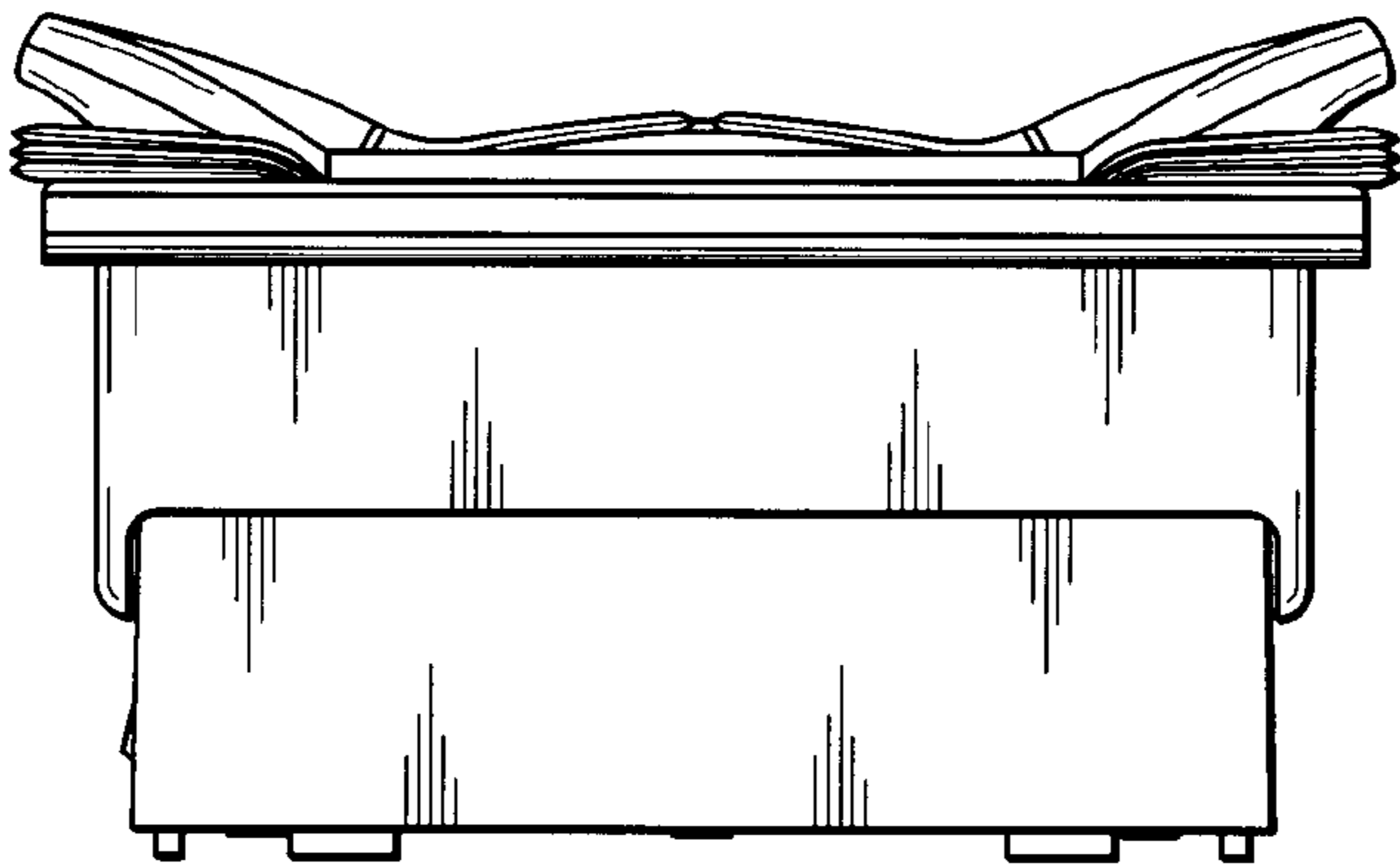


FIG. 2

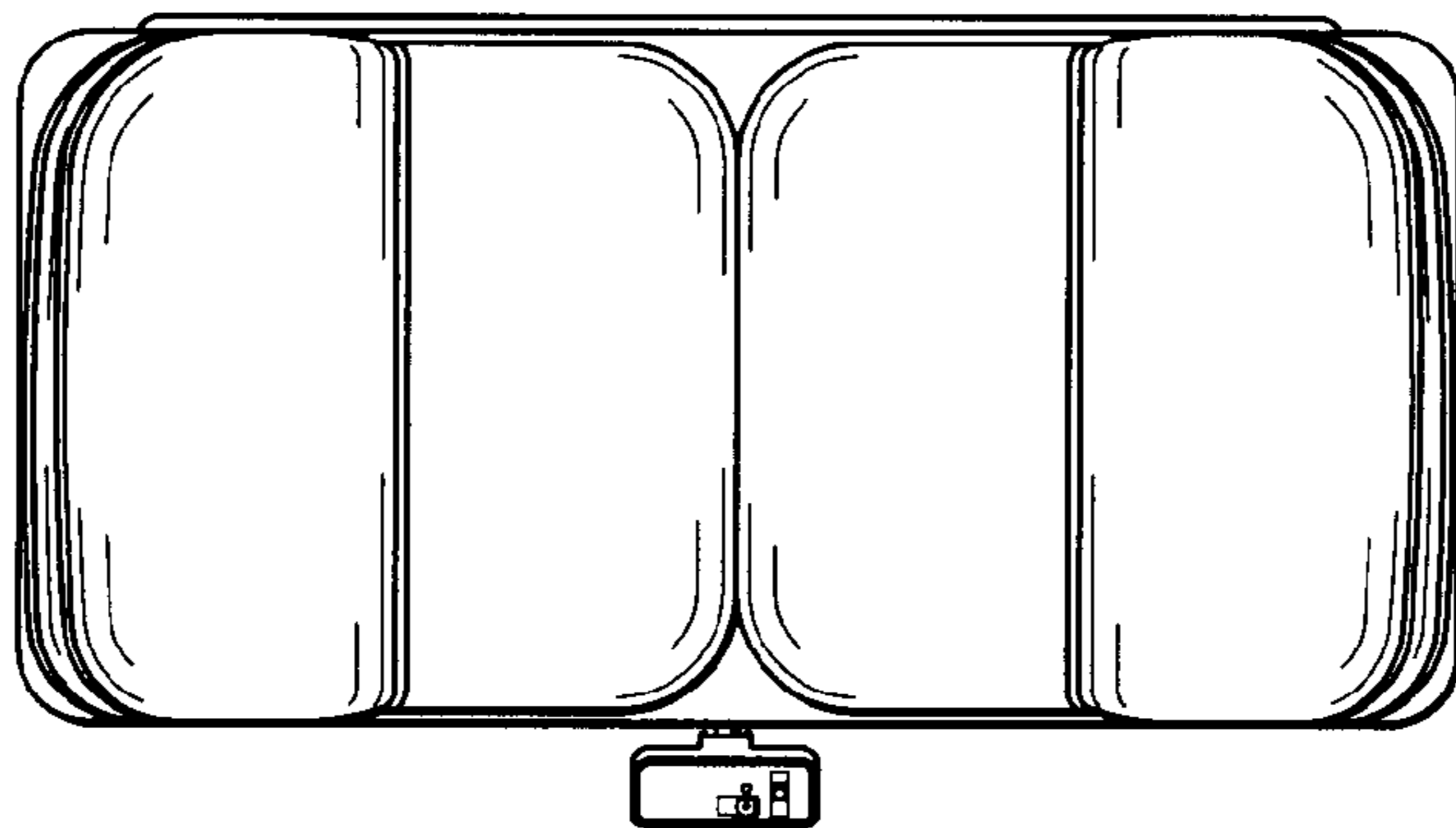


FIG. 3

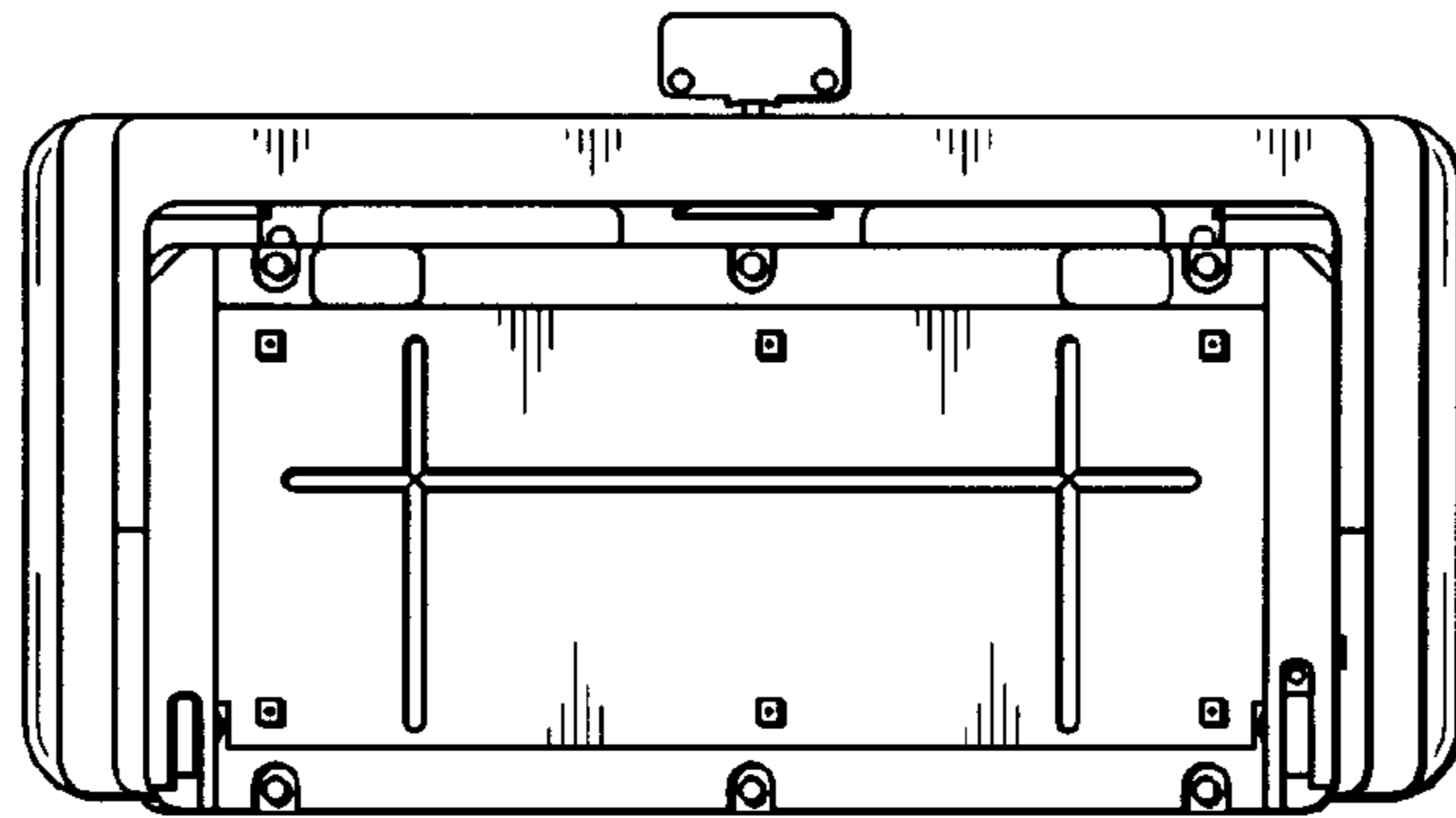


FIG. 4

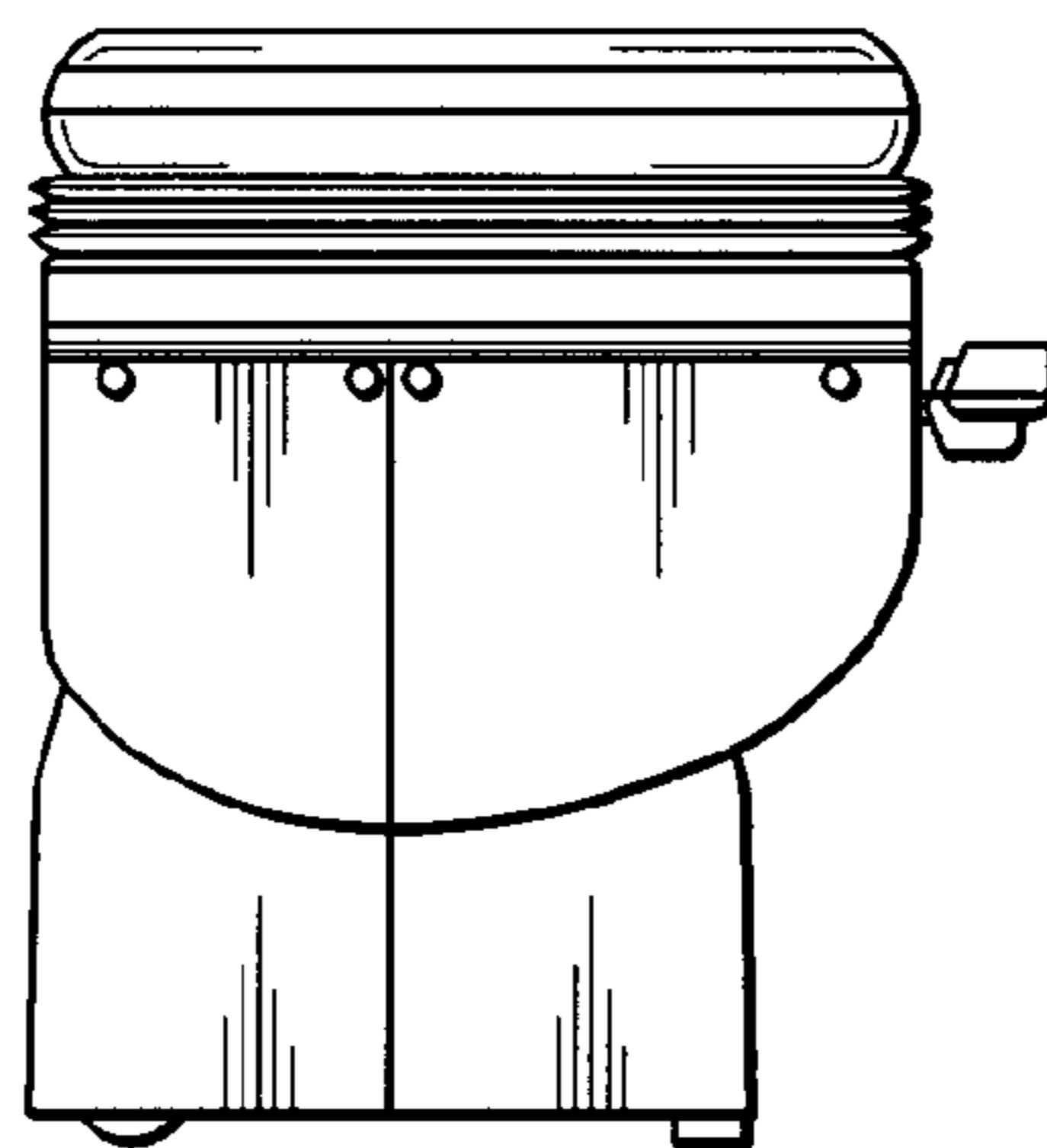


FIG. 5

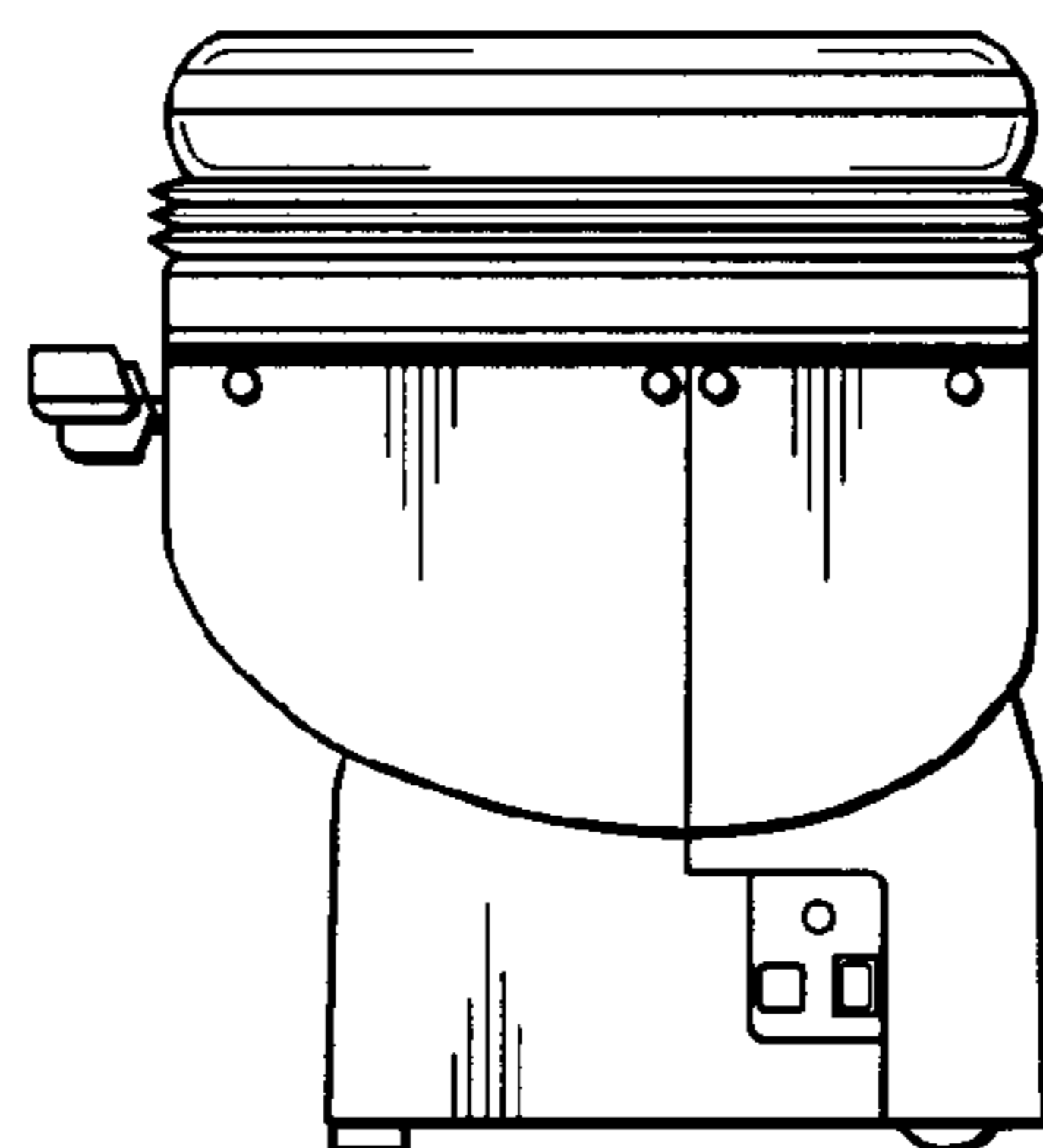


FIG. 6

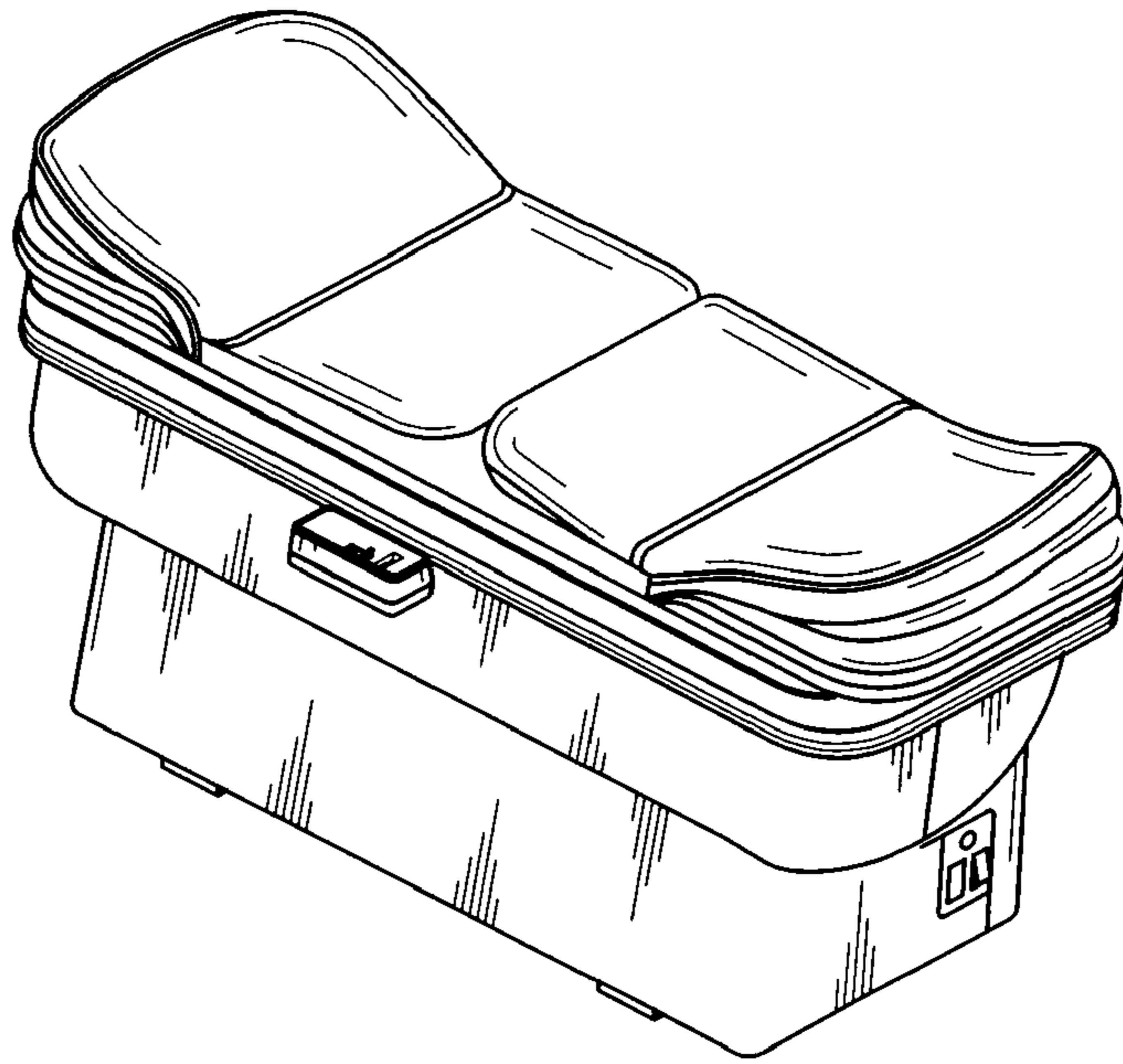


FIG. 7

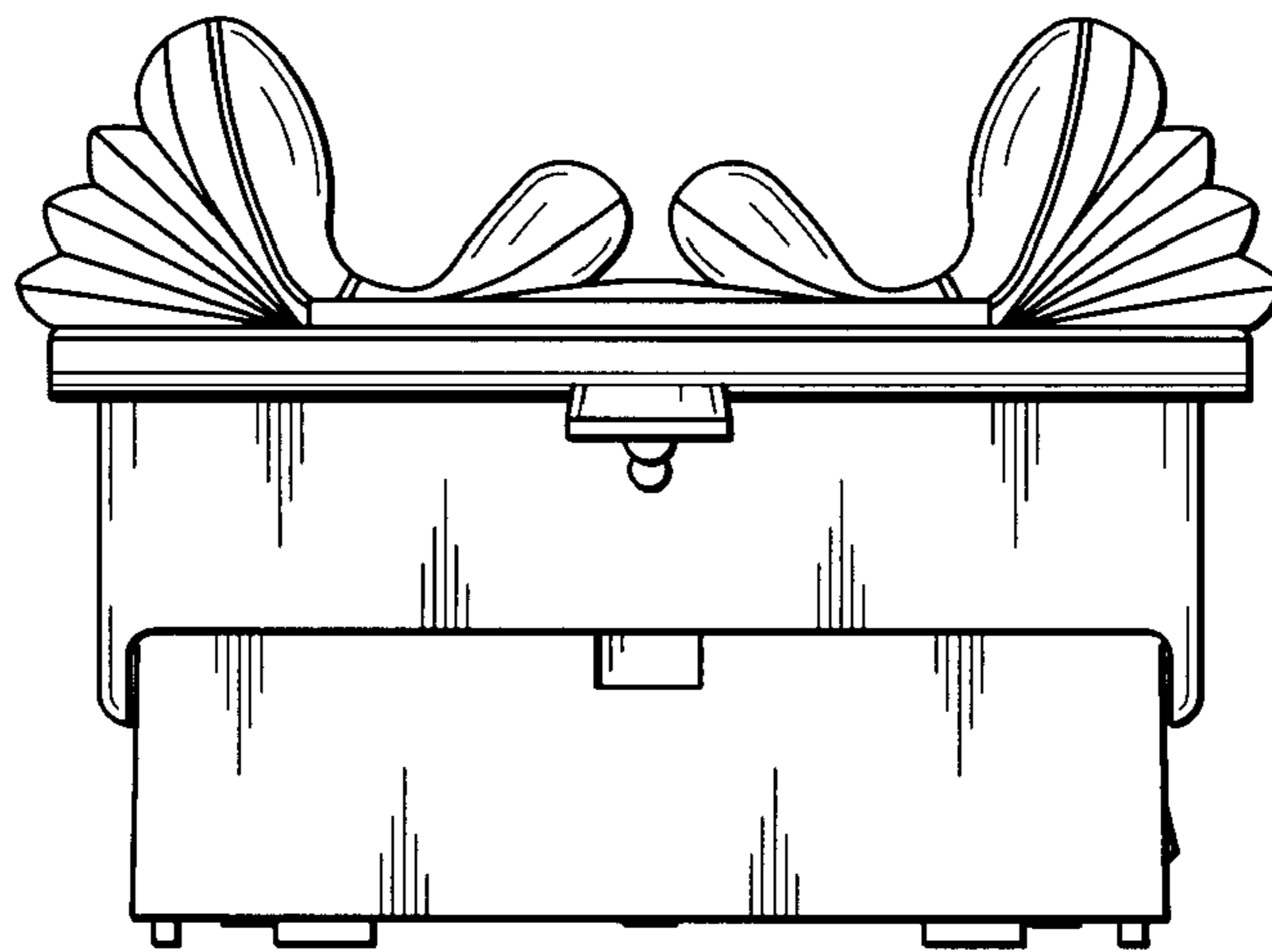


FIG. 8

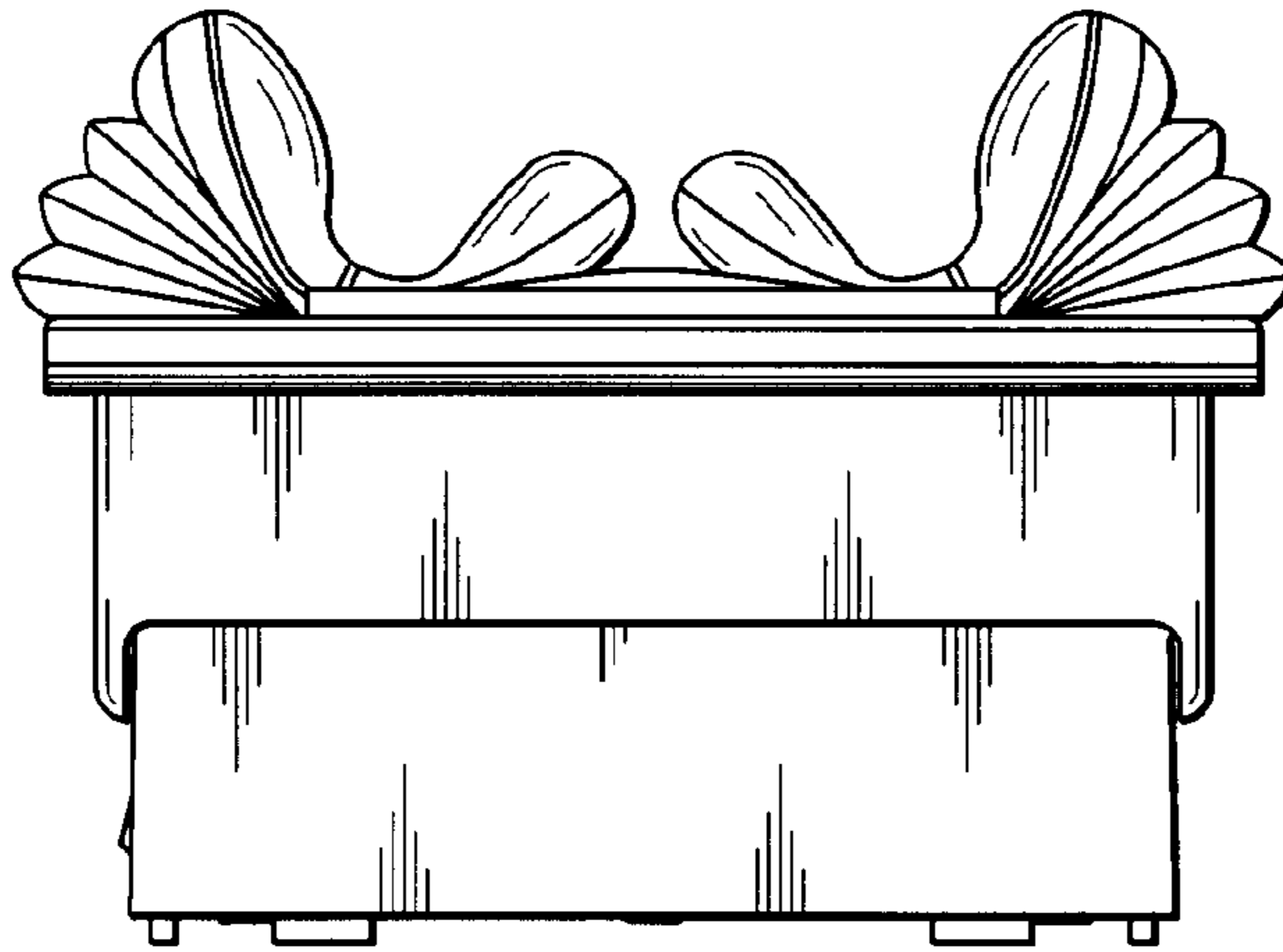


FIG. 9

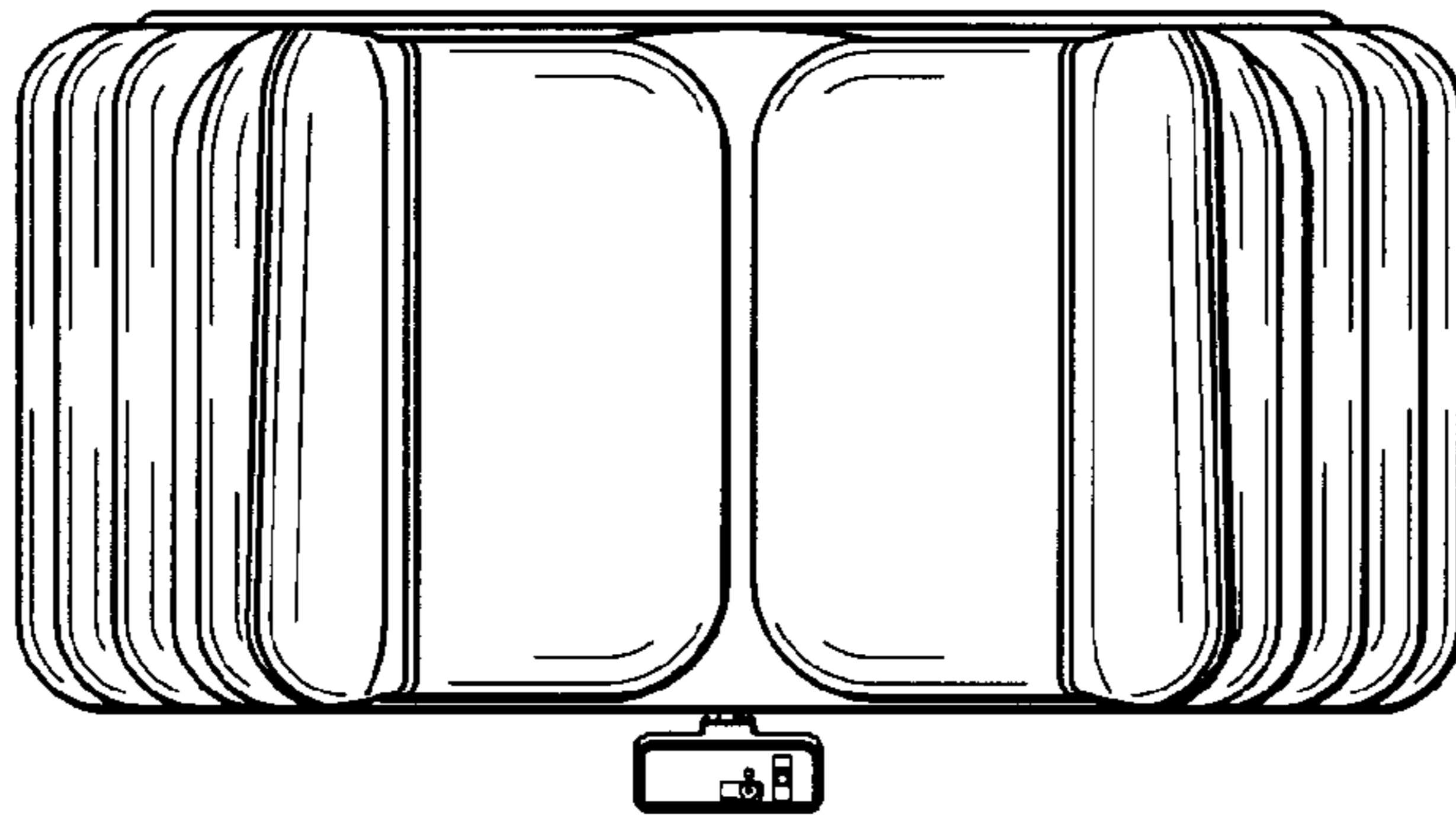


FIG. 10

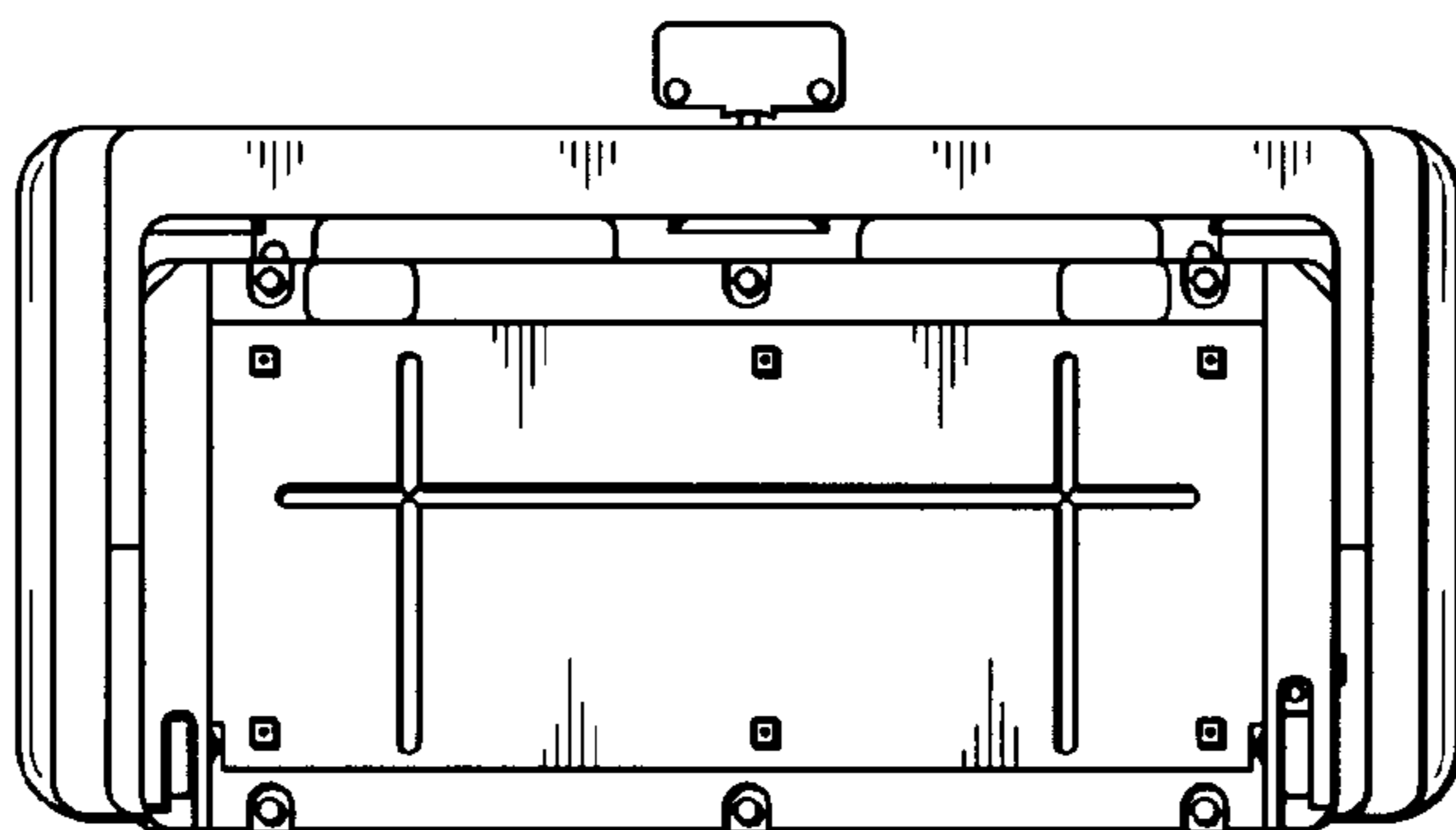


FIG. 11

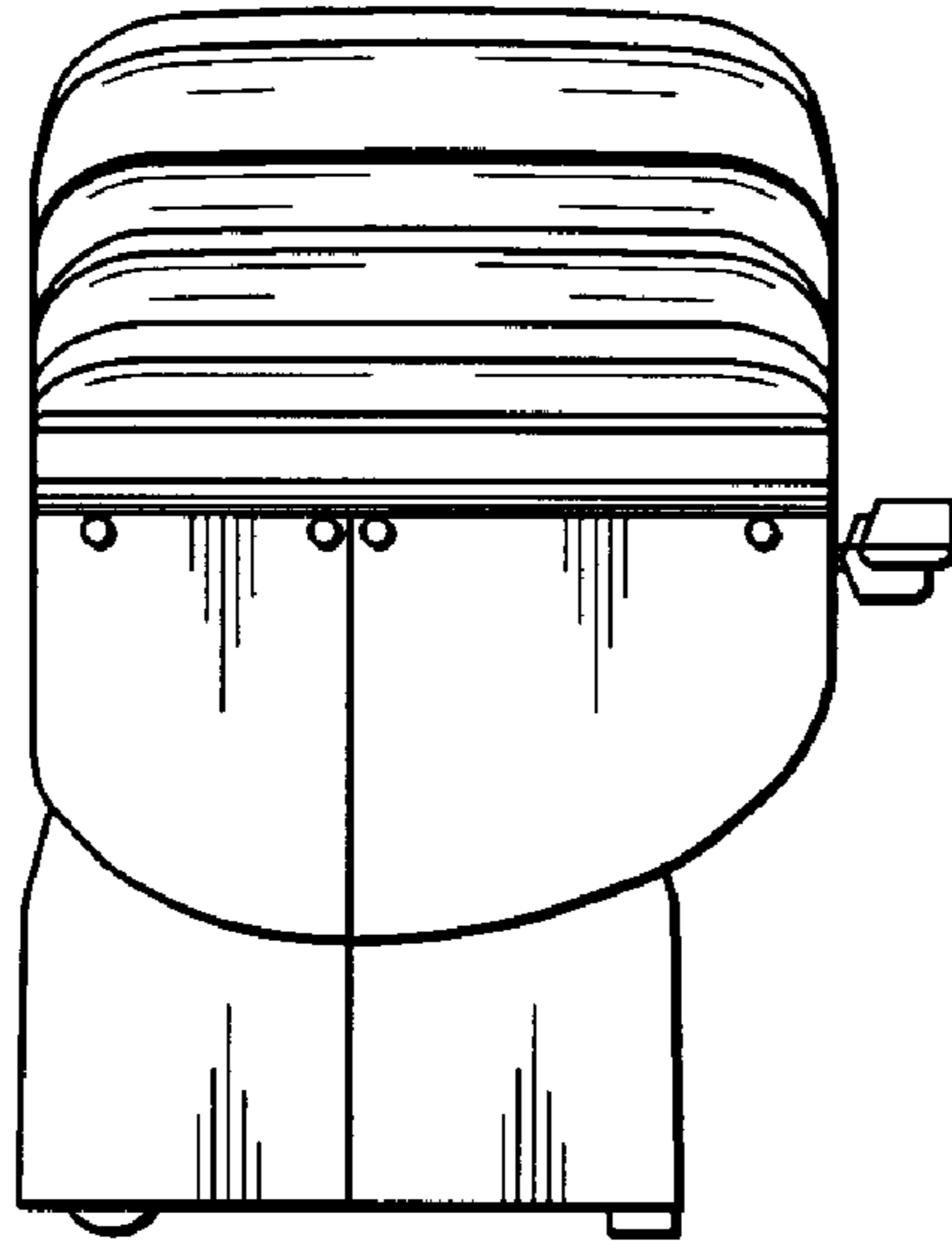


FIG. 12

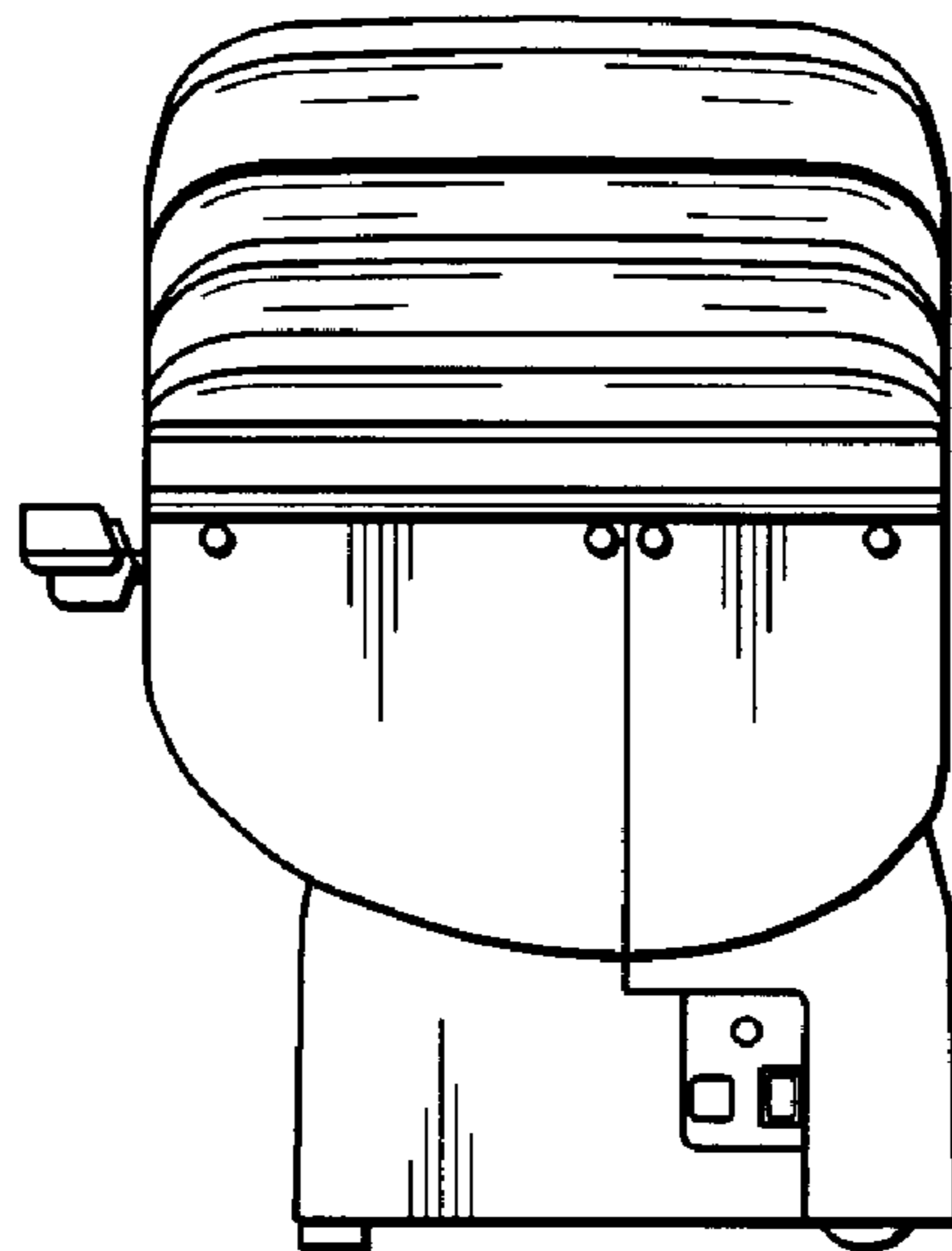


FIG. 13

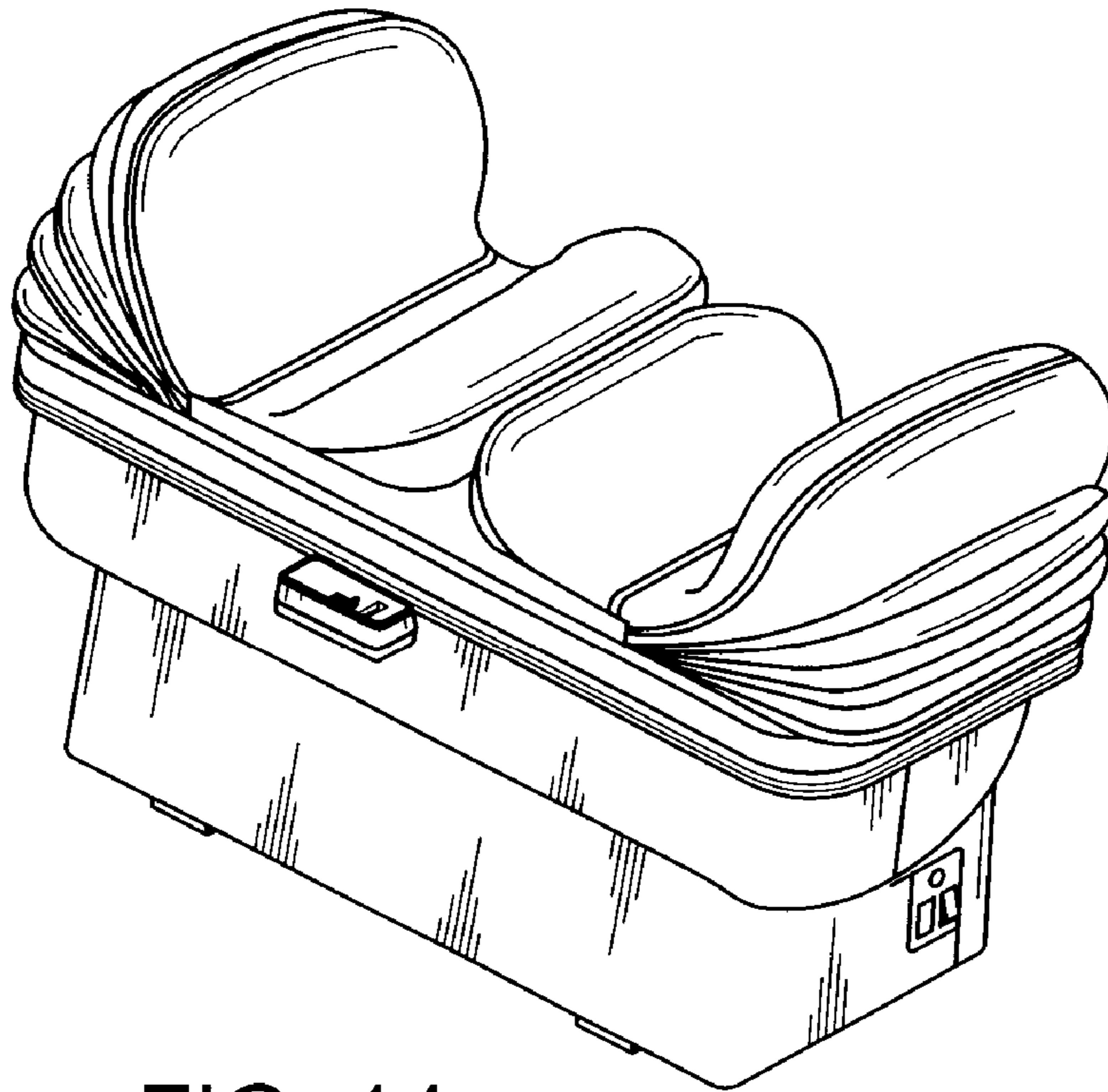


FIG. 14

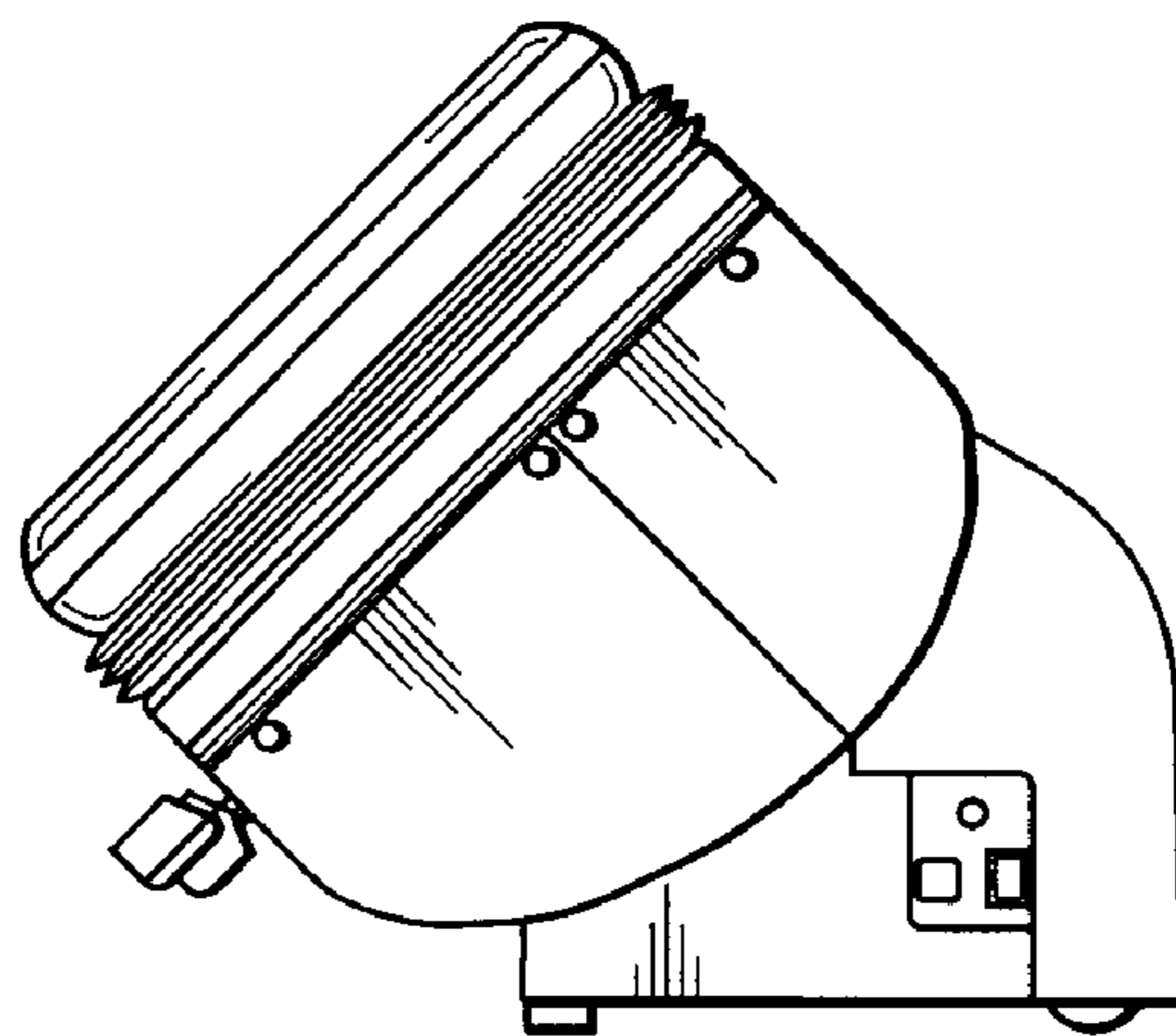


FIG. 15