

US00D527459S

(12) **United States Design Patent**  
**Gireesh**

(10) **Patent No.:** **US D527,459 S**

(45) **Date of Patent:** **\*\* Aug. 29, 2006**

(54) **TILTABLE PATIENT POSITIONING TABLE**

(75) **Inventor:** **Pudipeddi Sapta Gireesh**, Karnataka  
(IN)

(73) **Assignee:** **General Electric Company**,  
Schenectady, NY (US)

(\*\*) **Term:** **14 Years**

(21) **Appl. No.:** **29/206,120**

(22) **Filed:** **May 26, 2004**

(30) **Foreign Application Priority Data**

Nov. 26, 2003 (EP) ..... 102744

(51) **LOC (8) Cl.** ..... **24-01**

(52) **U.S. Cl.** ..... **D24/183**

(58) **Field of Classification Search** ..... D24/183;  
5/600, 607, 611, 612, 621, 622  
See application file for complete search history.

(56) **References Cited**

**U.S. PATENT DOCUMENTS**

- D284,532 S 7/1986 Vogt
- 4,912,754 A 3/1990 Van Steenburg
- 5,048,071 A 9/1991 Van Steenburg
- 5,156,166 A 10/1992 Sebring
- D331,505 S 12/1992 Sylvester
- 5,528,782 A \* 6/1996 Pfeuffer et al. .... 5/611
- 5,572,569 A 11/1996 Benoit et al.

- 5,655,238 A \* 8/1997 Stickle et al. .... 5/621
- 6,038,718 A 3/2000 Pennington et al.
- 6,353,949 B1 3/2002 Falbo
- D462,445 S 9/2002 Barde et al.
- 6,857,147 B1 \* 2/2005 Somasundaram ..... 5/600
- 6,928,676 B1 \* 8/2005 Schwaegerle ..... 5/622

**FOREIGN PATENT DOCUMENTS**

EP 0 268 555 B1 9/1991

\* cited by examiner

*Primary Examiner*—Ian Simmons

*Assistant Examiner*—Daniel Yu

(74) *Attorney, Agent, or Firm*—Armstrong Teasdale LLP

(57) **CLAIM**

I claim the ornamental design for a tiltable patient positioning table, as shown and described.

**DESCRIPTION**

FIG. 1 is a front perspective view the table top in an untitled position.

FIG. 2 is a right side elevational view thereof.

FIG. 3 is a left side elevational view thereof.

FIG. 4 is a rear elevational view thereof.

FIG. 5 is front elevational view thereof.

FIG. 6 is a top plan view thereof.

FIG. 7 is a bottom plan view thereof; and,

FIG. 8 is a front perspective view with the table top in a titled position.

**1 Claim, 7 Drawing Sheets**

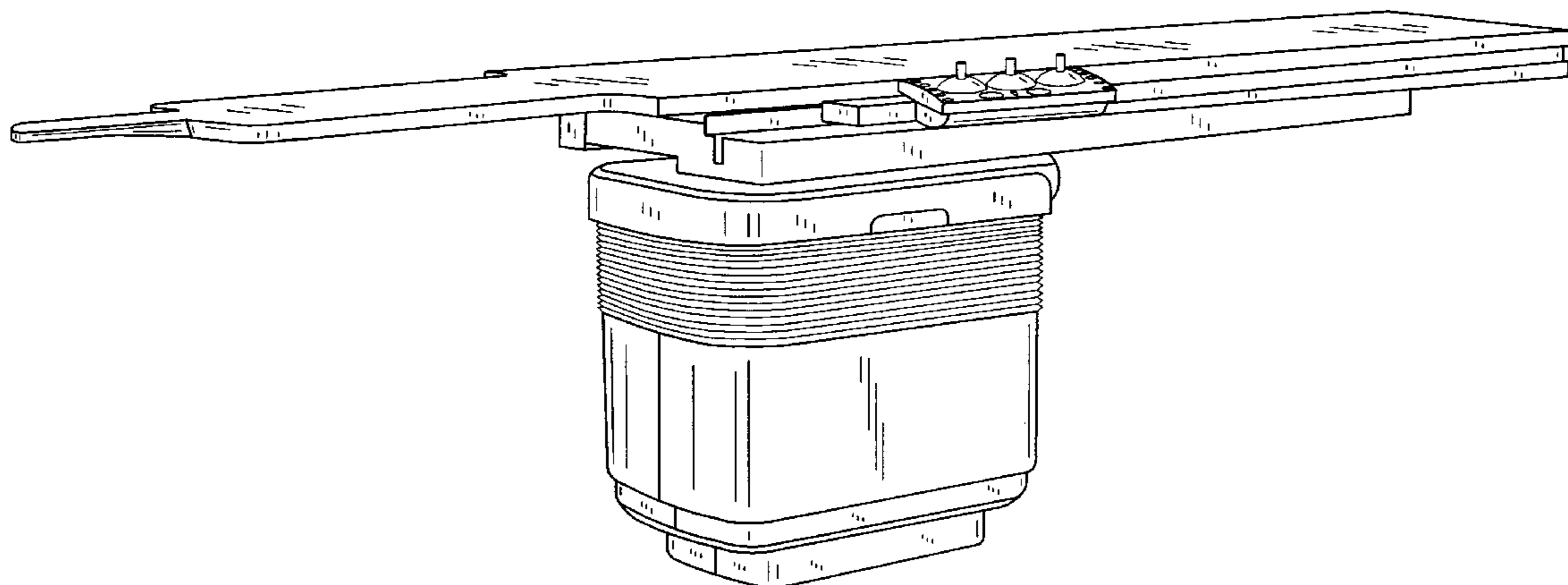


FIG. 1

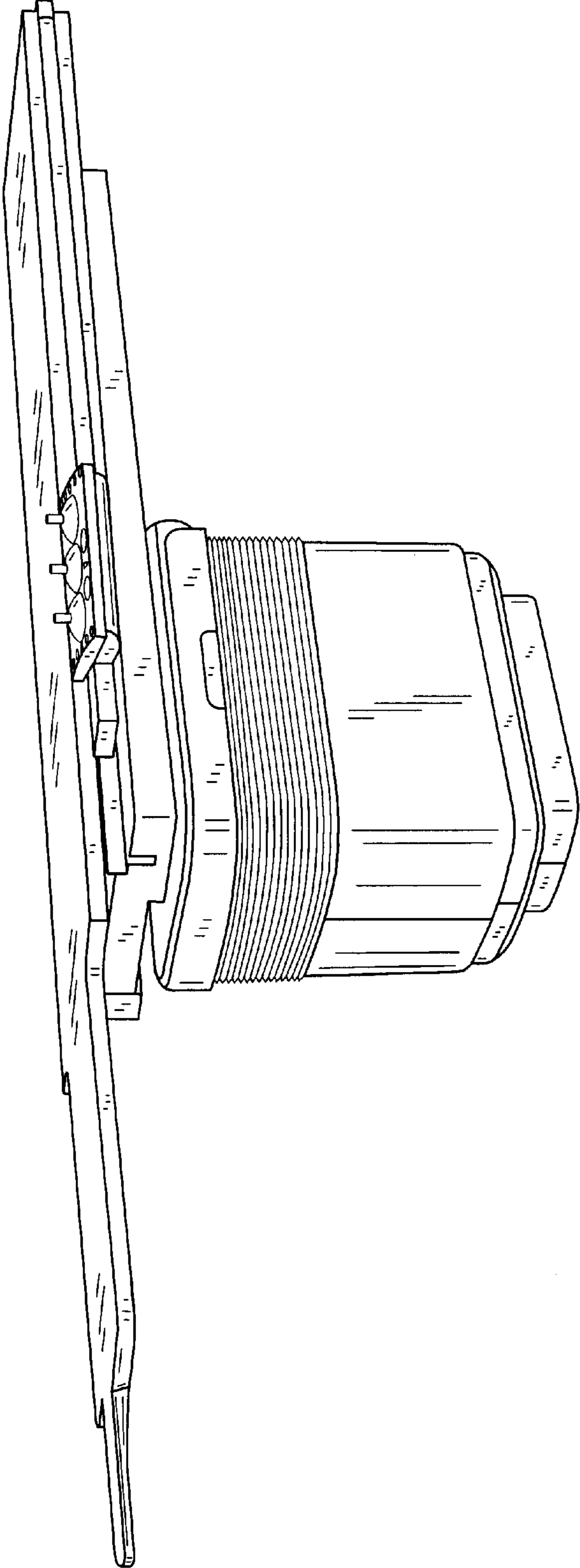


FIG. 2

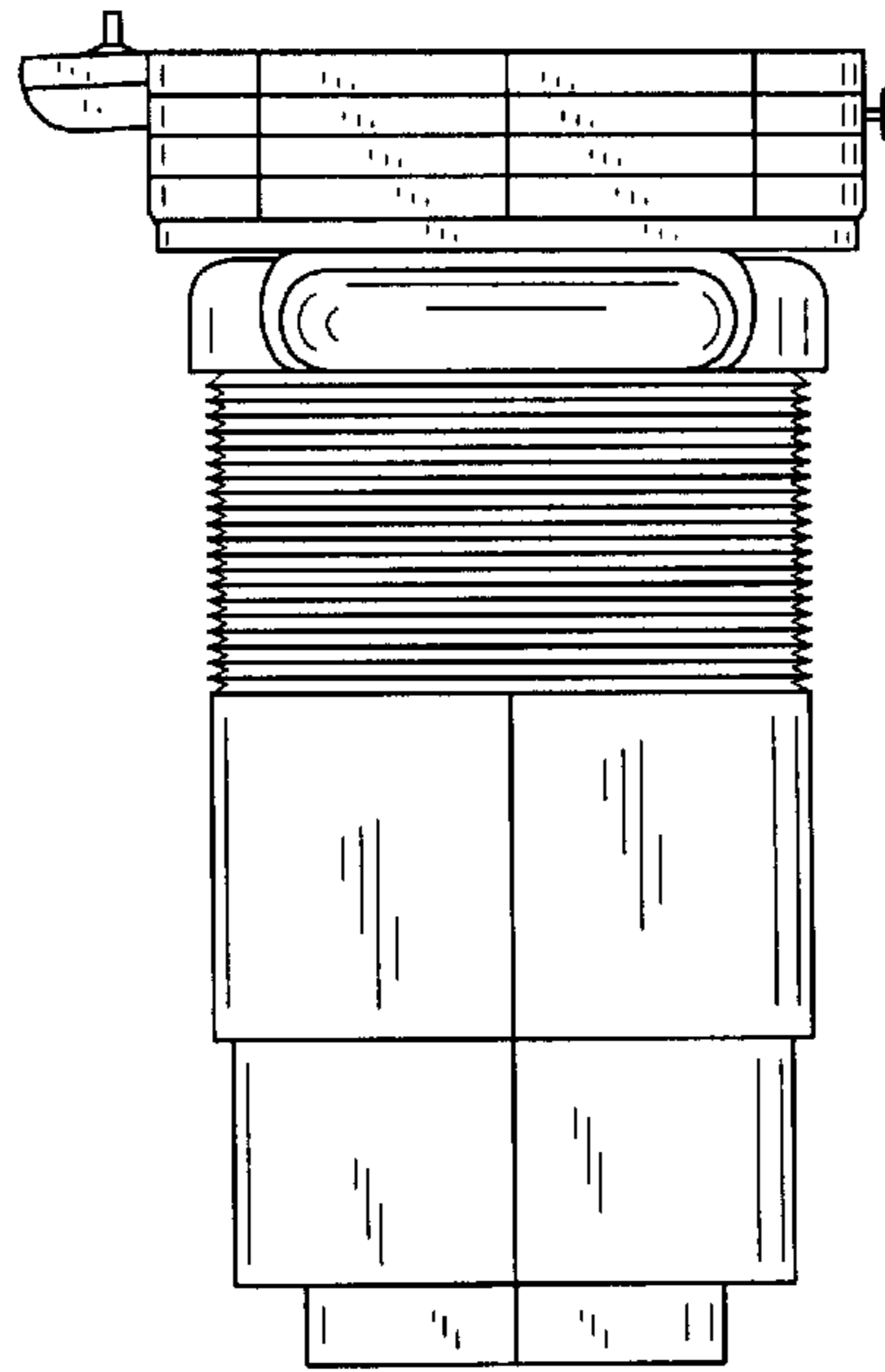


FIG. 3

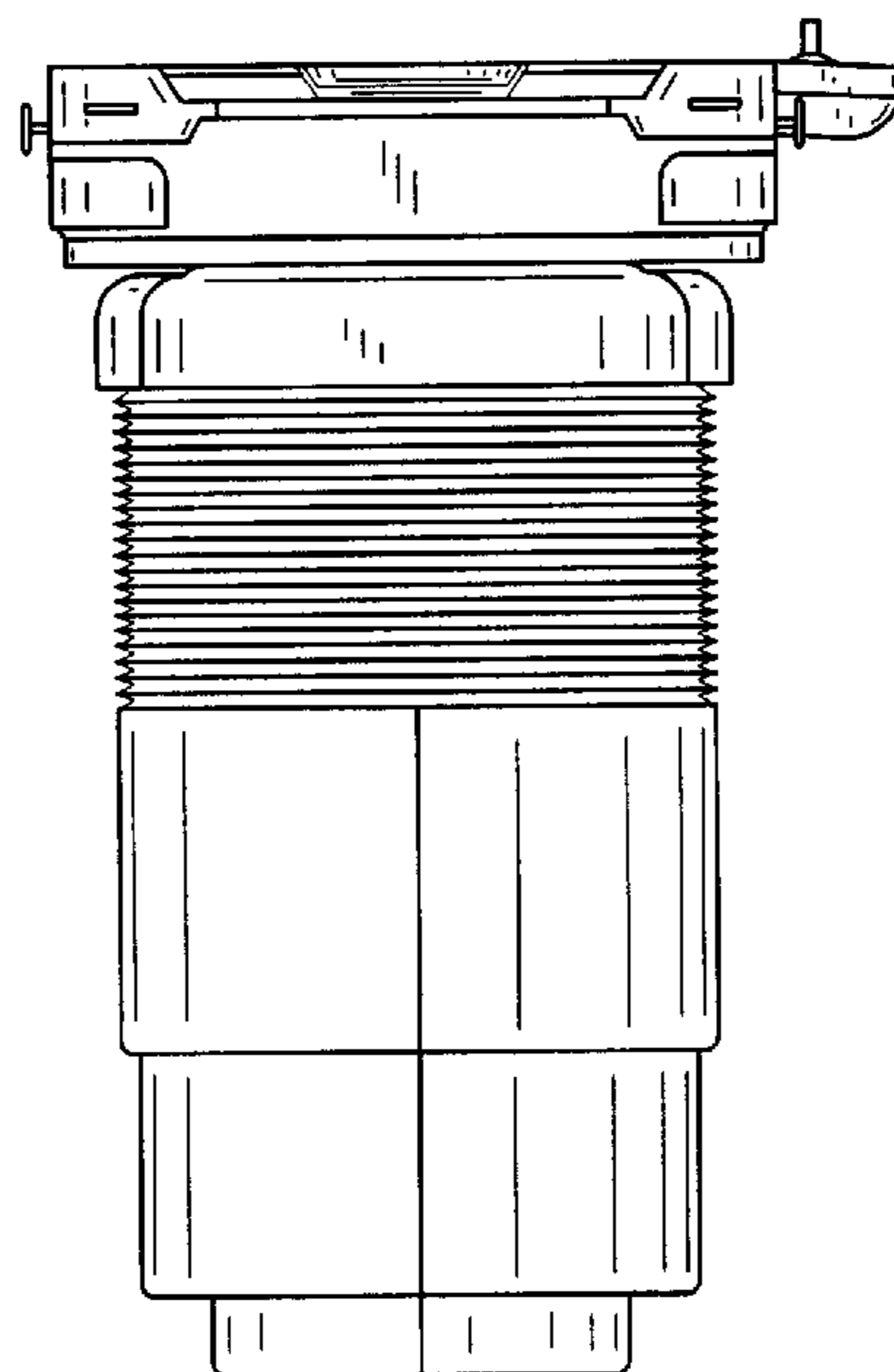


FIG. 4

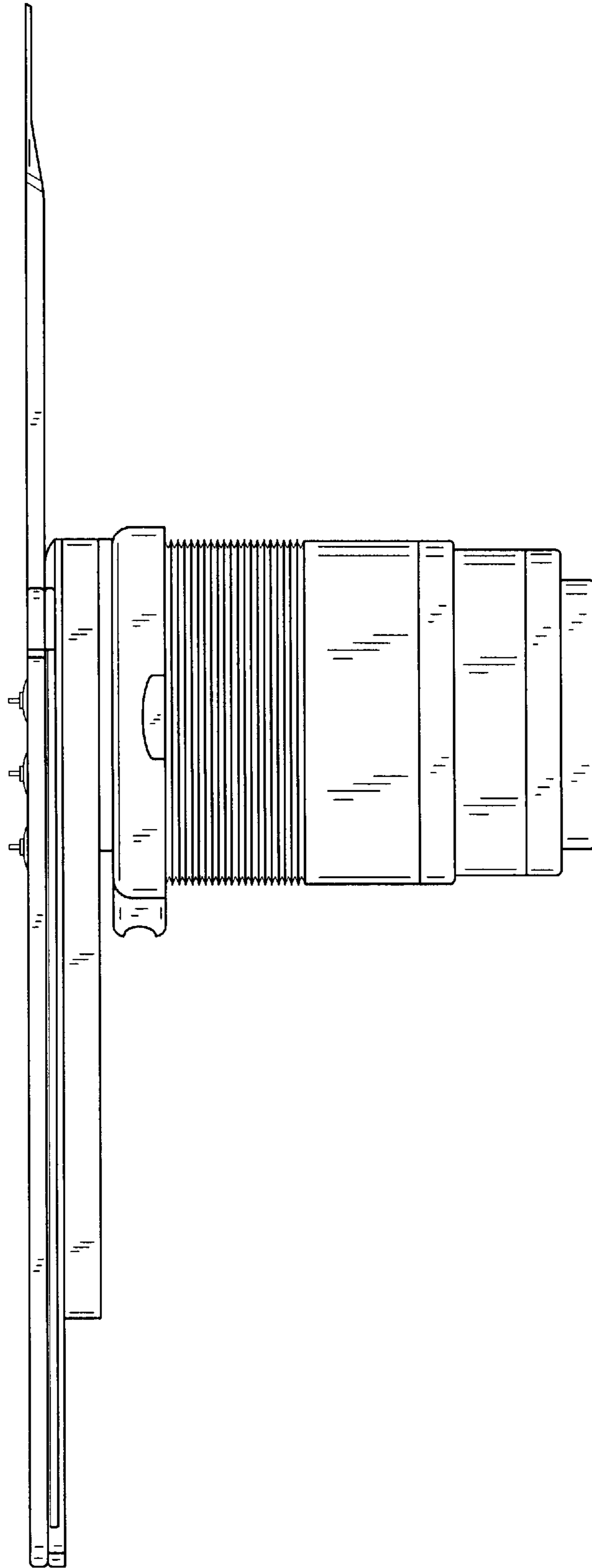


FIG. 5

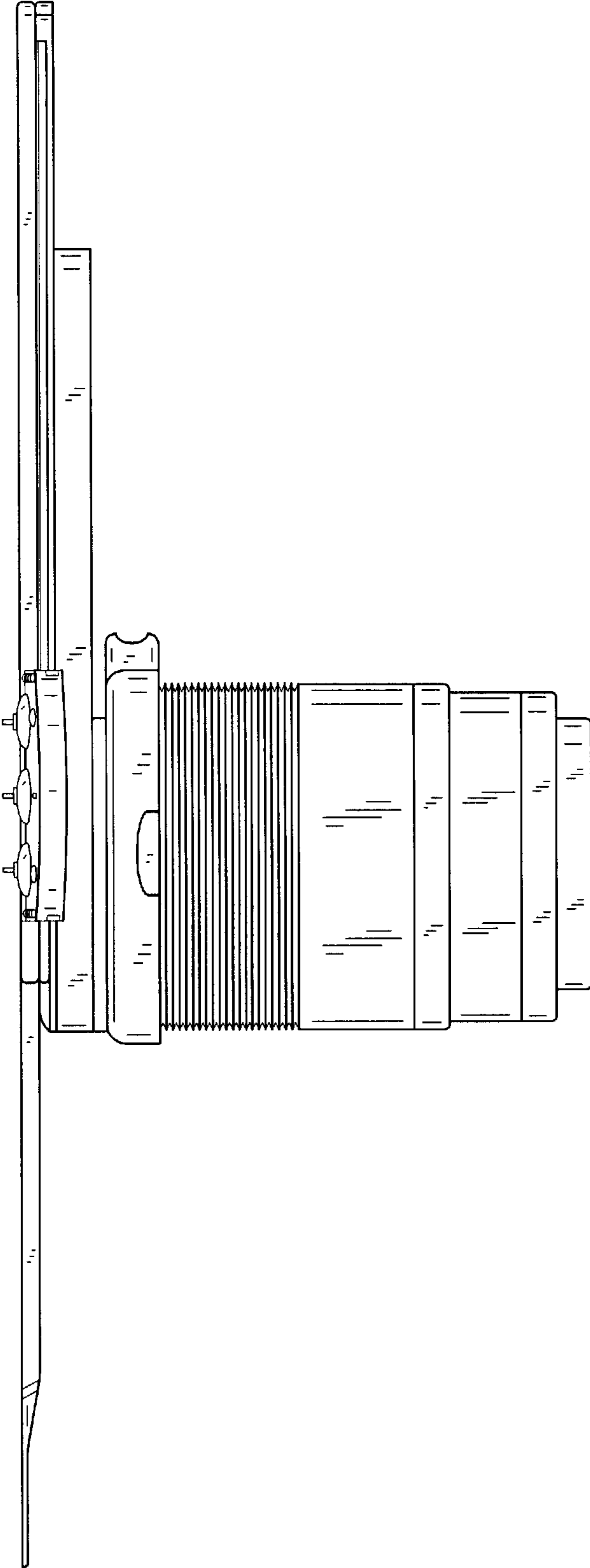


FIG. 6

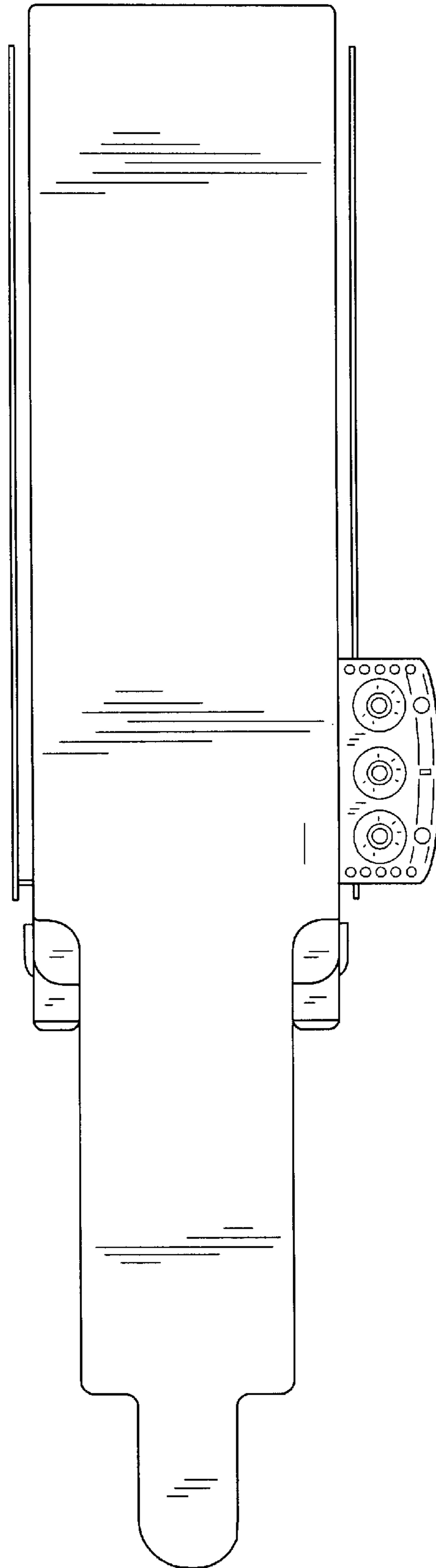


FIG. 7

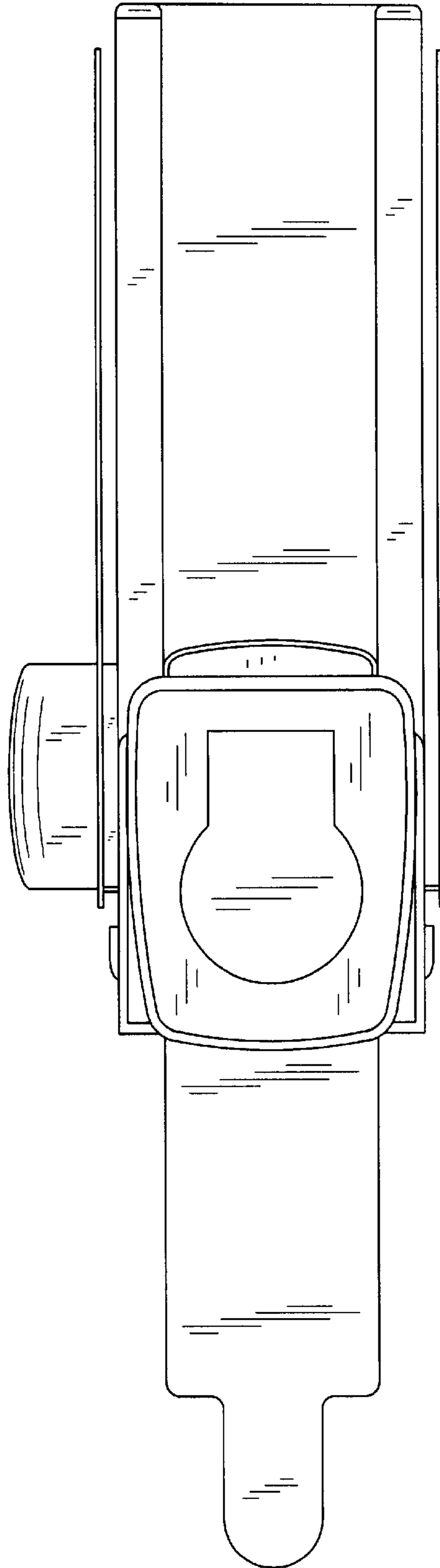


FIG. 8

