

US00D527457S

(12) **United States Design Patent**  
**Dragan et al.**

(10) **Patent No.:** **US D527,457 S**

(45) **Date of Patent:** **\*\* Aug. 29, 2006**

(54) **DENTAL MATERIAL PLACEMENT AND APPLICATOR DEVICE**

(75) Inventors: **William B. Dragan**, Easton, CT (US);  
**John J. Discko, Jr.**, Trumbull, CT (US)

(73) Assignee: **Centrix, Inc.**, Shelton, CT (US)

(\*\*) Term: **14 Years**

(21) Appl. No.: **29/221,078**

(22) Filed: **Jan. 11, 2005**

**Related U.S. Application Data**

(62) Division of application No. 29/207,937, filed on Jun. 21, 2004, now Pat. No. Des. 504,948, which is a division of application No. 29/186,467, filed on Jul. 16, 2003, now Pat. No. Des. 496,999, which is a division of application No. 29/159,084, filed on Apr. 15, 2002, now Pat. No. Des. 480,479, which is a division of application No. 29/125,214, filed on Jun. 20, 2000, now Pat. No. Des. 460,822, which is a division of application No. 29/091,148, filed on Jul. 23, 1998, now Pat. No. Des. 435,292.

(51) **LOC (8) Cl.** ..... **24-02**

(52) **U.S. Cl.** ..... **D24/152; D24/112; D24/119**

(58) **Field of Classification Search** ..... D24/112,  
D24/152, 119, 176; 433/90

See application file for complete search history.

(56) **References Cited**

**U.S. PATENT DOCUMENTS**

D224,655 S	8/1972	Dragan	24/112
3,777,949 A	12/1973	Chiquiari-Arias	401/132
4,391,590 A	7/1983	Dougherty	
4,578,055 A	3/1986	Fischer	
4,619,613 A	10/1986	Dragan	433/90
D292,825 S	11/1987	Dragan	D24/112
4,758,158 A	7/1988	Pierce et al.	
4,963,093 A	10/1990	Dragan	
4,969,816 A	11/1990	Drumm	
4,997,371 A	3/1991	Fischer	
5,001,803 A	3/1991	Discko, Jr.	
D320,852 S	10/1991	Drumm	24/114

5,052,927 A	10/1991	Discko, Jr.	
5,150,495 A	9/1992	Discko, Jr.	
5,246,371 A	9/1993	Fischer	
5,286,257 A	2/1994	Fischer	
5,324,273 A	6/1994	Discko, Jr.	
D353,673 S	12/1994	Discko et al.	D24/152
D359,119 S	6/1995	Dragan et al.	
5,460,523 A	* 10/1995	Schulman	433/90
D377,216 S	1/1997	Mark	
D385,964 S	11/1997	Mark	
5,707,234 A	1/1998	Fischer	
5,816,804 A	10/1998	Fischer	
5,819,921 A	10/1998	Schmid	
D403,768 S	1/1999	Mark et al.	
6,083,002 A	7/2000	Martin et al.	
6,202,897 B1	3/2001	Martin et al.	
D456,078 S	4/2002	Peterson et al.	D24/152
6,382,972 B1	5/2002	Fischer et al.	

**FOREIGN PATENT DOCUMENTS**

DE 39 37 030 C2 11/1995

\* cited by examiner

*Primary Examiner*—Ian Simmons

*Assistant Examiner*—Christopher Lee

(74) *Attorney, Agent, or Firm*—Fattibene & Fattibene; Paul A. Fattibene; Arthur T. Fattibene

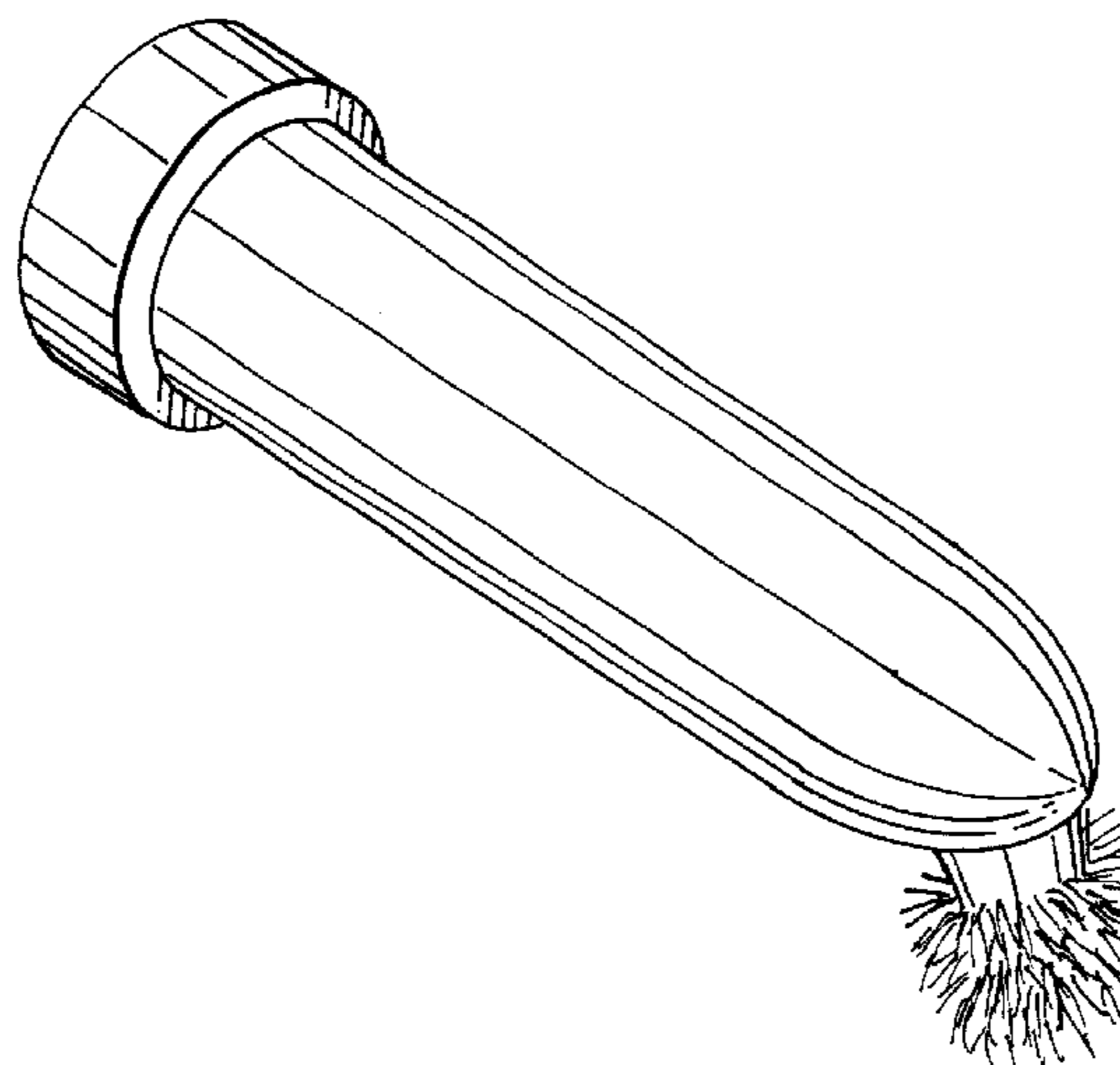
(57) **CLAIM**

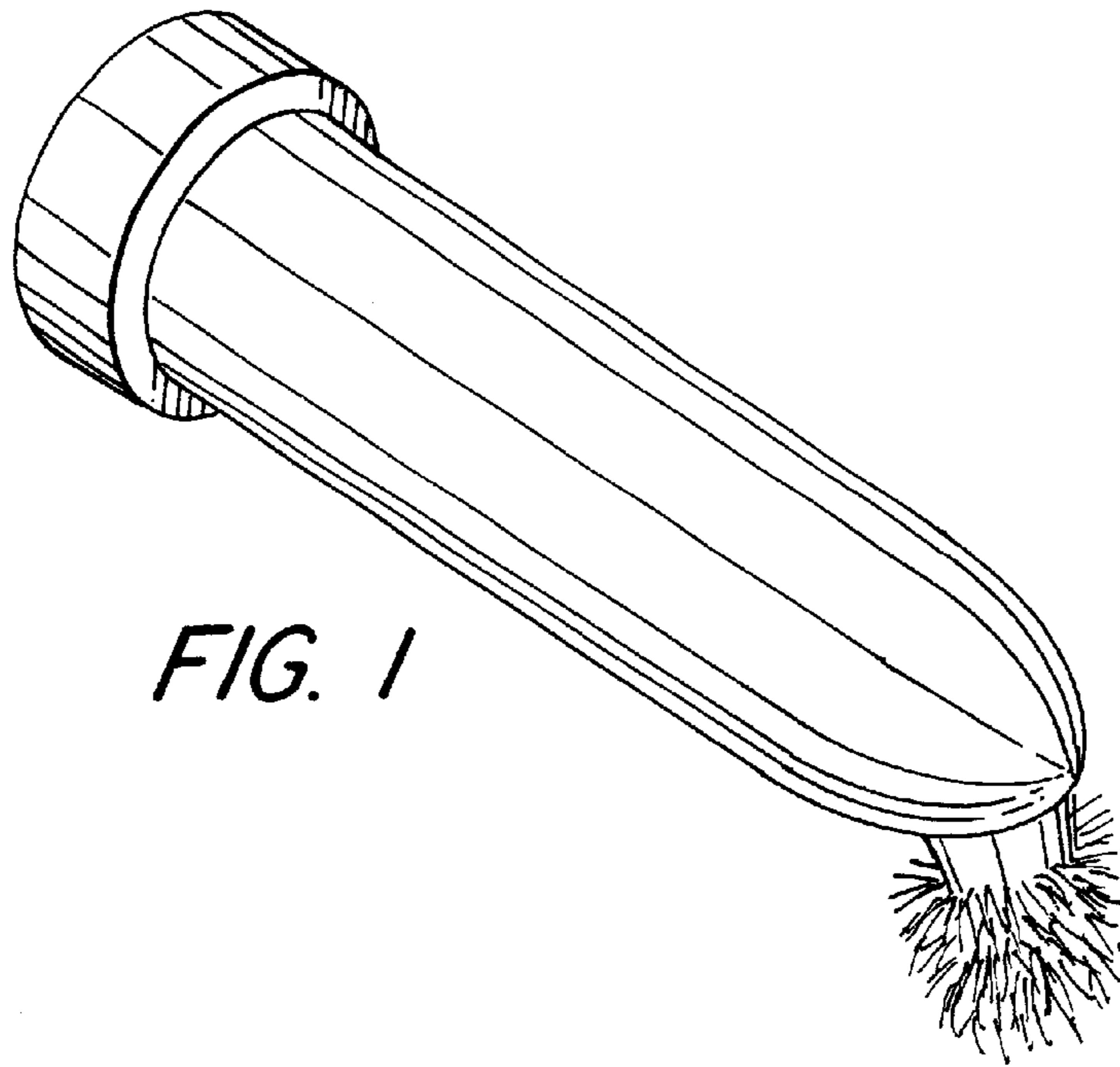
The ornamental device for a dental material placement and applicator device, as shown and described.

**DESCRIPTION**

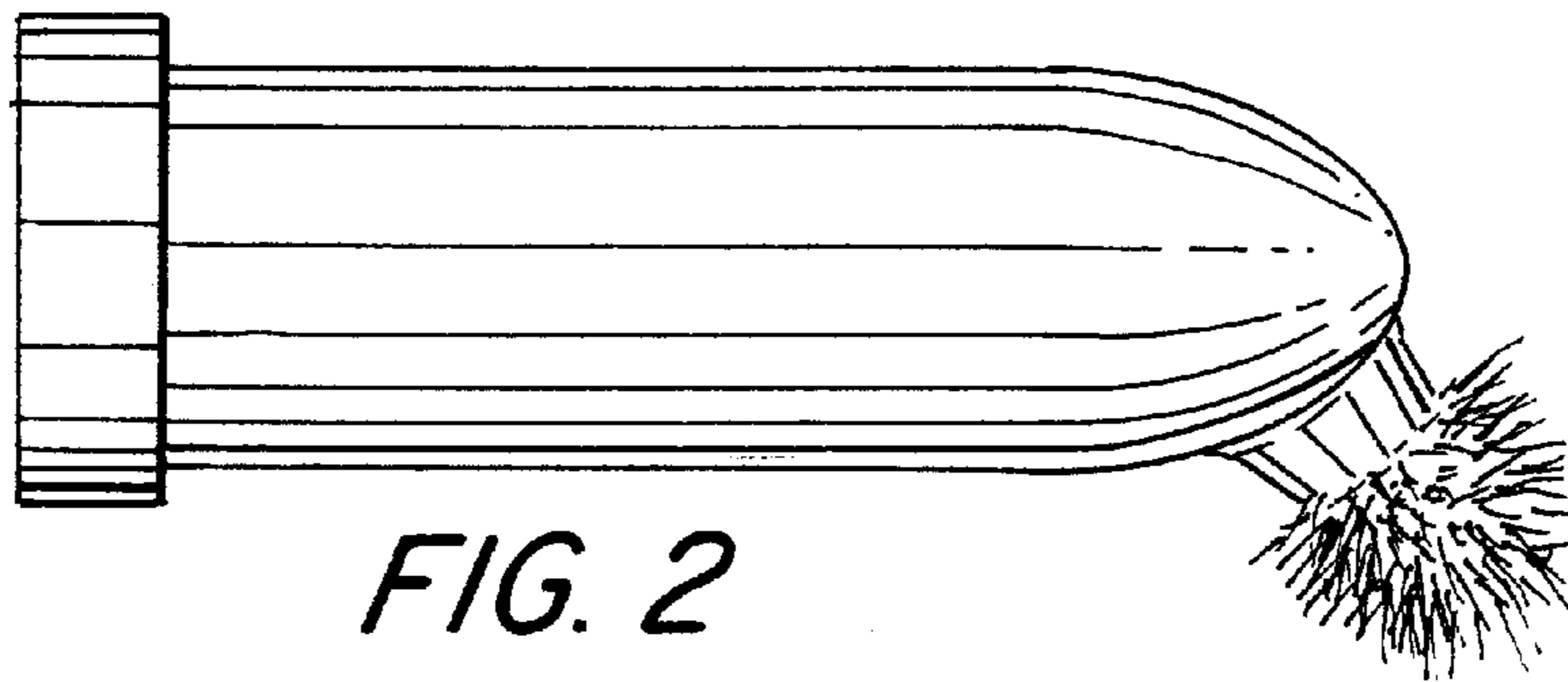
FIG. 1 is a perspective view of a dental material placement and applicator device showing our new design;  
FIG. 2 is a side elevation view thereof, the other side being the same;  
FIG. 3 is a top view thereof;  
FIG. 4 is a bottom view thereof;  
FIG. 5 is a front end view thereof; and,  
FIG. 6 is a rear end view thereof.

**1 Claim, 1 Drawing Sheet**

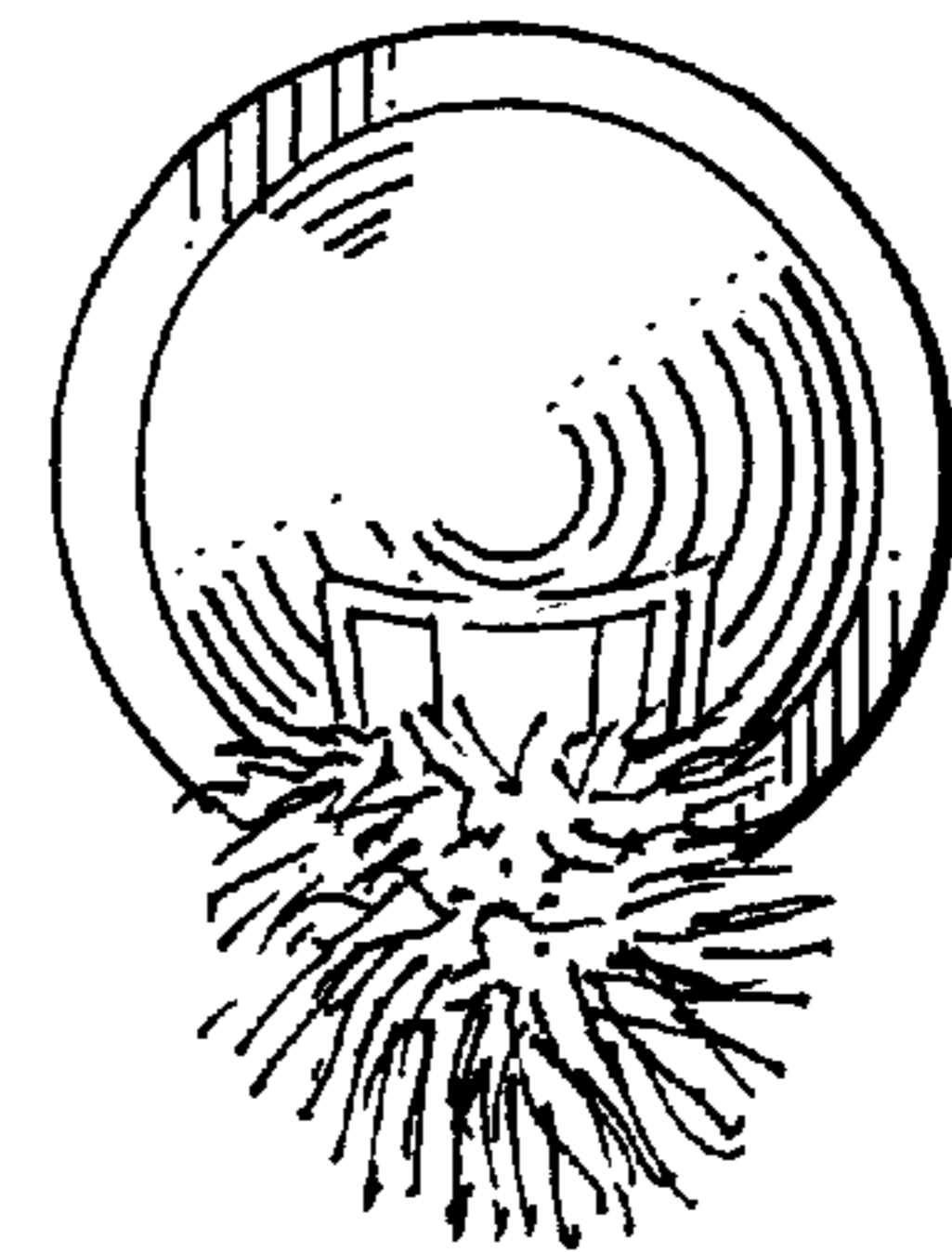




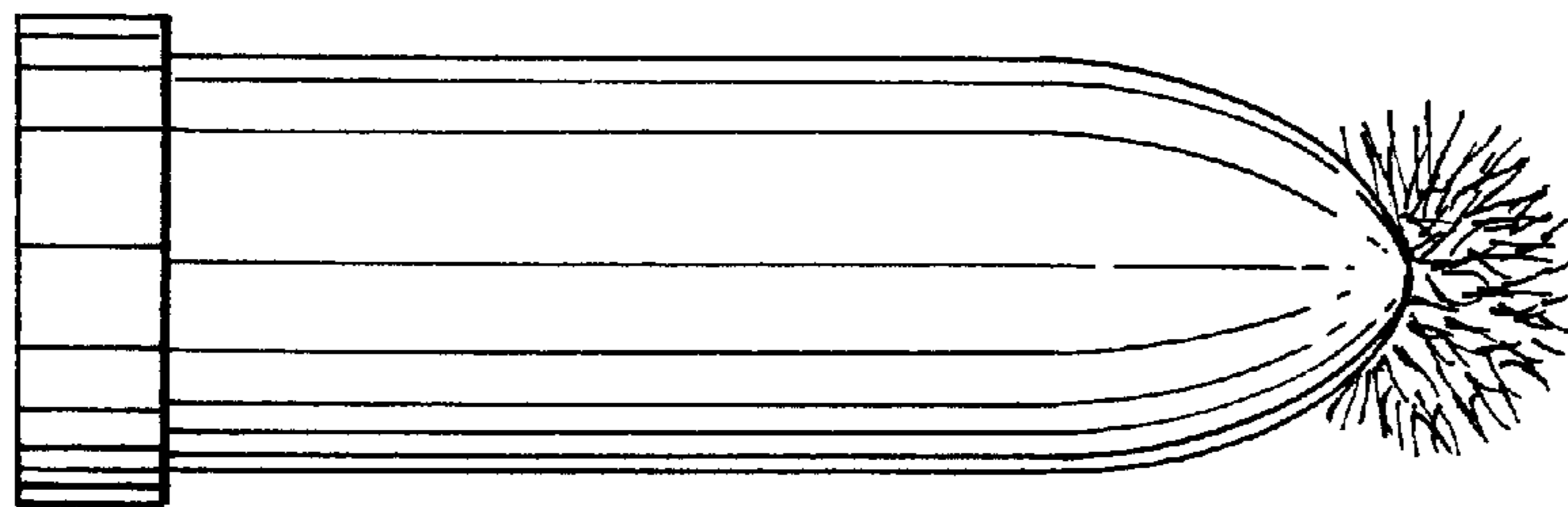
*FIG. 1*



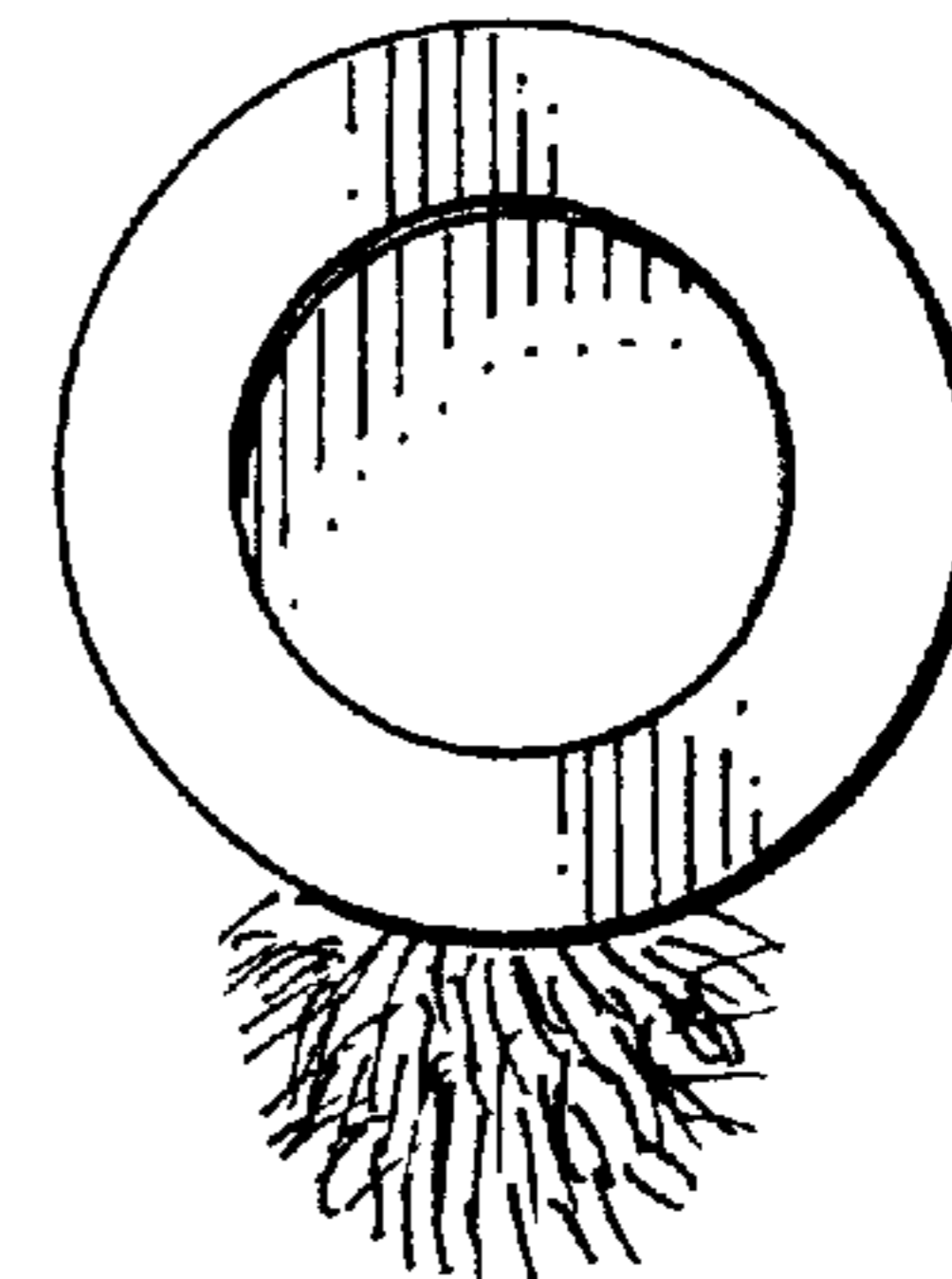
*FIG. 2*



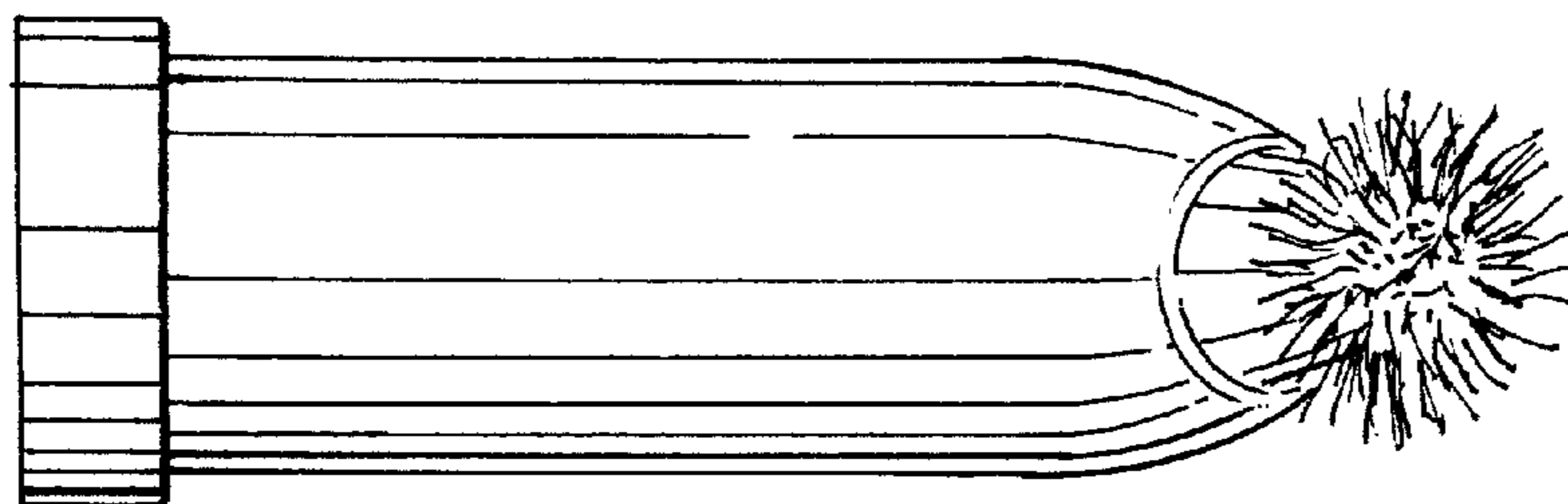
*FIG. 5*



*FIG. 3*



*FIG. 6*



*FIG. 4*