

US00D527454S

(12) **United States Design Patent**
Hidalgo

(10) **Patent No.:** **US D527,454 S**

(45) **Date of Patent:** **** Aug. 29, 2006**

(54) **CEILING FAN BLADE IRON**

(75) Inventor: **Rolando Hidalgo**, Orange, CA (US)

(73) Assignee: **Minka Lighting, Inc.**, Corona, CA (US)

(**) Term: **14 Years**

(21) Appl. No.: **29/235,909**

(22) Filed: **Aug. 8, 2005**

(51) **LOC (8) Cl.** **23-04**

(52) **U.S. Cl.** **D23/411**

(58) **Field of Classification Search** D23/411,
D23/413, 377, 379, 385; 416/5, 210 R
See application file for complete search history.

(56) **References Cited**

U.S. PATENT DOCUMENTS

D328,951 S	*	8/1992	Scofield et al.	D23/411
D362,907 S	*	10/1995	DiPasquale	D23/411
D503,795 S	*	4/2005	Tai	D23/413
D510,136 S	*	9/2005	Hidalgo	D23/411
D514,216 S	*	1/2006	Hidalgo	D23/377

OTHER PUBLICATIONS

Fanimation Internet Catalog; Belize; Model # FP2920AR; printed from www.fanshack.com on Apr. 27, 2005.

Casablanca Internet Catalog; Nouvelle; Model # 96U52T; printed from www.hansenwholesale.com on Apr. 27, 2005.

Hunter Internet Catalog; Pienza; Model # 28871; printed from www.fanshack.com on Jul. 7, 2005.

Minka Lighting, Inc.; MinkaAire 2005 catalog; Jan. 2005; p. 16; Minka Lighting, Inc.; U.S.A.

* cited by examiner

Primary Examiner—Lisa Lichtenstein

(74) *Attorney, Agent, or Firm*—Baker & McKenzie LLP

(57) **CLAIM**

The ornamental design for a ceiling fan blade iron, as shown and described.

DESCRIPTION

FIG. 1 is a perspective view from below of a ceiling fan blade iron in accordance with my design;

FIG. 2 is an enlarged perspective view from below of a ceiling fan blade iron in accordance with my design;

FIG. 3 is an enlarged top plan view of the ceiling fan blade iron in accordance with my design;

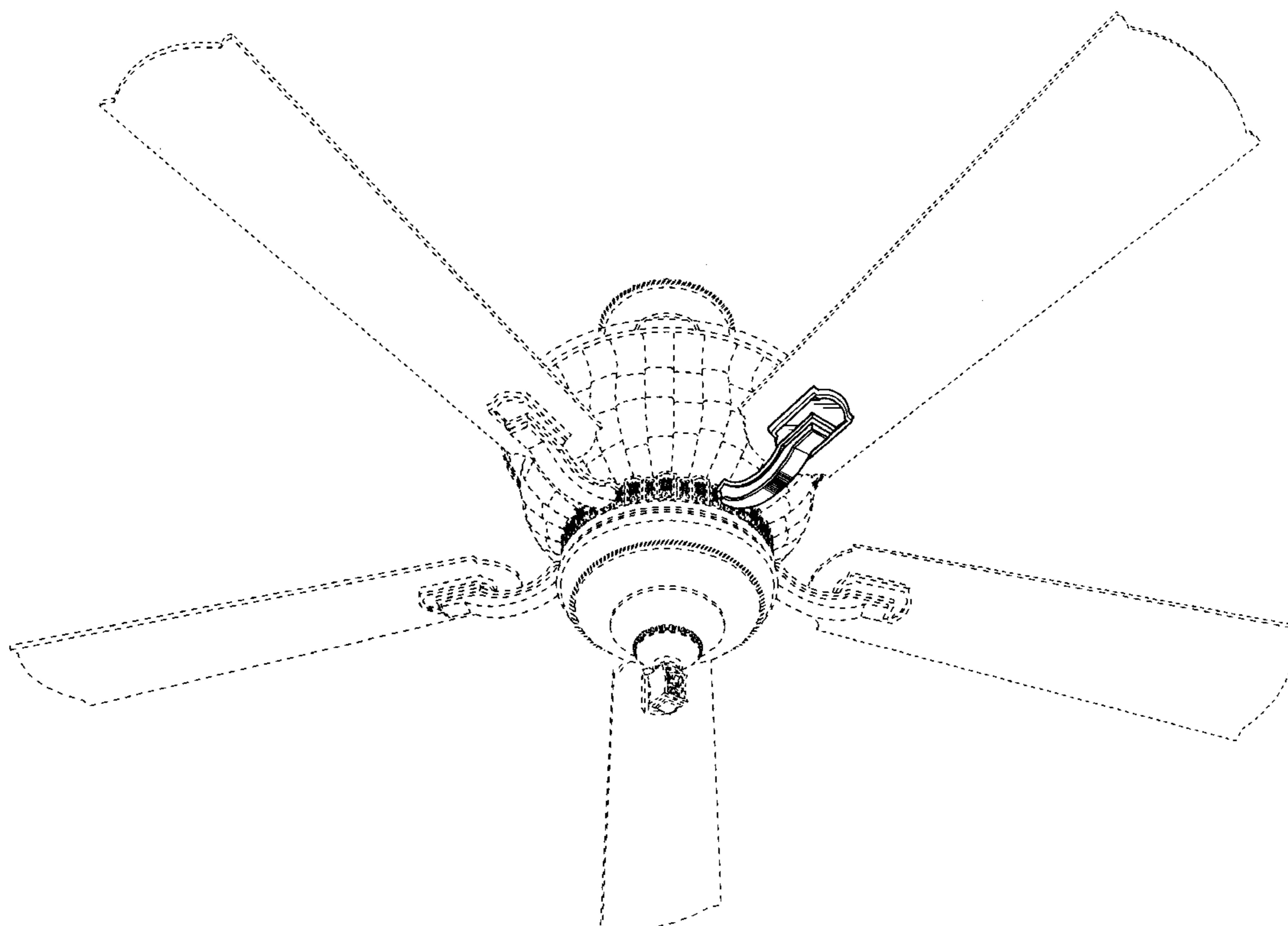
FIG. 4 is an enlarged side elevation view of the ceiling fan blade iron in accordance with my design;

FIG. 5 is an enlarged opposite side elevation view of the ceiling fan blade iron in accordance with my design; and,

FIG. 6 is an enlarged front elevation view of the ceiling fan blade iron in accordance with my design.

The broken lines showing environmental structure are for illustrative purposes and form no part of the claimed invention.

1 Claim, 2 Drawing Sheets



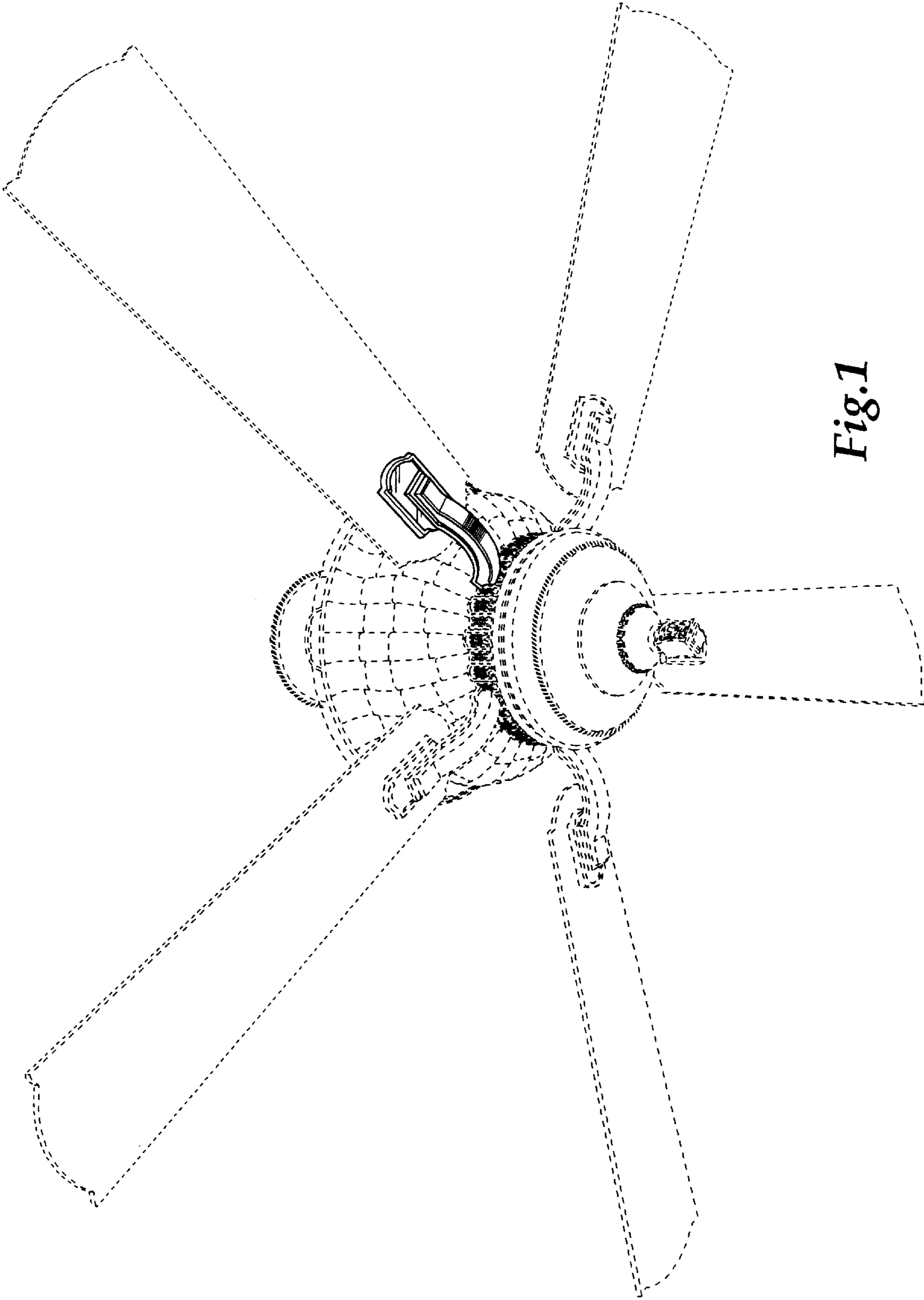


Fig. 1

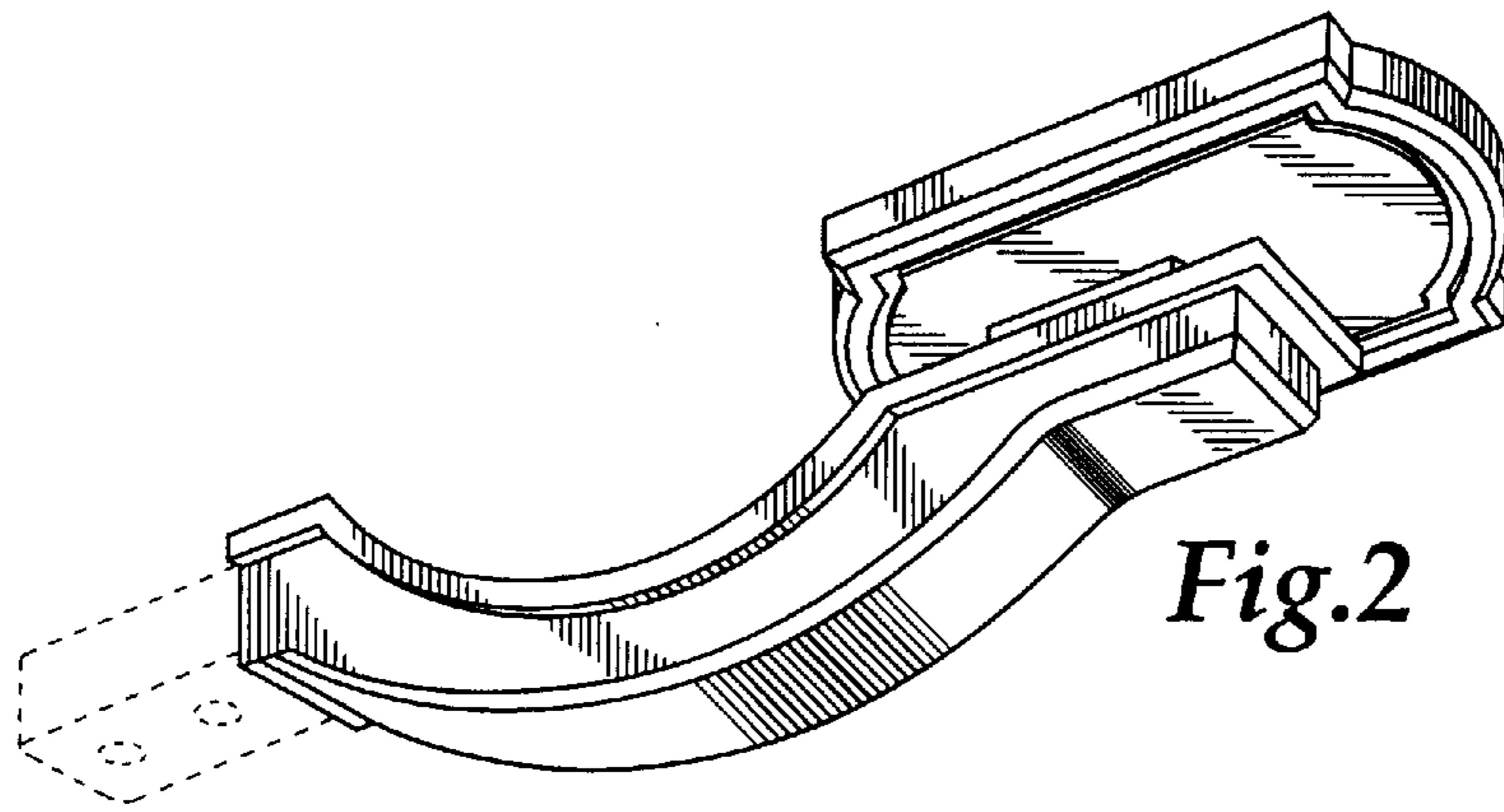


Fig.2

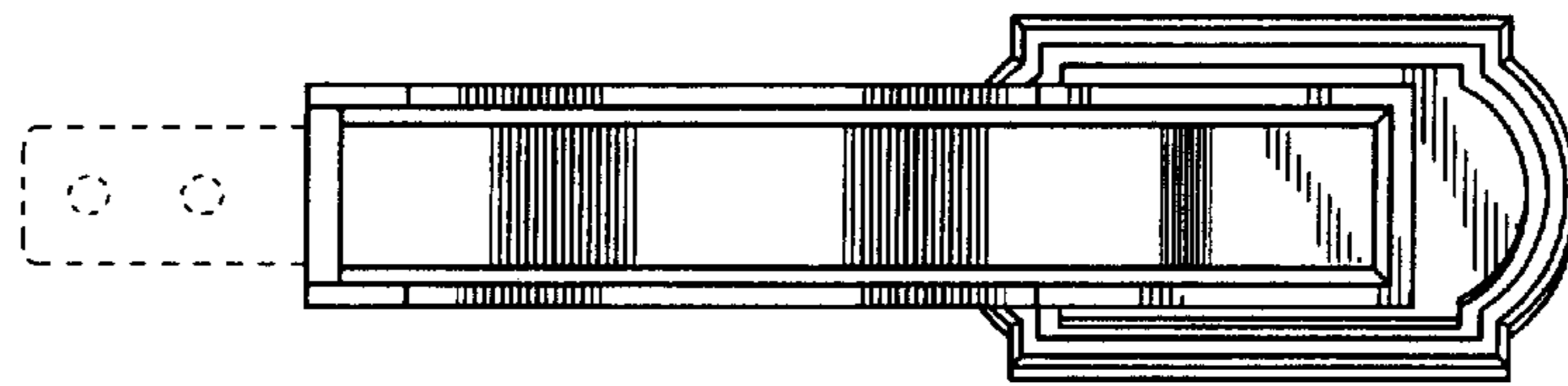


Fig.3

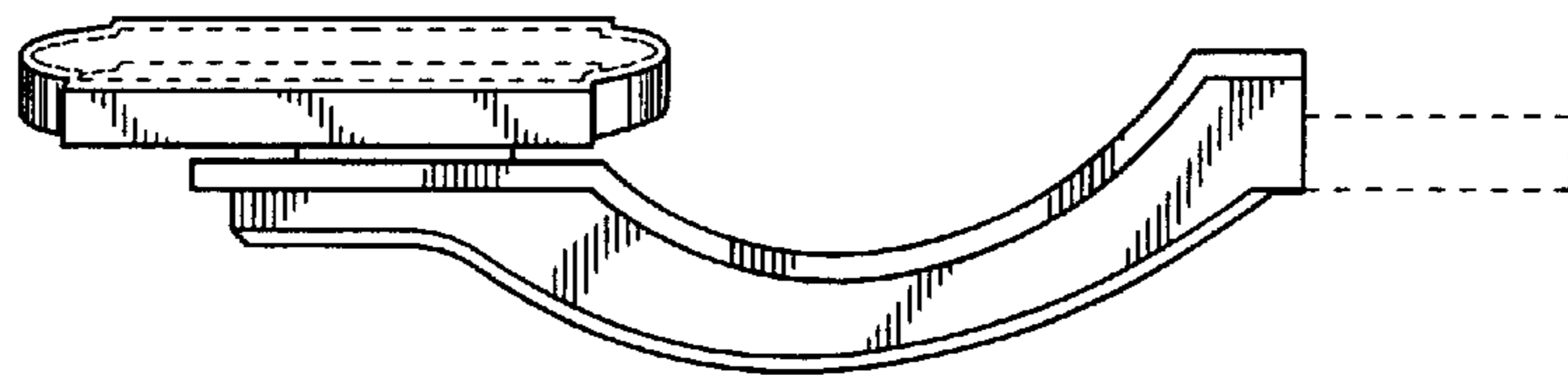


Fig.4

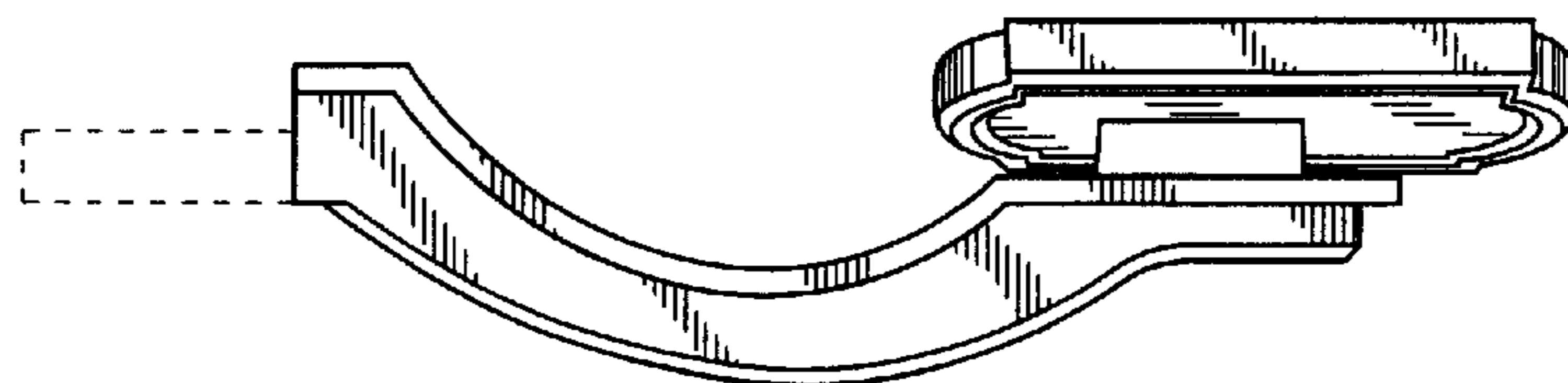


Fig.5

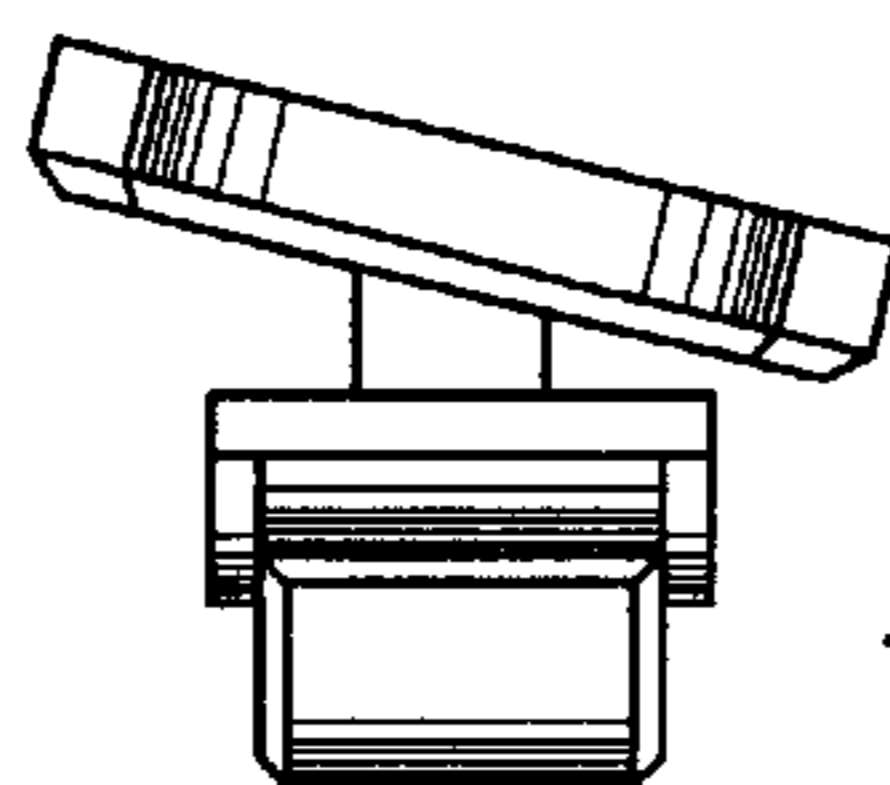


Fig.6