



US00D527453S

(12) **United States Design Patent**  
**Hidalgo**

(10) **Patent No.:** **US D527,453 S**

(45) **Date of Patent:** **\*\* Aug. 29, 2006**

(54) **CEILING FAN HOUSING**

(75) Inventor: **Rolando Hidalgo**, Orange, CA (US)

(73) Assignee: **Minka Lighting, Inc.**, Corona, CA (US)

(\*\*) Term: **14 Years**

(21) Appl. No.: **29/214,289**

(22) Filed: **Sep. 30, 2004**

(51) **LOC (8) Cl.** ..... **23-04**

(52) **U.S. Cl.** ..... **D23/411**

(58) **Field of Classification Search** ..... D23/377,  
D23/379, 385, 411; 416/5; 392/364

See application file for complete search history.

(56) **References Cited**

**U.S. PATENT DOCUMENTS**

5,292,228 A *	3/1994	Dye	.....	416/5
D410,100 S *	5/1999	Jaspers-Fayer	.....	D26/59
D470,931 S *	2/2003	Hidalgo	.....	D23/377
D504,502 S *	4/2005	Young	.....	D23/377

**OTHER PUBLICATIONS**

The Art of Air Management—Minka Aire 2004; Minka Lighting, Inc., U.S.A.; Jan. 2004; p. 33.

Casablanca Internet Catalog; Bel Air Halo; Model No. 38H32; printed from www.celingfan.com; Aug. 30, 2004; 1 page.

Emerson Internet Catalog; Raphael; Model No. CF2600PW; printed from www.ceilingfan.com; Aug. 30, 2004; 1 page.

Hunter Internet Catalog; Charmaine; Model No. 28191; printed from www.ceilingfan.com; Aug. 30, 2004; 1 page. Minka-Lavery; Minka-Lavery 2005 Catalog; Jan. 2005; pp. 121–124; Minka Lighting, Inc.; U.S.A.

\* cited by examiner

*Primary Examiner*—Lisa Lichtenstein

(74) *Attorney, Agent, or Firm*—Baker & McKenzie LLP

(57) **CLAIM**

The ornamental design for a ceiling fan housing, as shown and described.

**DESCRIPTION**

FIG. 1 is a perspective view from below of a ceiling fan housing in accordance with my design, including the environment thereof;

FIG. 2 is a greatly enlarged enlarged perspective view from below of the ceiling fan housing in accordance with my design, including the environment thereof;

FIG. 3 is a greatly enlarged enlarged perspective view from above of the ceiling fan housing in accordance with my design, including the environment thereof;

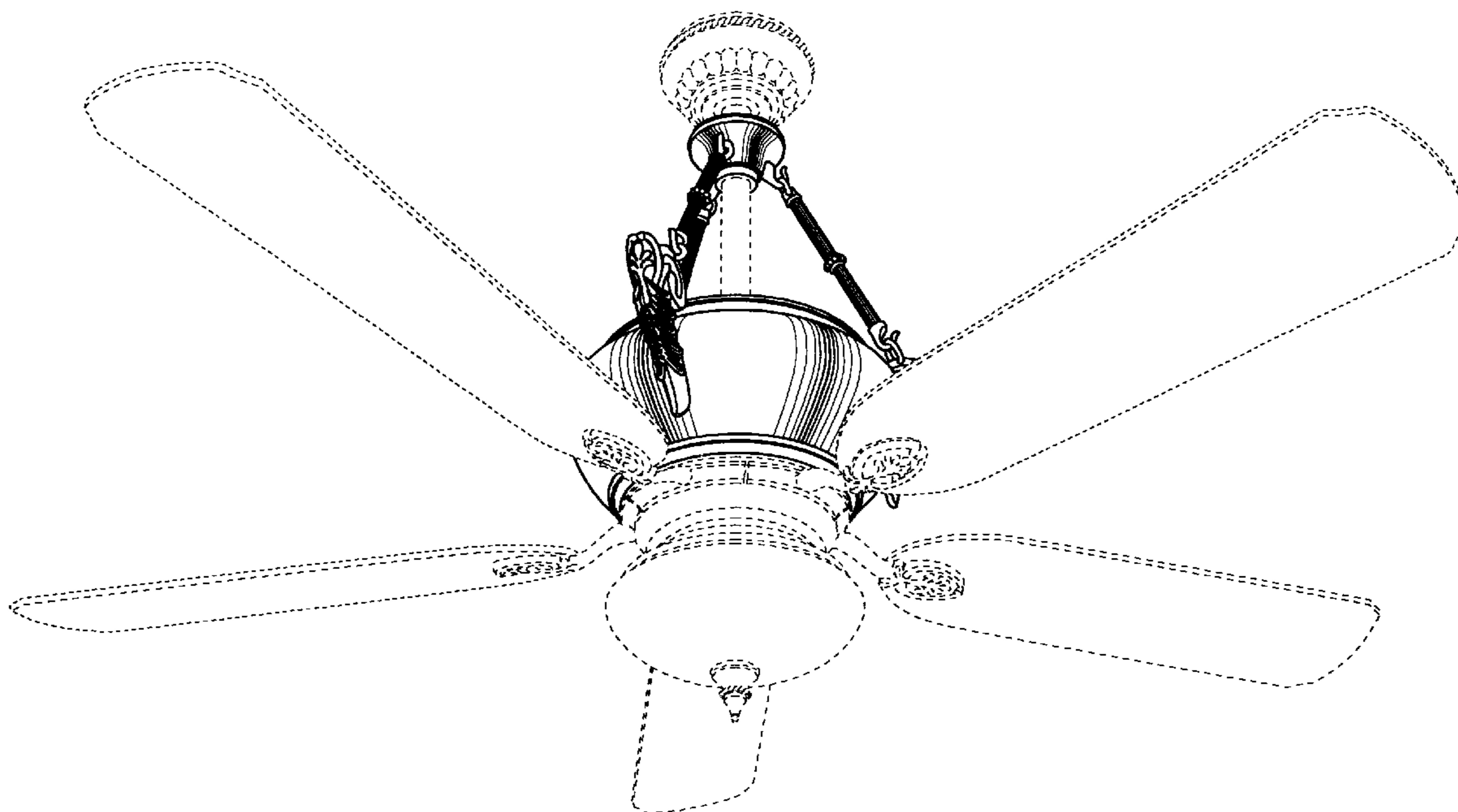
FIG. 4 is a greatly enlarged side elevation view of the ceiling fan housing in accordance with my design, including the environment thereof;

FIG. 5 is an enlarged bottom plan view of the ceiling fan housing in accordance with my design; and,

FIG. 6 is an enlarged top plan view of the ceiling fan housing in accordance with my design.

The broken lines showing environmental structure are for illustrative purposes and form no part of the claimed design.

**1 Claim, 6 Drawing Sheets**



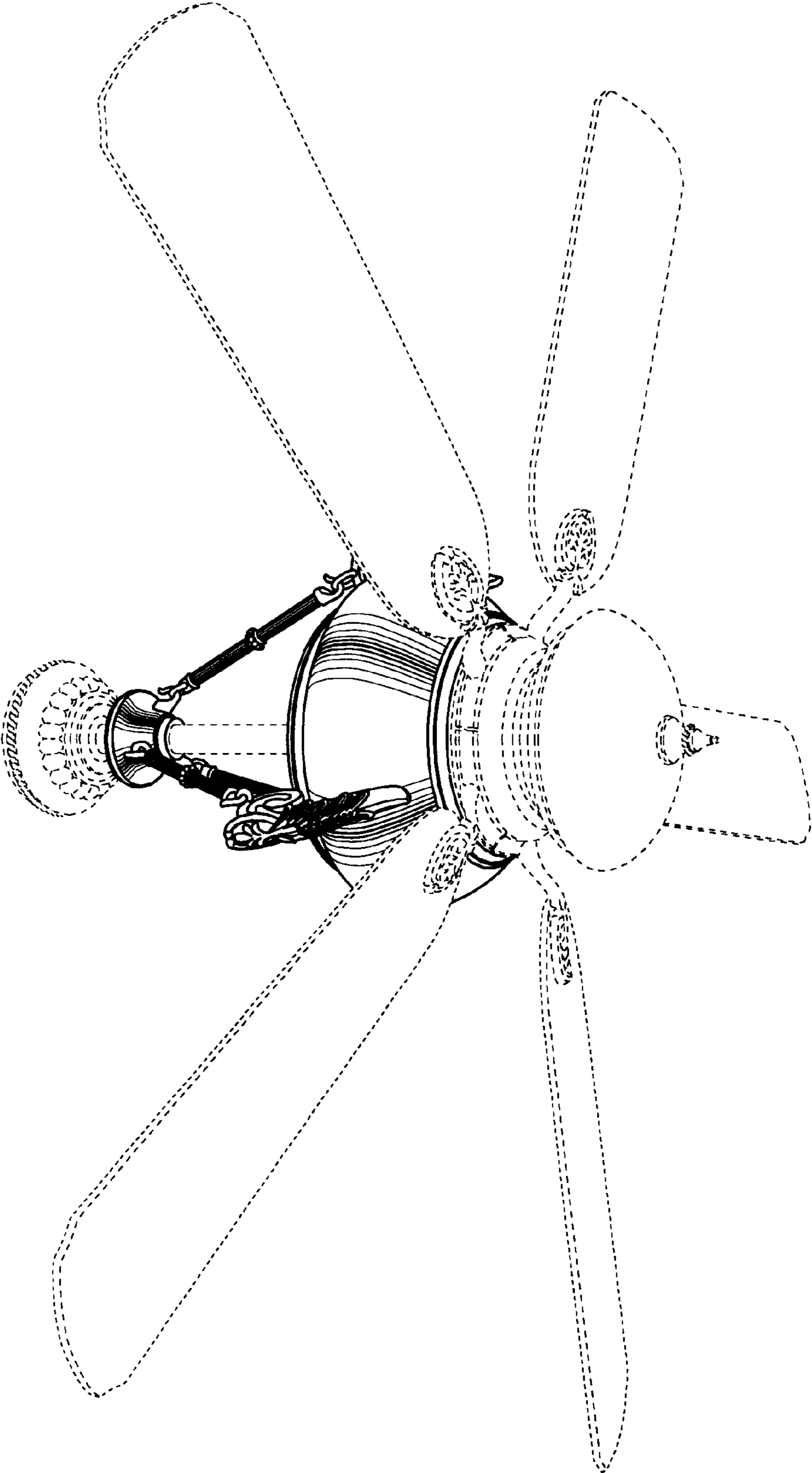
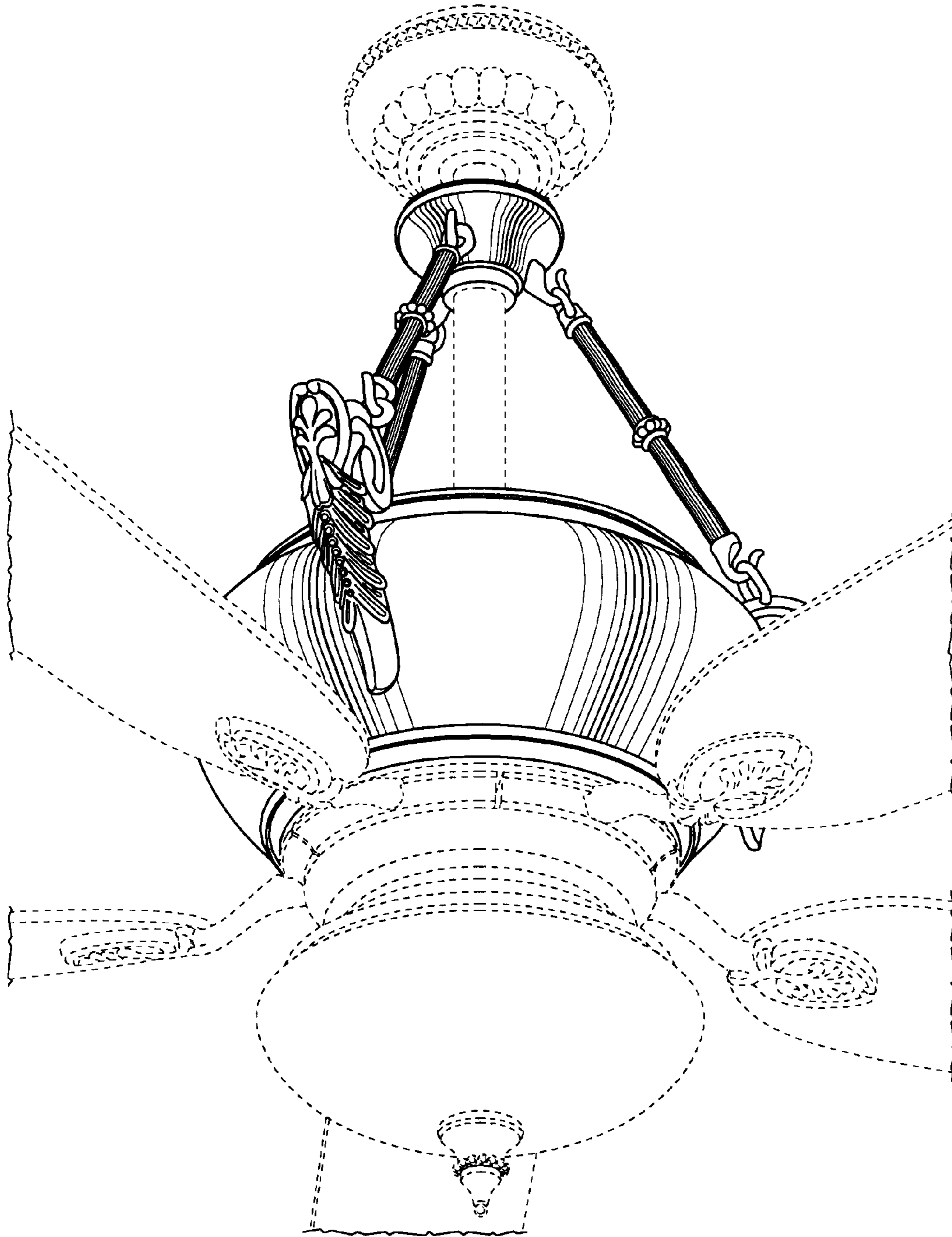
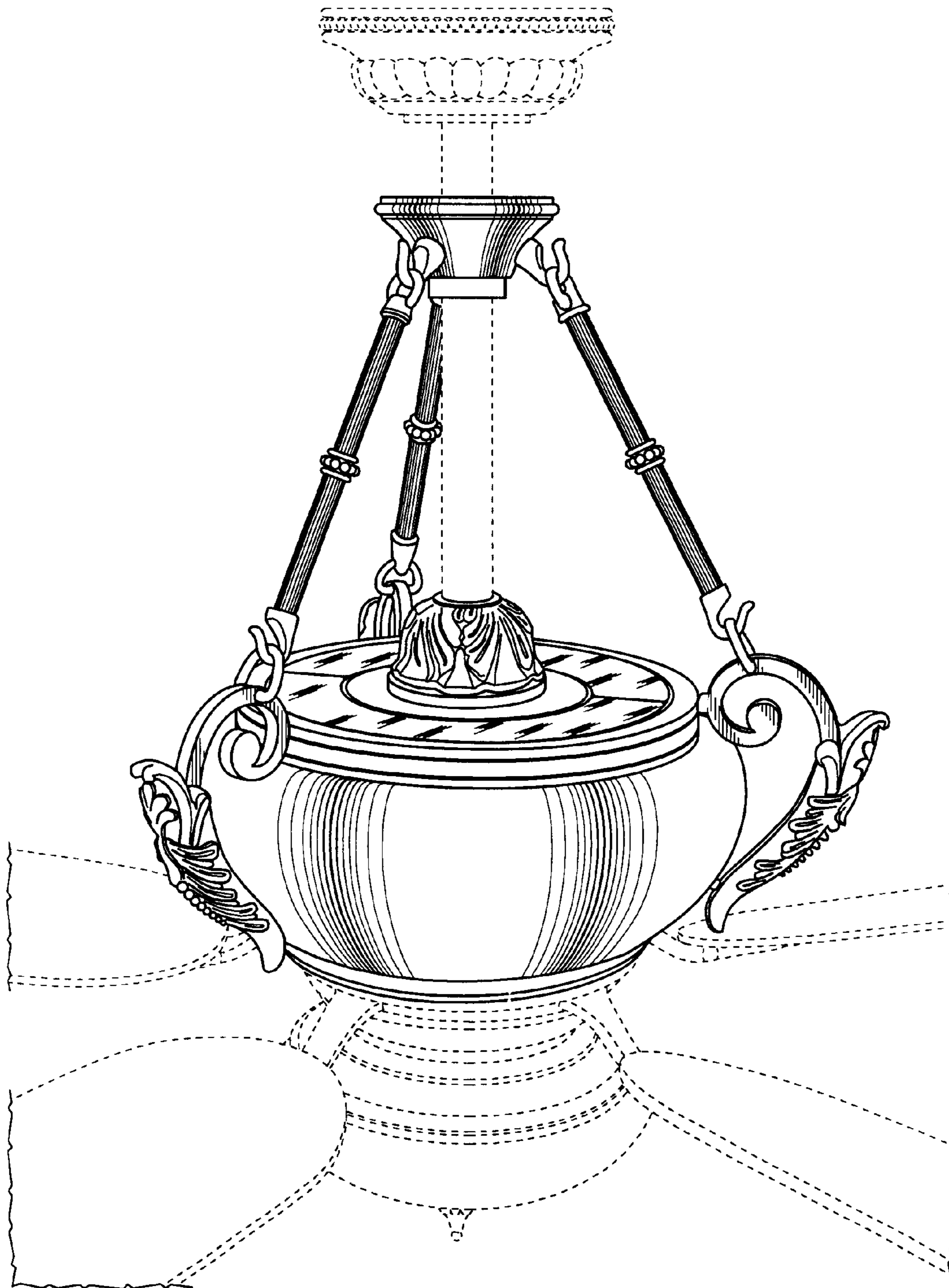


Fig. 1



*Fig.2*



*Fig.3*

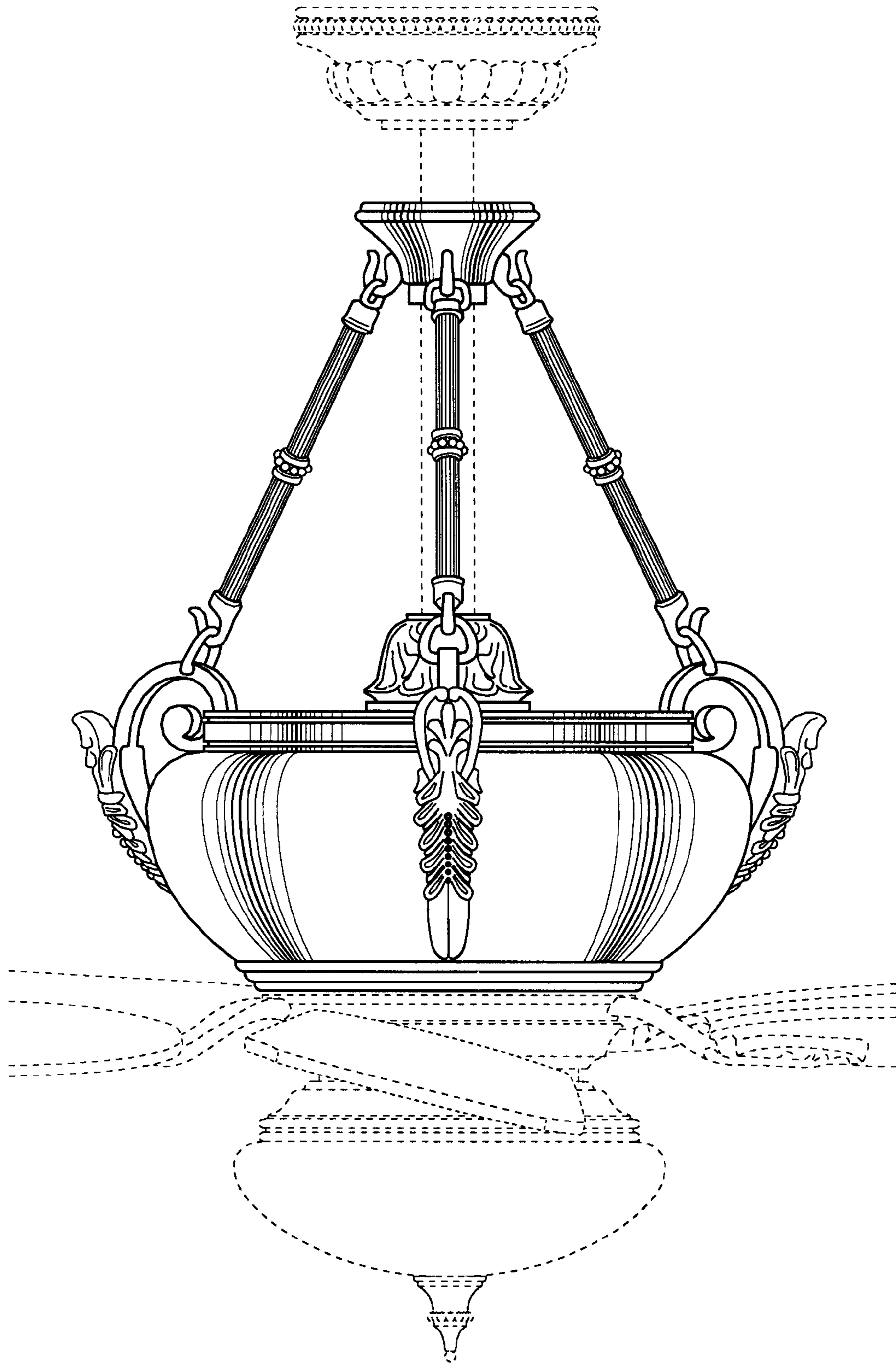
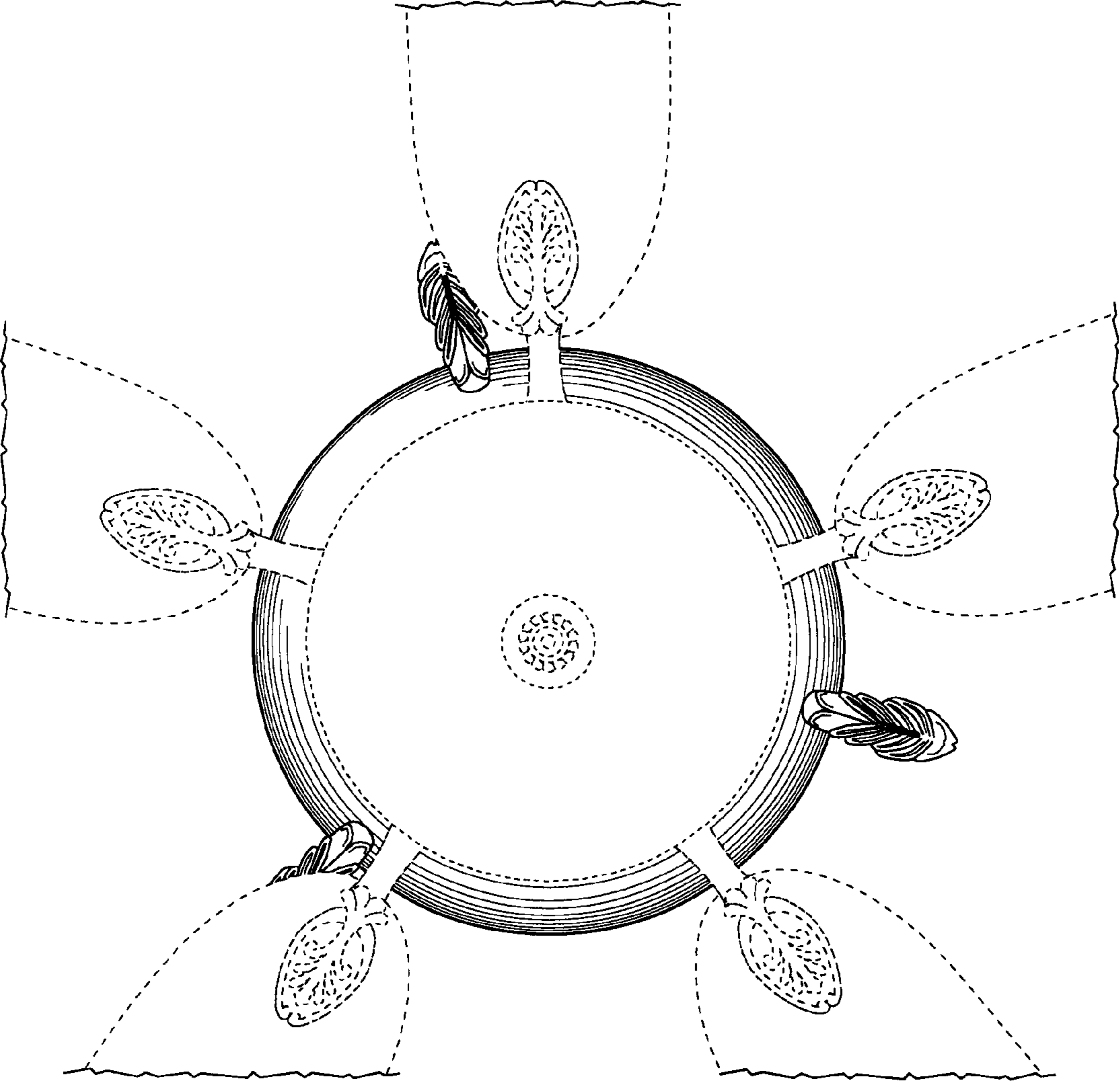
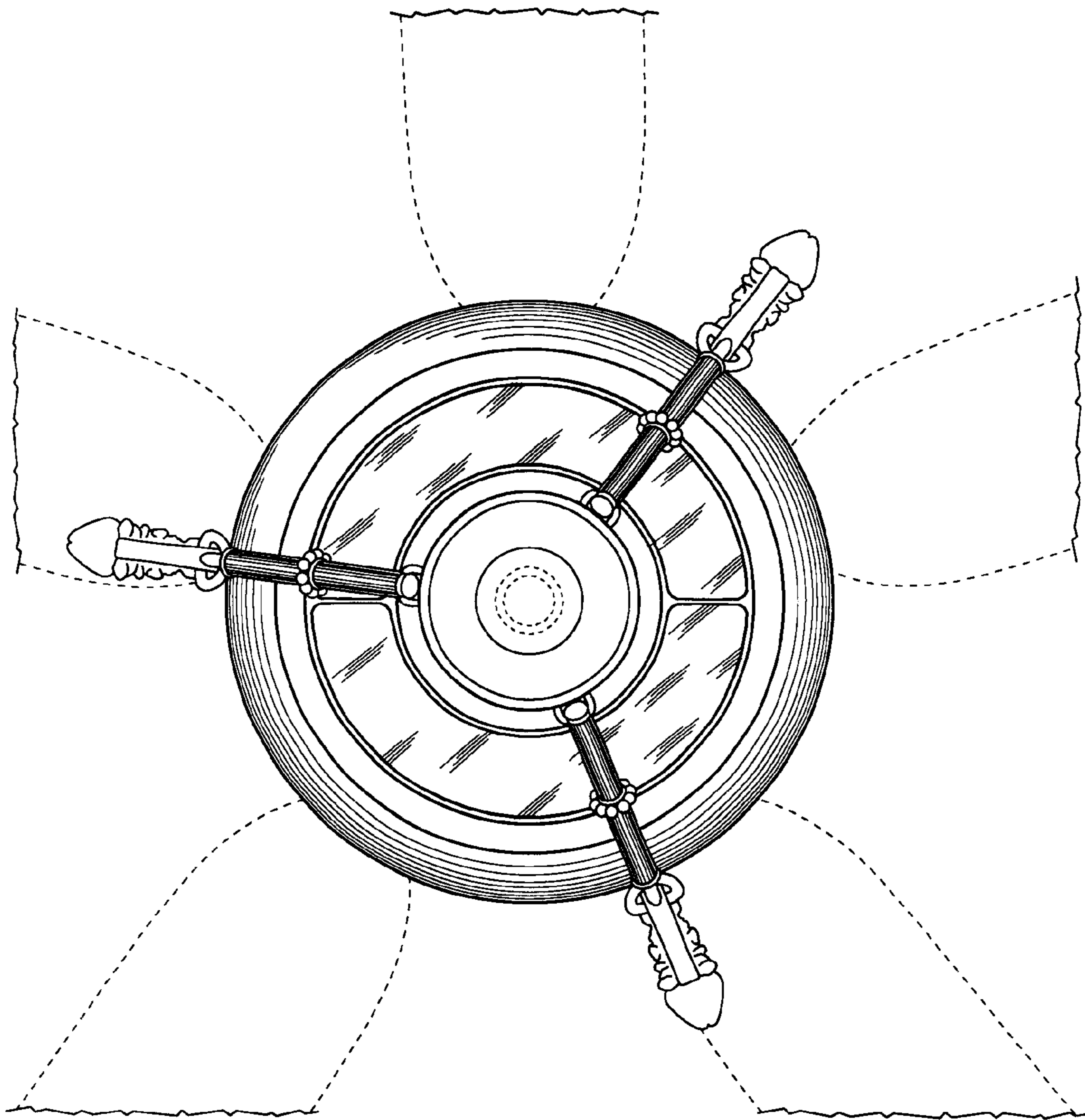


Fig.4



*Fig.5*



*Fig.6*