



US00D527451S

(12) **United States Design Patent** (10) **Patent No.:** **US D527,451 S**
Glasbrenner (45) **Date of Patent:** **** Aug. 29, 2006**

(54) **COMBINED CEILING FAN MOTOR HOUSING AND LIGHT KIT**

Primary Examiner—Lisa Lichtenstein

(75) Inventor: **Brian Glasbrenner**, Santa Monica, CA (US)

(74) *Attorney, Agent, or Firm*—Troxell Law Office, PLLC

(73) Assignee: **Air Cool Industrial Co., Ltd.**, Taichung Hsien (TW)

(57) **CLAIM**

The ornamental design for a combined ceiling fan motor housing and light kit, as shown and described.

(**) Term: **14 Years**

DESCRIPTION

(21) Appl. No.: **29/241,831**

FIG. 1 is a perspective view of a combined ceiling fan motor housing and light kit showing my new design;

(22) Filed: **Nov. 2, 2005**

FIG. 2 is a front end elevation view thereof;

(51) **LOC (8) Cl.** **23-04**

FIG. 3 is a rear end elevation view thereof;

(52) **U.S. Cl.** **D23/377; 23/379; 23/385; 26/59**

FIG. 4 is a left side elevation view thereof;

(58) **Field of Classification Search** D23/411, D23/413, 377, 379, 385; 416/5; D26/59, D26/72, 81–88, 51

FIG. 5 is a right side elevation view thereof;

FIG. 6 is a top plan view thereof;

See application file for complete search history.

FIG. 7 is a bottom plan view thereof; and,

FIG. 8 is a front end view of the combined ceiling fan motor housing and light kit in accordance with my design, shown in its environment.

The broken lines in the views show environmental features, which are for illustrative purposes only and form no part of the claimed design.

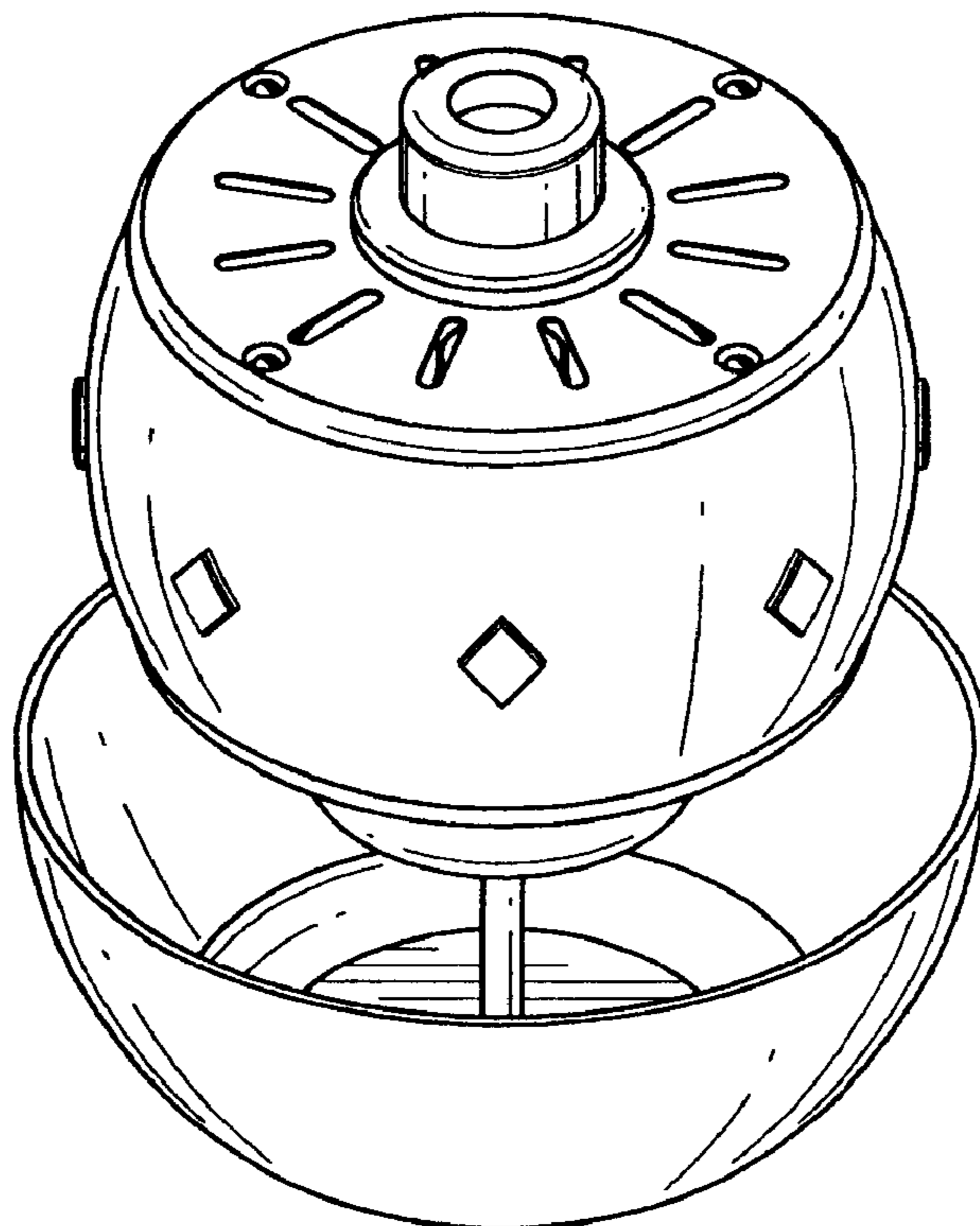
(56) **References Cited**

U.S. PATENT DOCUMENTS

D421,799 S * 3/2000 Zuege D23/377
D480,795 S * 10/2003 Tsuji D23/411

* cited by examiner

1 Claim, 5 Drawing Sheets



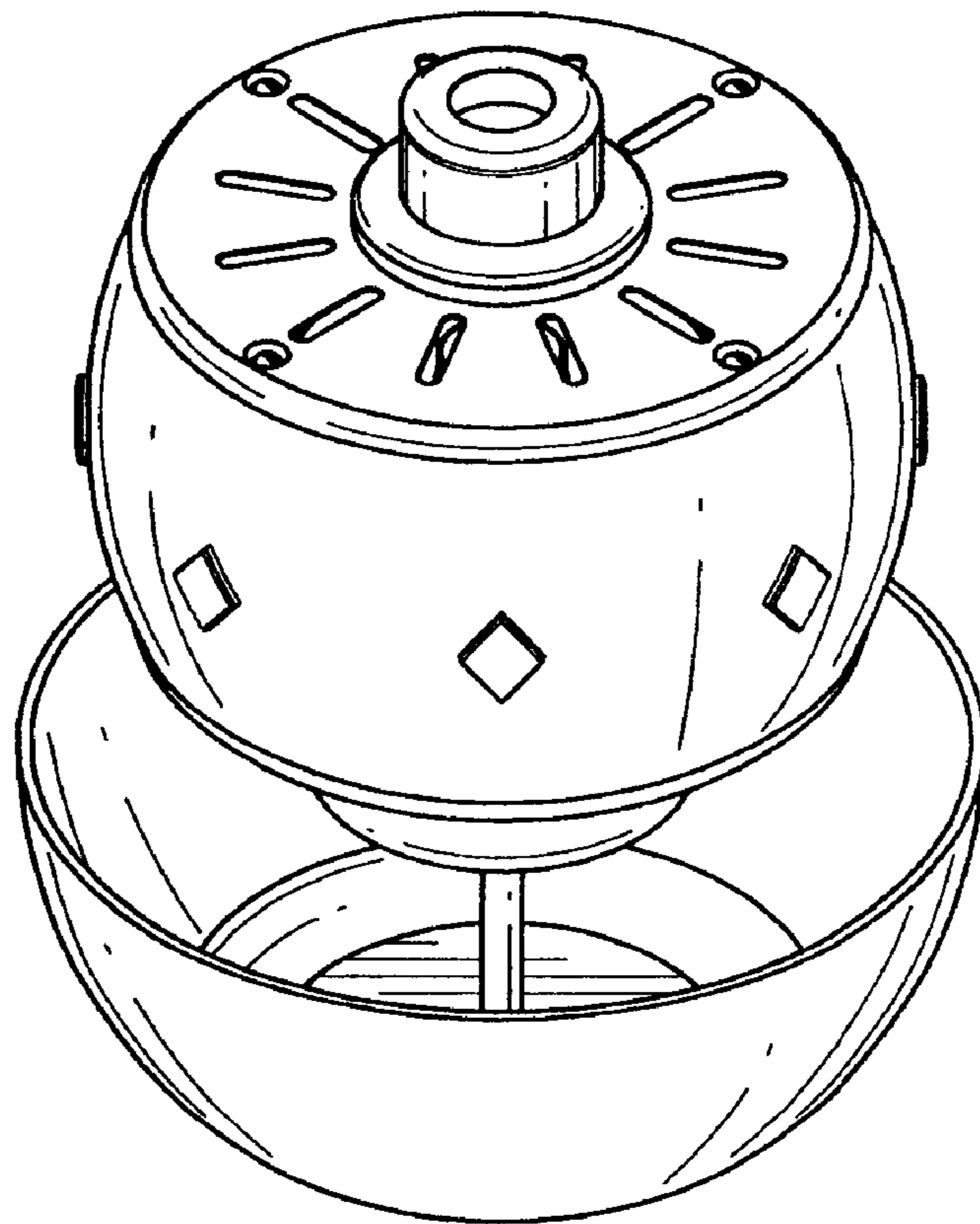


FIG. 1

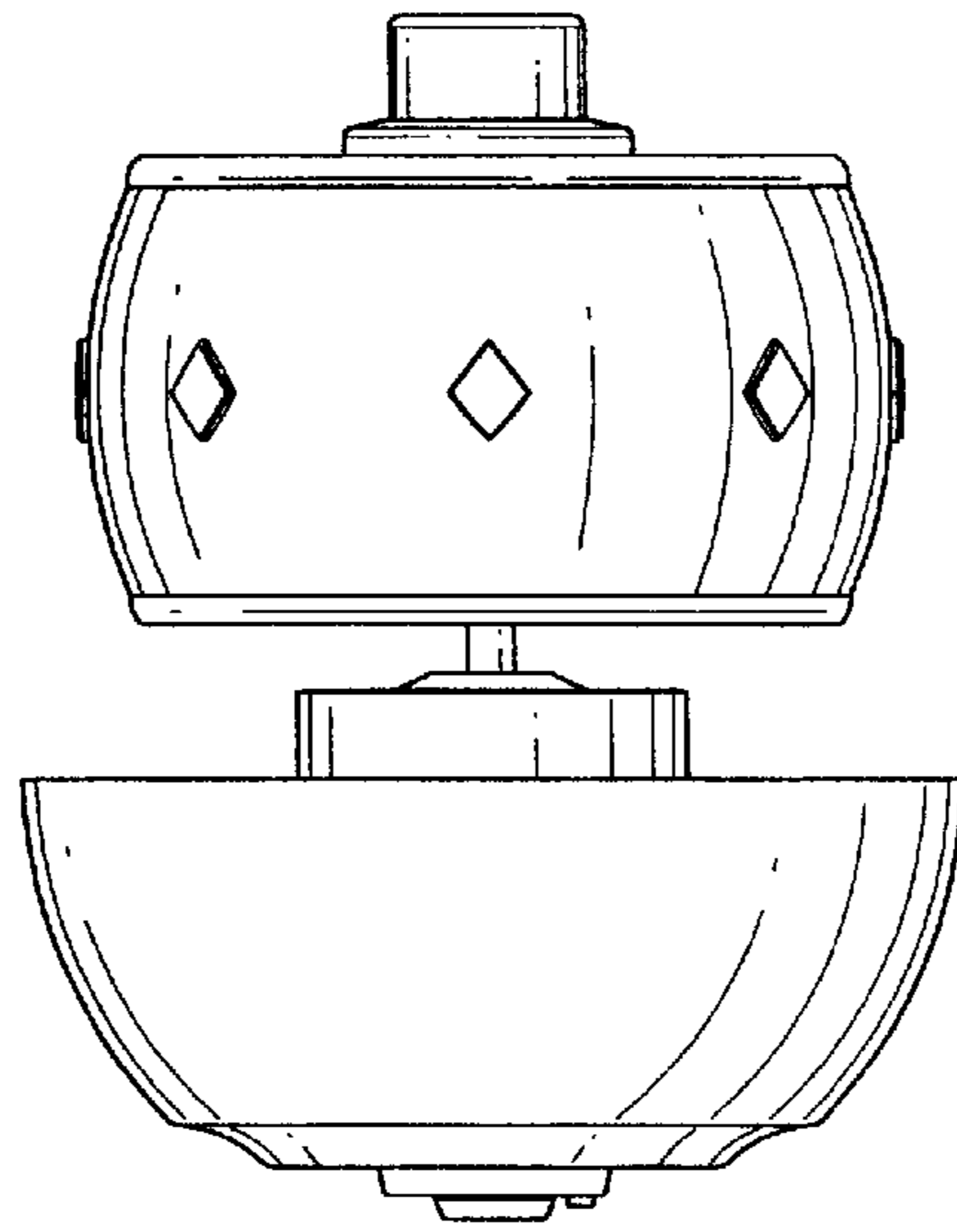


FIG. 2

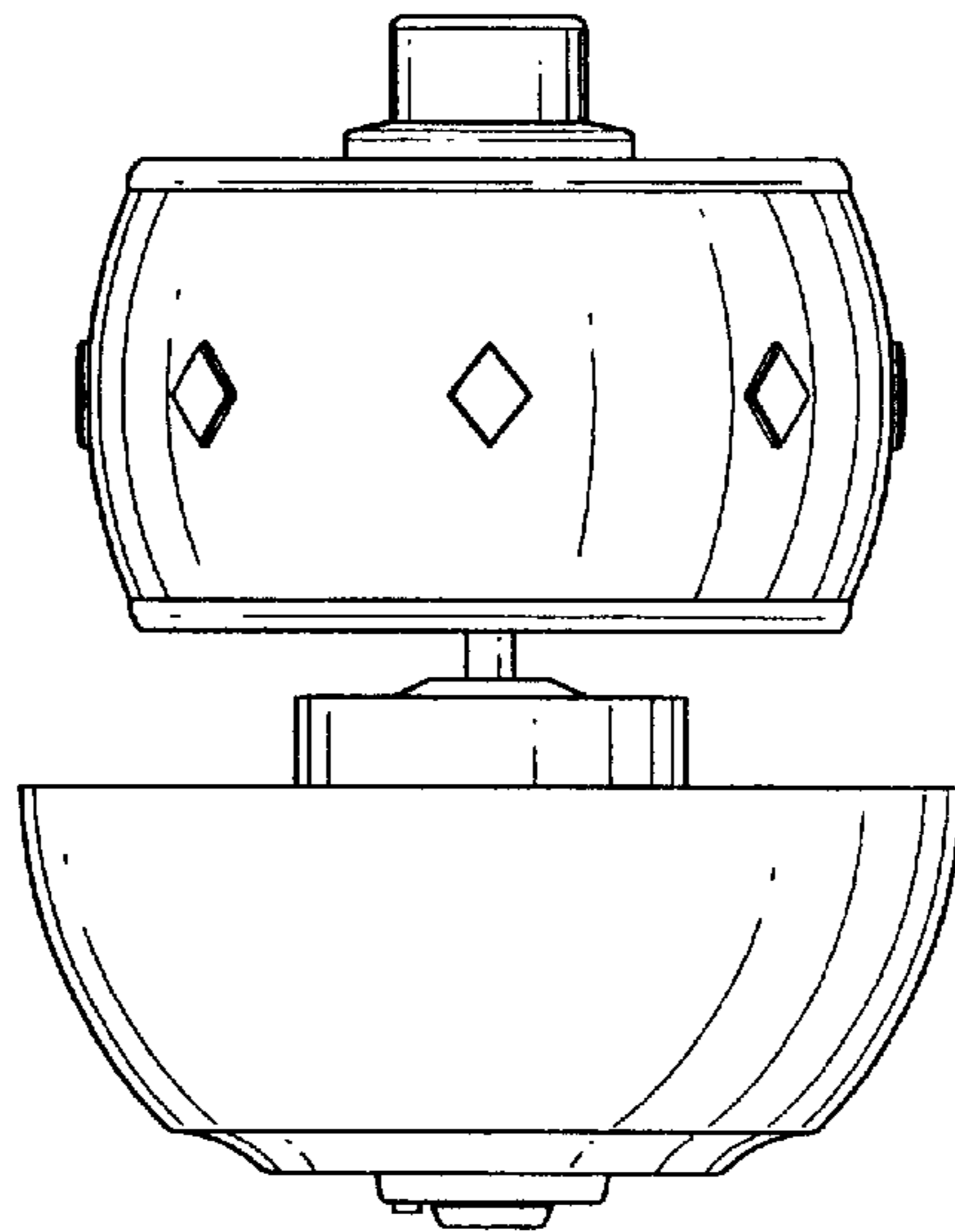


FIG. 3

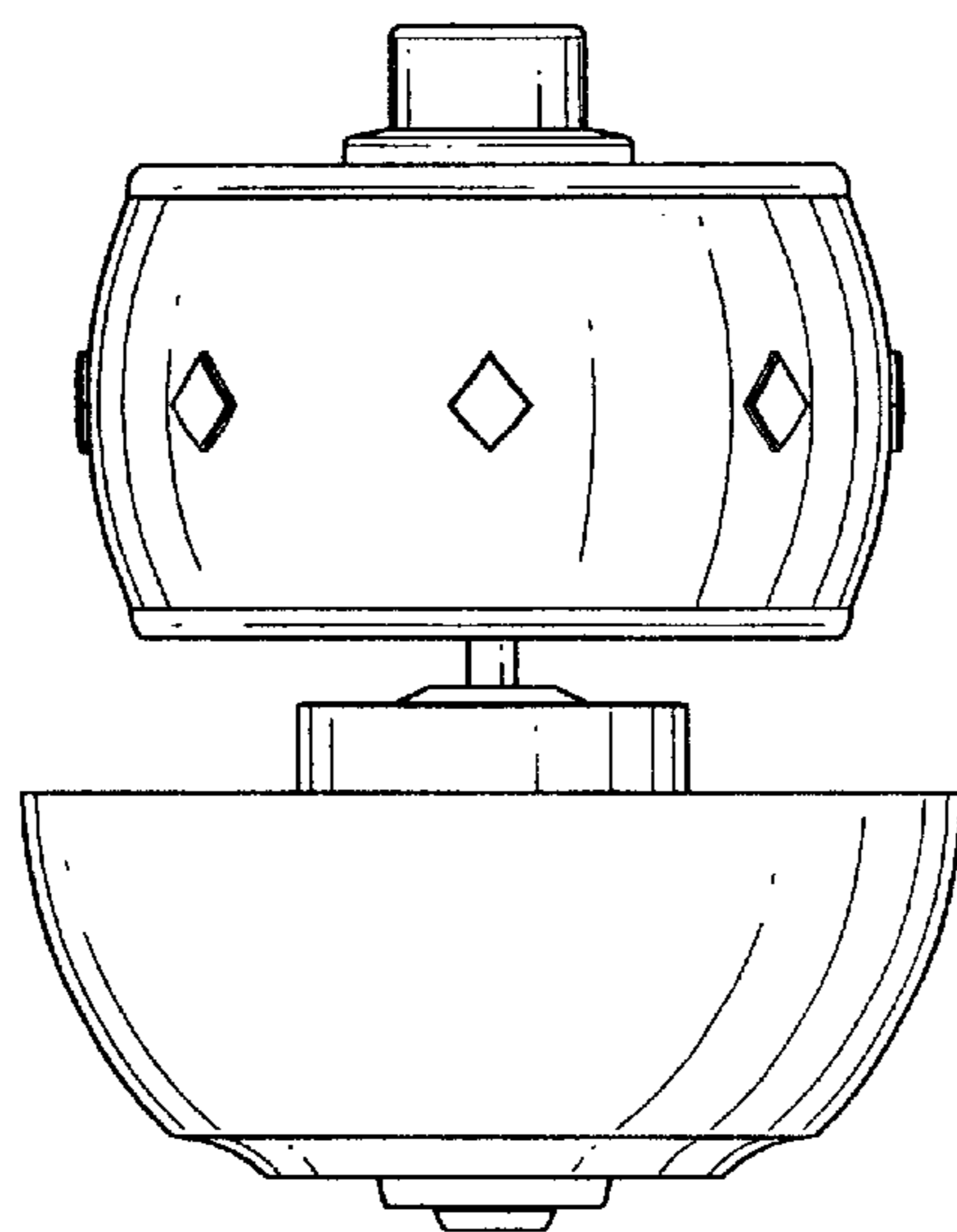


FIG. 4

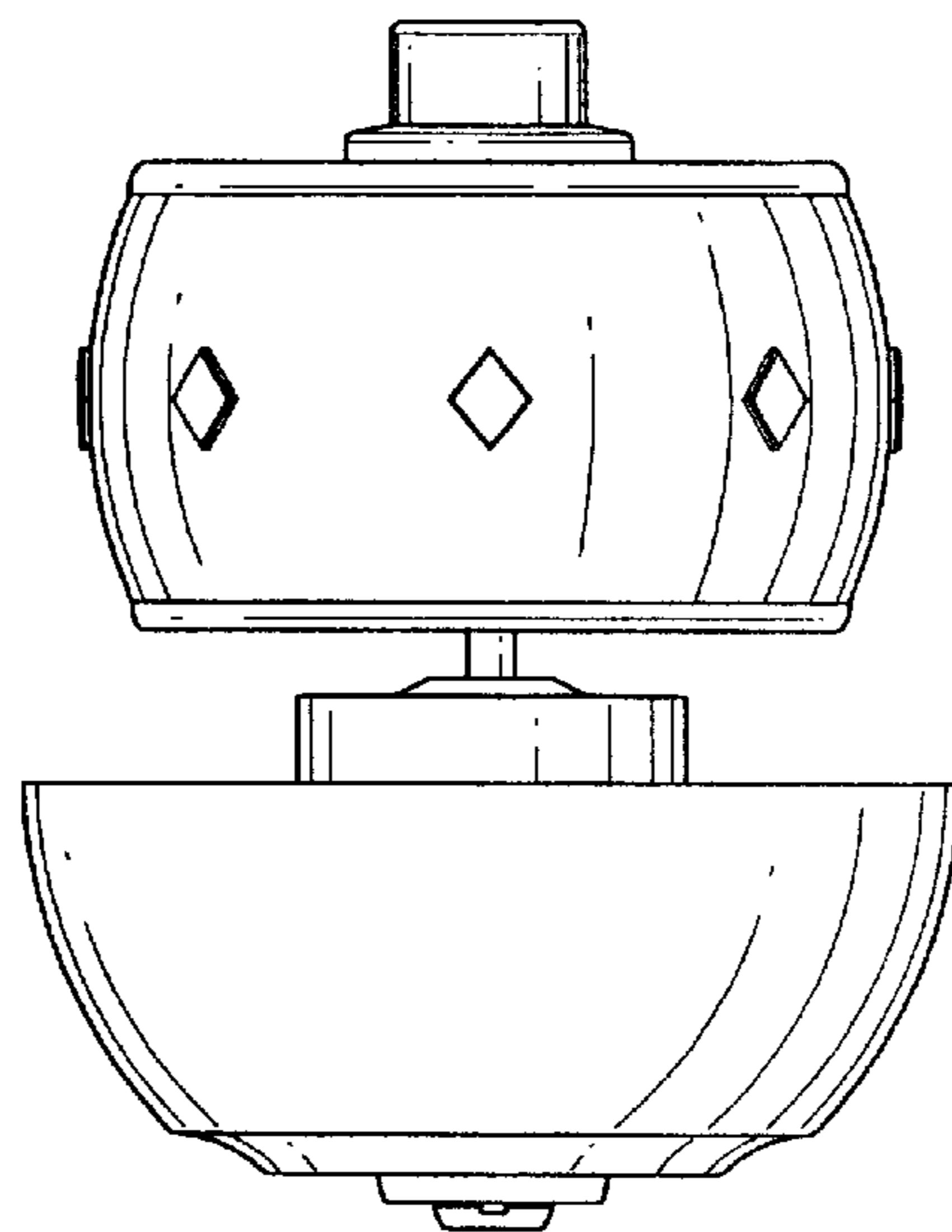


FIG. 5

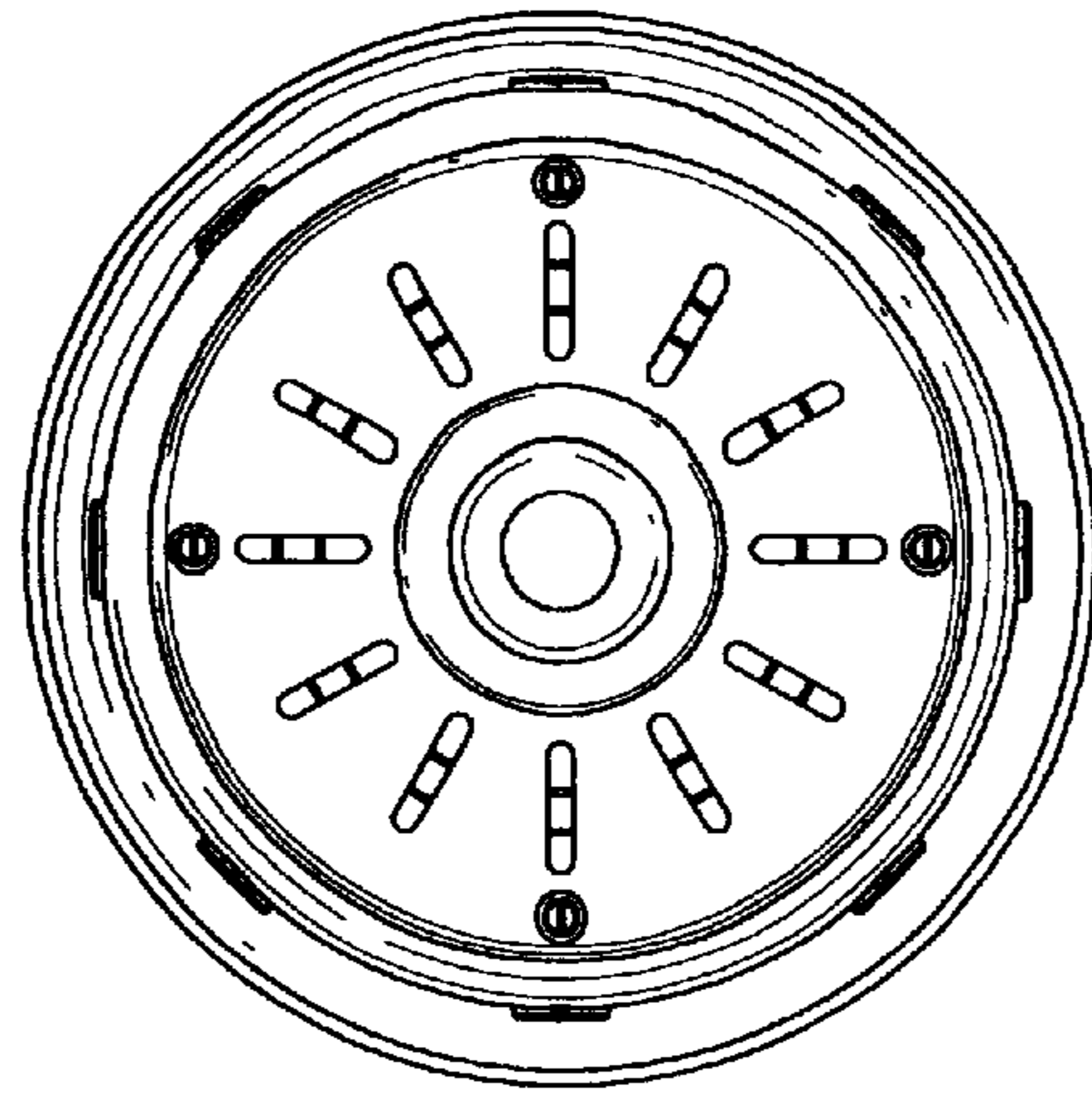


FIG. 6

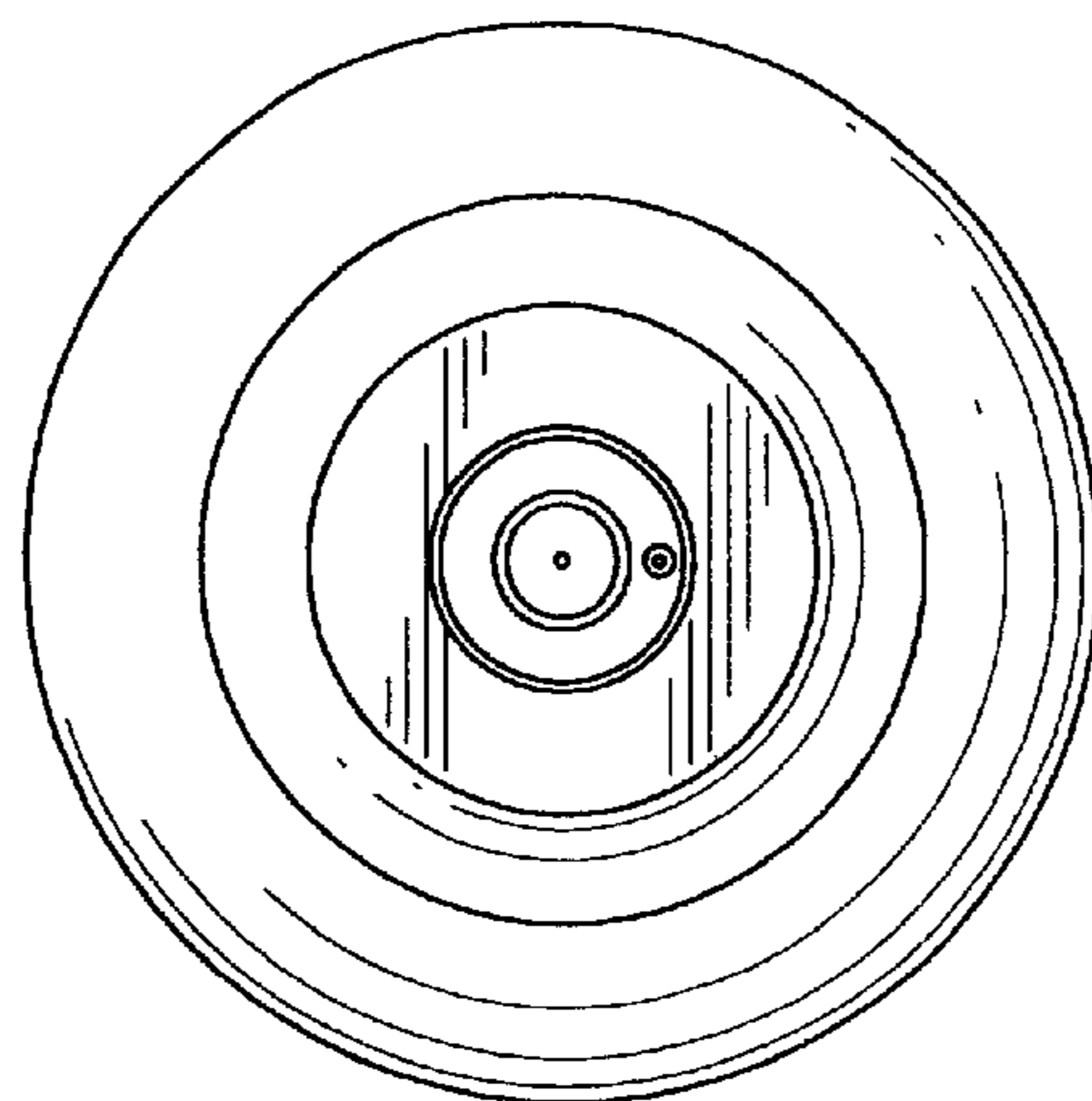


FIG. 7

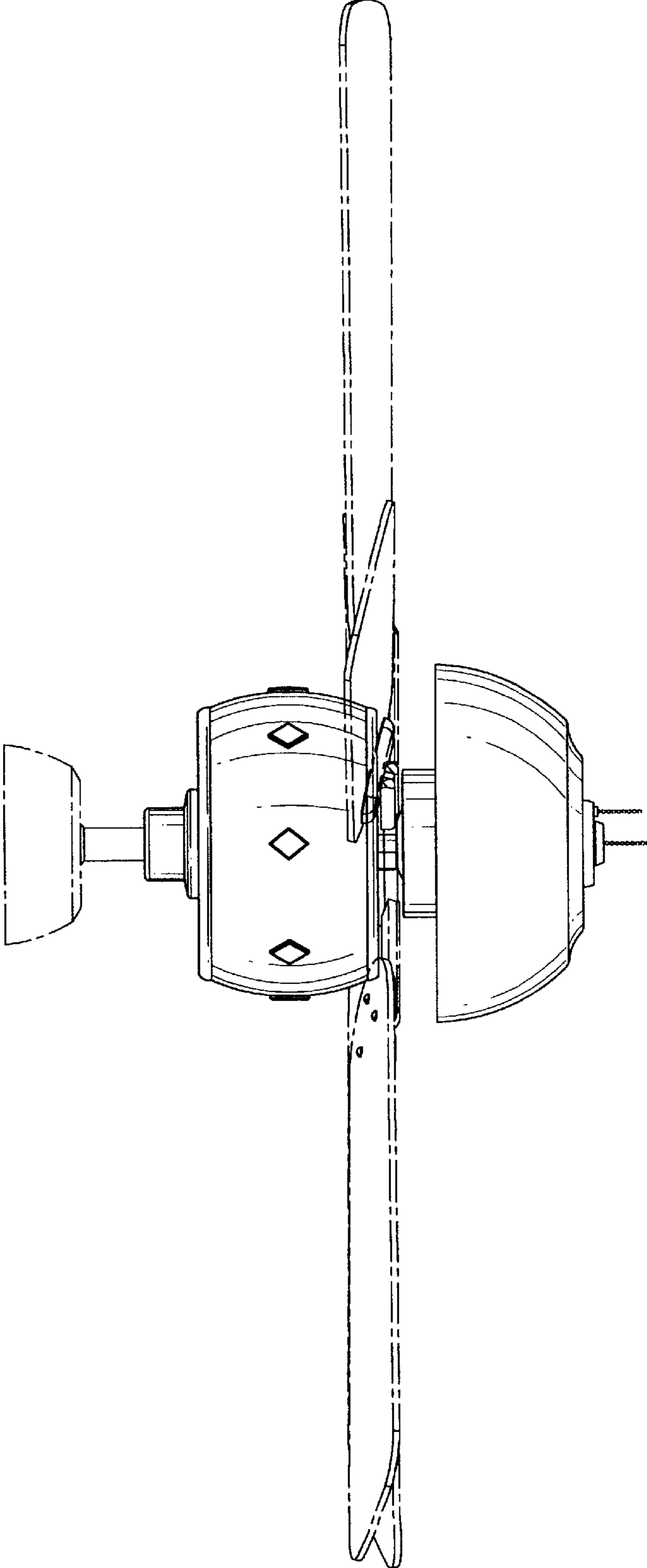


FIG. 8