

US00D527450S

(12) **United States Design Patent**  
**Hidalgo**

(10) **Patent No.:** **US D527,450 S**

(45) **Date of Patent:** **\*\* Aug. 29, 2006**

(54) **COMBINATION CEILING FAN AND LIGHT FIXTURE**

(75) Inventor: **Rolando Hidalgo**, Orange, CA (US)

(73) Assignee: **Minka Lighting, Inc.**, Corona, CA (US)

(\*\*) Term: **14 Years**

(21) Appl. No.: **29/214,305**

(22) Filed: **Sep. 30, 2004**

(51) **LOC (8) Cl.** ..... **23-04**

(52) **U.S. Cl.** ..... **D23/377**

(58) **Field of Classification Search** ..... D23/377,  
D23/379, 385, 411, 413; 416/5; D26/59,  
D26/51, 72, 81-88

See application file for complete search history.

(56) **References Cited**

**U.S. PATENT DOCUMENTS**

5,292,228	A	*	3/1994	Dye	.....	416/5
D410,100	S	*	5/1999	Jaspers-Fayer	.....	D26/59
D470,931	S	*	2/2003	Hidalgo	.....	D23/377
D504,502	S	*	4/2005	Young	.....	D23/377

**OTHER PUBLICATIONS**

Minka-Lavery; Minka-Lavery 2005 Catalog; Jan. 2005; pp. 121-124; Minka Lighting, Inc.; U.S.A.

\* cited by examiner

*Primary Examiner*—Lisa Lichtenstein

(74) *Attorney, Agent, or Firm*—Baker & McKenzie LLP

(57) **CLAIM**

The ornamental design for a combination ceiling fan and light fixture, as shown and described.

**DESCRIPTION**

FIG. 1 is a perspective view from below of a combination ceiling fan and light fixture in accordance with my design, including the environment thereof;

FIG. 2 is an enlarged perspective view from below of the combination ceiling fan and light fixture in accordance with my design, including the environment thereof;

FIG. 3 is a bottom plan view from above of the combination ceiling fan and light fixture in accordance with my design;

FIG. 4 is a top plan elevation view from below of the combination ceiling fan and light fixture in accordance with my design;

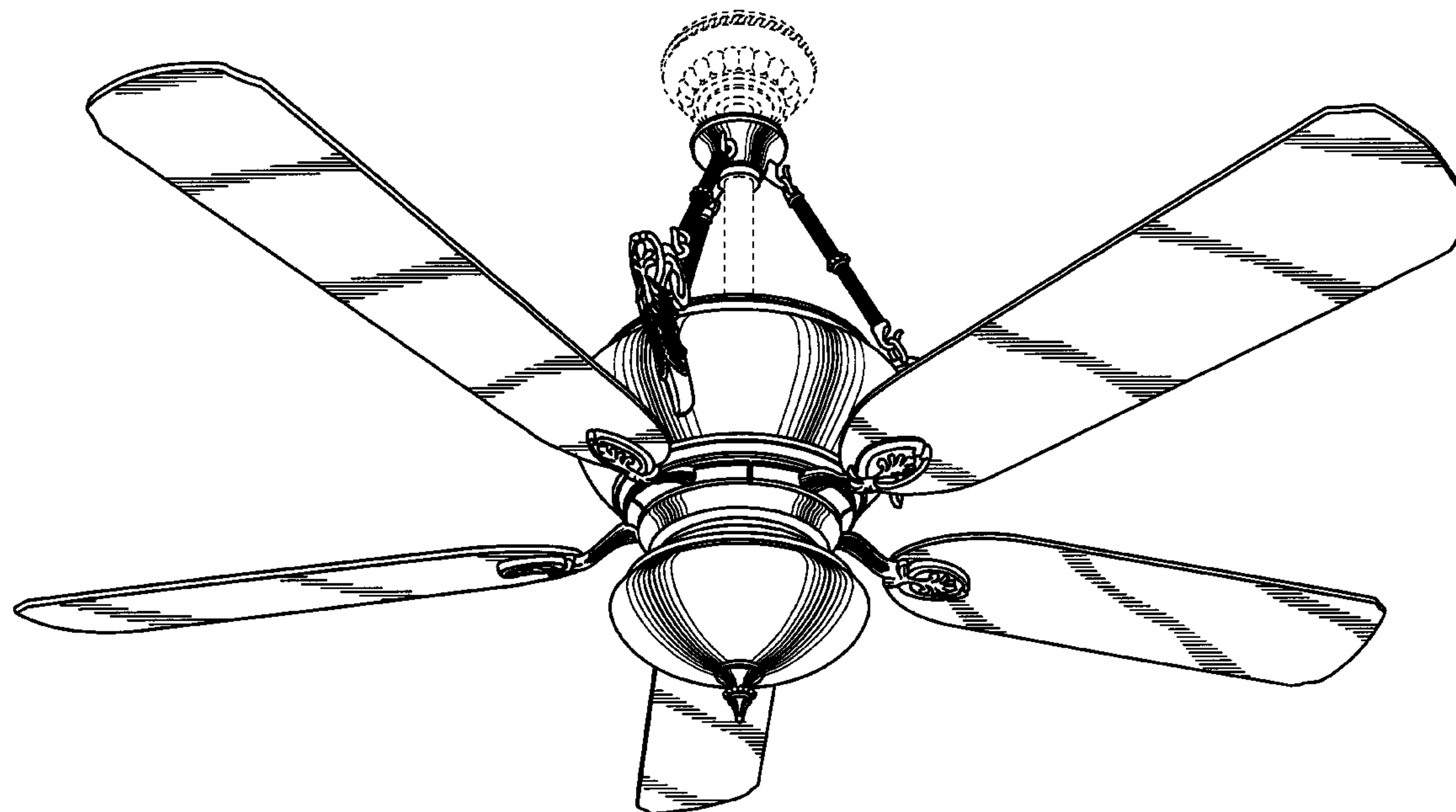
FIG. 5 is a side elevation view from below of the combination ceiling fan and light fixture in accordance with my design, including the environment thereof; and,

FIG. 6 is a front elevation view from below of the combination ceiling fan and light fixture in accordance with my design, including the environment thereof.

FIGS. 5 and 6 are identical except for the positioning of the fan blades.

The broken lines showing environmental structure are for illustrative purposes and form no part of the claimed design. In FIG. 2, the fan blades are shown broken away to indicated indeterminate length.

**1 Claim, 6 Drawing Sheets**



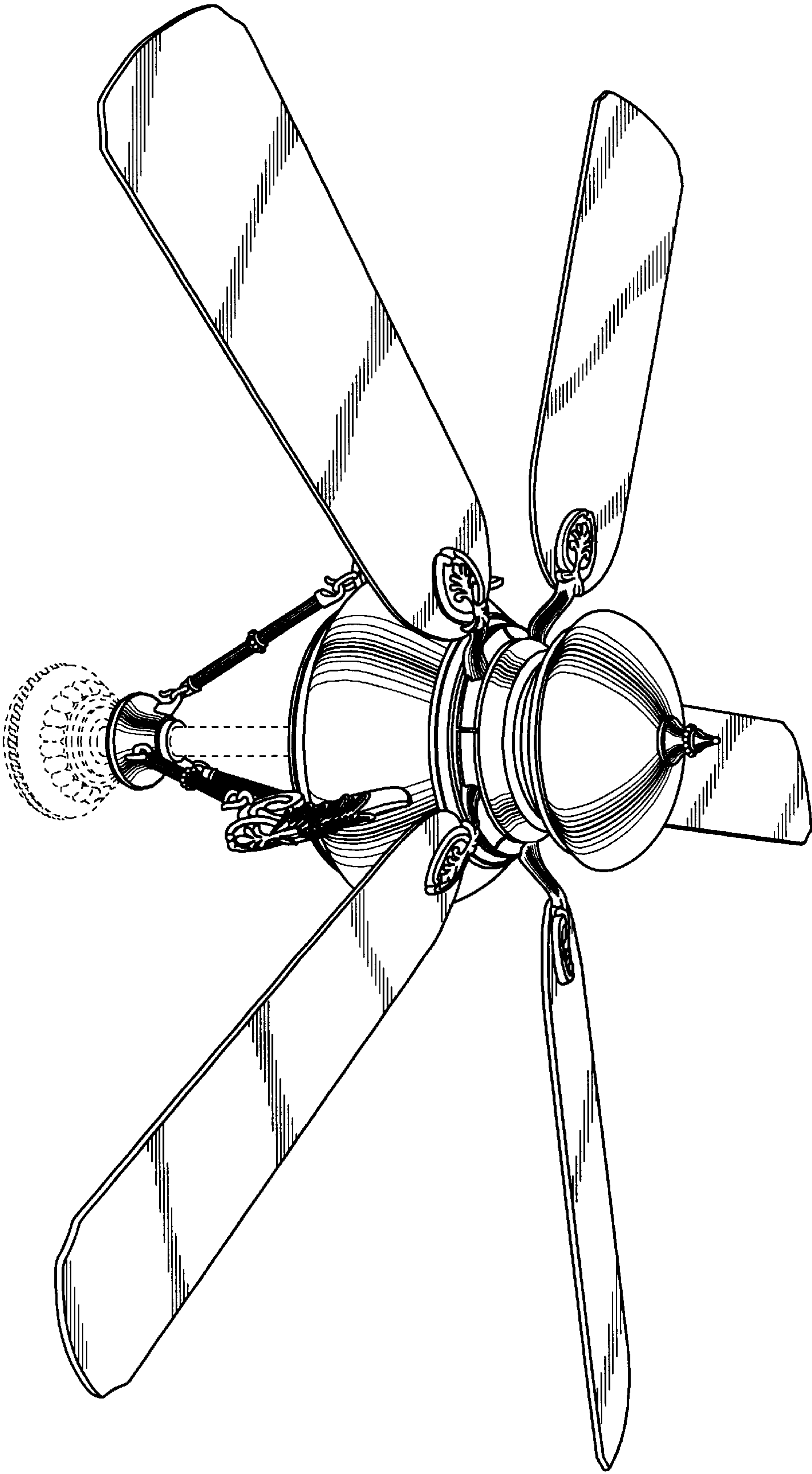


Fig. 1

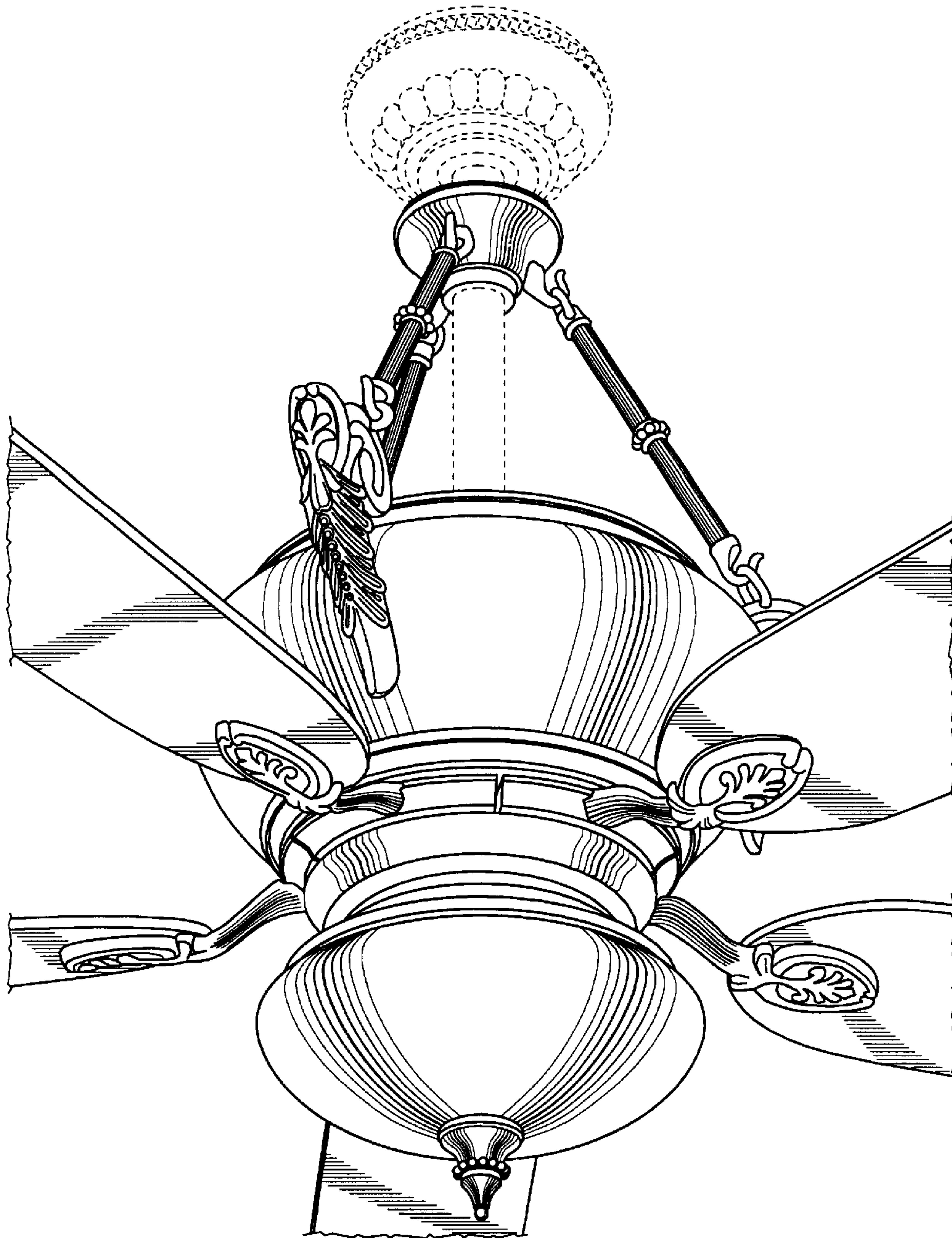
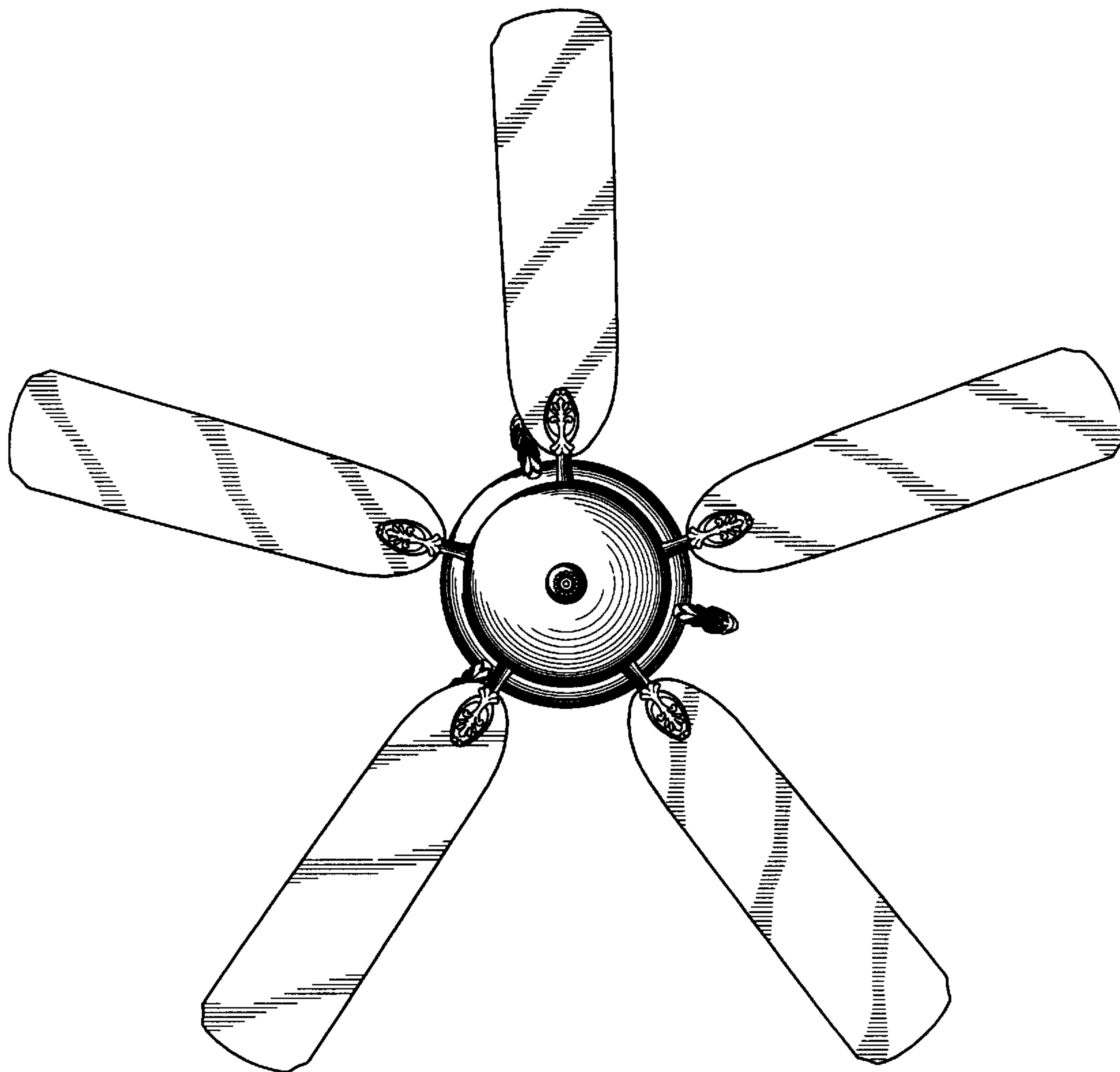
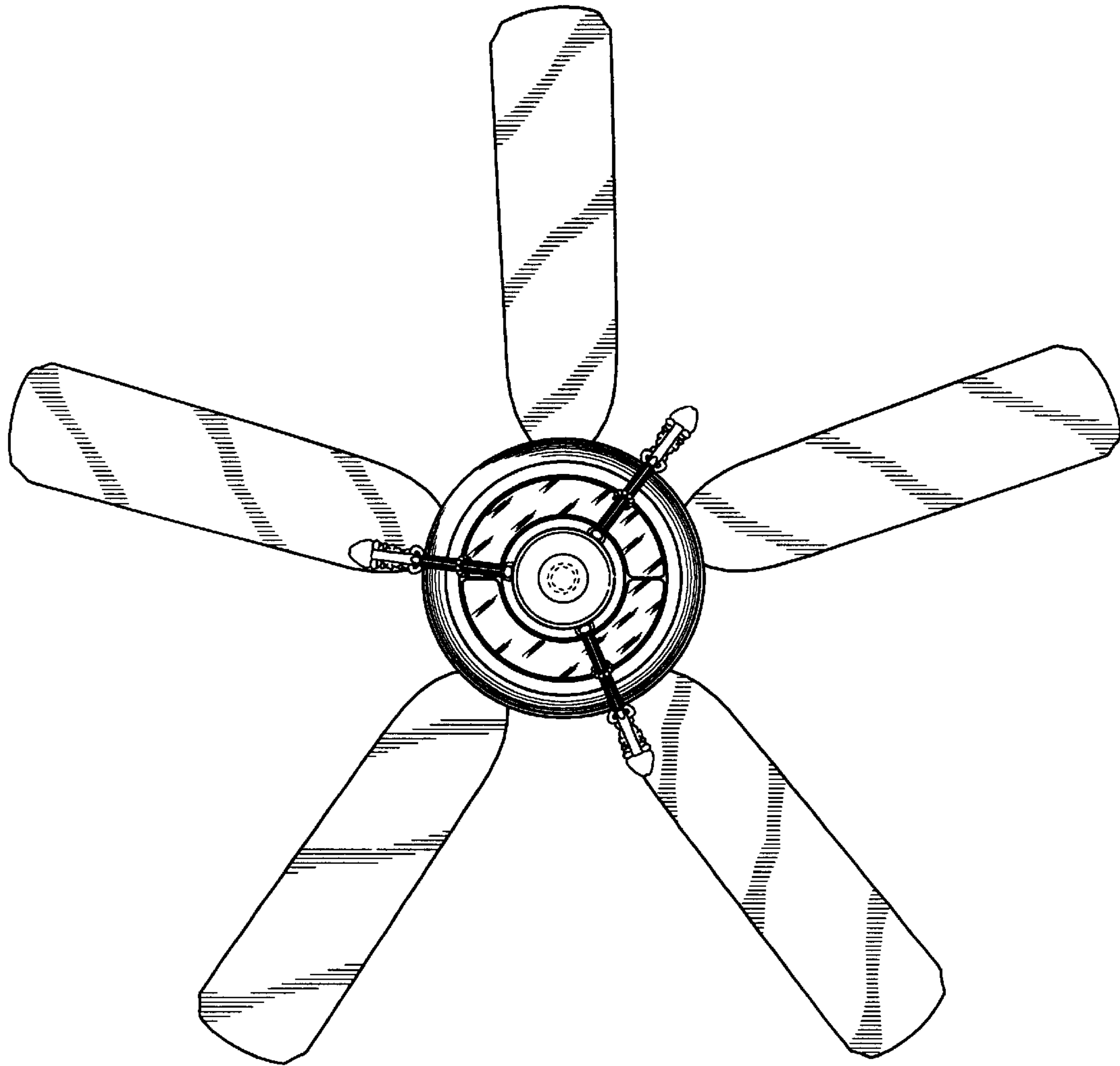


Fig.2





*Fig.3*



*Fig.4*

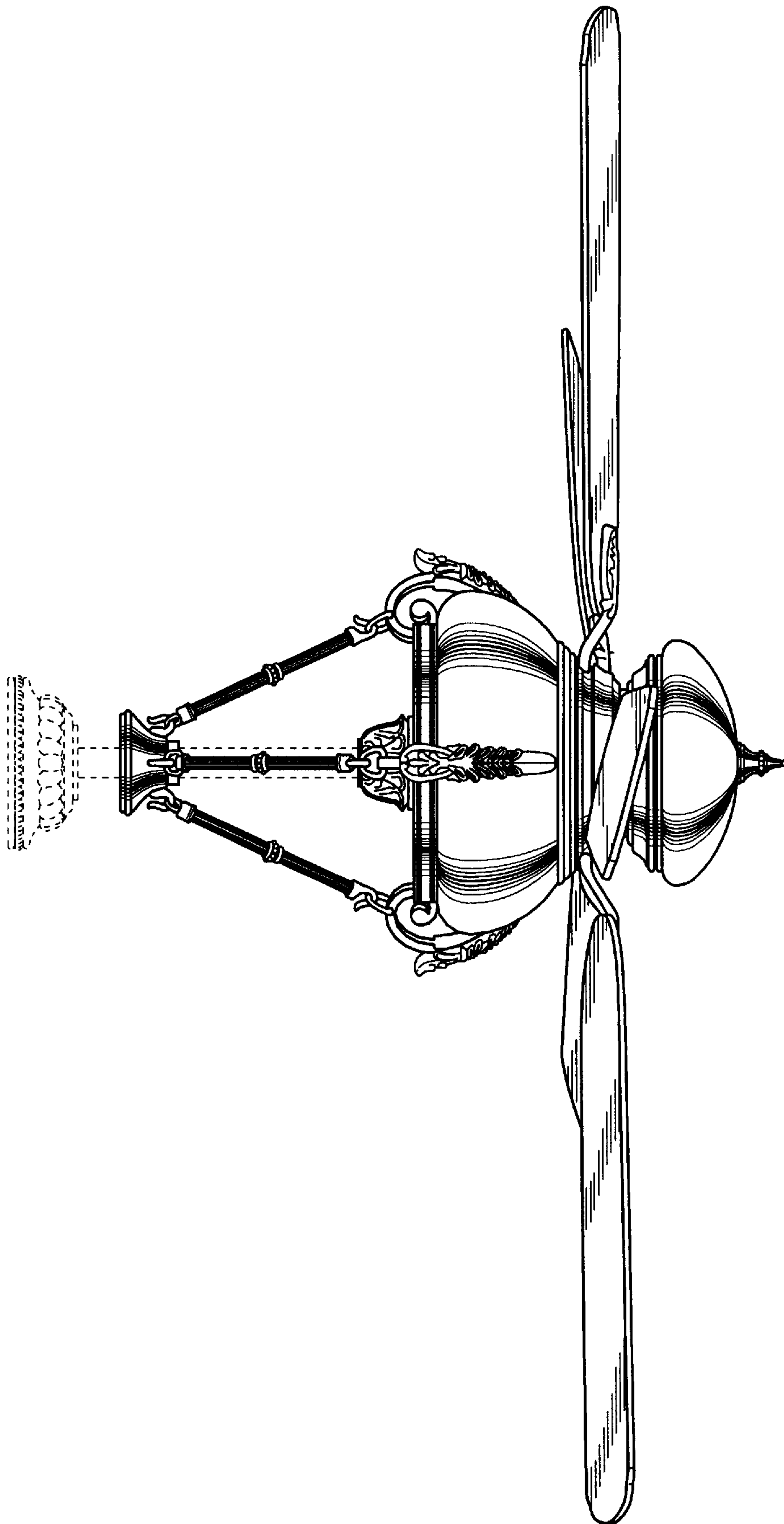


Fig.5

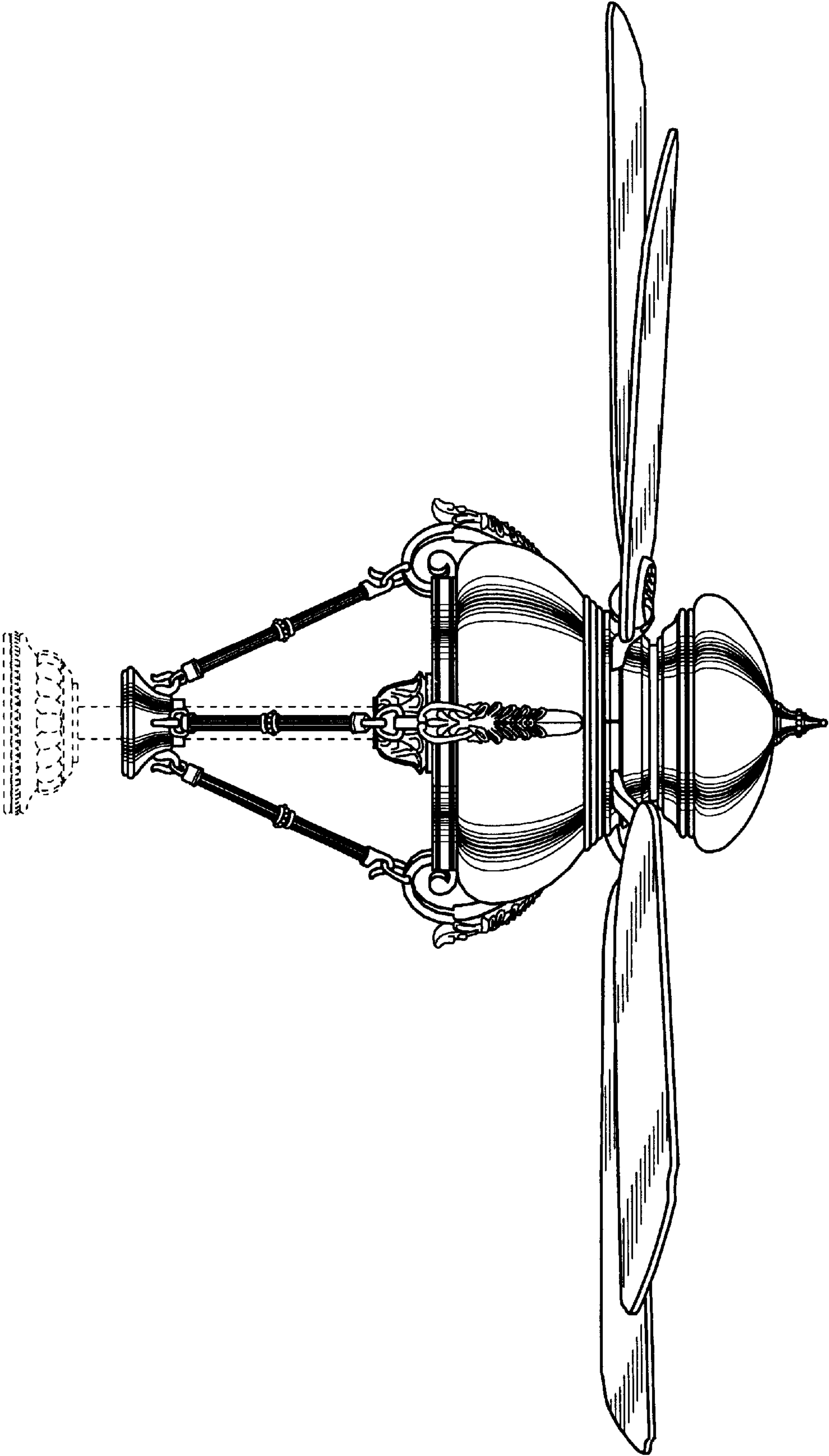


Fig. 6