



US00D527443S

(12) **United States Design Patent** (10) **Patent No.:** **US D527,443 S**
Kulig (45) **Date of Patent:** **** Aug. 29, 2006**

(54) **FAUCET HANDLE**
(75) Inventor: **Zbigniew Kulig**, Wadsworth, IL (US)
(73) Assignee: **Graff Faucets**, Milwaukee, WI (US)
(**) Term: **14 Years**
(21) Appl. No.: **29/240,394**
(22) Filed: **Oct. 12, 2005**
(51) **LOC (8) Cl.** **23-01**
(52) **U.S. Cl.** **D23/252**
(58) **Field of Classification Search** D23/238–257;
D8/250–257, 300–322, DIG. 3; 16/110.1;
4/675–678; 137/801
See application file for complete search history.

(56) **References Cited**

U.S. PATENT DOCUMENTS

D465,832 S	*	11/2002	Singtoroj	D23/252
D467,313 S	*	12/2002	Hundley	D23/252
D470,922 S	*	2/2003	Marshall	D23/254
D473,932 S	*	4/2003	Caplow	D23/252
D475,767 S	*	6/2003	Yegyayan et al.	D23/252
D477,860 S	*	7/2003	Singtoroj	D23/252
D489,795 S		5/2004	Kulig		

OTHER PUBLICATIONS

Kulig, U.S. Appl. No. 29/200,362, filed Feb. 26, 2004, entitled "Faucet".
Kulig, U.S. Appl. No. 29/210,960, filed Aug. 9, 2004, allowed May 17, 2005, entitled "Faucet".
Kulig, U.S. Appl. No. 29/200,374, filed Feb. 26, 2004, allowed May 17, 2005, entitled "Faucet".
Kulig, U.S. Appl. No. 29/200,372, filed Feb. 26, 2004, allowed May 17, 2005, entitled "Faucet".
Kulig, U.S. Appl. No. 29/200,370, filed Feb. 26, 2004, allowed May 17, 2005, entitled "Faucet".
Kulig, et al., U.S. Appl. No. 29/200,367, filed Feb. 26, 2004, entitled "Faucet".
Kulig, et al., U.S. Appl. No. 29/200,363, filed Feb. 26, 2004, allowed May 17, 2005, entitled "Faucet".

Kulig, et al., U.S. Appl. No. 29/200,364, filed Feb. 26, 2004, allowed May 17, 2005, entitled "Faucet".
Kulig, et al., U.S. Appl. No. 29/200,375, filed Feb. 26, 2004, allowed May 17, 2005, entitled "Faucet".
Kulig, et al., U.S. Appl. No. 29/200,361, filed Feb. 26, 2004, allowed May 17, 2005, entitled "Faucet".
Kulig, et al., U.S. Appl. No. 29/200,369, filed Feb. 26, 2004, entitled "Faucet".
Kulig, et al., U.S. Appl. No. 29/200,368, filed Feb. 26, 2004, allowed May 17, 2005, entitled "Faucet".
Kulig, U.S. Appl. No. 29/200,366, filed Feb. 26, 2004, allowed May 17, 2005, entitled "Faucet".
Kulig, et al., U.S. Appl. No. 29/200,365, filed Feb. 26, 2004, entitled "Faucet Handle".
Kulig, U.S. Appl. No. 29/200,423, filed Feb. 26, 2004, allowed May 17, 2005, entitled "Faucet".

* cited by examiner

Primary Examiner—Louis S. Zarfaz
Assistant Examiner—Gregory Andoll
(74) *Attorney, Agent, or Firm*—Boyle Fredrickson Newholm Stein & Gratz S.C.

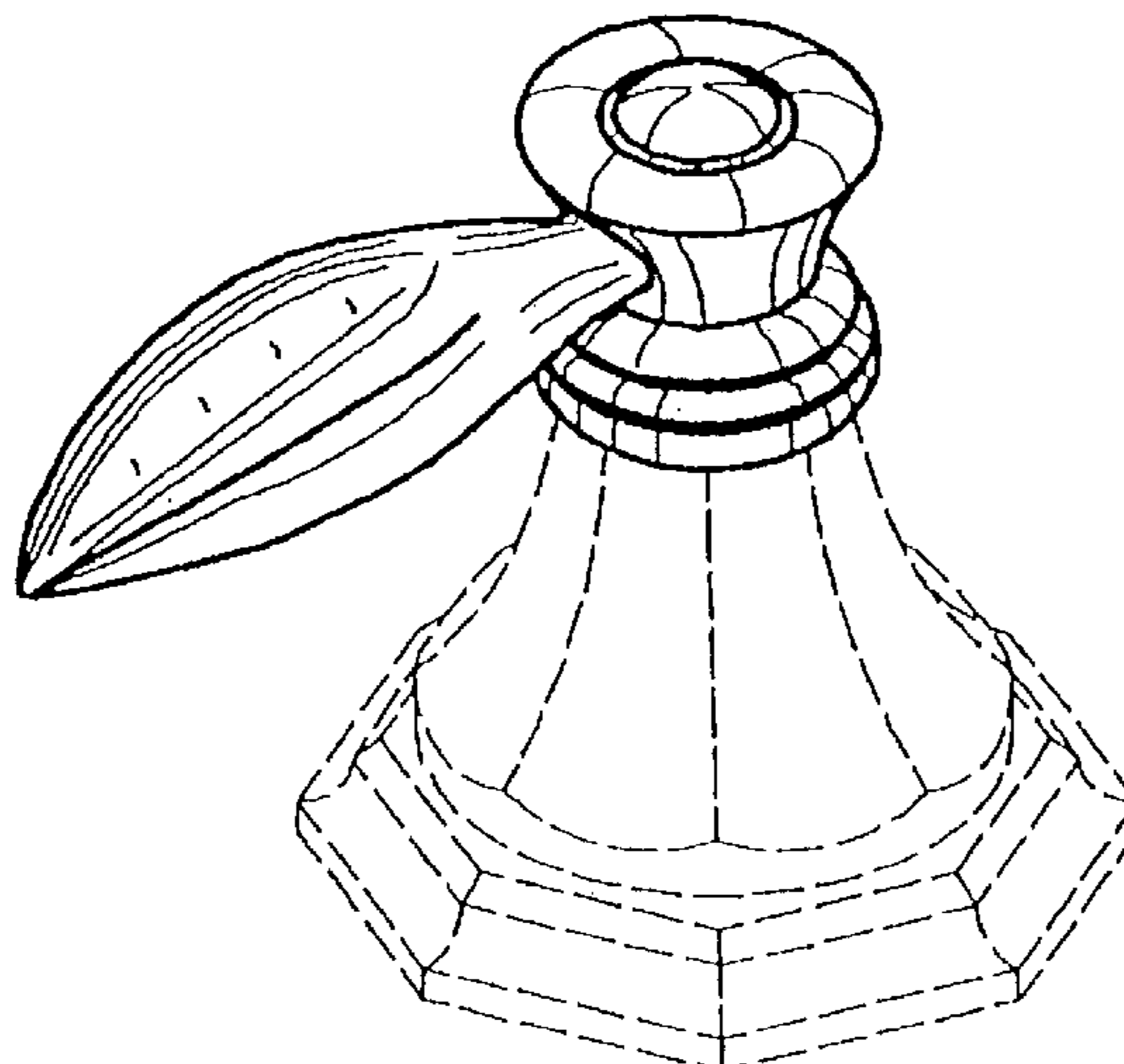
(57) **CLAIM**

The ornamental design for a faucet handle, as shown and described.

DESCRIPTION

FIG. 1 is perspective view of a faucet handle incorporating our new design, viewed from in front of, above, and from the right side of the faucet;
FIG. 2 is a front elevation view thereof;
FIG. 3 is a rear elevation view thereof;
FIG. 4 is a top plan view thereof;
FIG. 5 is a bottom plan view thereof;
FIG. 6 is a left-side elevation view thereof, with the right side being a mirror image of the left side; and,
FIG. 7 is a perspective view showing the faucet handle of FIGS. 1–6 in configuration with the remainder of a faucet in which the handle is usable.
The broken lines in FIGS. 1–7 are for illustrative purposes only and form no part of the claimed design.

1 Claim, 7 Drawing Sheets



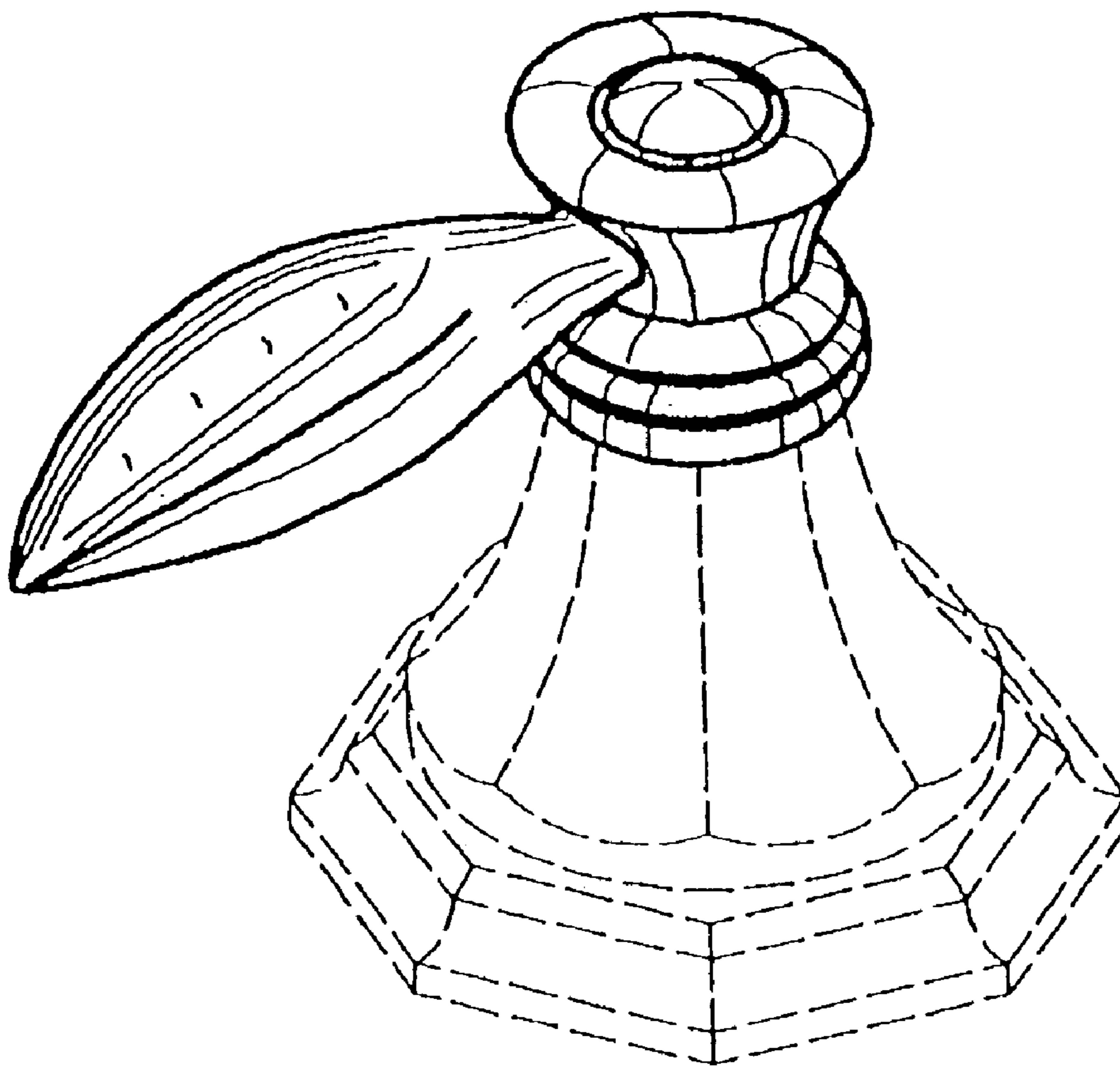


FIG. 1

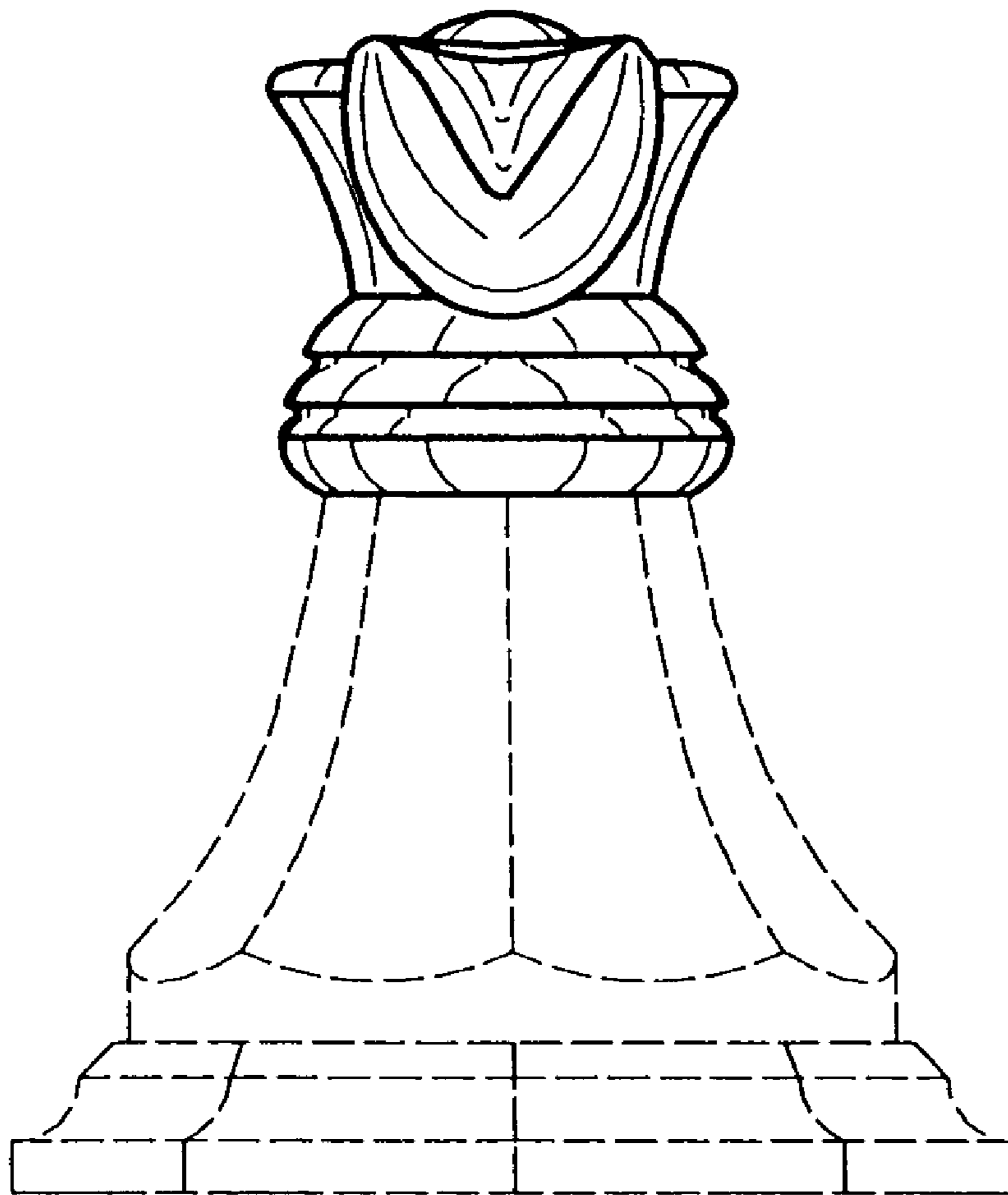


FIG. 2

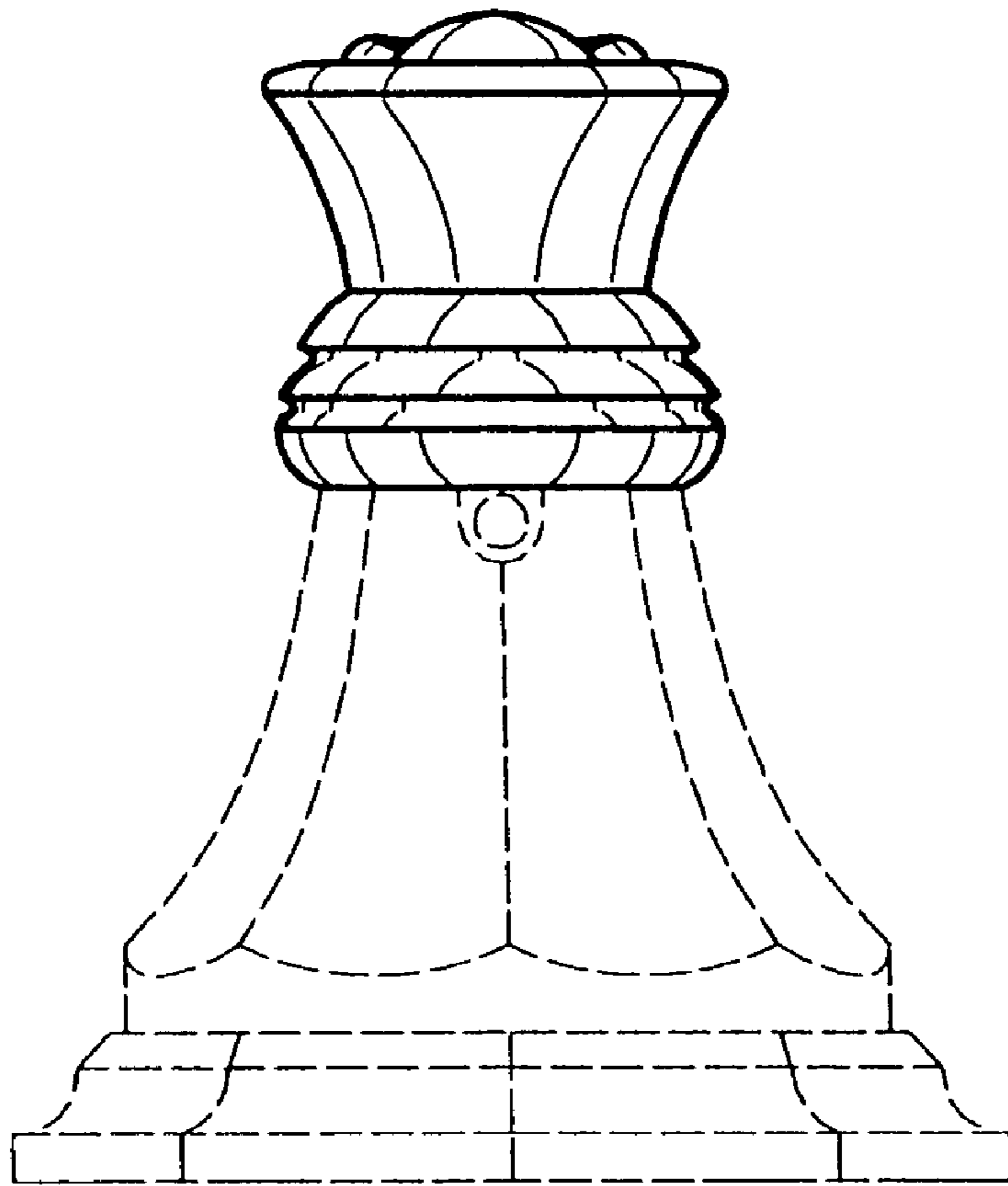


FIG. 3

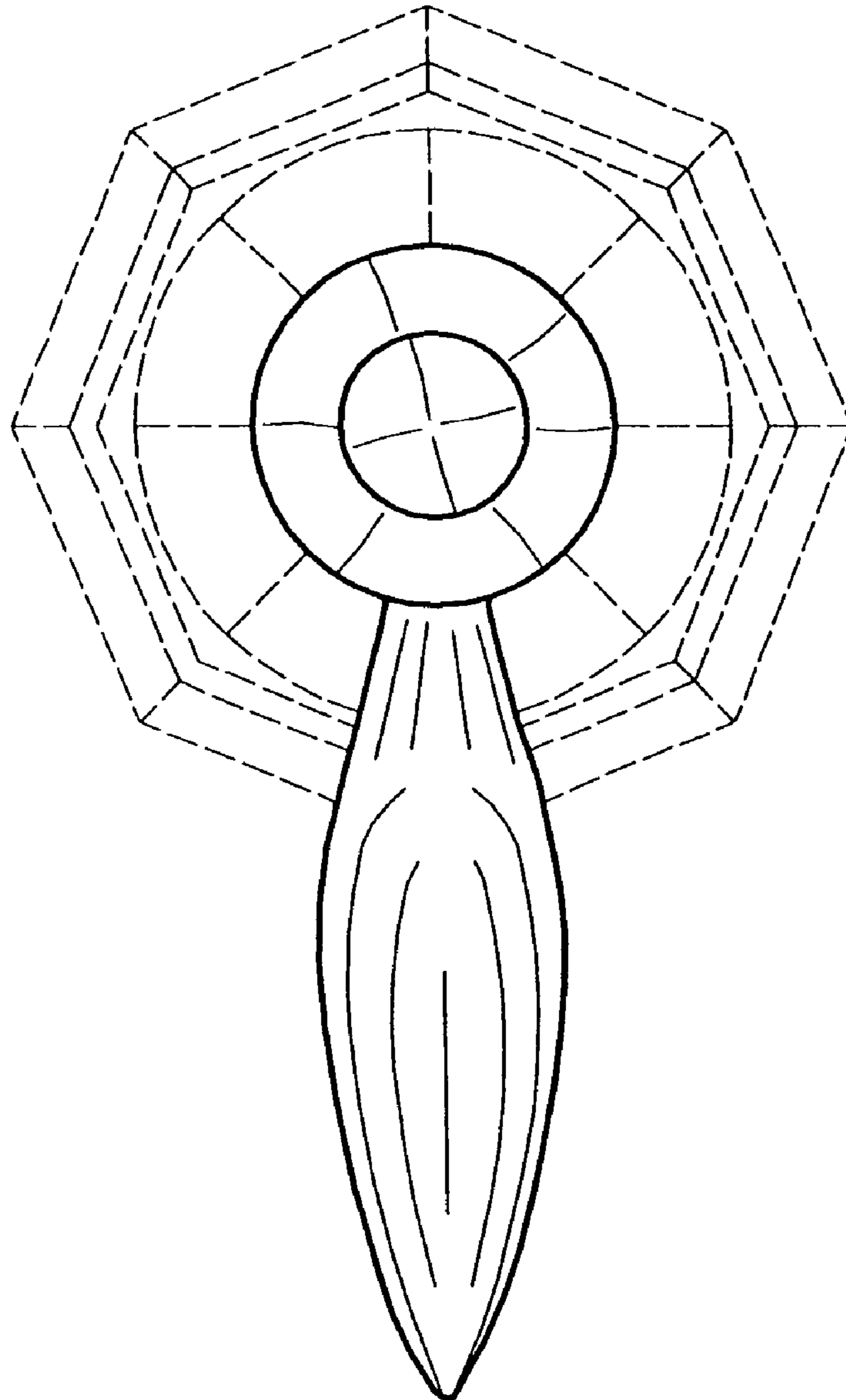


FIG. 4

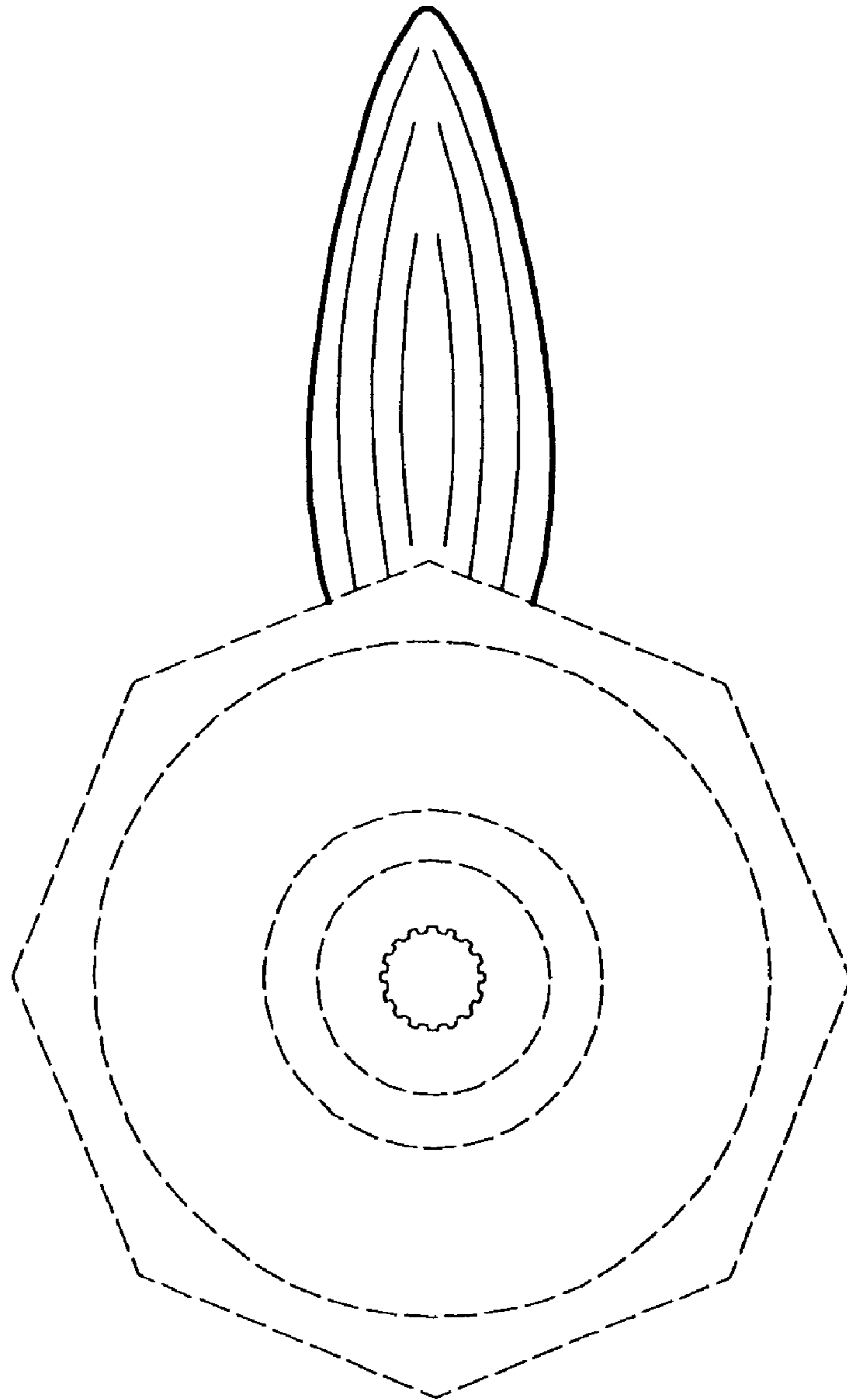


FIG. 5

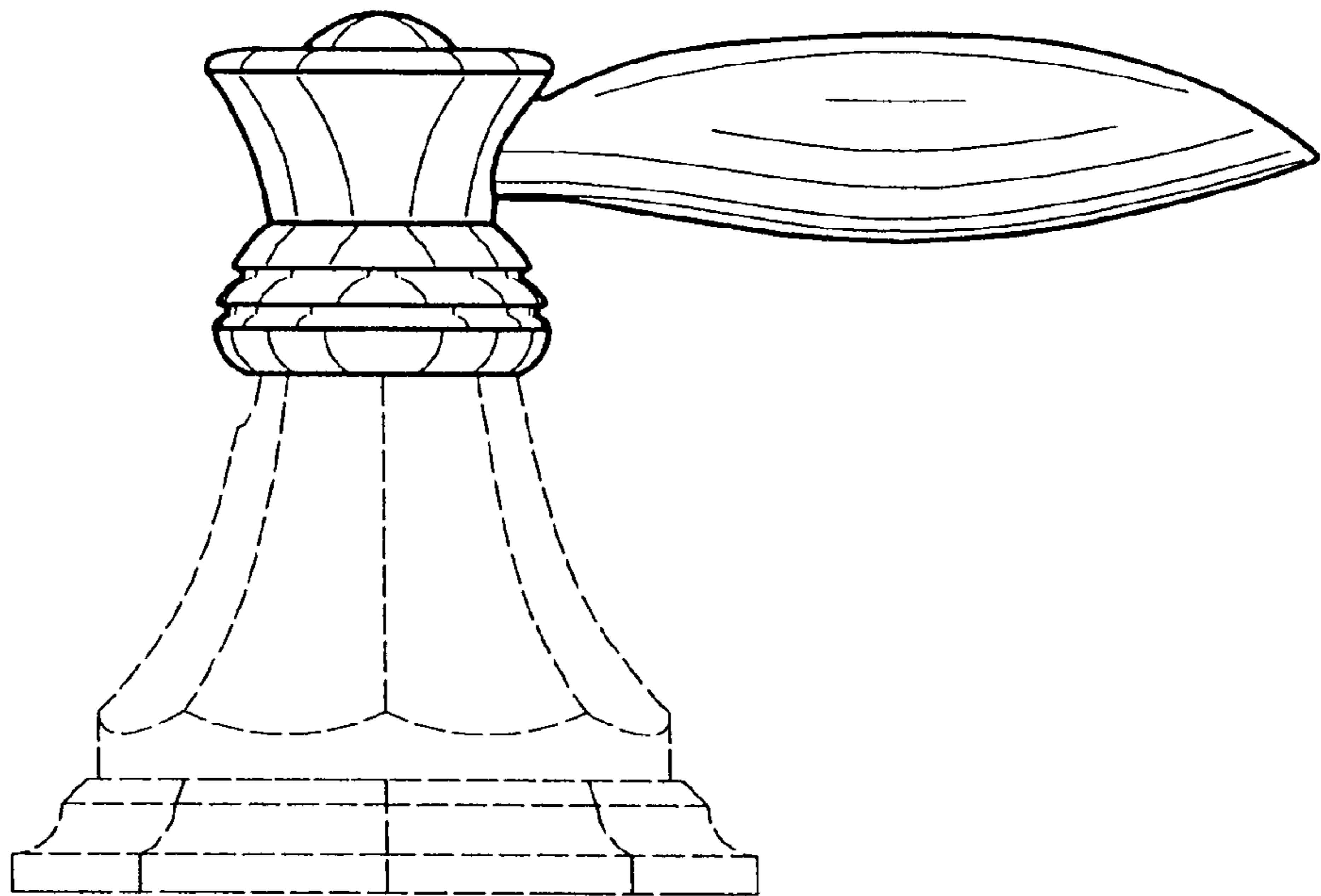


FIG. 6

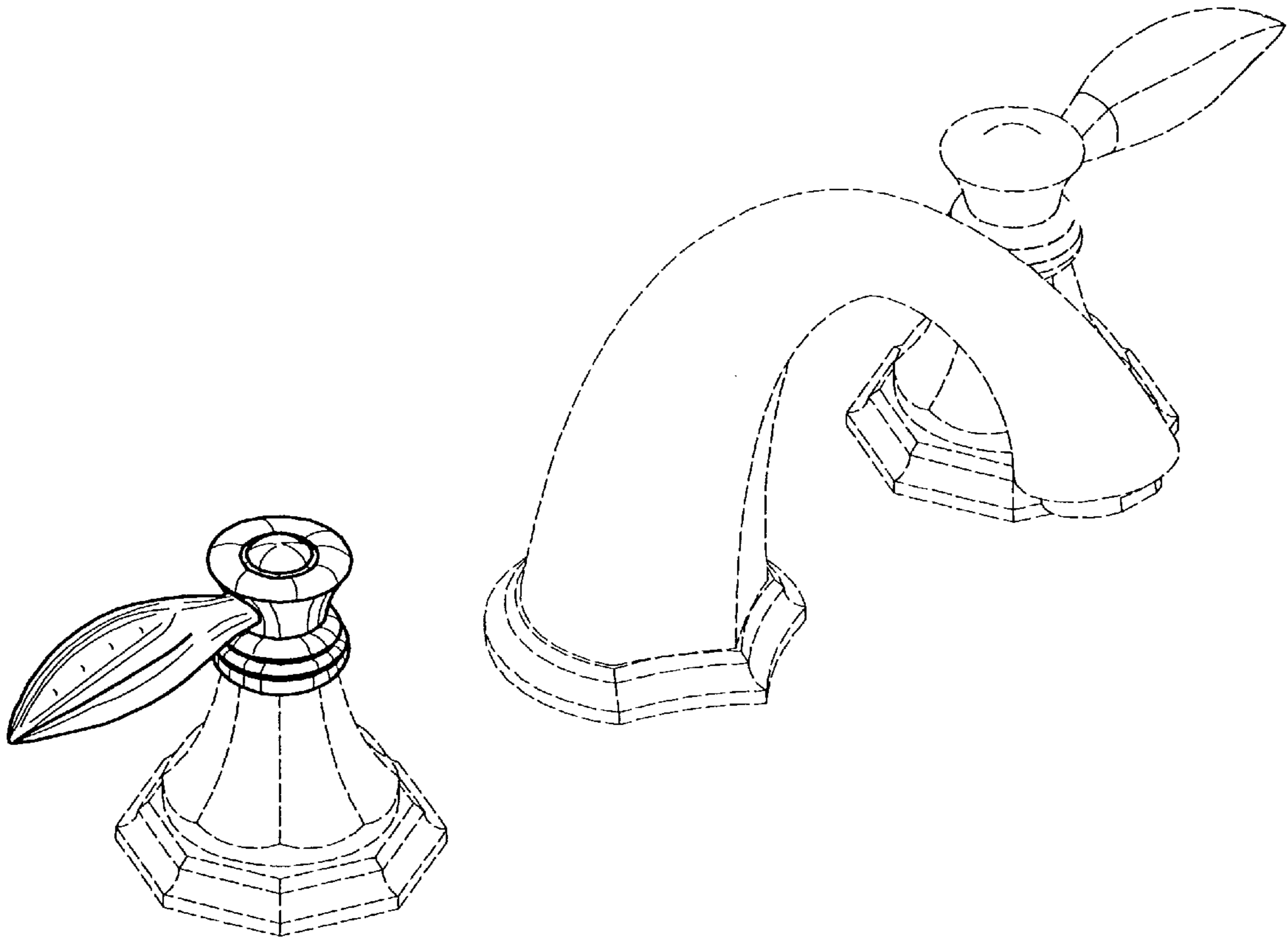


FIG. 7