



US00D527433S

(12) **United States Design Patent**  
**Hueber**

(10) **Patent No.:** **US D527,433 S**

(45) **Date of Patent:** **\*\* Aug. 29, 2006**

(54) **GOLF PUTTER HEAD**

(76) **Inventor:** **David B. Hueber**, 123 Nandina Cir.,  
Ponte Vedra Beach, FL (US) 32082

(\*\*) **Term:** **14 Years**

(21) **Appl. No.:** **29/231,982**

(22) **Filed:** **Jun. 13, 2005**

(51) **LOC (8) Cl.** ..... **21-02**

(52) **U.S. Cl.** ..... **D21/743**

(58) **Field of Classification Search** ..... D21/736-746;  
473/324-331, 251-256, 340, 341  
See application file for complete search history.

(56) **References Cited**

**U.S. PATENT DOCUMENTS**

D437,017 S	*	1/2001	Ford	.....	D21/744
D488,526 S	*	4/2004	Souza et al.	.....	D21/738
D496,418 S	*	9/2004	Tang et al.	.....	D21/738
D499,782 S	*	12/2004	Stites et al.	.....	D21/759

D500,109 S	*	12/2004	Solheim et al.	.....	D21/736
D500,110 S	*	12/2004	Solheim et al.	.....	D21/742
D507,319 S	*	7/2005	Kramski	.....	D21/744
D507,612 S	*	7/2005	Souza et al.	.....	D21/738

\* cited by examiner

*Primary Examiner*—Mitchell Siegel

(74) *Attorney, Agent, or Firm*—Thomas C. Saitta

(57) **CLAIM**

The ornamental design for a golf putter head, as shown.

**DESCRIPTION**

FIG. 1 is a perspective view of the invention.

FIG. 2 is a rear view.

FIG. 3 is a front view.

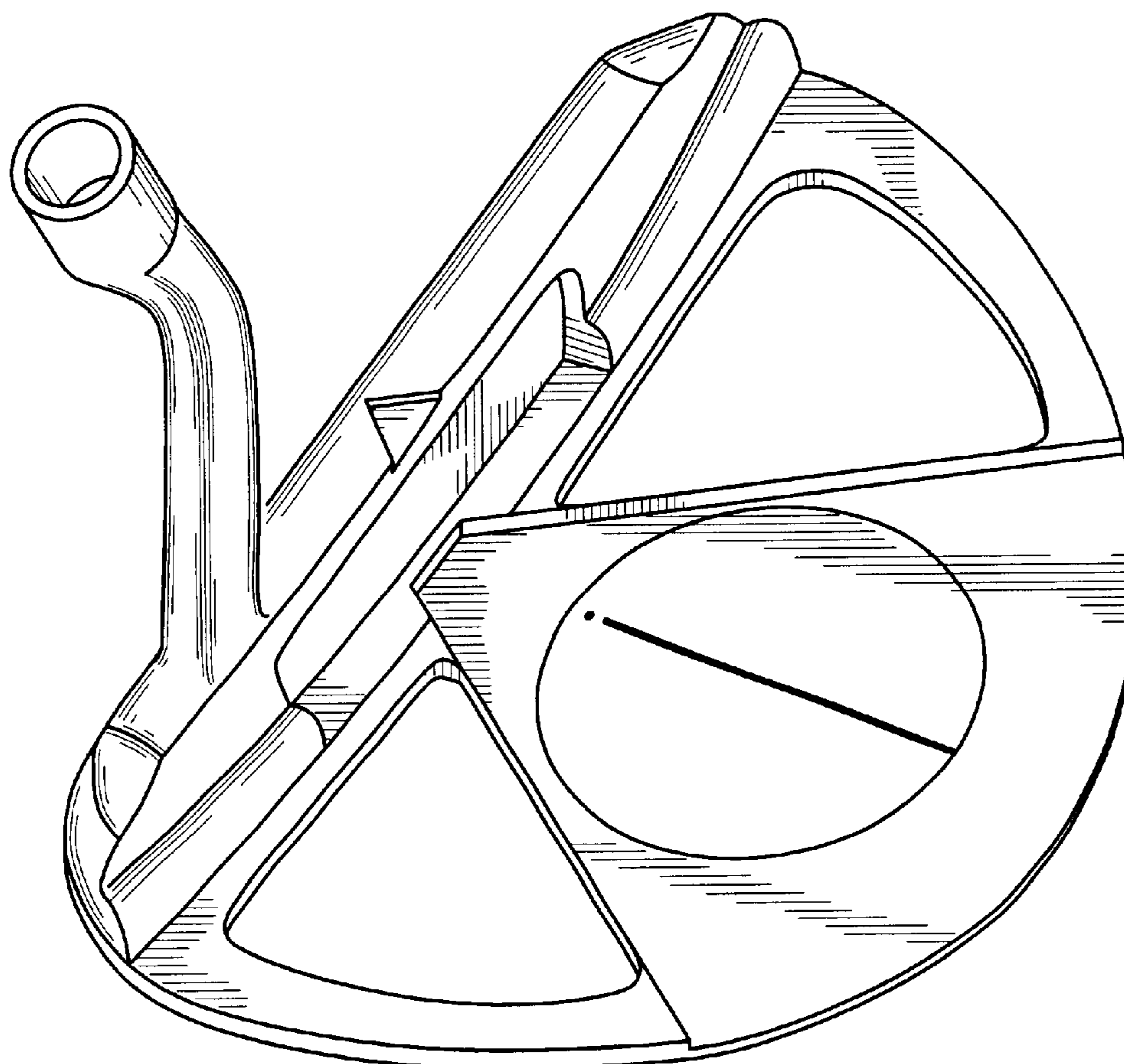
FIG. 4 is a left side view.

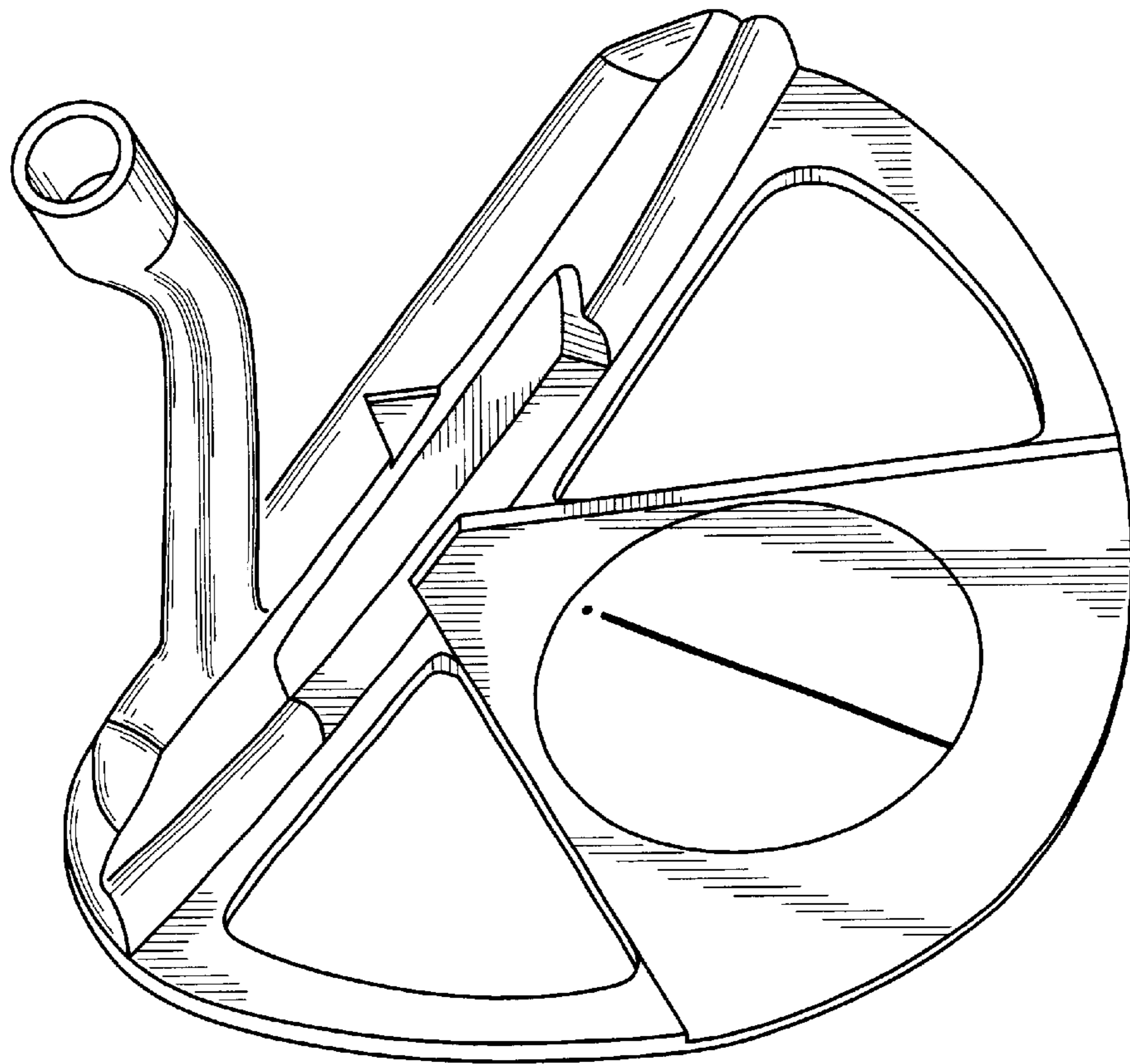
FIG. 5 is a right side view.

FIG. 6 is a top view; and,

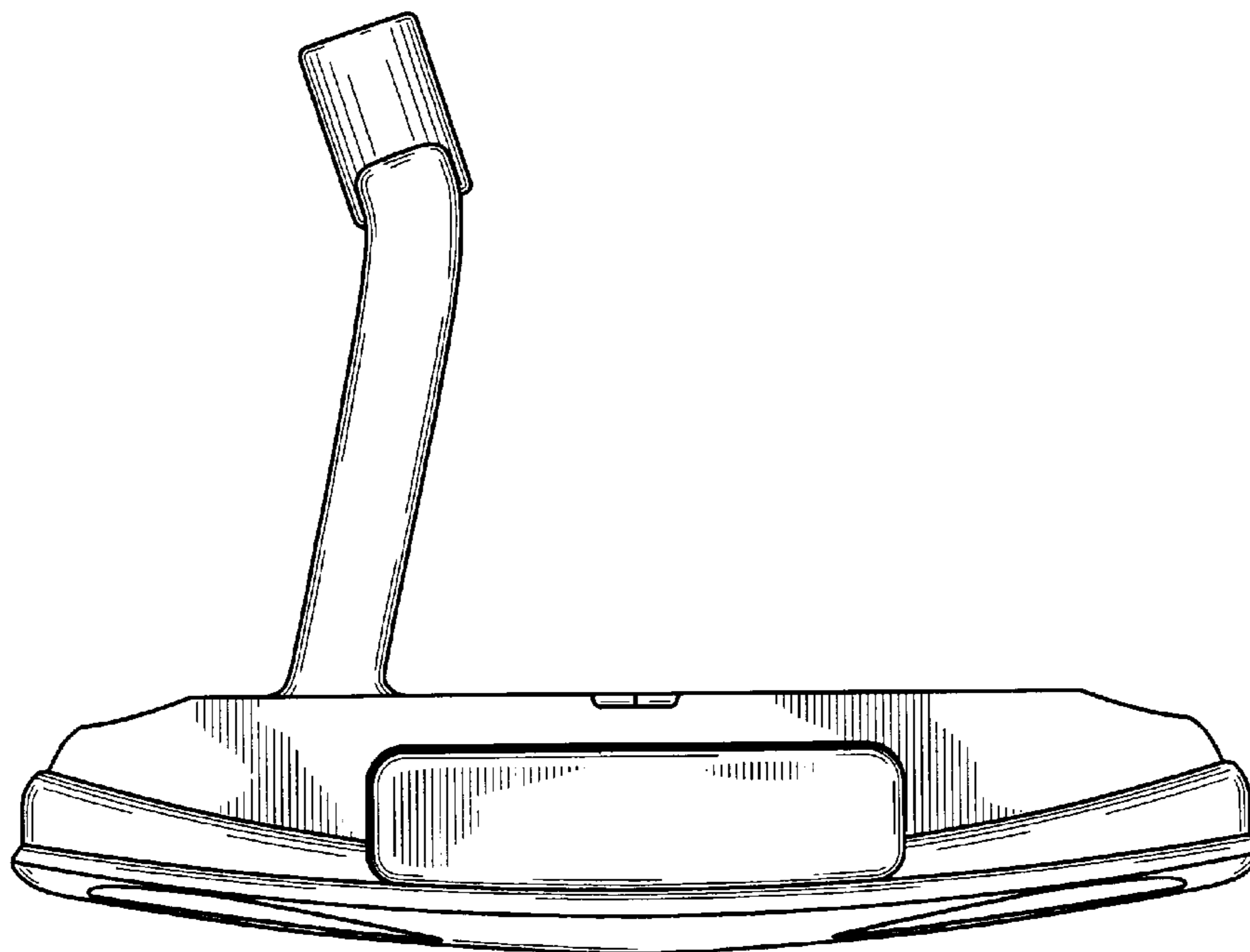
FIG. 7 is a bottom view.

**1 Claim, 4 Drawing Sheets**

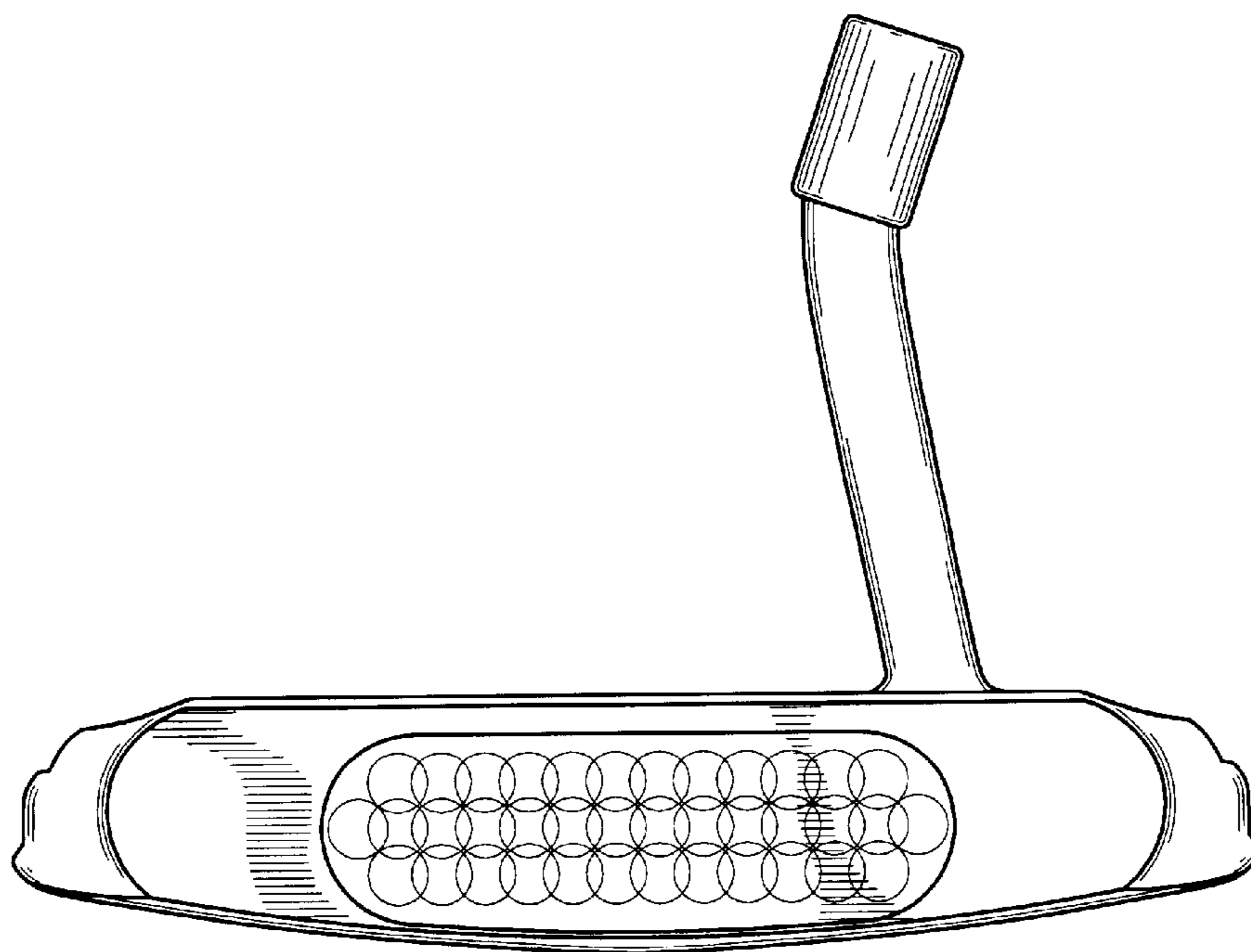




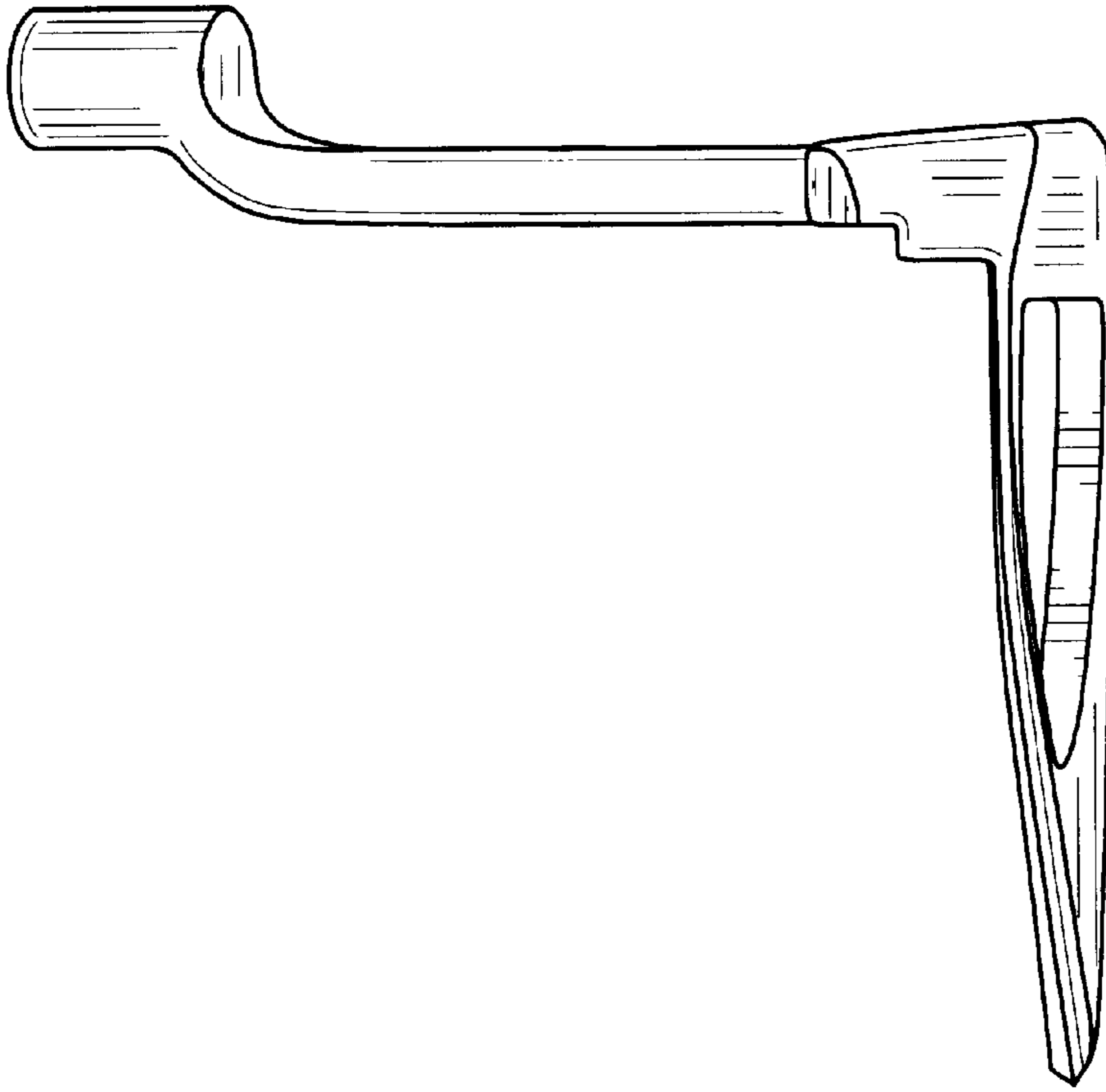
*Fig. 1*



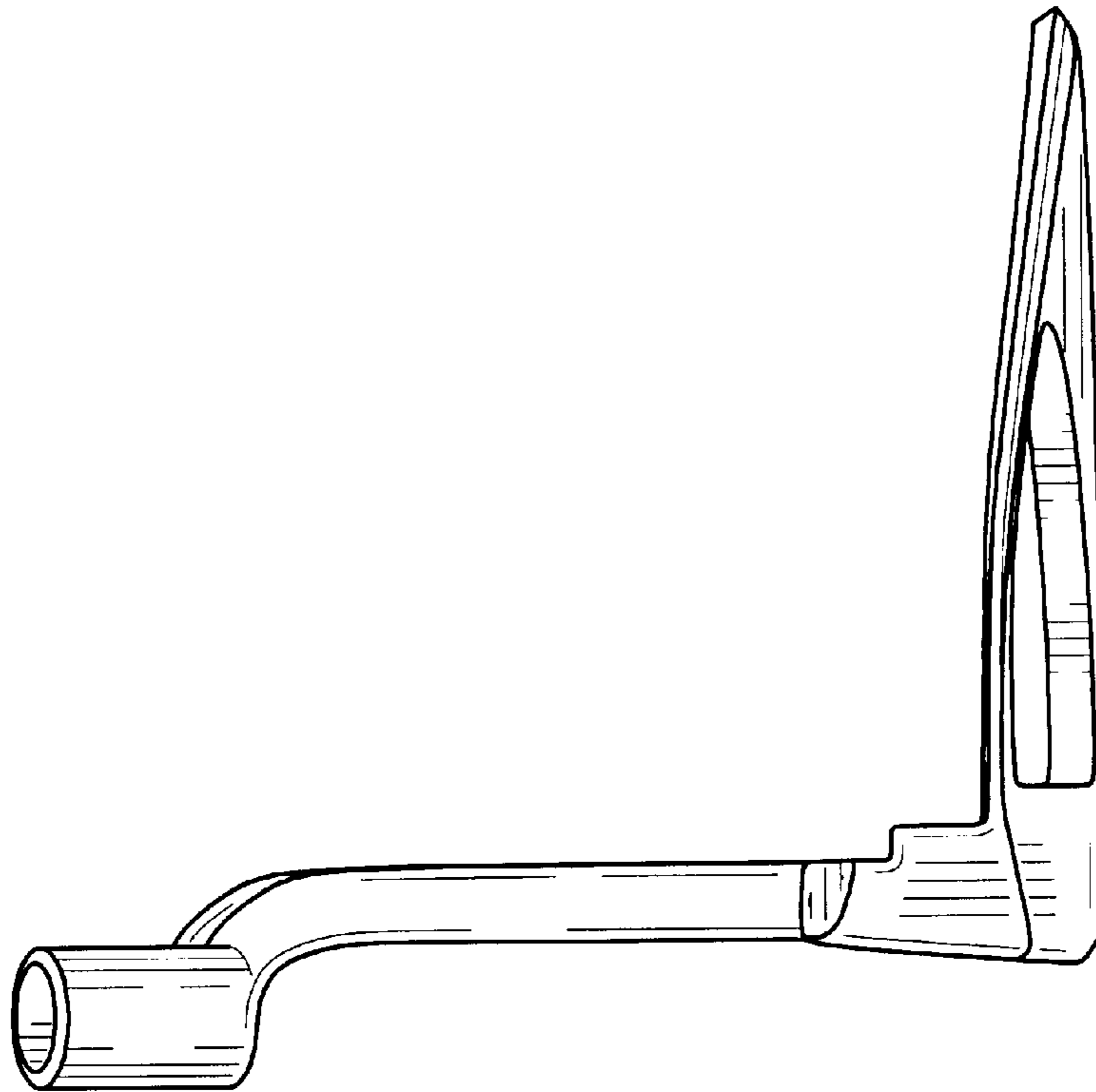
*Fig. 2*



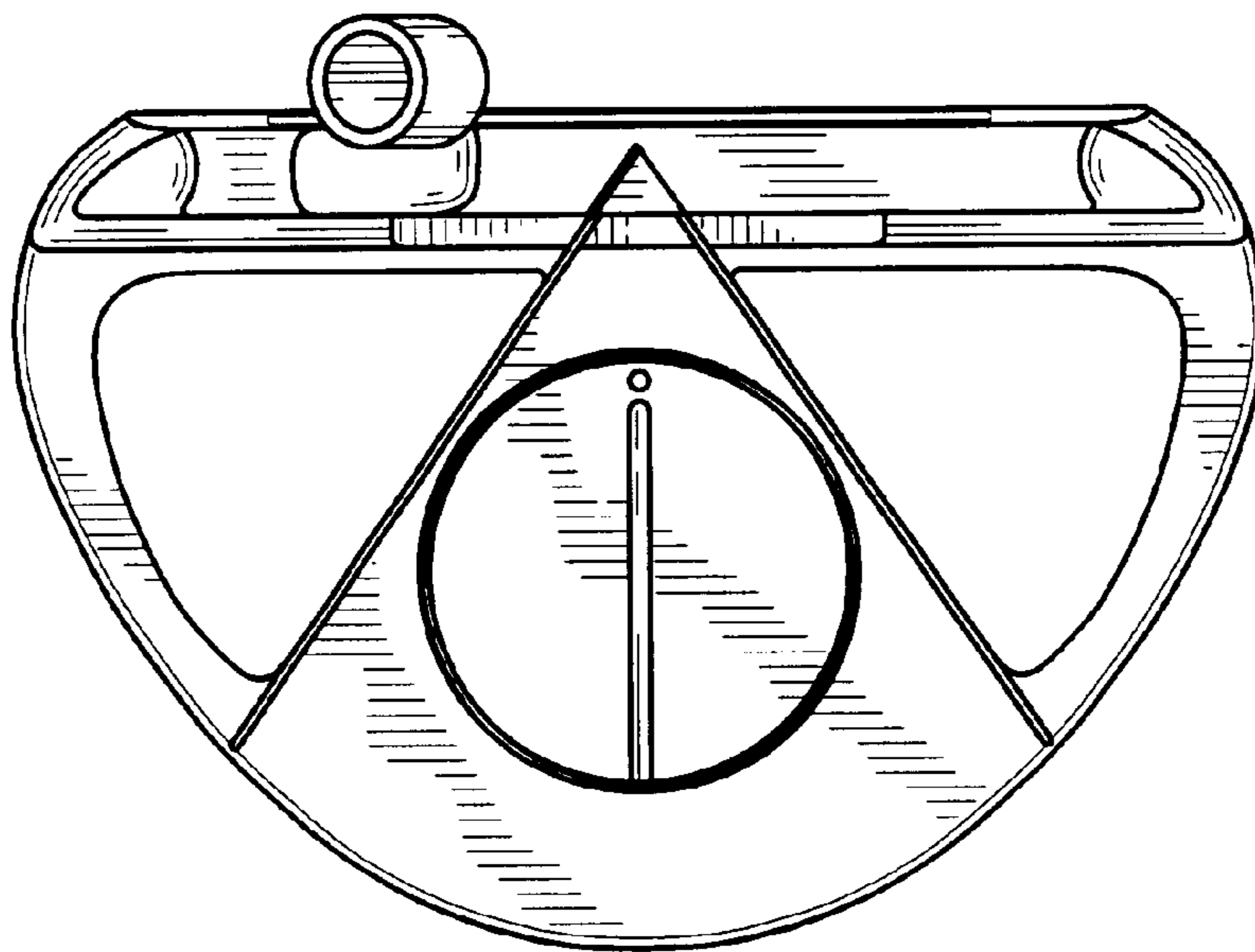
*Fig. 3*



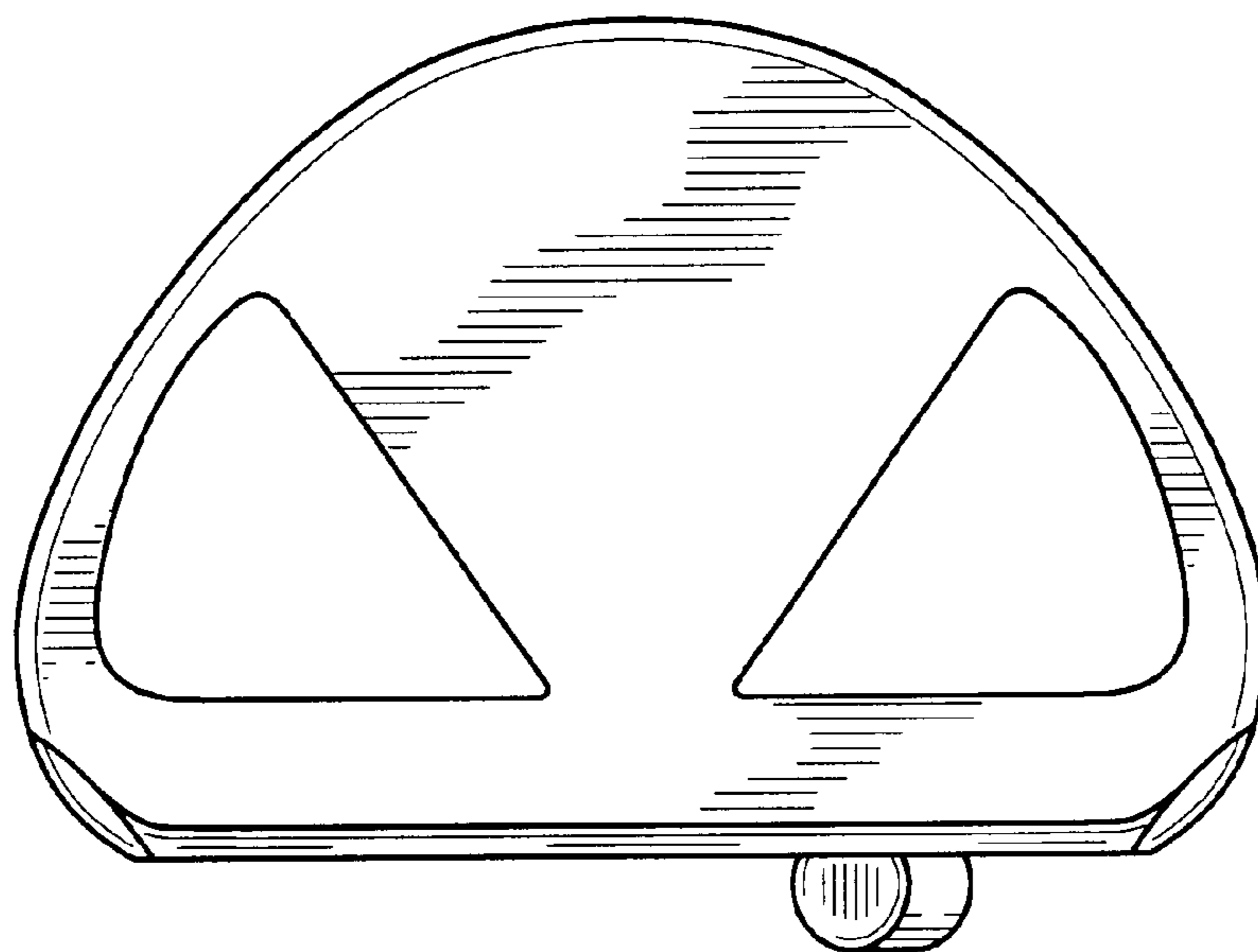
*Fig. 5*



*Fig. 4*



*Fig. 6*



*Fig. 7*