



US00D527431S

(12) **United States Design Patent**  
**Muramatsu**

(10) **Patent No.:** **US D527,431 S**

(45) **Date of Patent:** **\*\* Aug. 29, 2006**

(54) **EXERCISE DEVICE**

(75) Inventor: **Etsushi Muramatsu**, Kanagawa (JP)

(73) Assignee: **Matsushita Electric Works, Ltd.**,  
Osaka (JP)

(\*\*) Term: **14 Years**

(21) Appl. No.: **29/234,556**

(22) Filed: **Jul. 20, 2005**

(30) **Foreign Application Priority Data**

Jan. 21, 2005 (JP) ..... 2005-001479

(51) **LOC (8) Cl.** ..... **21-02**

(52) **U.S. Cl.** ..... **D21/694**

(58) **Field of Classification Search** ..... D21/662,  
D21/686, 690; D6/349, 662; D24/183; 472/96,  
472/97; 446/313; 482/142

See application file for complete search history.

(56) **References Cited**

**U.S. PATENT DOCUMENTS**

- 4,519,787 A \* 5/1985 Williams ..... 446/313
- 5,085,425 A \* 2/1992 Collins et al. .... 472/97
- D351,742 S \* 10/1994 Phleps et al. .... D6/367
- D440,264 S \* 4/2001 Venhuizen ..... D21/690
- D459,419 S \* 6/2002 Nishiyama et al. .... D21/686
- D507,312 S \* 7/2005 Nishiyama et al. .... D21/690

D512,755 S \* 12/2005 Nishiyama et al. .... D21/690

\* cited by examiner

*Primary Examiner*—Philip S. Hyder

(74) *Attorney, Agent, or Firm*—Osha Liang LLP

(57) **CLAIM**

The ornamental design for an exercise device, as shown and described.

**DESCRIPTION**

FIG. 1 is a front, perspective view of the design according to the invention.

FIG. 2 is a rear, perspective view of the design according to the invention.

FIG. 3 is a front view of the design according to the invention.

FIG. 4 is a right side view of the design according to the invention.

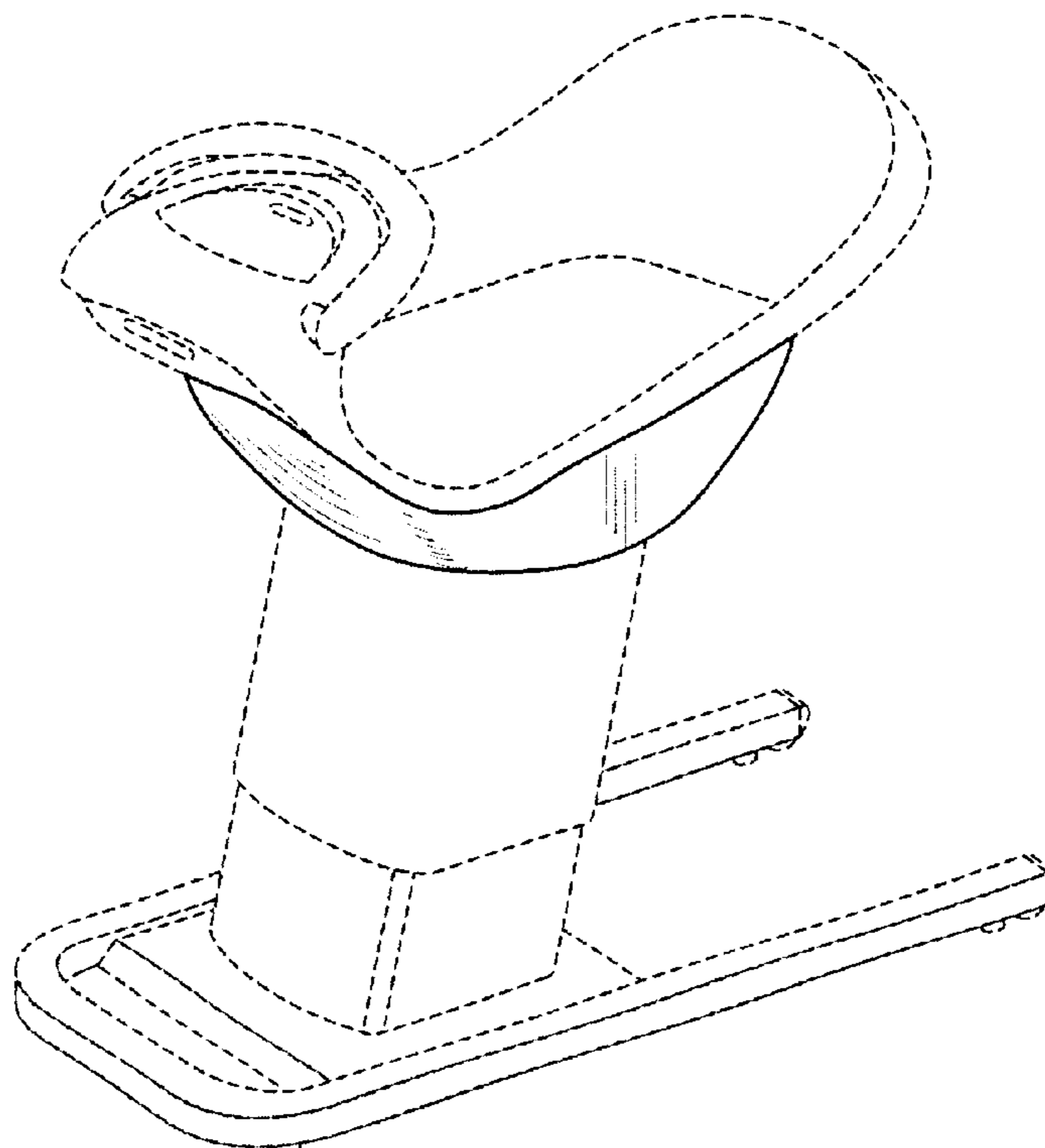
FIG. 5 is a bottom view of the design according to the invention.

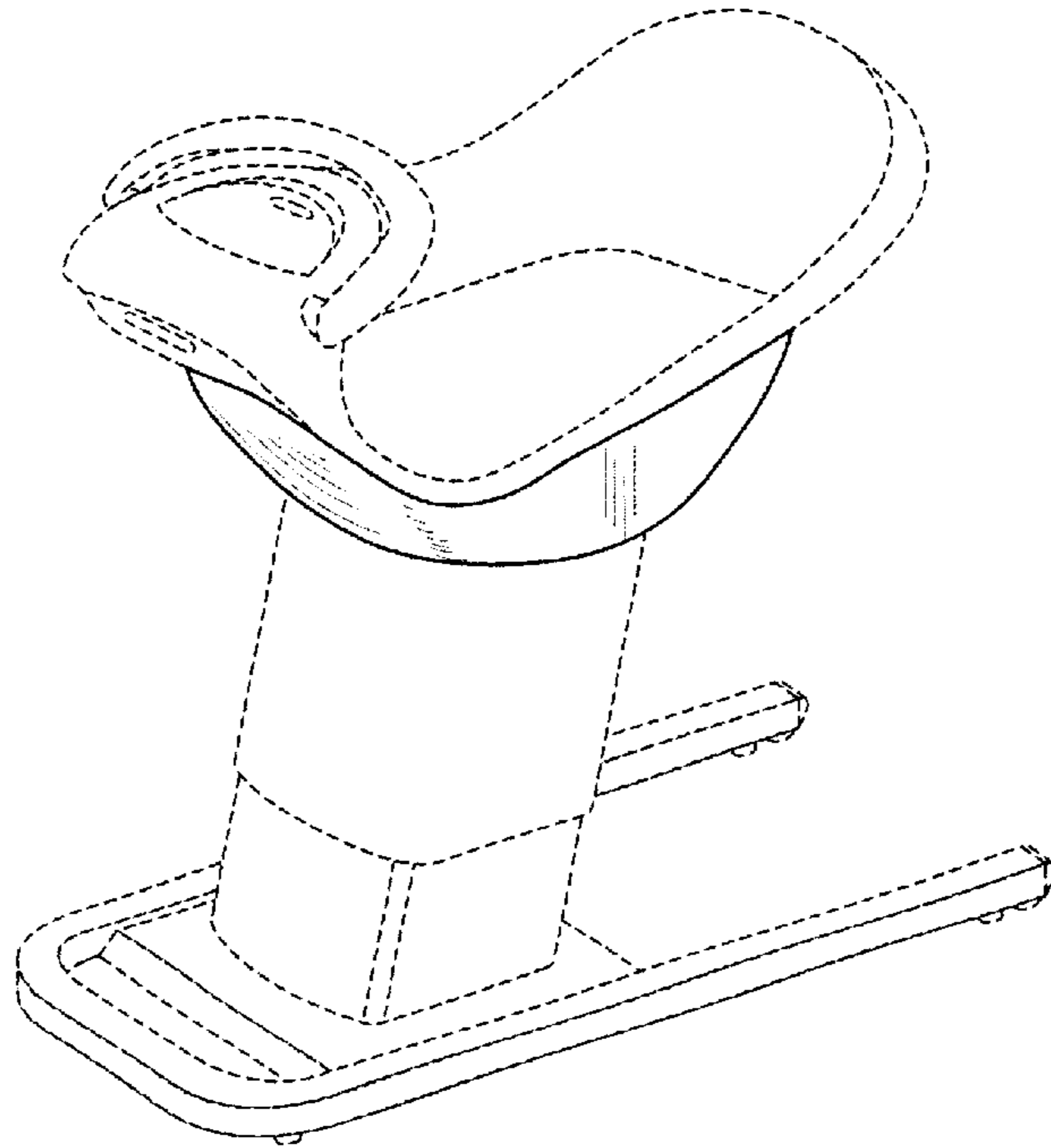
FIG. 6 is a left side view of the design according to the invention.

FIG. 7 is another front, perspective view of the design according to the invention; and,

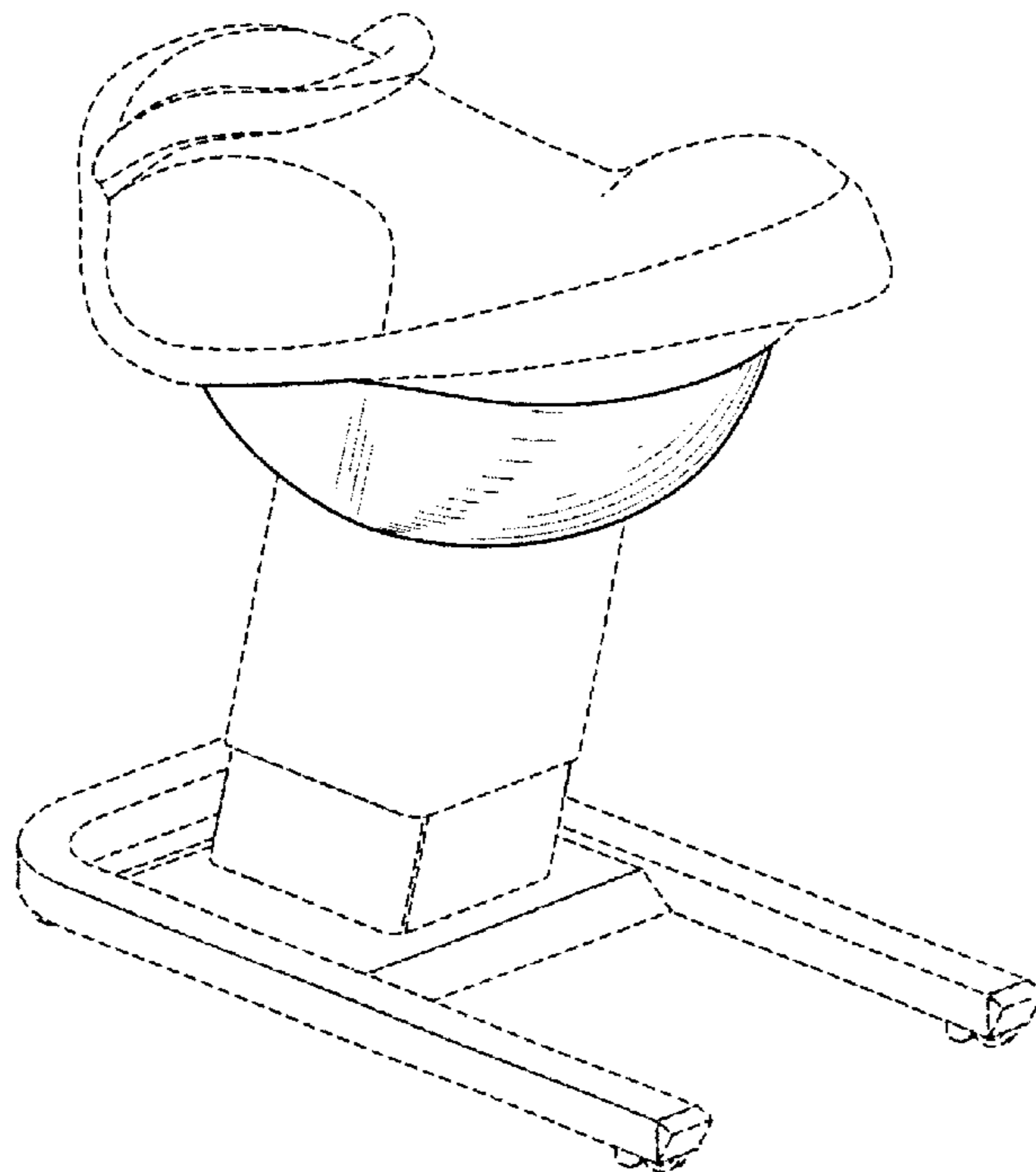
FIG. 8 is a rear view of the design according to the invention. The portions in even broken lines are for illustrative purposes only and form no part of the claimed design.

**1 Claim, 4 Drawing Sheets**

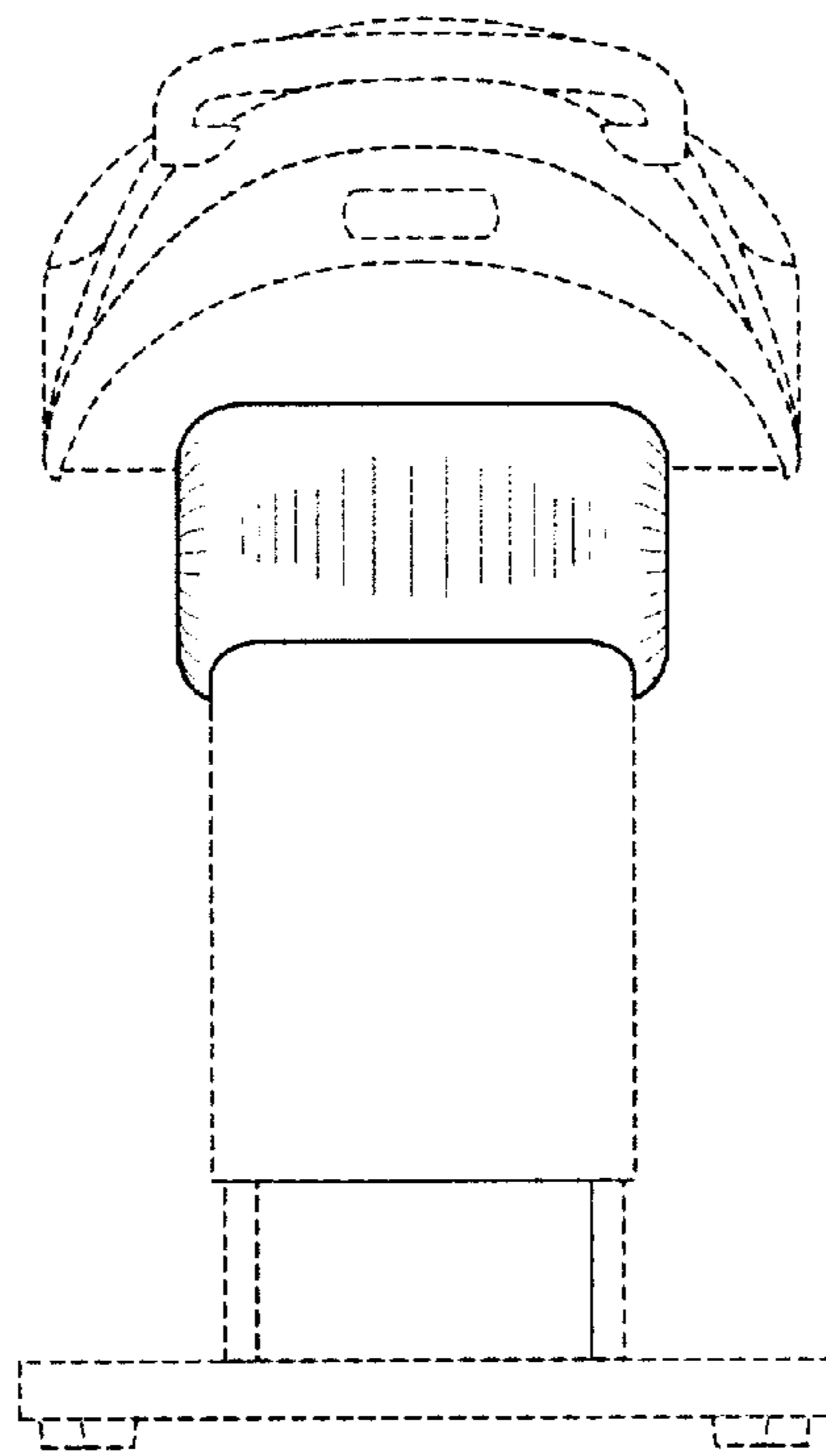




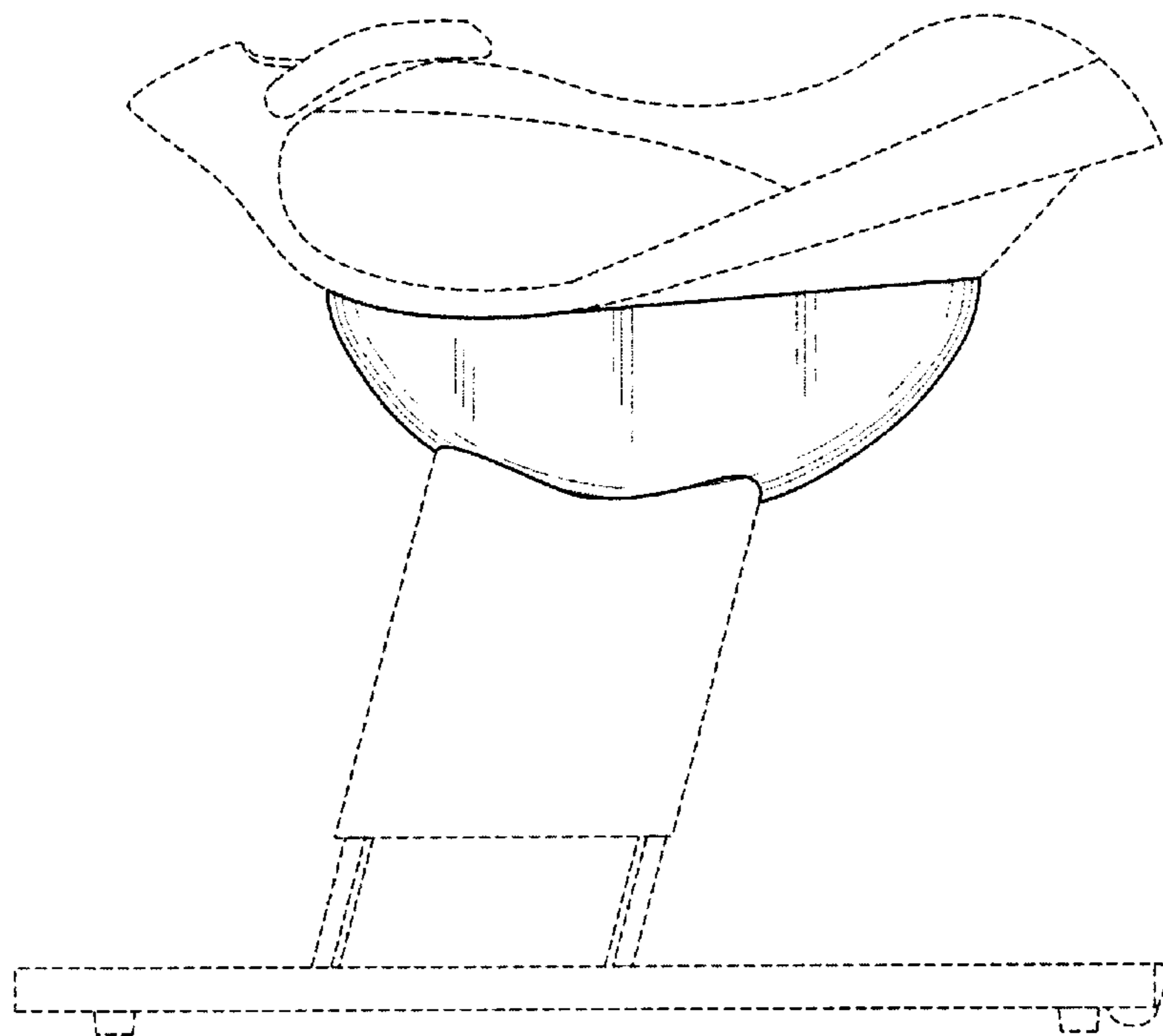
**FIG. 1**



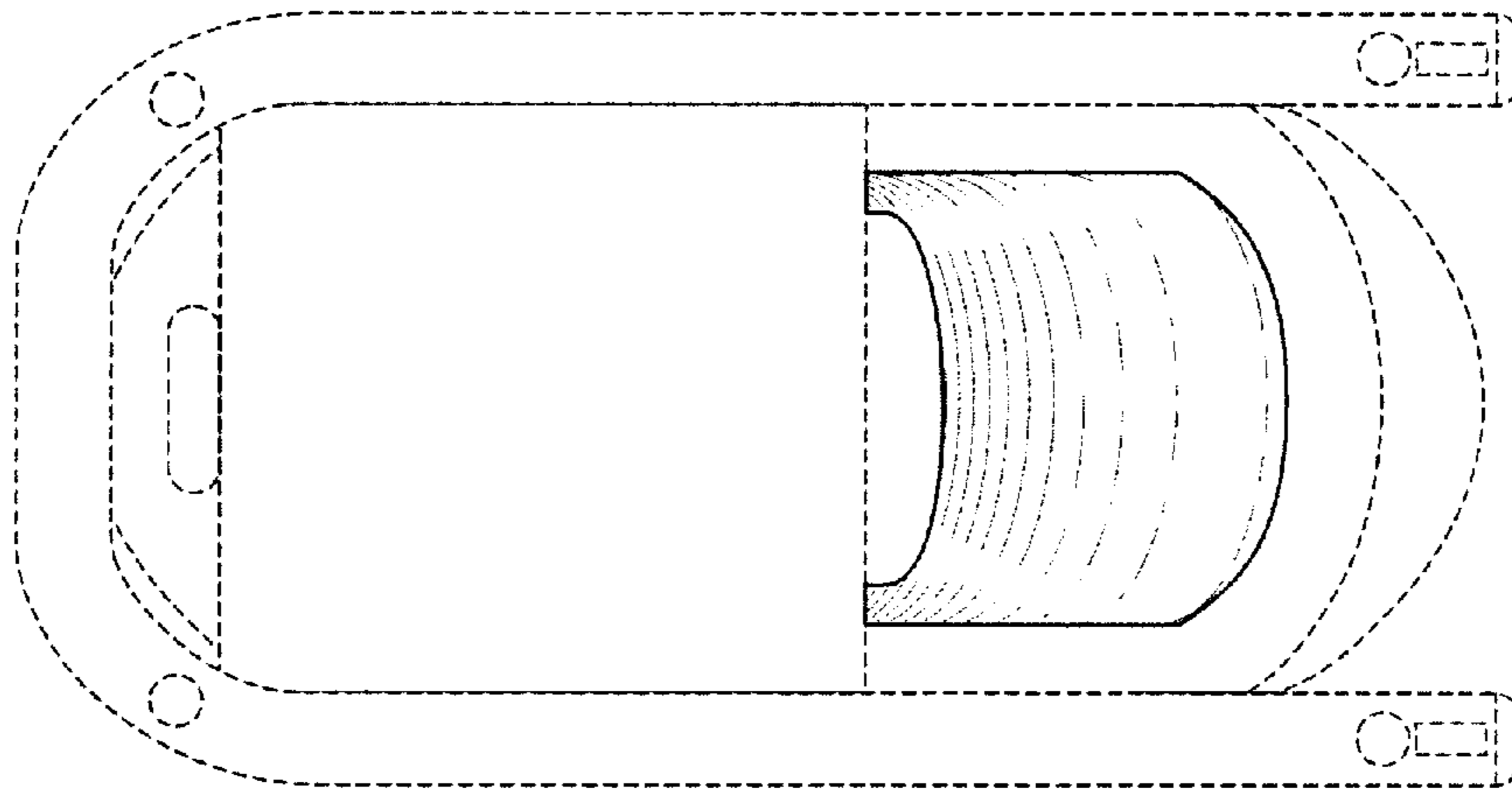
**FIG. 2**



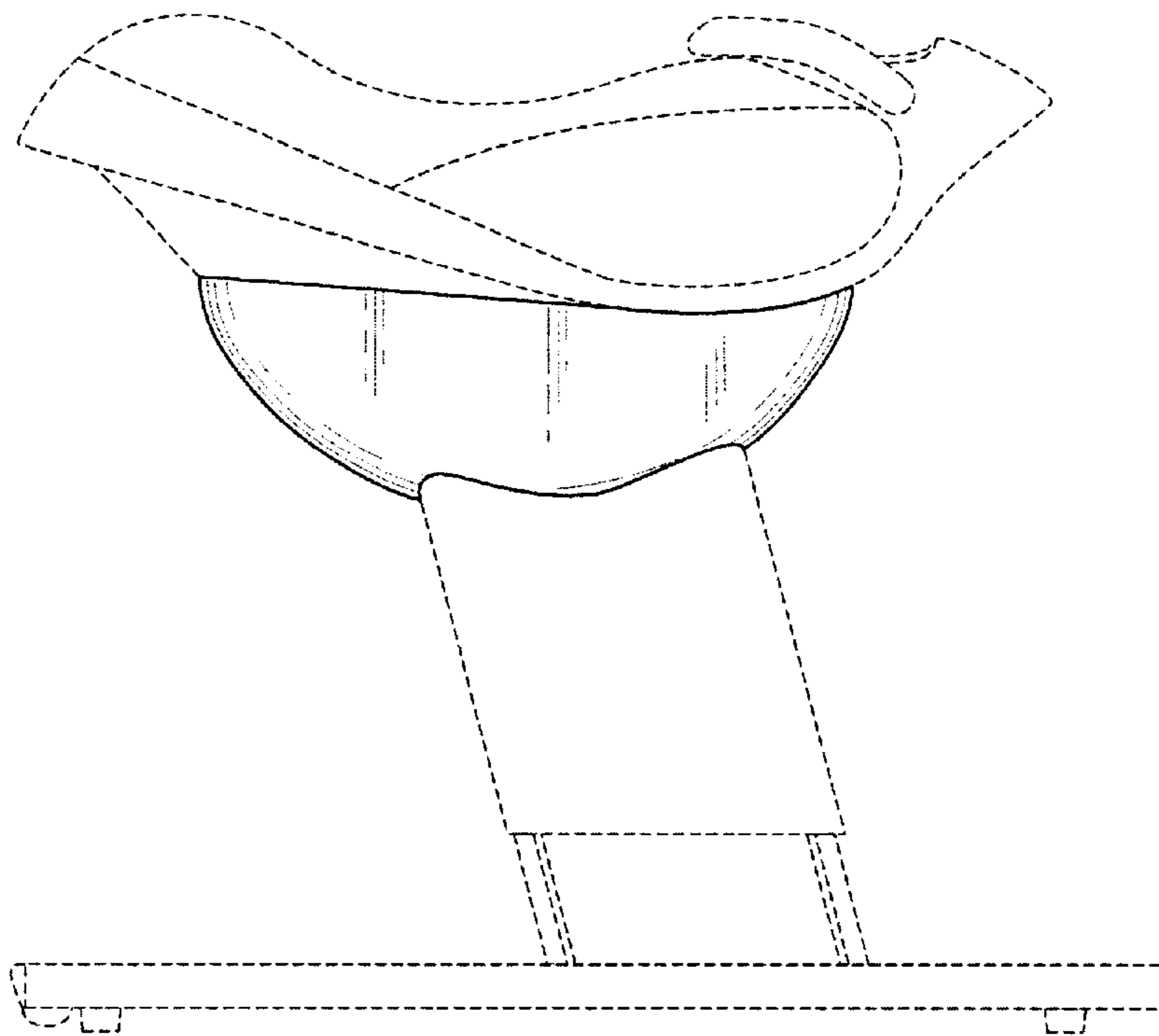
**FIG. 3**



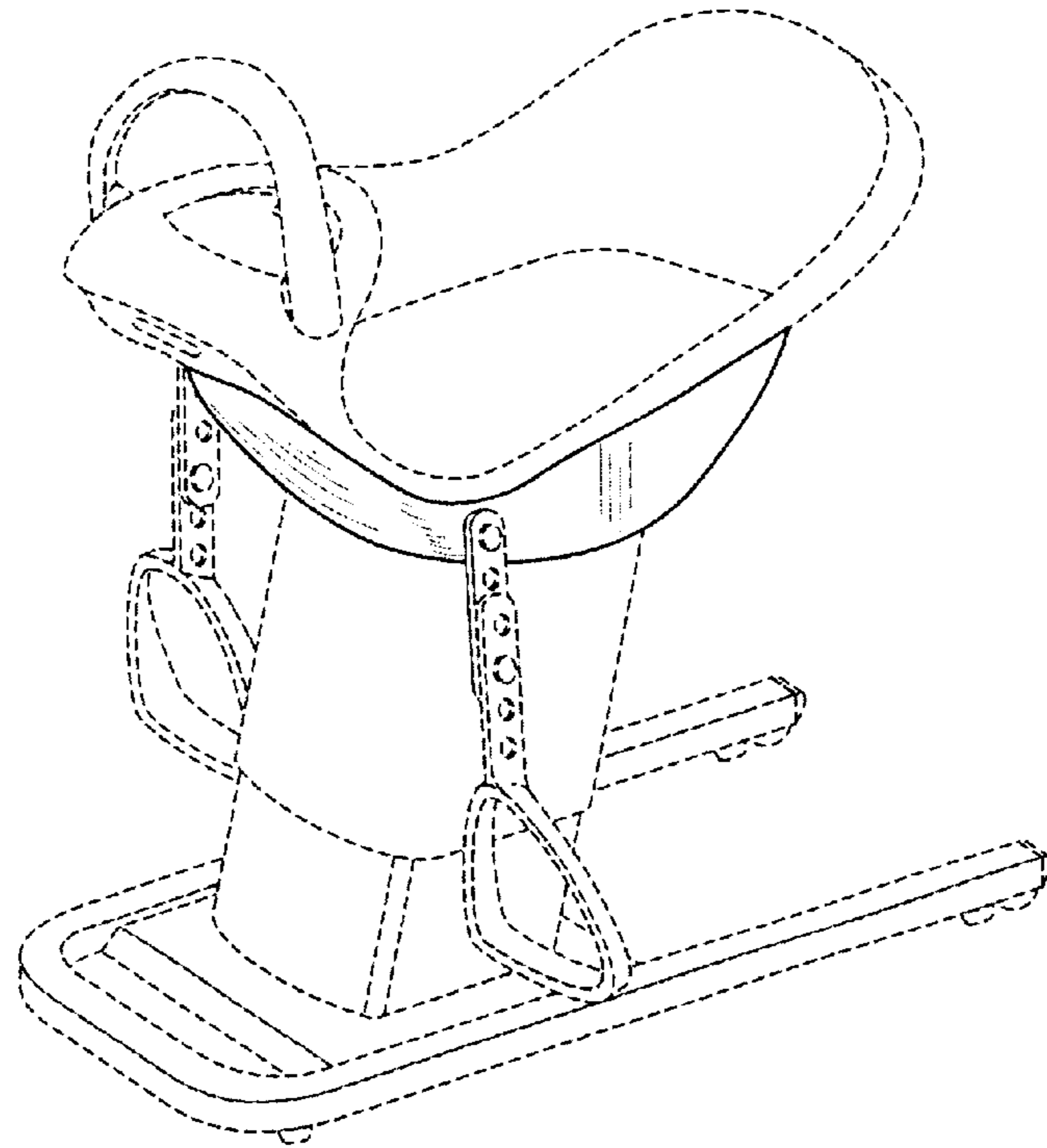
**FIG. 4**



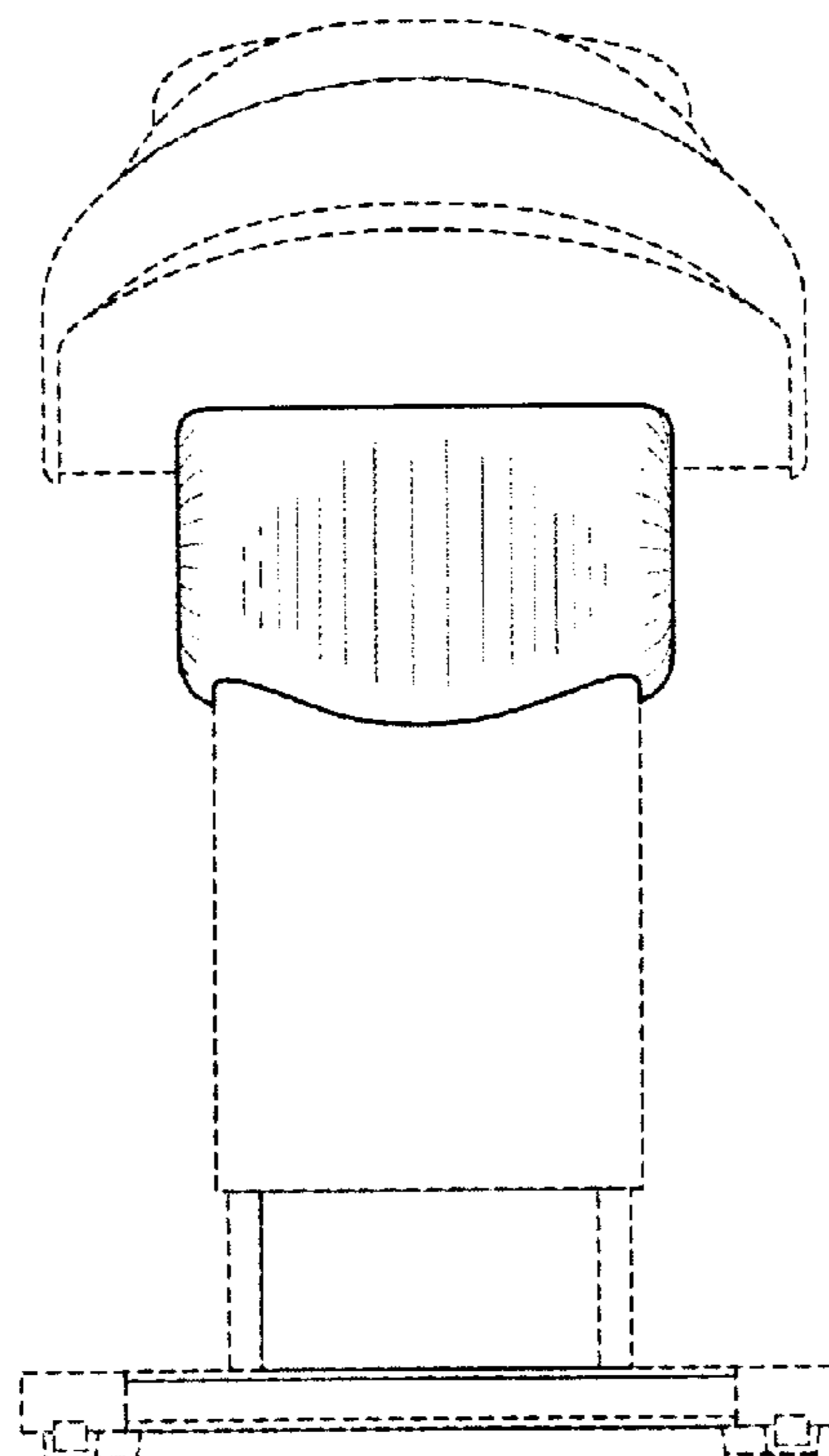
**FIG. 5**



**FIG. 6**



**FIG. 7**



**FIG. 8**