

US00D527430S

(12) **United States Design Patent** (10) **Patent No.:** **US D527,430 S**
Bulloch et al. (45) **Date of Patent:** **** Aug. 29, 2006**

(54) **EXERCISE APPARATUS**

(76) Inventors: **Ron C. Bulloch**, 6134 Eagle Creek Dr., Fort Wayne, IN (US) 46814; **Richard Ledellaytner**, 311 Downs Rd., Bethany, CT (US) 06524; **Thomas L. Simmel**, 44 Booras La., Milford, CT (US) 06460

(**) Term: **14 Years**

(21) Appl. No.: **29/231,876**

(22) Filed: **Jun. 10, 2005**

(51) **LOC (8) Cl.** **21-02**

(52) **U.S. Cl.** **D21/691; D21/686**

(58) **Field of Classification Search** D21/662, D21/673, 676, 686, 691; 482/129, 133, 138
See application file for complete search history.

(56) **References Cited**

U.S. PATENT DOCUMENTS

760,374	A	*	5/1904	Belvoir	482/129
5,013,035	A	*	5/1991	Nathaniel	482/129
D330,397	S	*	10/1992	Zimmerman	D21/672
5,399,139	A	*	3/1995	Malynowsky	482/129
5,468,205	A	*	11/1995	McFall et al.	482/129
5,586,962	A	*	12/1996	Hallmark	482/129
6,322,483	B1	*	11/2001	Rotella	482/129
6,494,817	B1	*	12/2002	Lake	482/93
2003/0158024	A1	*	8/2003	Saure	482/126
2004/0072663	A1	*	4/2004	Ardito	482/121

OTHER PUBLICATIONS

The Power Vertex from the 2006 online catalog of Twist Conditioning's products. Downloaded Mar. 14, 2006 at <http://www.athleteconditioning.com/securestore/c53167.2.html>. (No earlier date available through www.webarchive.org).*

* cited by examiner

Primary Examiner—Philip S. Hyder
Assistant Examiner—RoseLynne (Ulm) Cody
(74) *Attorney, Agent, or Firm*—Melvin I. Stoltz

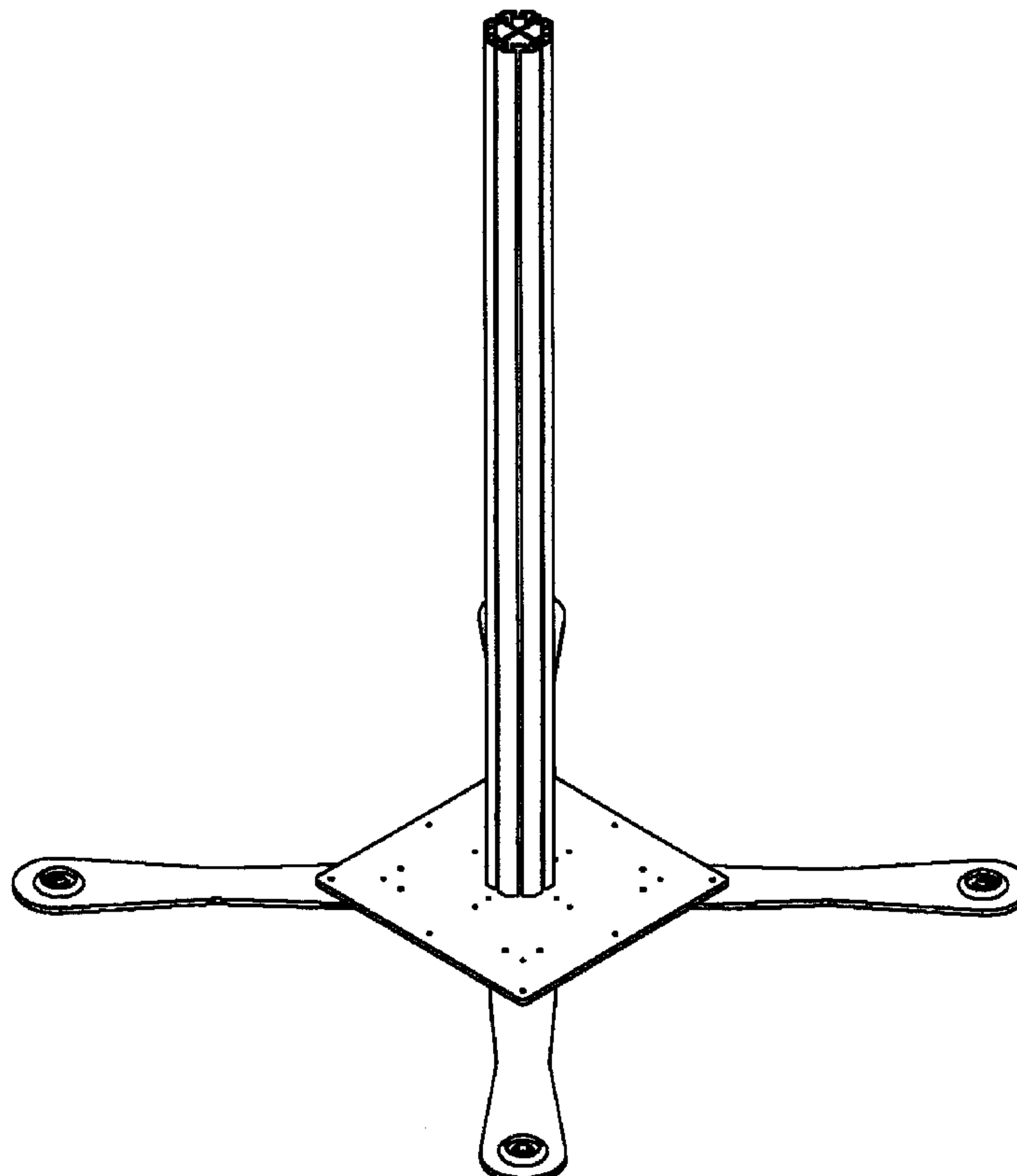
(57) **CLAIM**

The ornamental design for an exercise apparatus, as shown and described.

DESCRIPTION

FIG. 1 is an isometric view of the exercise apparatus showing our new design;
FIG. 2 is a side elevational view thereof, each of the other sides being identical in appearance;
FIG. 3 is a top plan view thereof;
FIG. 4 is an enlarged view of the top of the post of the exercise apparatus showing our new design; and,
FIG. 5 is side elevational view thereof, rotated at a 45° angle. The broken line showing in FIG. 1 is for illustrative purposes only and forms no part of the claimed design.

1 Claim, 4 Drawing Sheets



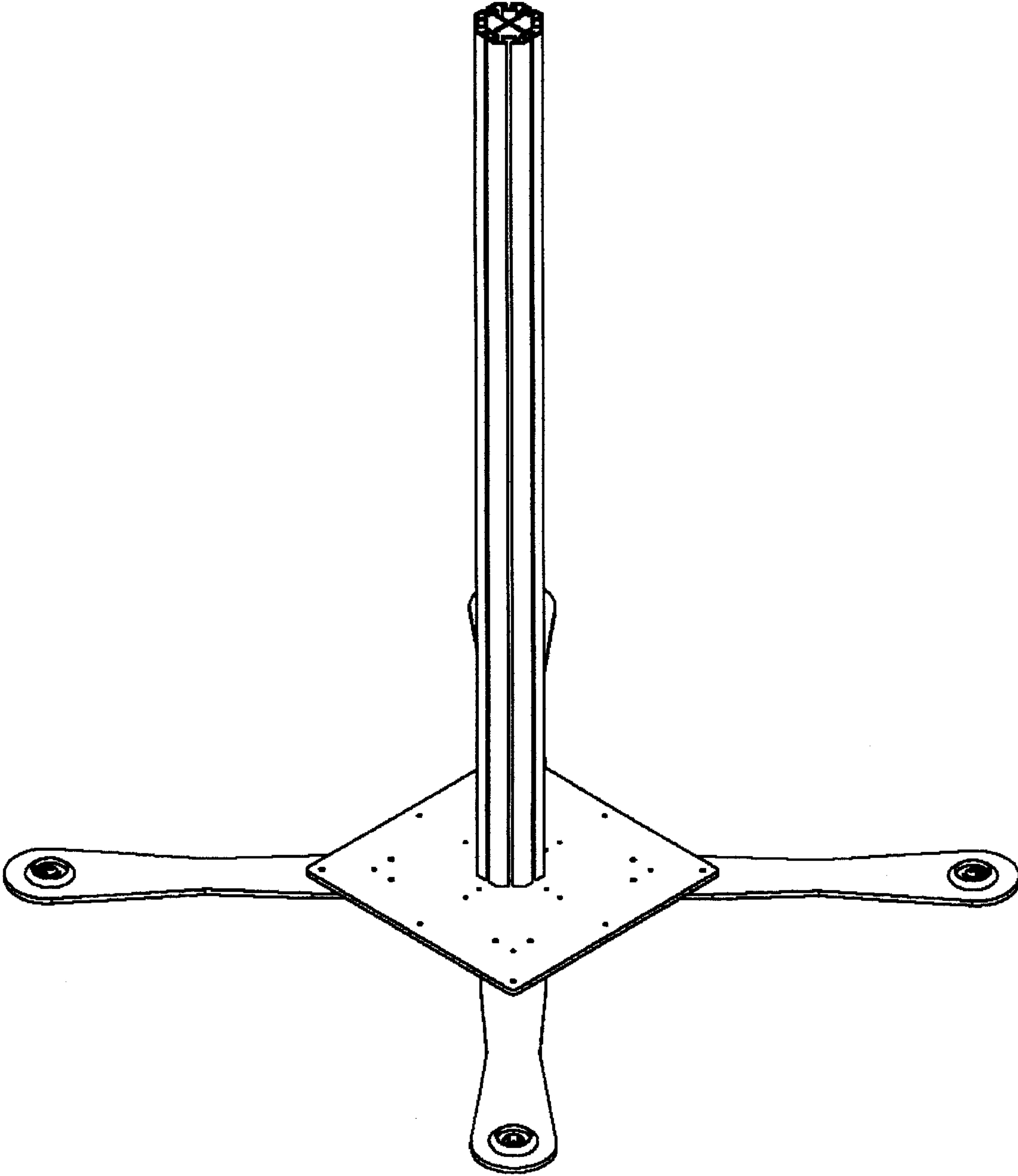


FIG. 1

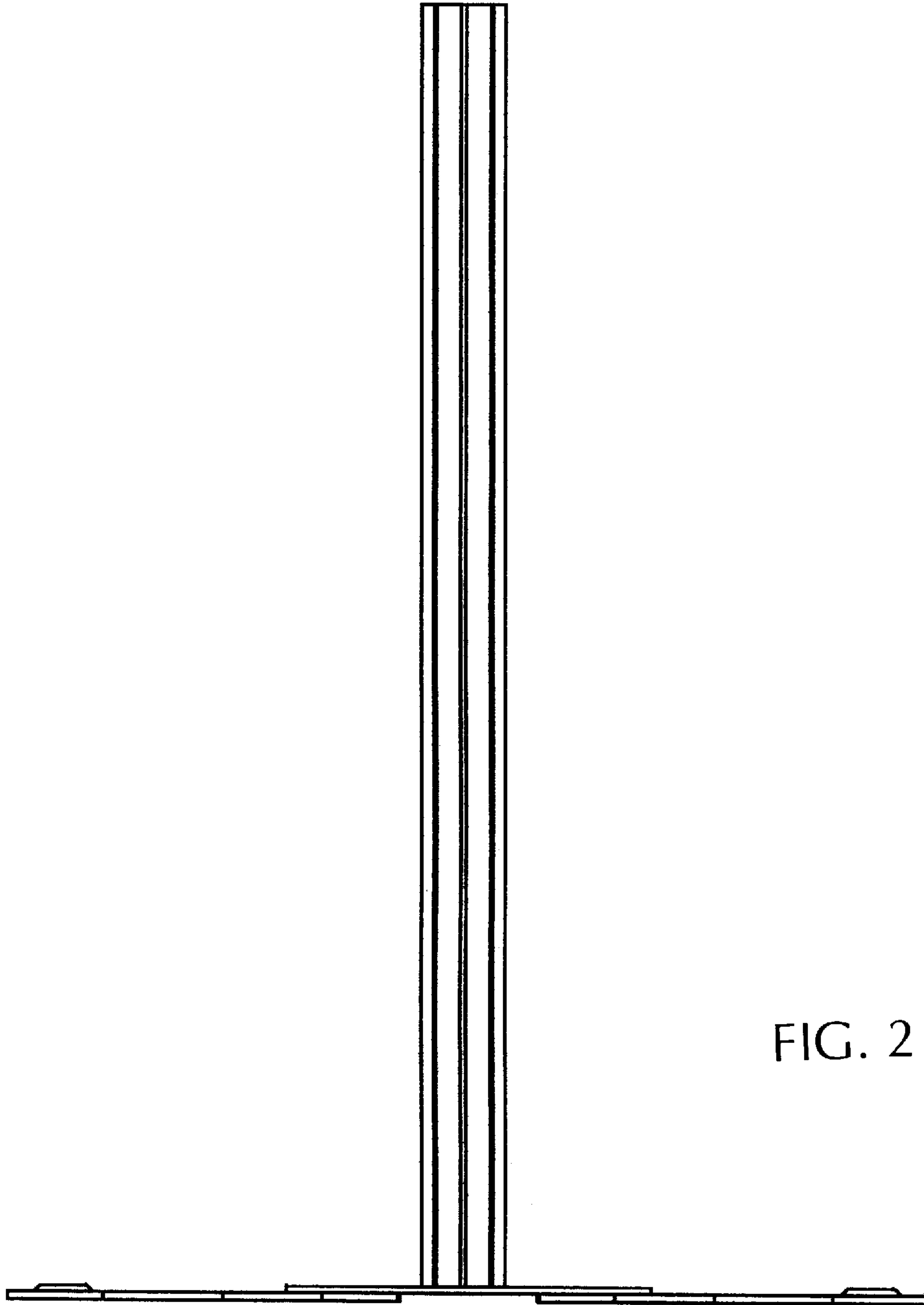


FIG. 2

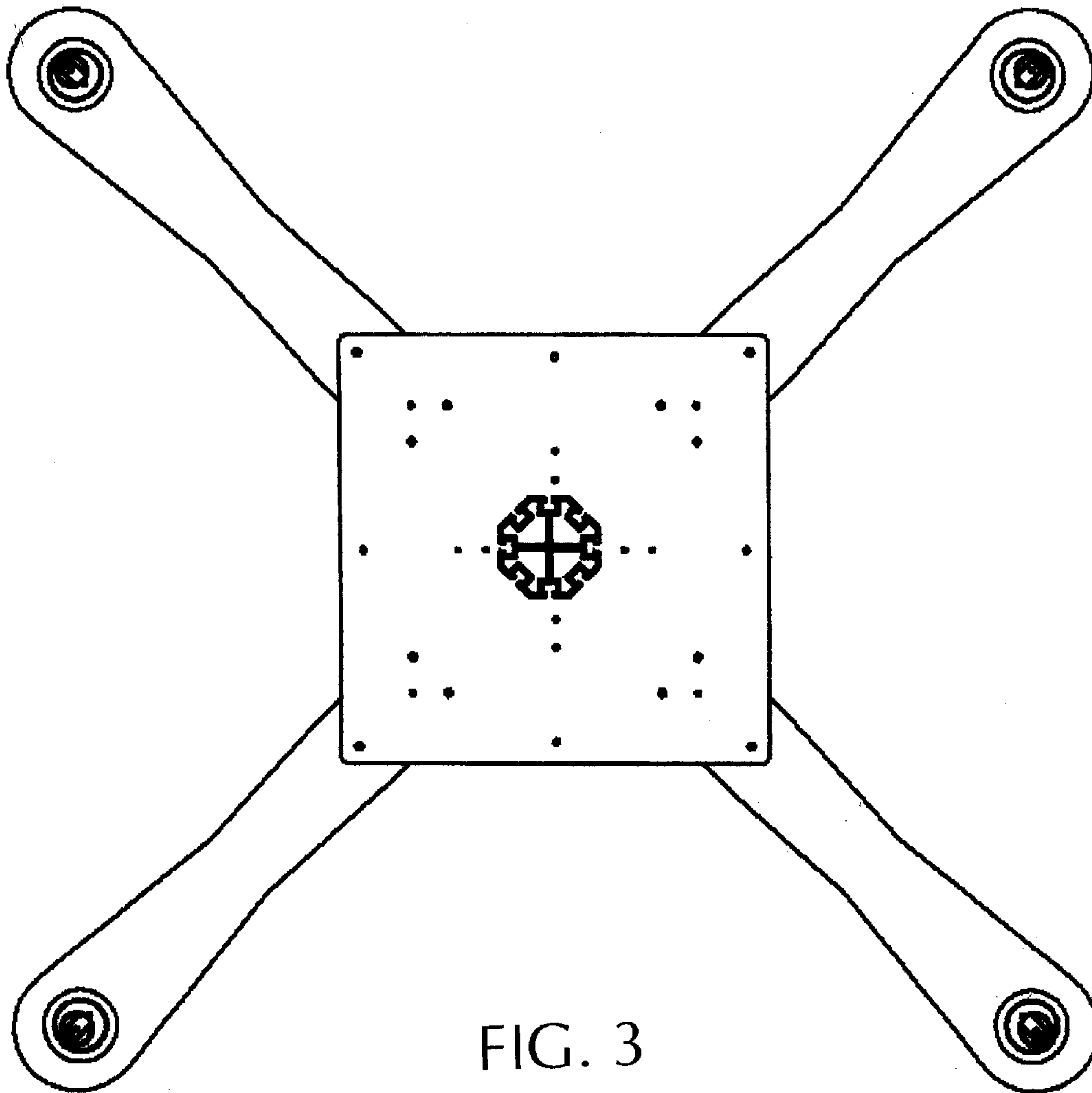


FIG. 3

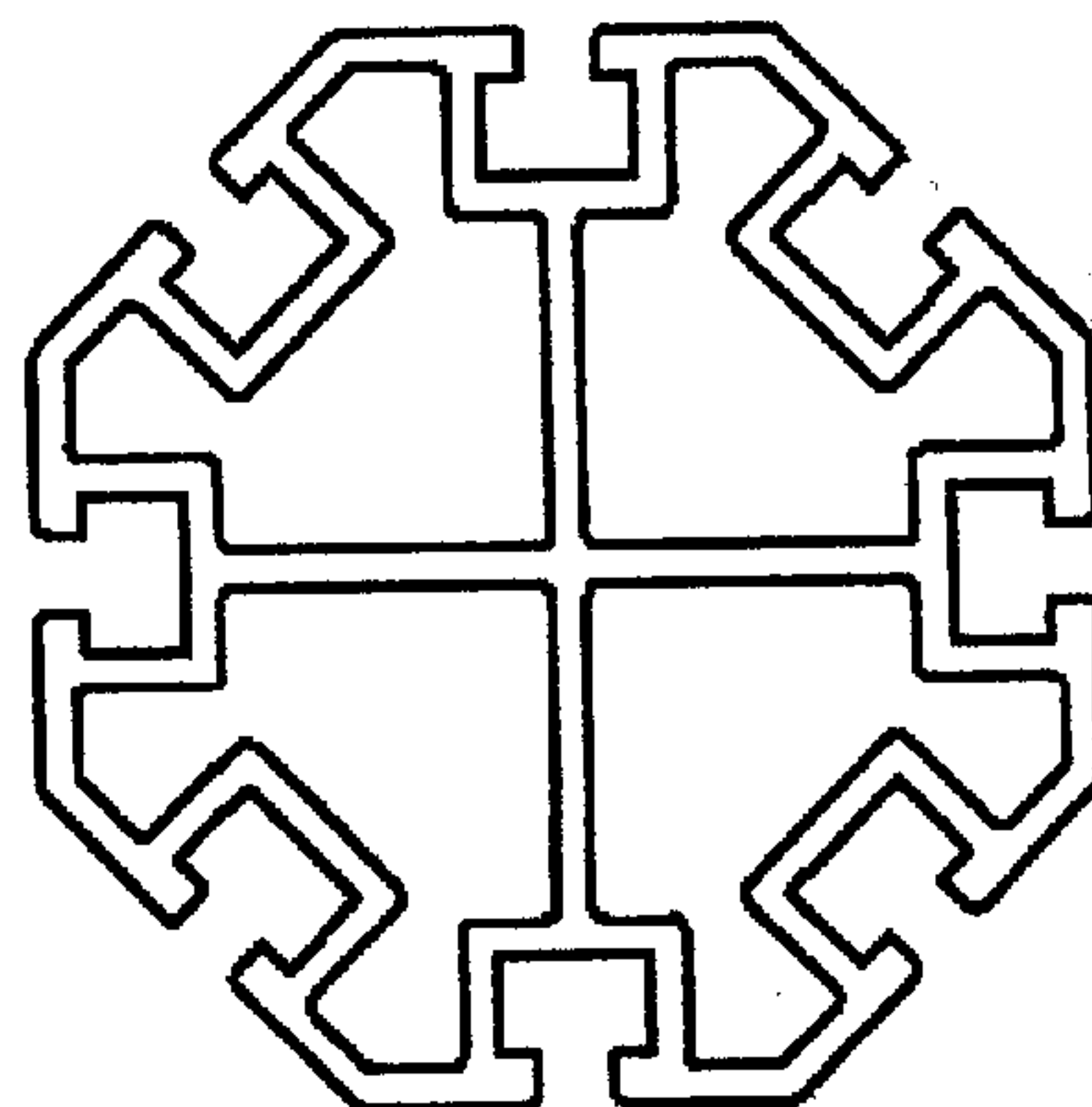


FIG. 4

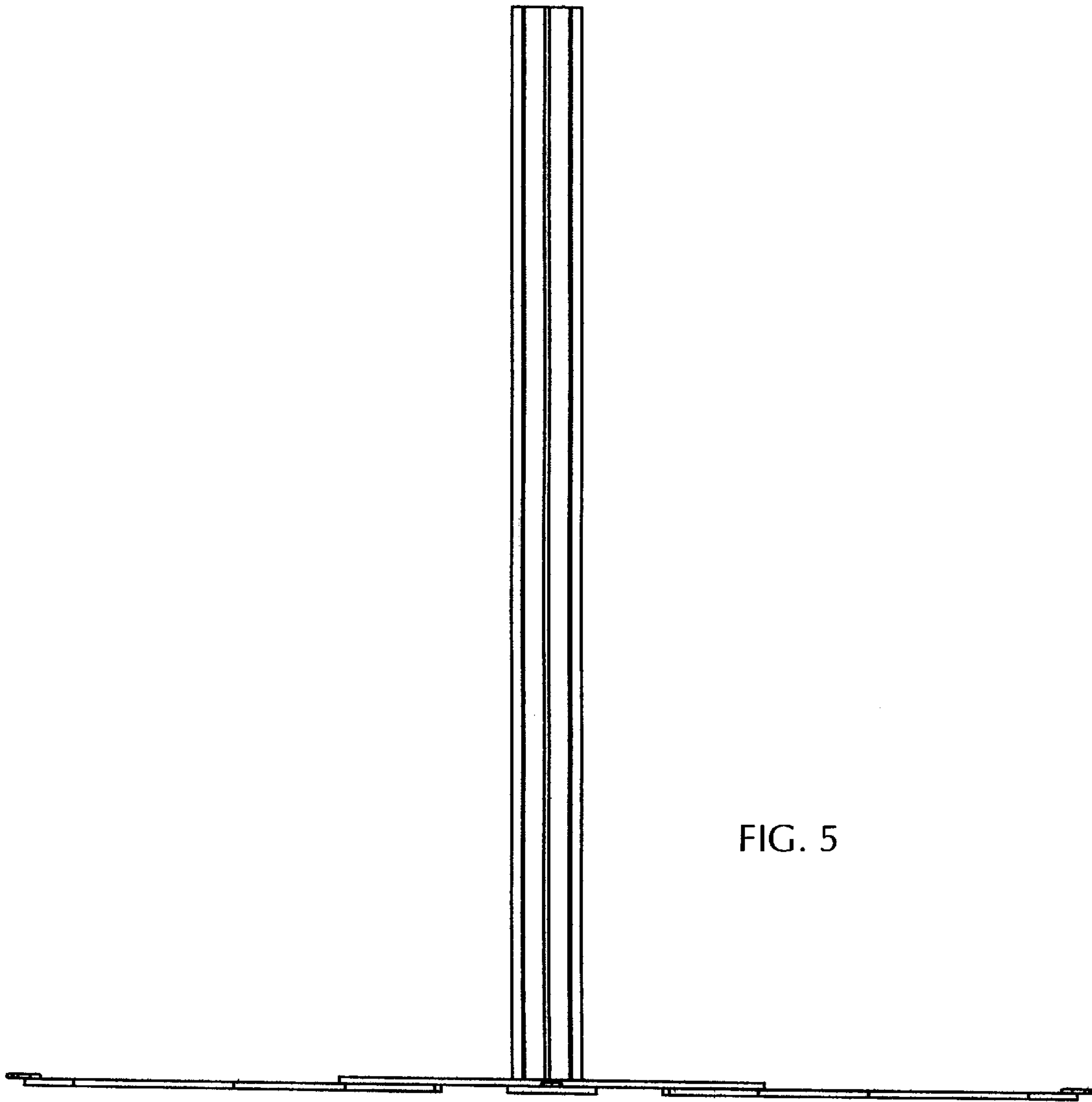


FIG. 5