

US00D527426S

(12) **United States Design Patent**
Mason

(10) **Patent No.:** **US D527,426 S**

(45) **Date of Patent:** **** Aug. 29, 2006**

(54) **PRICING CLIP**

(75) Inventor: **Timothy L. Mason**, Melville, NY (US)

(73) Assignee: **New Dimension Research Corporation**, Melville, NY (US)

(**) Term: **14 Years**

(21) Appl. No.: **29/231,217**

(22) Filed: **Jun. 2, 2005**

(51) **LOC (8) Cl.** **20-03**

(52) **U.S. Cl.** **D20/43**

(58) **Field of Classification Search** D20/10,
D20/11, 34, 40, 41, 42, 43, 44, 99; D6/315,
D6/320, 328; D8/363, 367, 373, 380; 40/322,
40/617, 642.01, 642.02, 661.08, 672, 771,
40/788; 223/85, 87, 91, 97, 98; 248/125.2,
248/170, 171

See application file for complete search history.

D375,302 S * 11/1996 Darius et al. D14/450
5,592,767 A * 1/1997 Treske 40/649
D390,547 S * 2/1998 Chen D14/450
D392,957 S * 3/1998 Gaete D8/71
5,758,439 A * 6/1998 Sawyer et al. 40/308
6,105,294 A * 8/2000 Goodfellow 40/654.01
D437,525 S * 2/2001 Strohmeyer D7/397
6,234,329 B1 * 5/2001 Loew 211/104
D443,307 S * 6/2001 Nucci et al. D20/10
6,269,571 B1 8/2001 Thalenfeld
6,389,722 B1 * 5/2002 Josefsson et al. 40/642.01
D476,375 S * 6/2003 Zadak et al. D20/43
6,604,310 B1 * 8/2003 Lindstrom et al. 40/642.01
6,712,324 B1 * 3/2004 Catteau et al. 248/222.51
2005/0076554 A1 4/2005 Fast et al.

* cited by examiner

Primary Examiner—Robert M. Spear

(74) *Attorney, Agent, or Firm*—Collard & Roe P.C.

(57) **CLAIM**

The ornamental design for a pricing clip, as shown and described.

DESCRIPTION

FIG. 1 shows a perspective view of my design for a pricing clip according to the invention.

FIG. 2 shows a front view thereof;

FIG. 3 shows a top plan view thereof;

FIG. 4 shows a rear view thereof;

FIG. 5 shows a bottom view thereof;

FIG. 6 shows a first side view thereof; and,

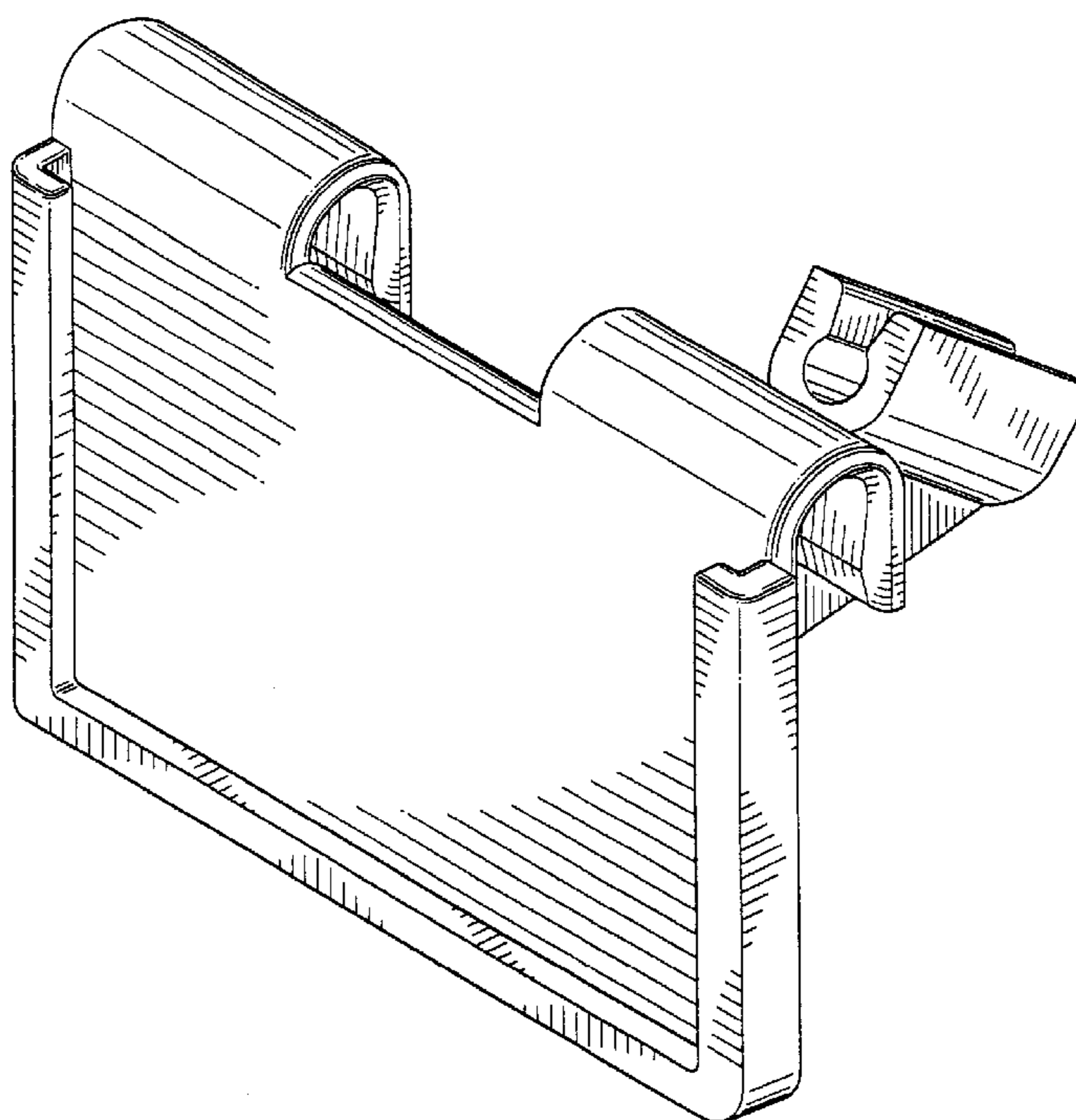
FIG. 7 shows a second side view thereof, opposite to the view shown in FIG. 6.

1 Claim, 4 Drawing Sheets

(56) **References Cited**

U.S. PATENT DOCUMENTS

1,392,661 A * 10/1921 Seese 40/649
1,662,813 A * 3/1928 Cobb 40/5
2,078,518 A 4/1937 Wilke
3,022,593 A 2/1962 Sides
4,672,758 A * 6/1987 Le-Carpentier et al. 40/766
4,760,660 A 8/1988 Fast
4,842,230 A 6/1989 Cobb et al.
4,852,838 A 8/1989 Field
D311,739 S * 10/1990 De Lucchi D14/450
D339,799 S * 9/1993 Allen D14/458
D349,732 S * 8/1994 Bogaards D20/40



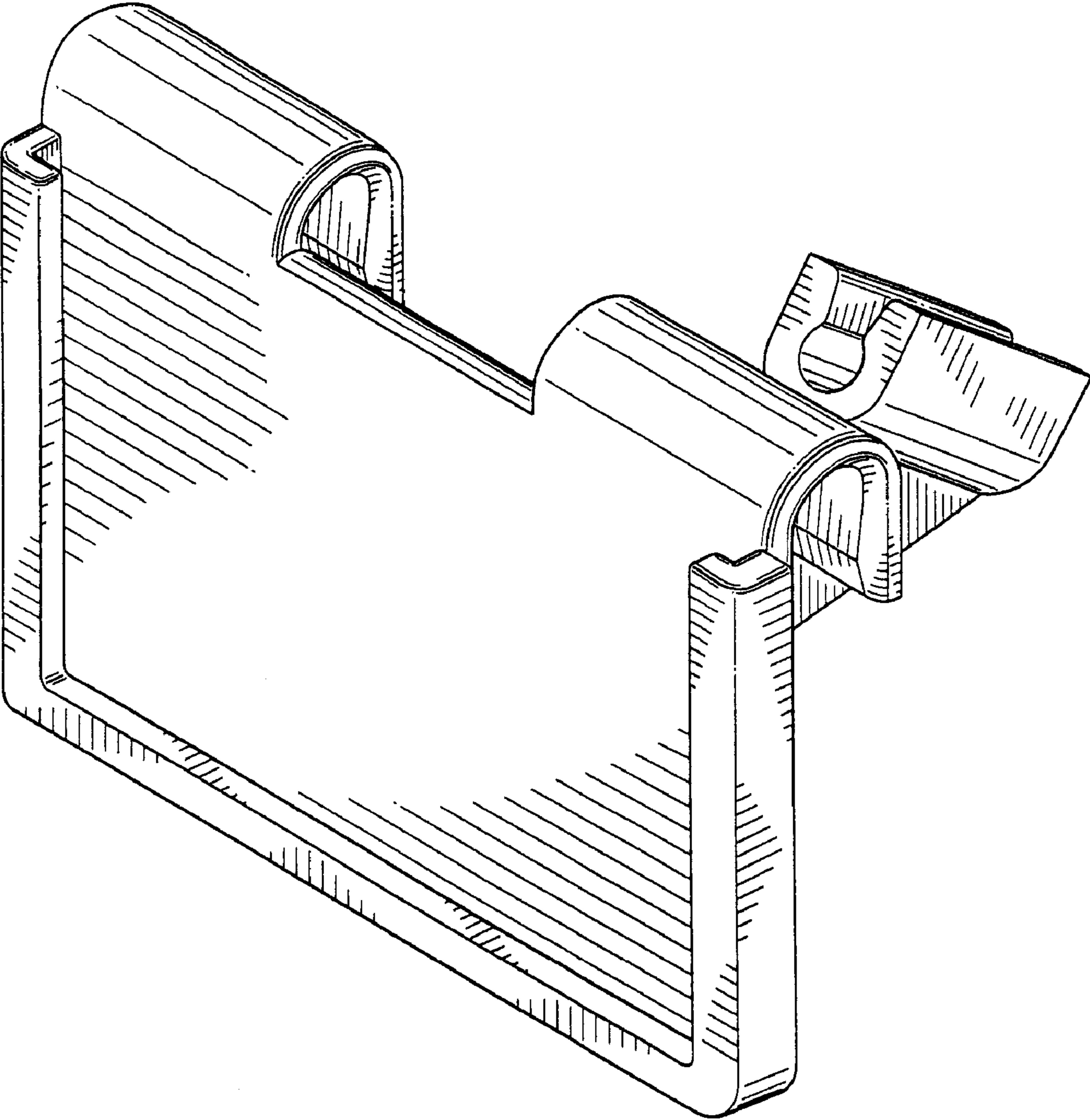


FIG. 1

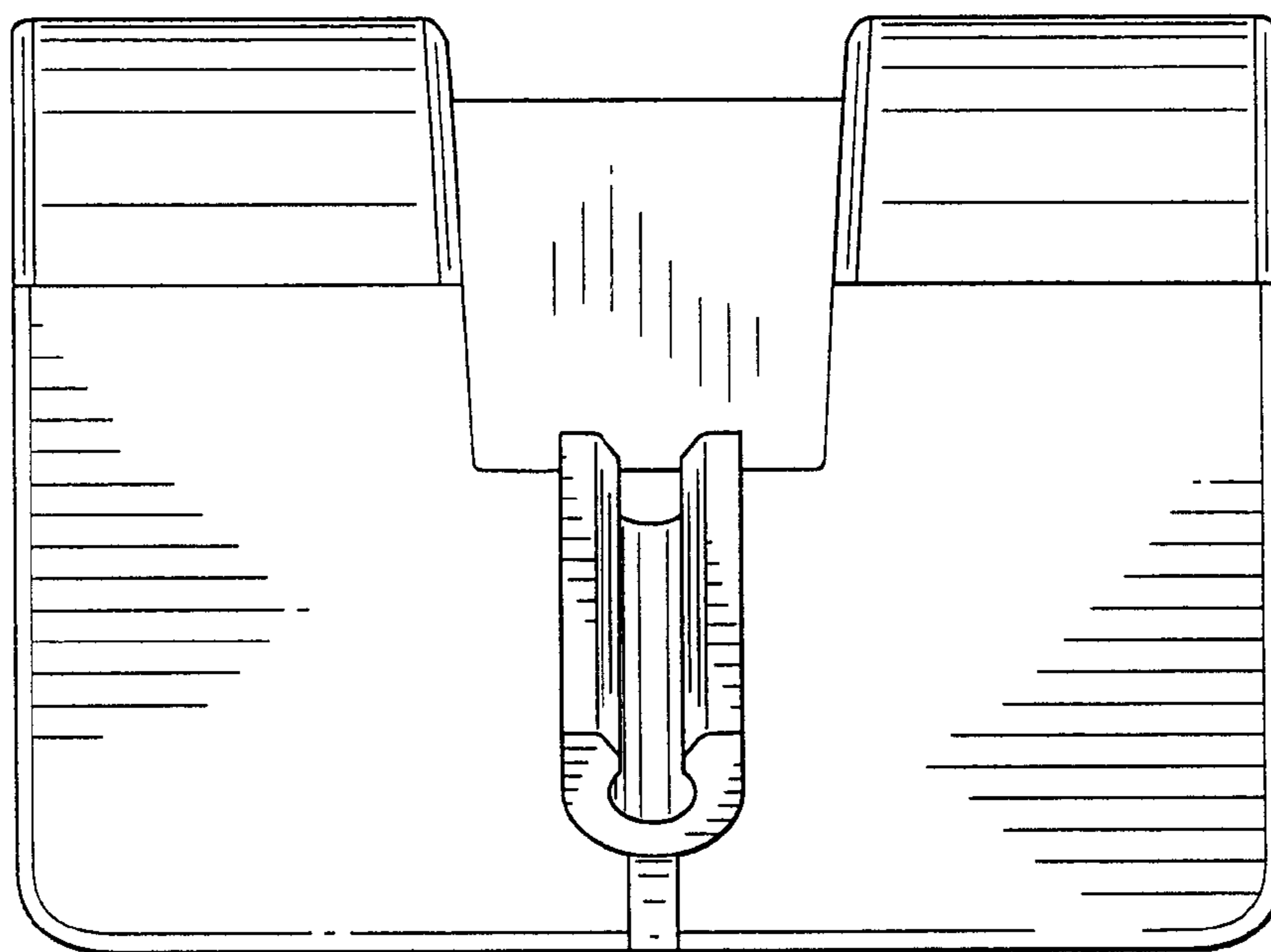


FIG. 2

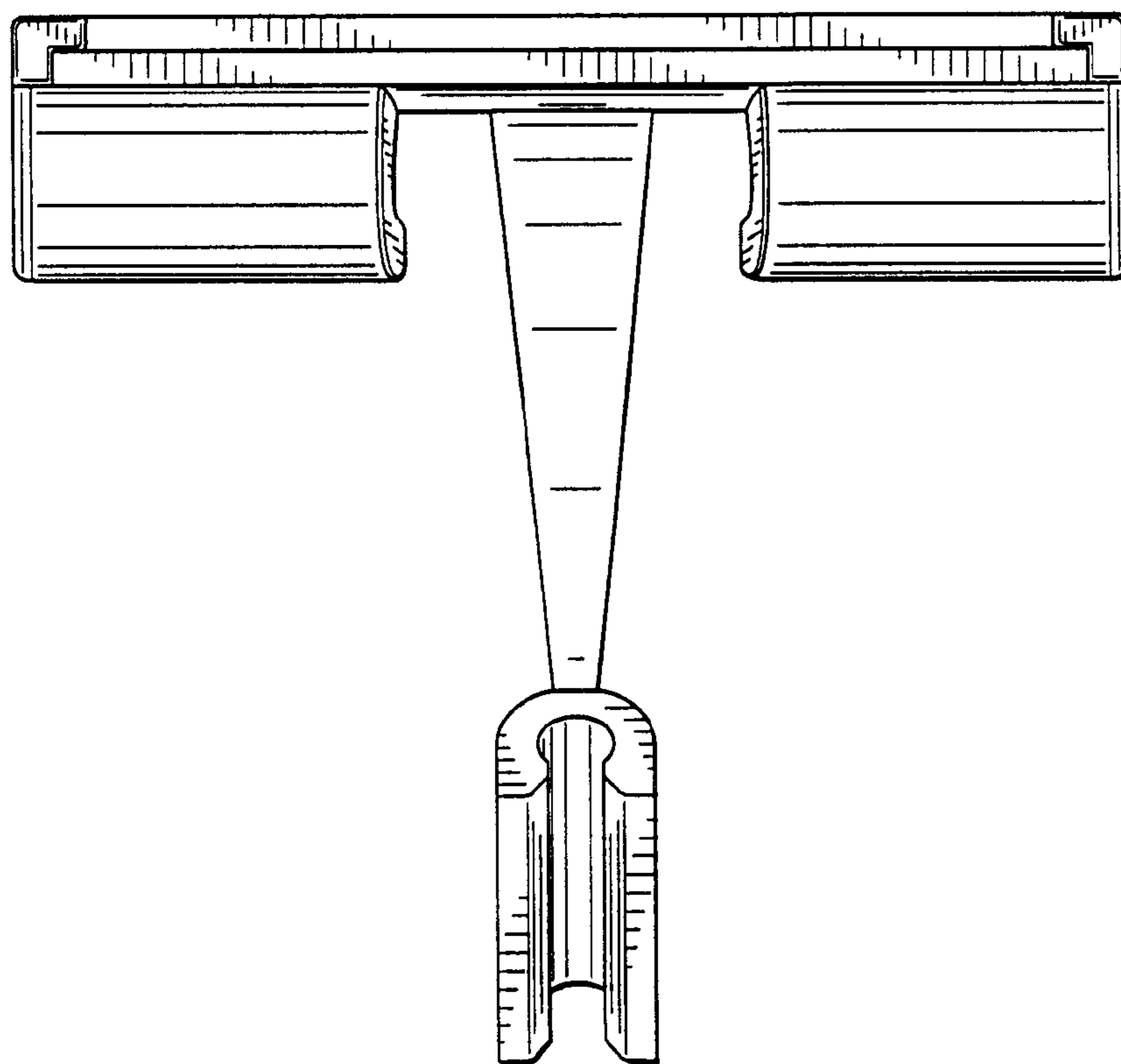


FIG. 3

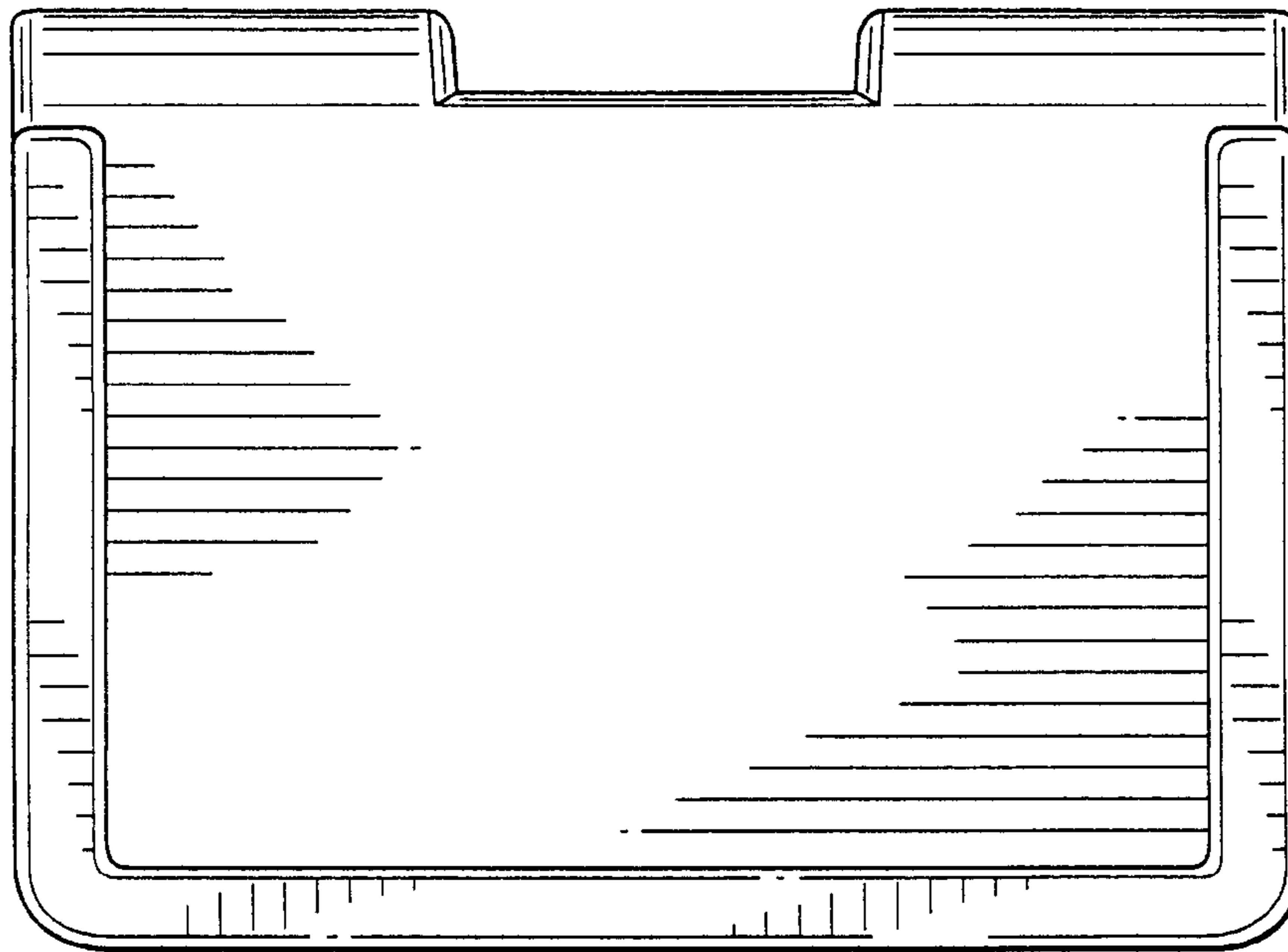


FIG. 4

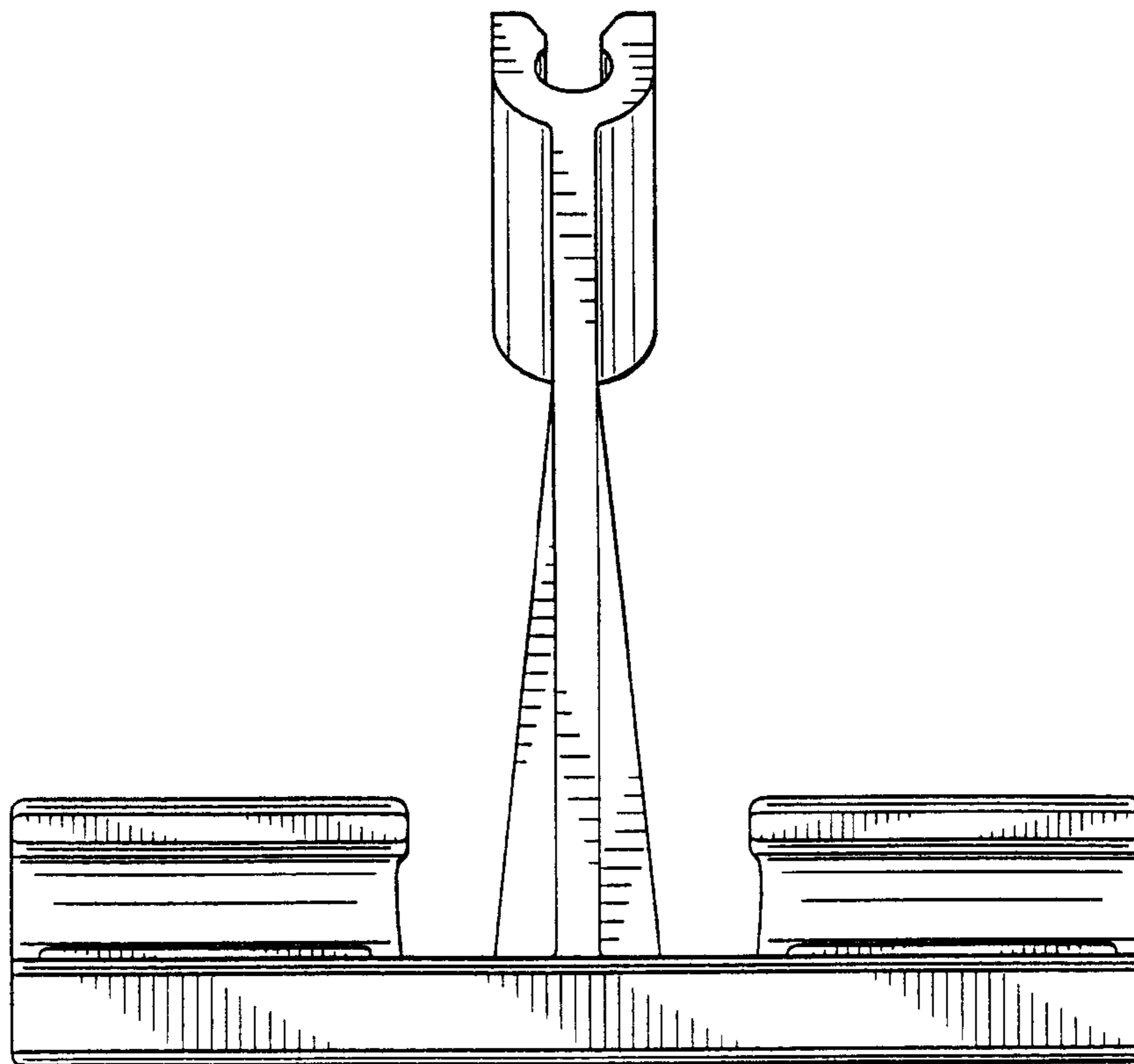


FIG. 5

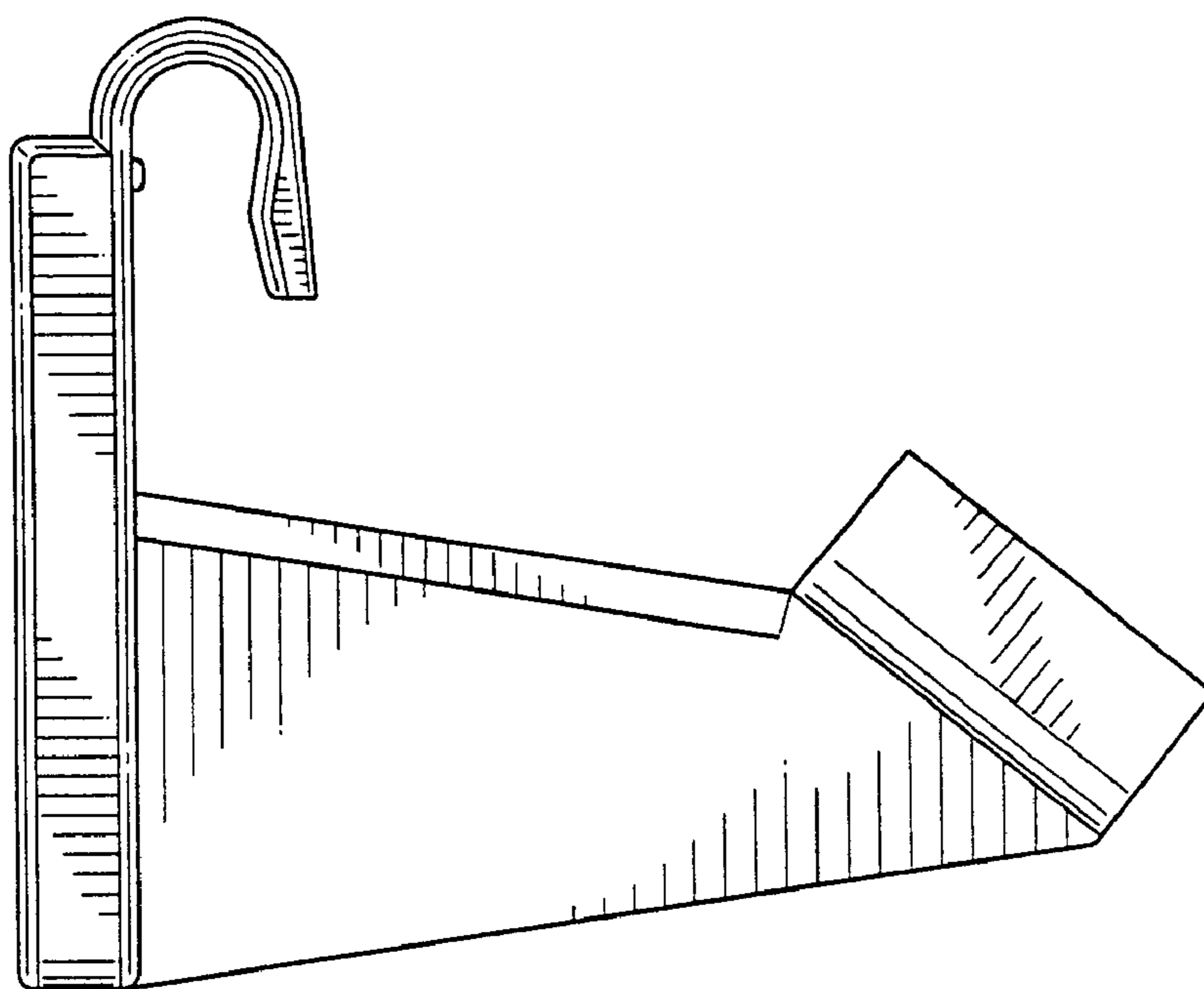


FIG. 6

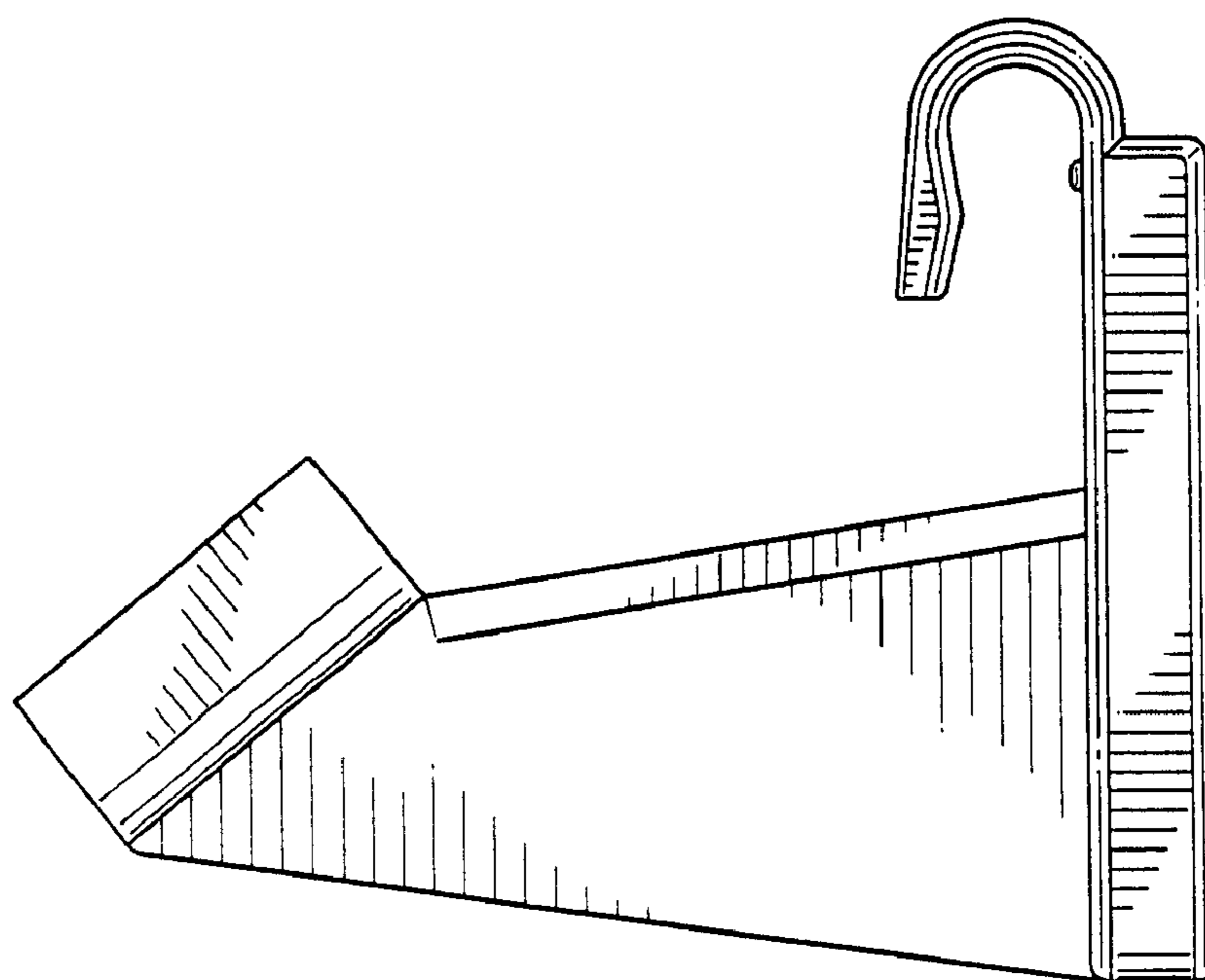


FIG. 7