



US00D527424S

(12) **United States Design Patent**
Long

(10) **Patent No.:** **US D527,424 S**

(45) **Date of Patent:** **** Aug. 29, 2006**

(54) **ACCESSORY CUBE**

(76) **Inventor:** **Sandra J. Long**, 10764 N. 155 Ave.,
Owasso, OK (US) 74055

(**) **Term:** **14 Years**

(21) **Appl. No.:** **29/206,600**

(22) **Filed:** **Jun. 1, 2004**

(51) **LOC (8) Cl.** **19-02**

(52) **U.S. Cl.** **D19/77**

(58) **Field of Classification Search** D9/414,
D9/418, 423, 424, 432, 529, 734; D19/65,
D19/75, 77-85, 95, 99, 100; D25/136; 206/214,
206/224, 233, 371, 494; 220/480, 62.11,
220/676; 221/33, 45, 212; D6/495, 512, 515
See application file for complete search history.

(56) **References Cited**

U.S. PATENT DOCUMENTS

1,046,247	A	*	12/1912	Baerresen	108/150
3,561,146	A		2/1971	Dembar		
3,577,666	A		5/1971	Wexler		
3,596,391	A		8/1971	Knight, Jr.		
3,703,045	A		11/1972	Nyman		
3,716,936	A		2/1973	Miller		
3,774,332	A		11/1973	Schneider		
D245,615	S	*	8/1977	Burroughs	D19/85
4,195,729	A	*	4/1980	Macken	206/216
4,402,397	A		9/1983	Spence		
4,513,862	A	*	4/1985	Mallow	206/233
D287,821	S	*	1/1987	Holewinski et al.	D9/414

4,657,176	A	*	4/1987	Matsubara	229/117.01
4,796,780	A	*	1/1989	Huang	221/154
5,069,339	A	*	12/1991	Hsu	206/340
D328,375	S	*	7/1992	Levine	D34/7
D328,508	S	*	8/1992	Crutchfield	D34/1
D339,438	S	*	9/1993	Moran	D34/7
D353,249	S	*	12/1994	Hallenbeck	D34/1
5,415,320	A	*	5/1995	North et al.	221/63
D362,180	S	*	9/1995	Haines	D9/424
6,036,042	A	*	3/2000	Pietruch et al.	220/62.12
D434,223	S	*	11/2000	Dombrowski	D3/273
6,256,914	B1		7/2001	Yeh		
6,464,078	B1	*	10/2002	Grossnickle	206/459.5
D487,870	S	*	3/2004	Stewart et al.	D9/416
2001/0052477	A1	*	12/2001	McNeill	206/494
2005/0133387	A1	*	6/2005	Cohen et al.	206/233
2006/0000843	A1	*	1/2006	Stubbs	221/45

* cited by examiner

Primary Examiner—Elizabeth A. Albert

(74) *Attorney, Agent, or Firm*—Molly D. McKay

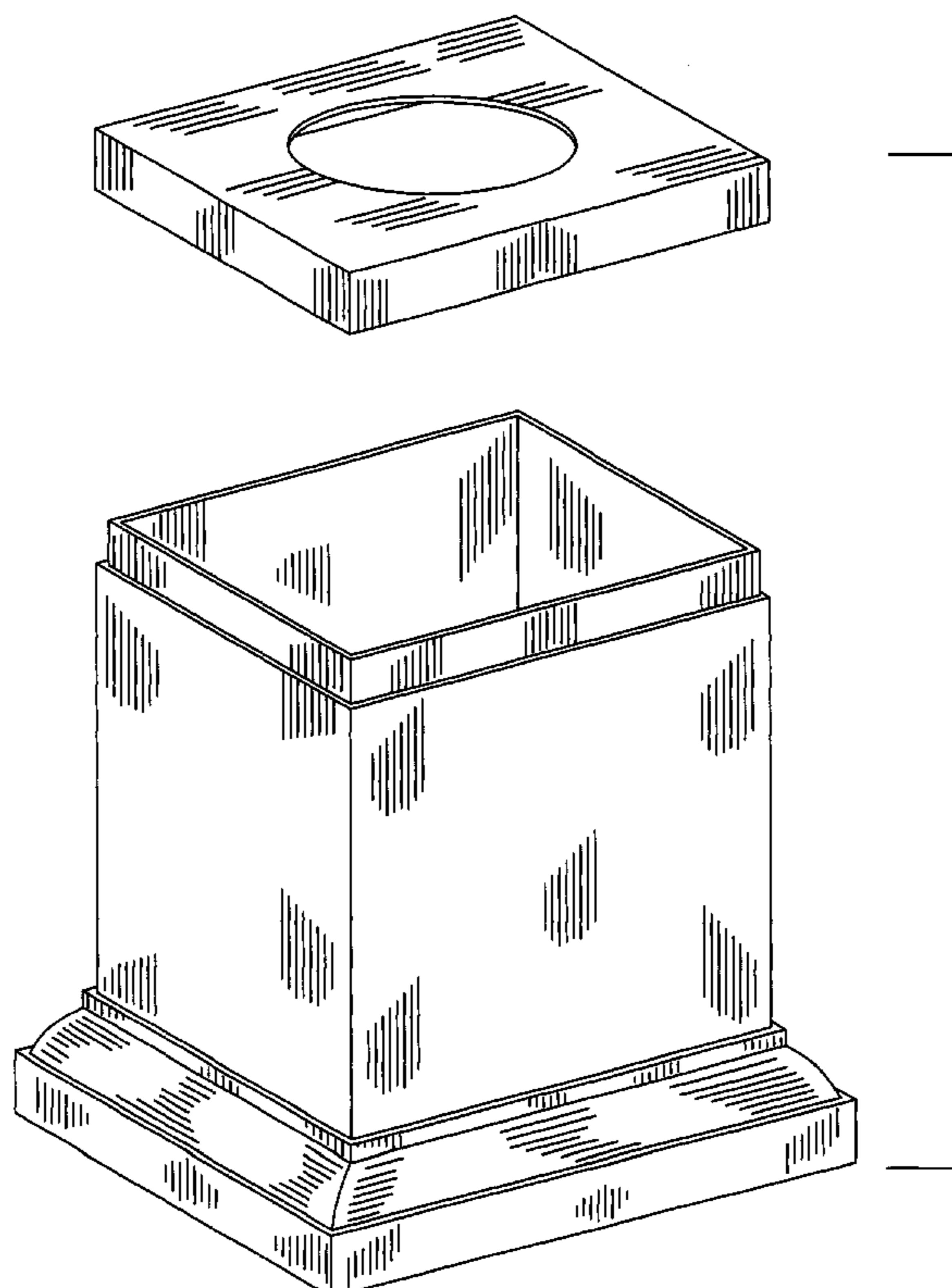
(57) **CLAIM**

The ornamental design for an accessory cube, as shown and described.

DESCRIPTION

FIG. 1 is an exploded perspective view of an accessory cube showing my new design;
FIG. 2 is the top plan thereof;
FIG. 3 is the side view thereof; and,
FIG. 4 is the bottom plan view thereof.

1 Claim, 2 Drawing Sheets



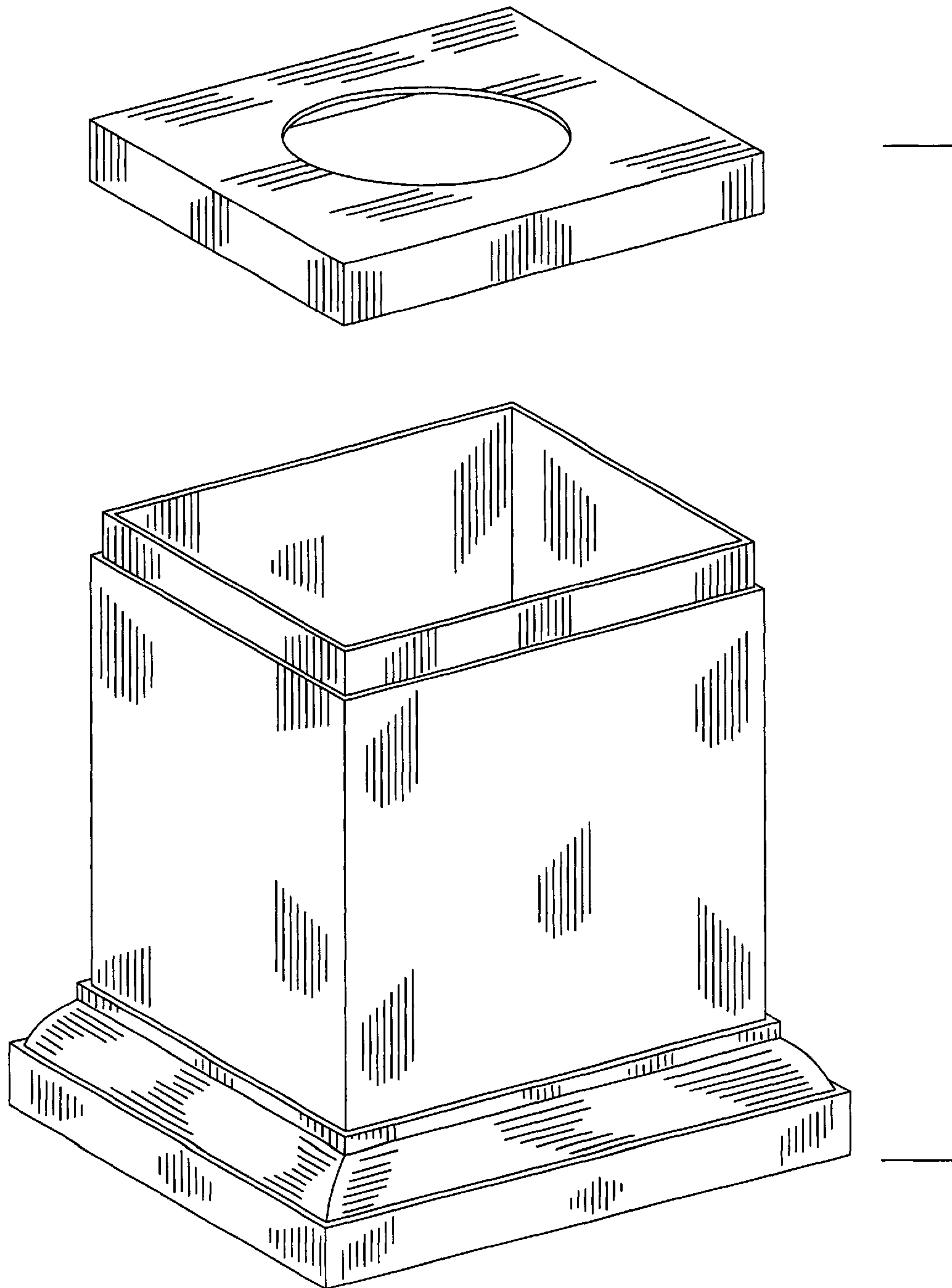


Fig. 1

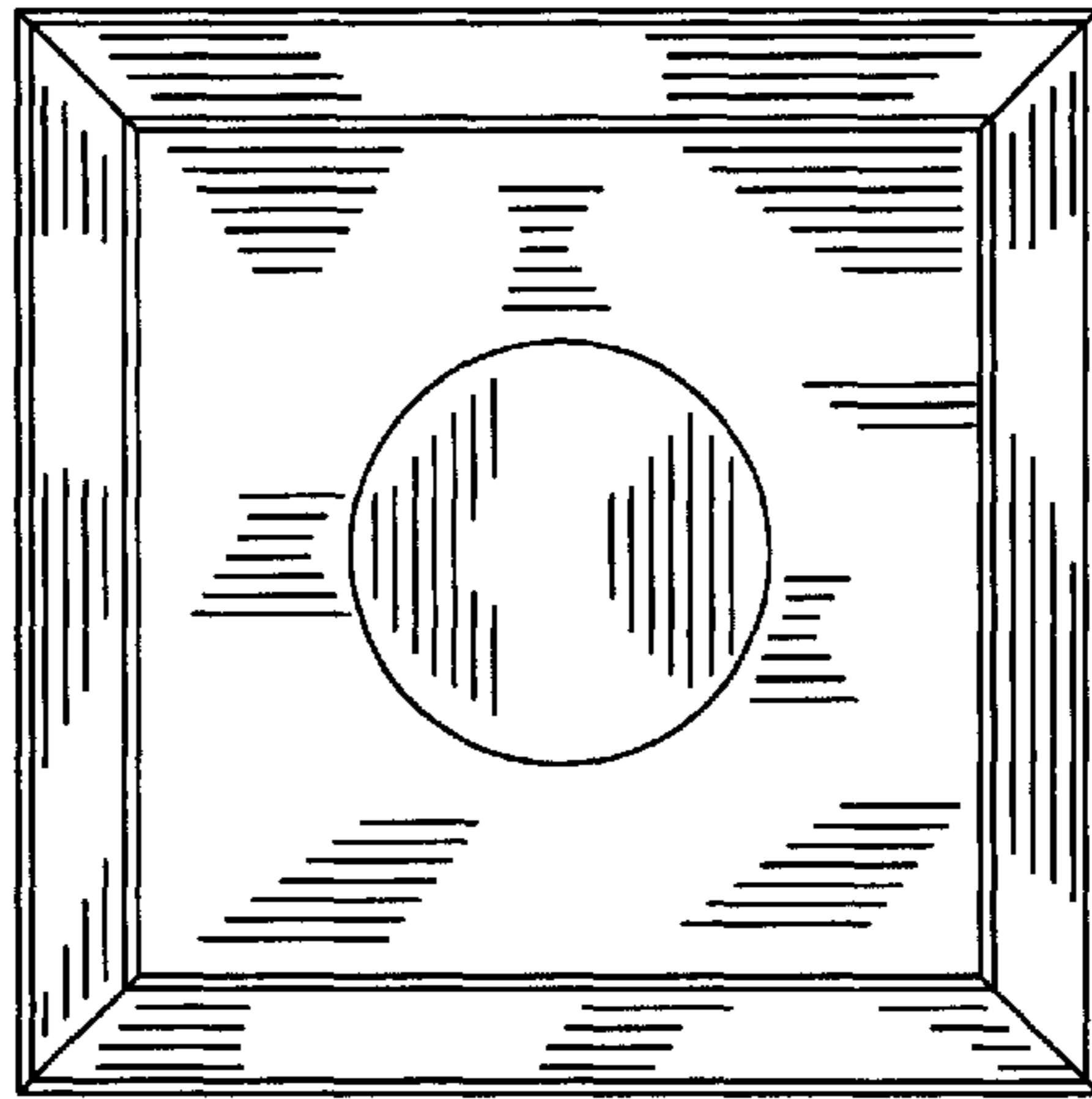


Fig. 2

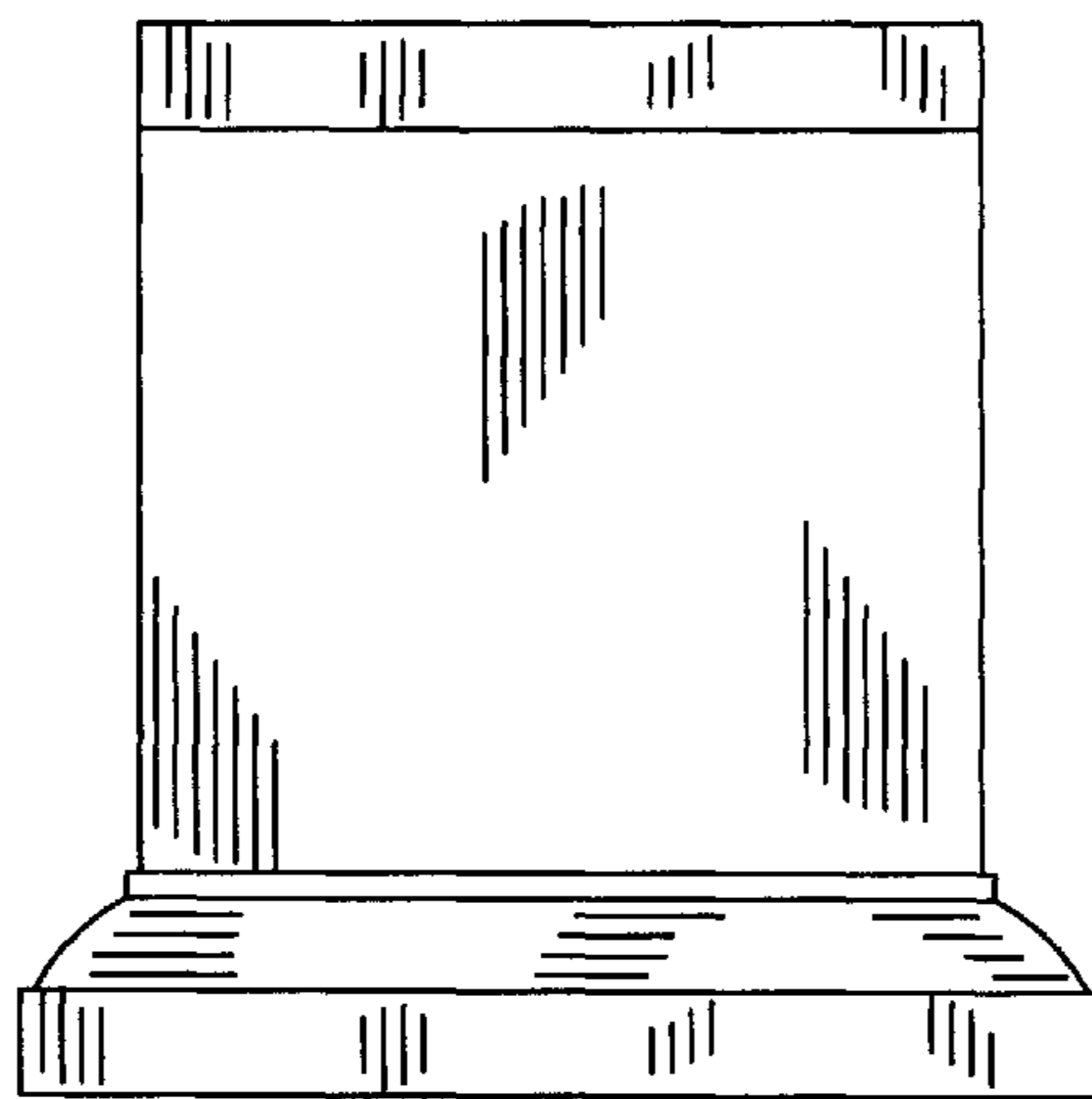


Fig. 3

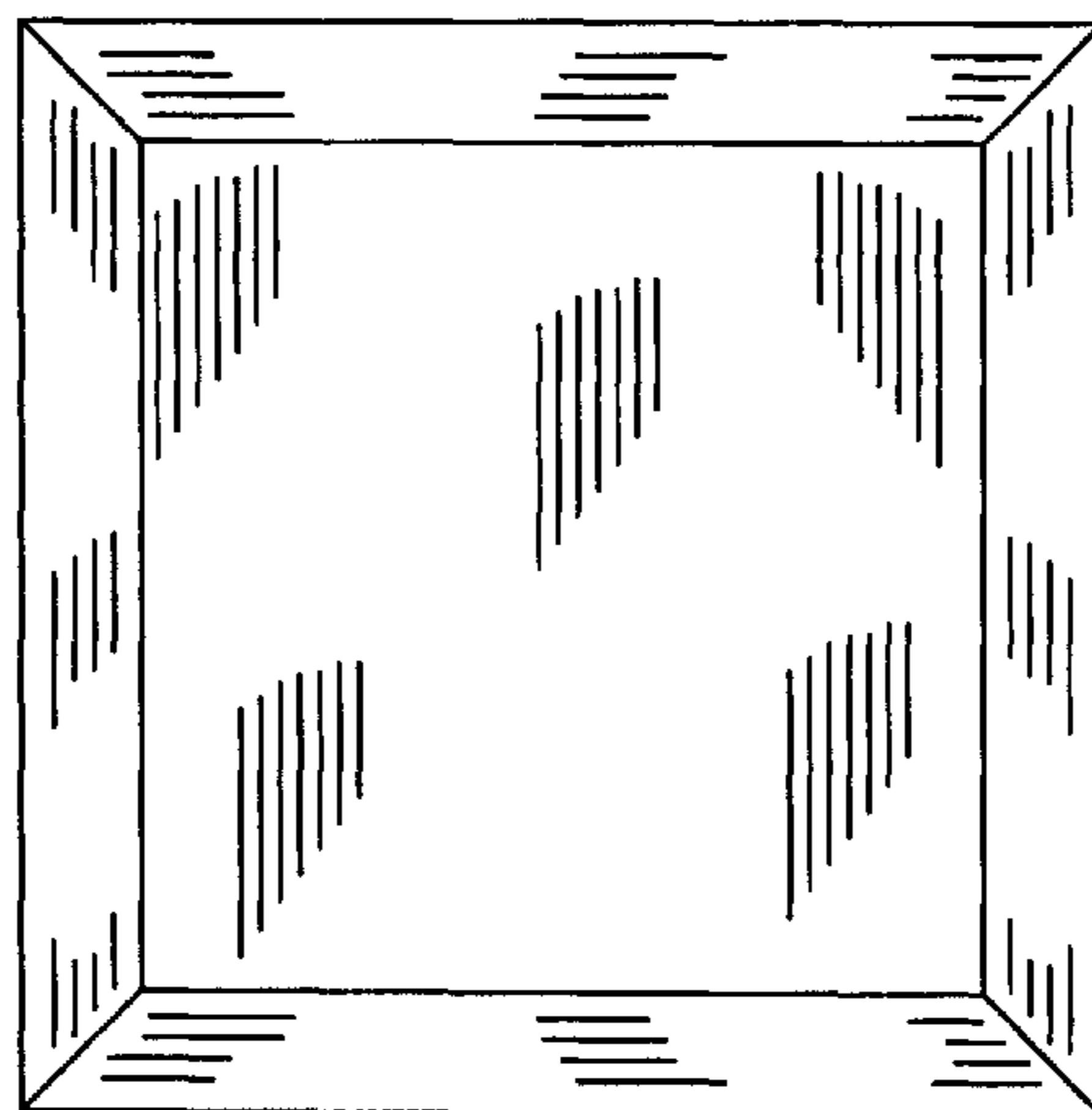


Fig. 4