

US00D527420S

(12) **United States Design Patent**
Okuchi et al.

(10) **Patent No.:** **US D527,420 S**

(45) **Date of Patent:** **** Aug. 29, 2006**

(54) **TAPE CARTRIDGE FOR TAPE PRINTING MACHINE**

(75) Inventors: **Hiroyuki Okuchi**, Nagoya (JP);
Kiyoshi Sugimoto, Kuwana (JP)

(73) Assignee: **Brother Industries, Ltd.**, Nagoya (JP)

(**) Term: **14 Years**

(21) Appl. No.: **29/234,320**

(22) Filed: **Jul. 18, 2005**

(30) **Foreign Application Priority Data**

Mar. 30, 2005 (JP) 2005-0094459

(51) **LOC (8) Cl.** **18-02**

(52) **U.S. Cl.** **D18/56**

(58) **Field of Classification Search** D18/12,
D18/18, 40, 43, 56; D14/435, 471, 481, 483,
D14/484; 347/178, 214; 400/207-208, 208.1,
400/193-196, 196.1, 234-235, 235.1, 240.4,
400/242, 613; 399/110

See application file for complete search history.

(56) **References Cited**

U.S. PATENT DOCUMENTS

4,203,677 A * 5/1980 Hatsell 400/208
4,886,385 A * 12/1989 Cappotto 400/234
6,260,834 B1 * 7/2001 Colonel et al. 400/234

D475,717 S * 6/2003 Nonomura D14/484
D483,772 S * 12/2003 Nonomura D14/484
2005/0271441 A1 * 12/2005 Bouverie et al. 400/234

* cited by examiner

Primary Examiner—Cathy Anne MacCormac

(74) *Attorney, Agent, or Firm*—Oliff & Berridge, PLC

(57) **CLAIM**

The ornamental design for a tape cartridge for tape printing machine, as shown and described.

DESCRIPTION

FIG. 1 is a perspective view of a tape cartridge for tape printing machine;

FIG. 2 is an enlarged perspective view thereof;

FIG. 3 is a front view thereof;

FIG. 4 is a rear view thereof;

FIG. 5 is a left-side view thereof;

FIG. 6 is a right-side view thereof;

FIG. 7 is a bottom view thereof;

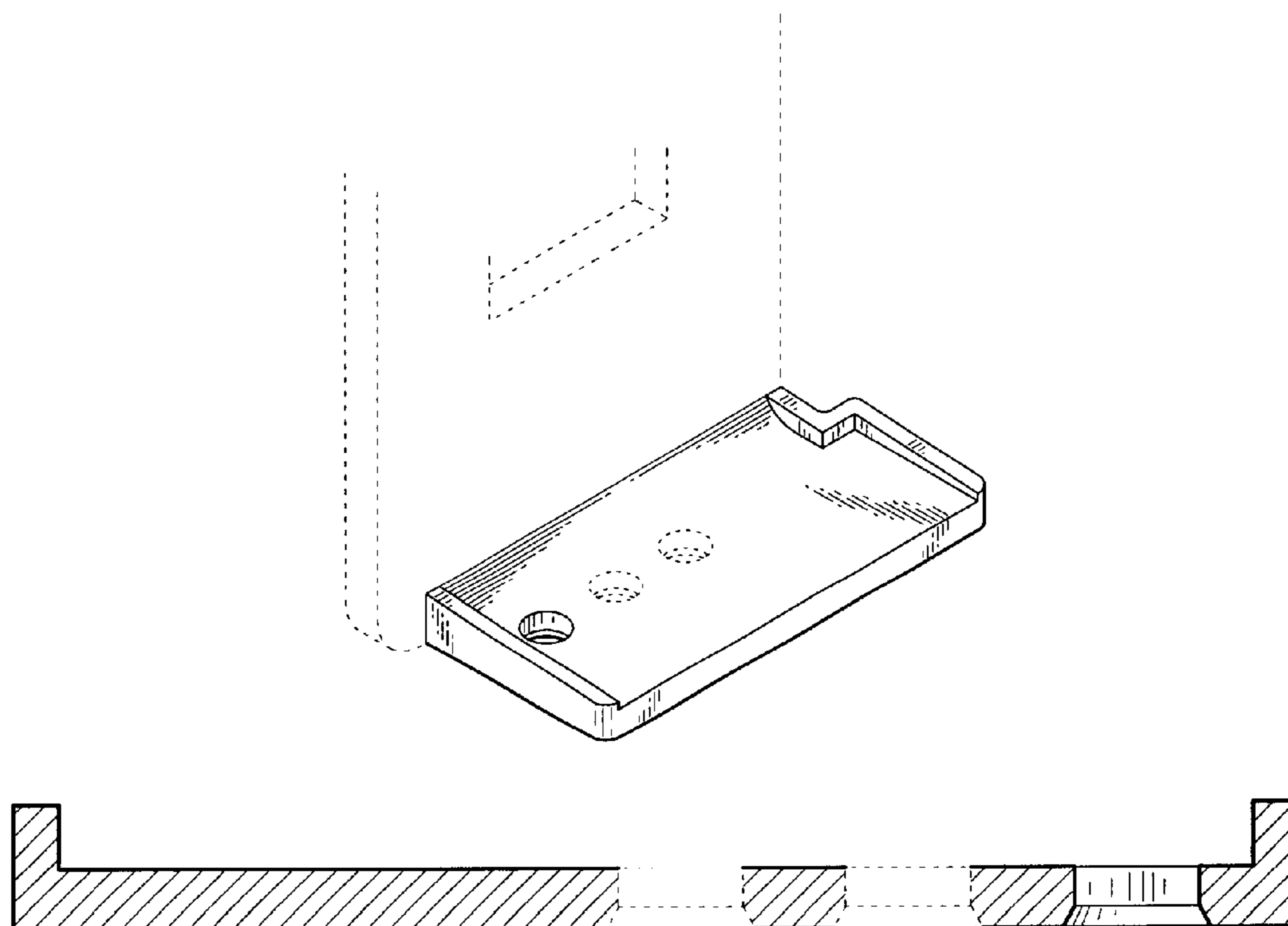
FIG. 8 is a top view thereof; and,

FIG. 9 is an enlarged cross-sectional view taken along the line 9—9 of FIG. 3.

The broken lines are for illustrative purposes only and do not form part of the claimed design.

The line-dot-line in FIGS. 6 and 8 illustrates a portion of the tape cartridge for the purpose of revealing the claimed design.

1 Claim, 5 Drawing Sheets



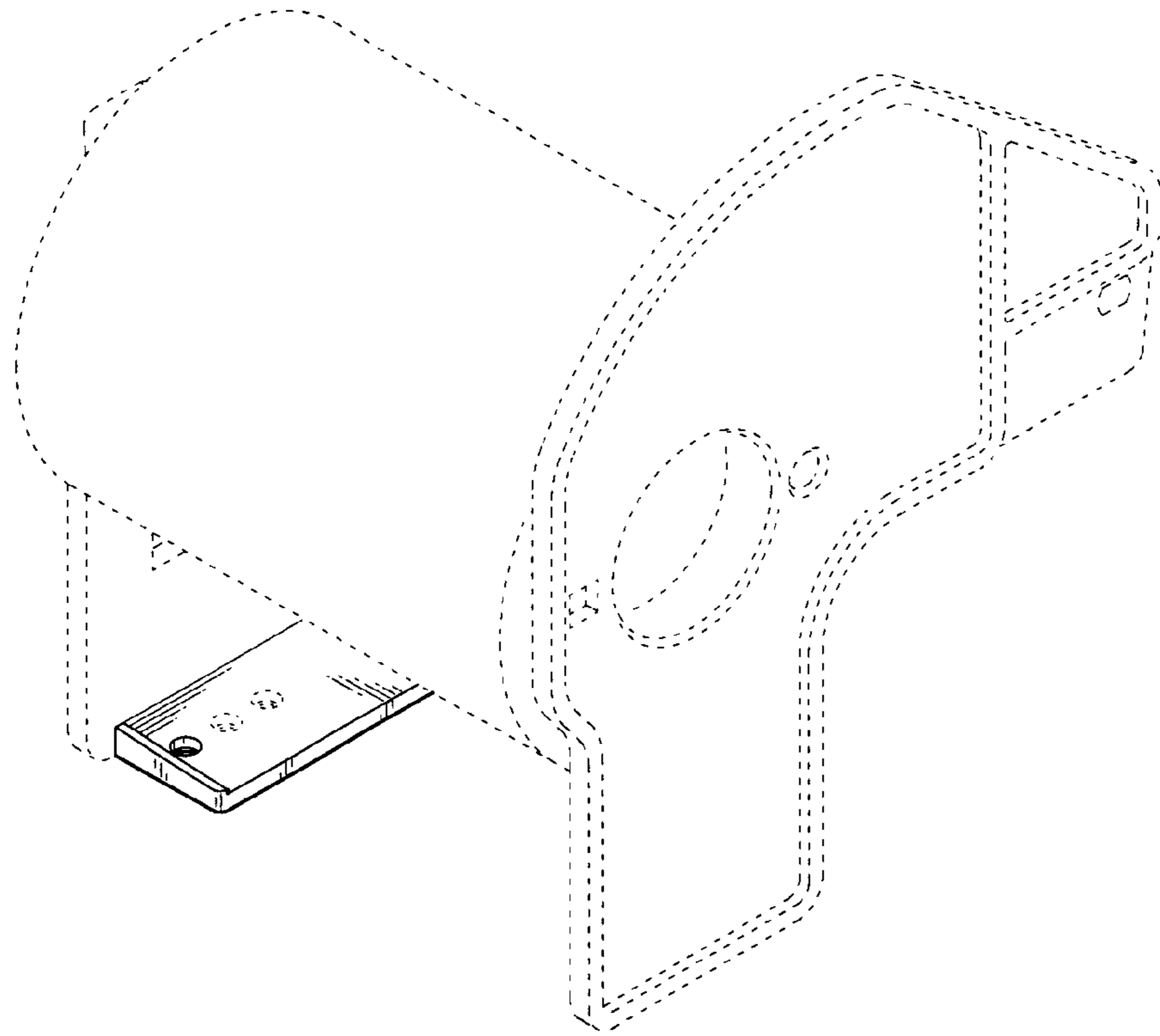


FIG. 1

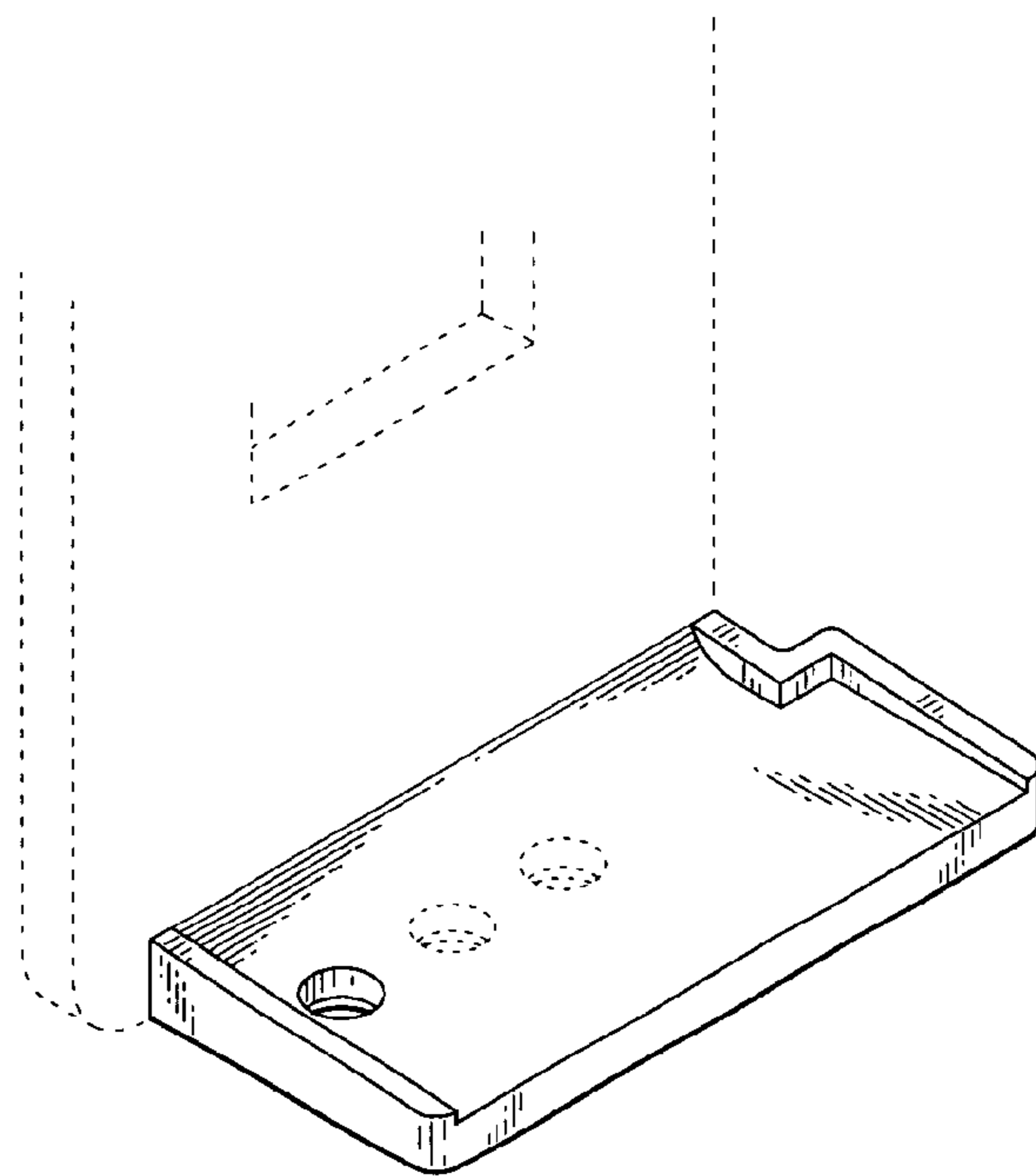


FIG. 2

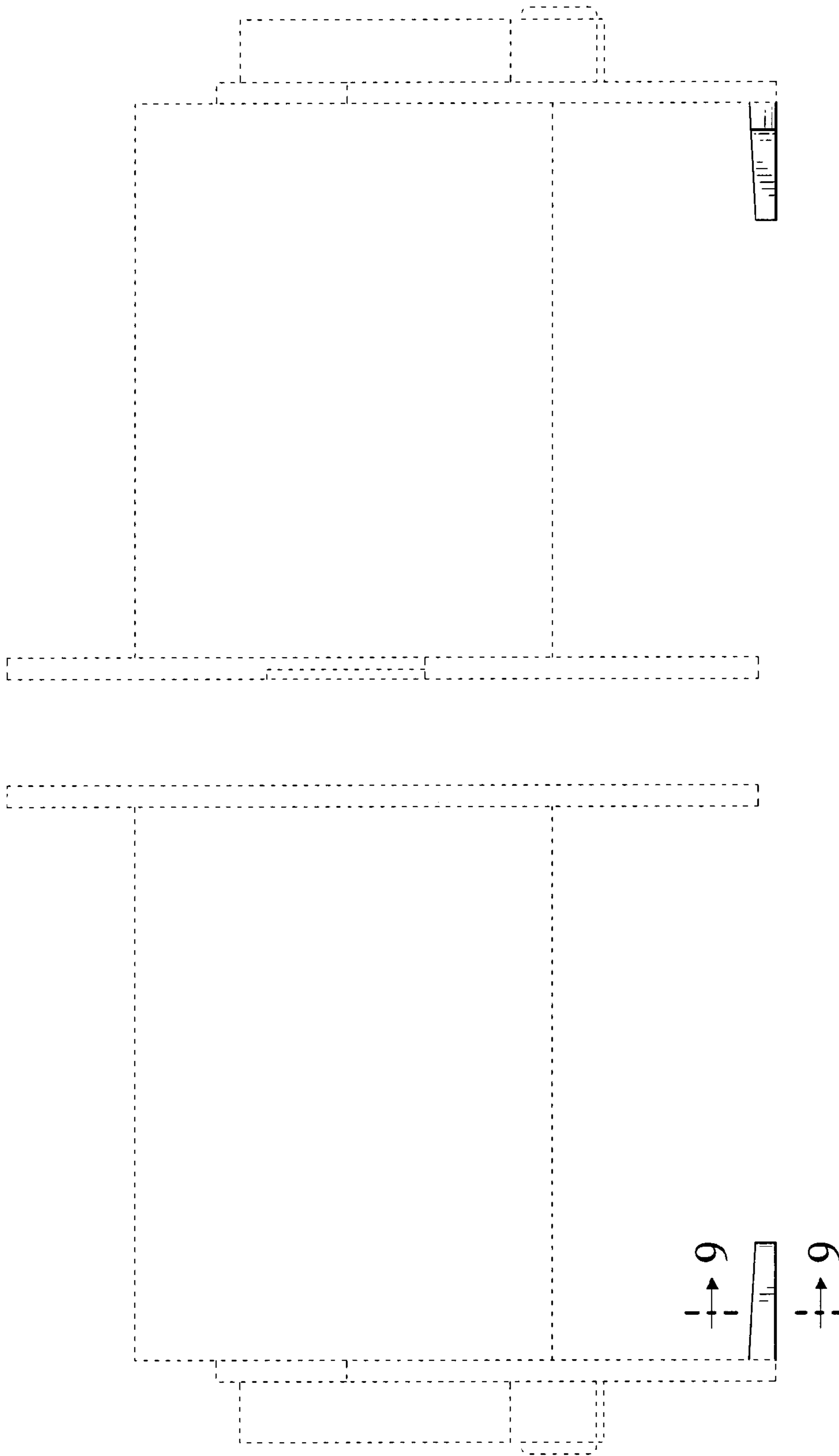


FIG. 4

FIG. 3

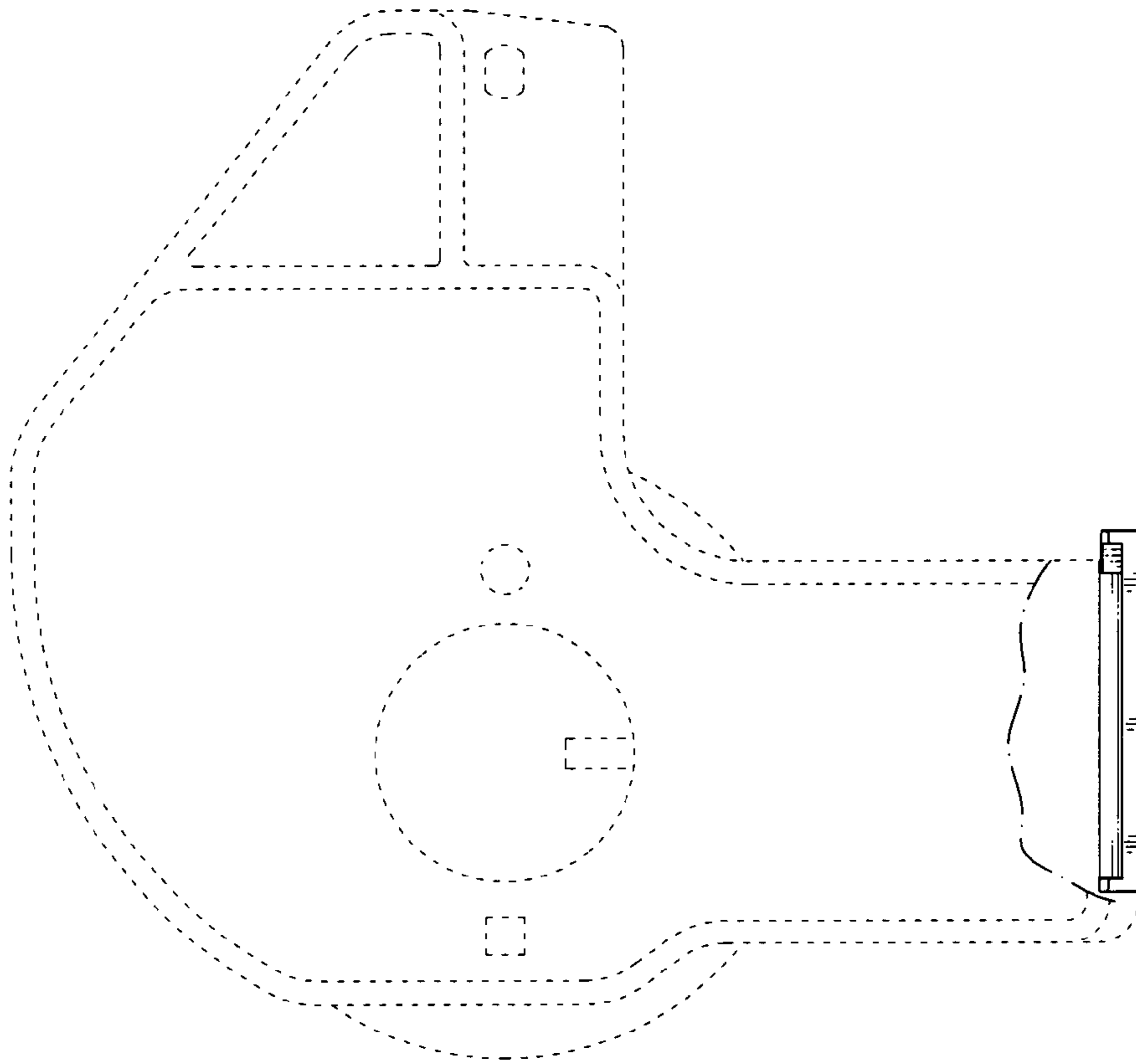


FIG. 6

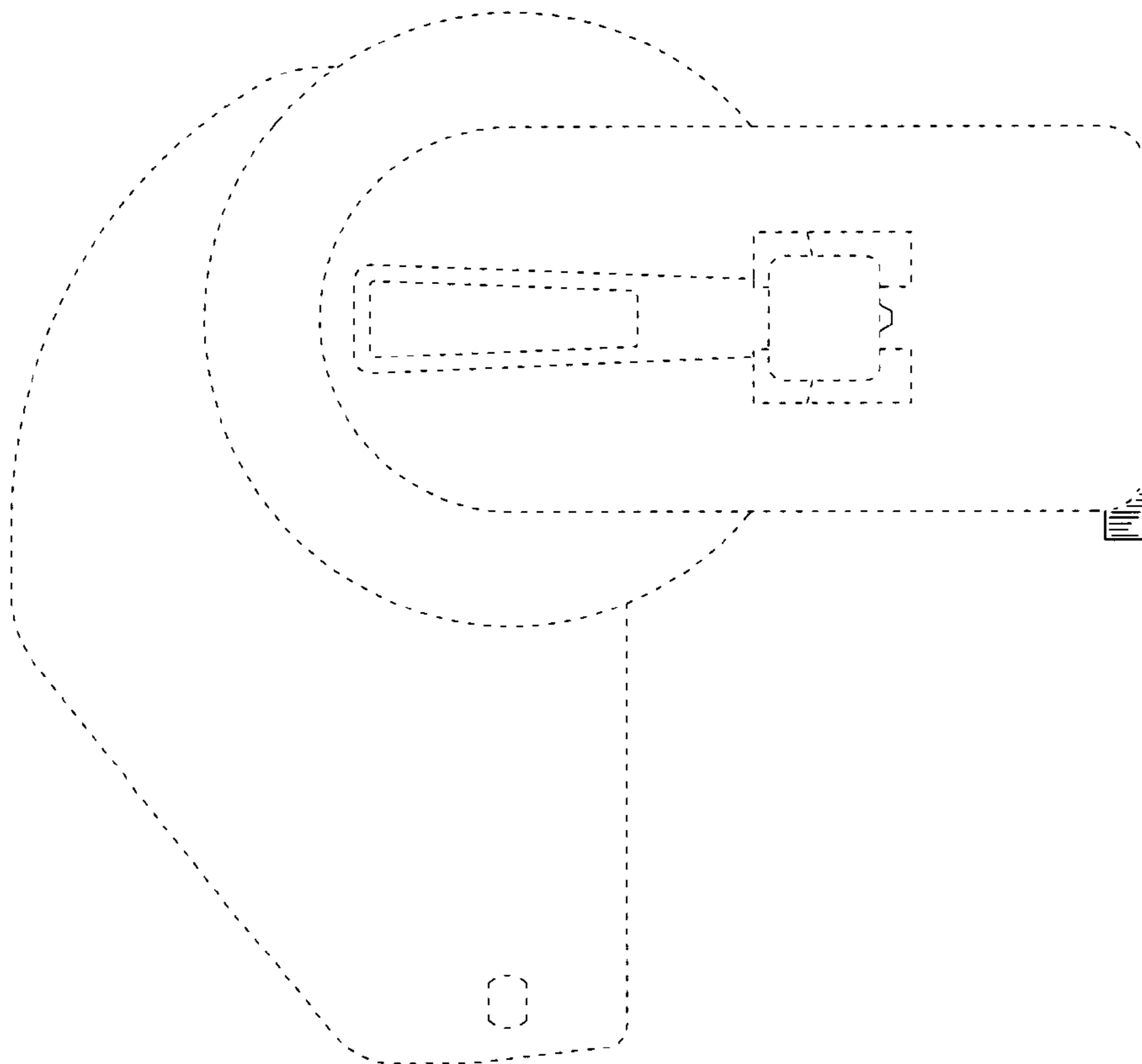


FIG. 5

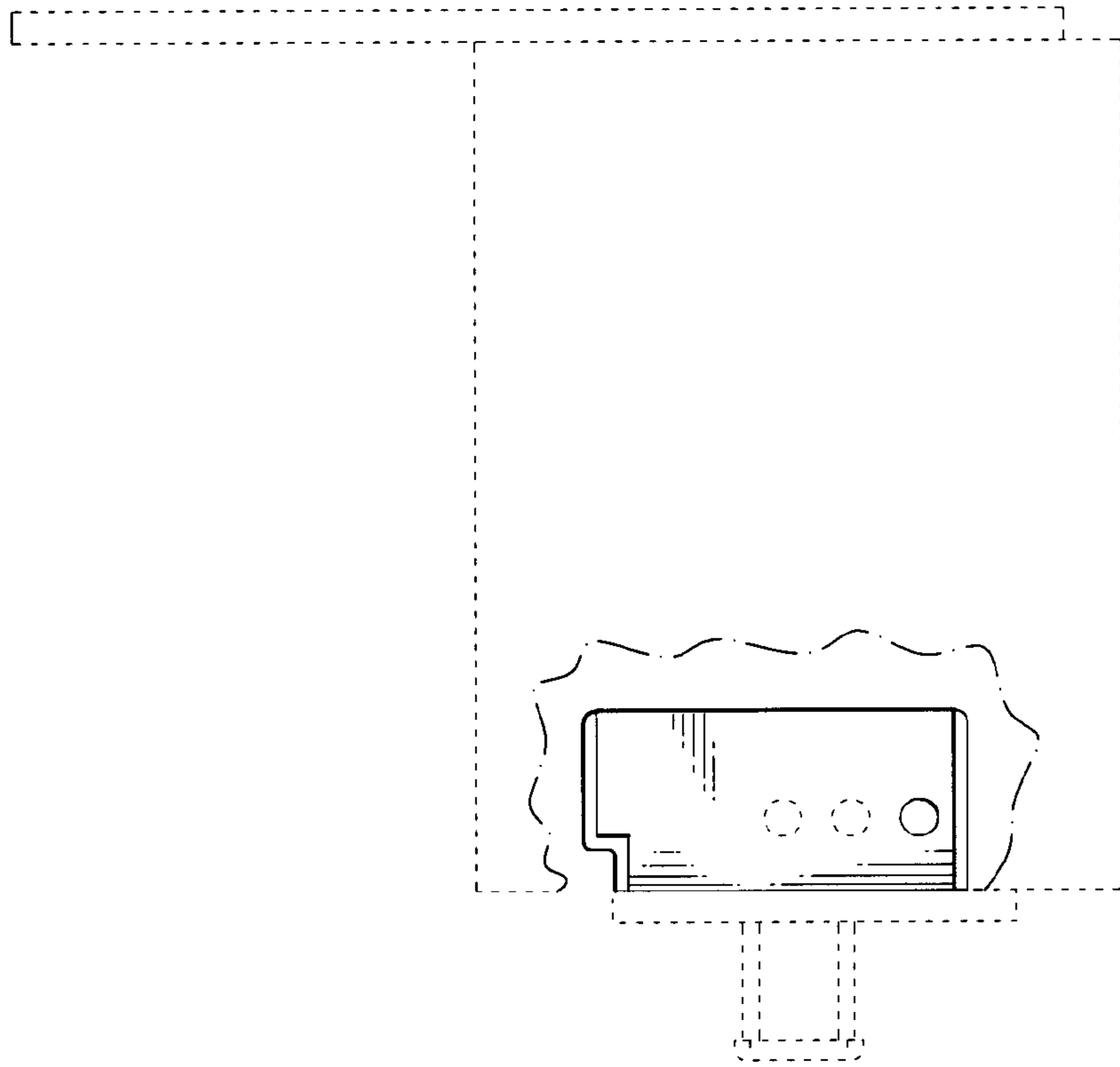


FIG. 8

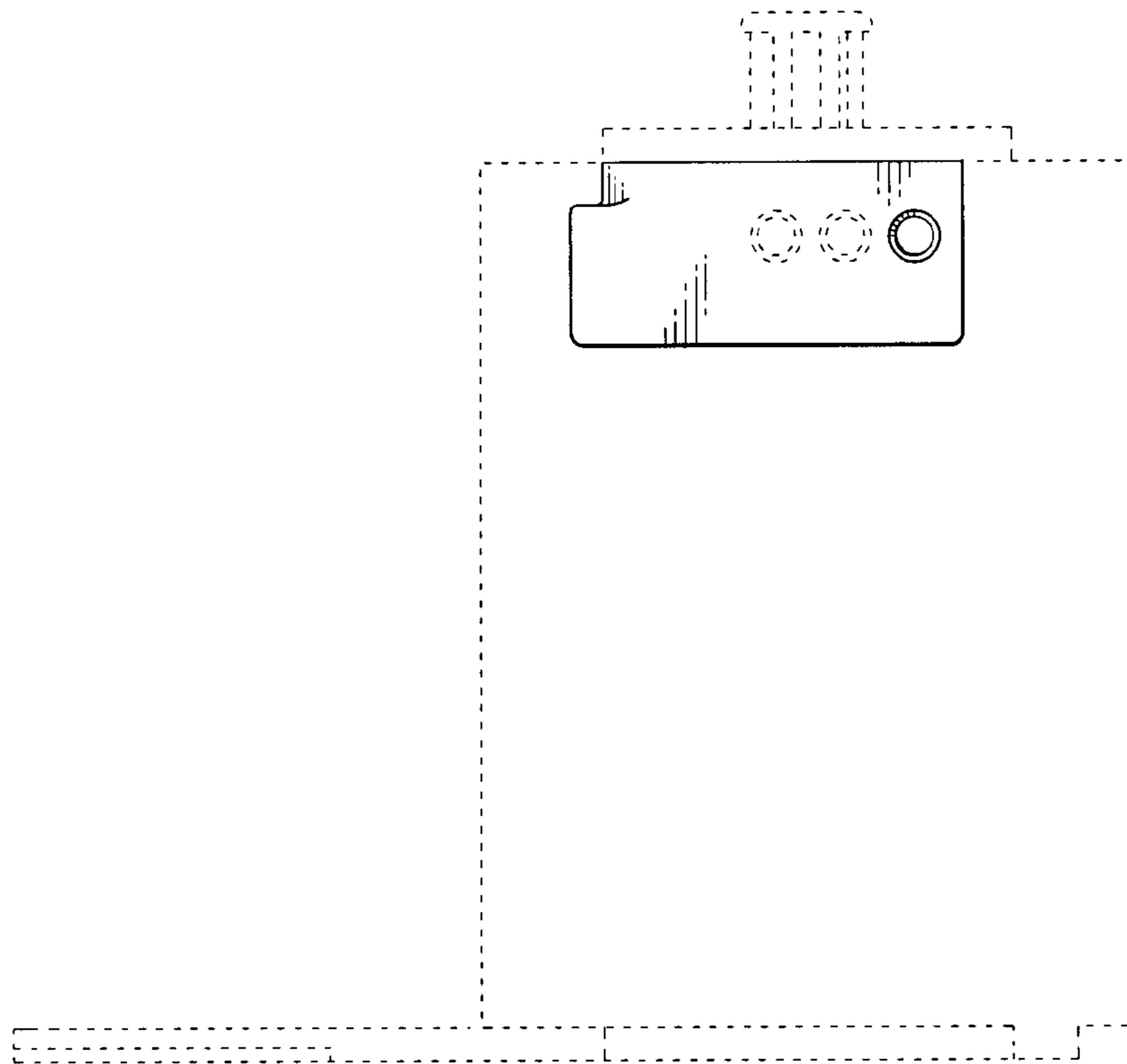


FIG. 7

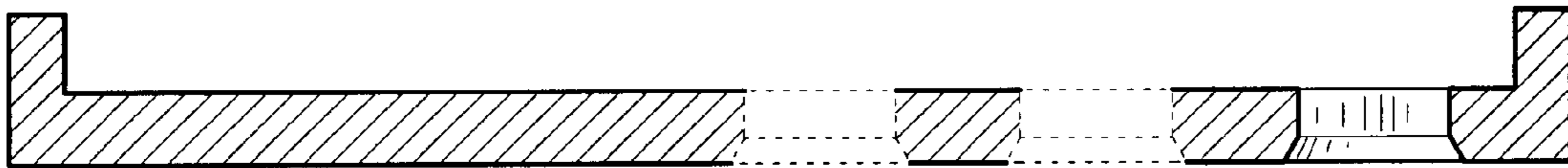


FIG. 9

UNITED STATES PATENT AND TRADEMARK OFFICE
CERTIFICATE OF CORRECTION

PATENT NO. : Des. 527,420 S
APPLICATION NO. : 29/234320
DATED : August 29, 2006
INVENTOR(S) : Hiroyuki Okuchi and Kiyoshi Sugimoto

Page 1 of 1

It is certified that error appears in the above-identified patent and that said Letters Patent is hereby corrected as shown below:

On the Cover Page:

(30) **Foreign Application Priority Data** should read

Mar. 30, 2005 (JP)..... 2005-009459

Signed and Sealed this

Second Day of January, 2007

A handwritten signature in black ink on a dotted background. The signature reads "Jon W. Dudas" in a cursive style.

JON W. DUDAS

Director of the United States Patent and Trademark Office