



US00D527415S

(12) **United States Design Patent**
Omuro et al.

(10) **Patent No.:** **US D527,415 S**

(45) **Date of Patent:** **** Aug. 29, 2006**

(54) **MULTI-FUNCTION PRINTER**

(75) Inventors: **Makoto Omuro**, Matsumoto (JP);
Toshiya Matsuse, Shiojiri (JP); **Kenichi Hirabayashi**, Shiojiri (JP)

(73) Assignee: **Seiko Epson Corporation** (JP)

(**) Term: **14 Years**

(21) Appl. No.: **29/240,711**

(22) Filed: **Oct. 17, 2005**

Related U.S. Application Data

(62) Division of application No. 29/202,752, filed on Apr. 2, 2004.

(30) **Foreign Application Priority Data**

Nov. 13, 2003 (JP) 2003-033941
Nov. 13, 2003 (JP) 2003-033942
Nov. 13, 2003 (JP) 2003-033943

(51) **LOC (8) Cl.** **18-02**

(52) **U.S. Cl.** **D18/50**

(58) **Field of Classification Search** D18/19,
D18/36-41, 50, 53, 54, 54.1, 55; D14/420-425,
D14/462-470; 400/613, 613.1-613.4, 690.1-690.4
See application file for complete search history.

(56) **References Cited**

U.S. PATENT DOCUMENTS

D236,489 S 8/1975 Pycha et al. D14/359
D294,367 S 2/1988 Nishibori et al. D18/54.1
D297,237 S 8/1988 Long D18/55
D297,326 S 8/1988 Williams D18/55
D304,203 S * 10/1989 Kato et al. D18/55

D304,457 S 11/1989 Tsukada D18/54.1
D319,633 S 9/1991 Nogawa D18/19
D320,226 S * 9/1991 Hermann et al. D18/50
D323,526 S 1/1992 Kobayashi D18/54
D343,408 S 1/1994 Hermann D18/50
D343,413 S * 1/1994 Arakaki et al. D18/55
D359,951 S 7/1995 Nair et al. D14/387
D368,896 S 4/1996 Gannon et al. D14/386
D424,100 S 5/2000 Hesselbach D18/50
6,789,969 B1 9/2004 Hirabayashi et al. 400/693
D509,240 S 9/2005 Kimura et al. D18/50

* cited by examiner

Primary Examiner—Louis S. Zarfaz

Assistant Examiner—Anhdao Doan

(74) *Attorney, Agent, or Firm*—Harness, Dickey & Pierce, P.L.C.

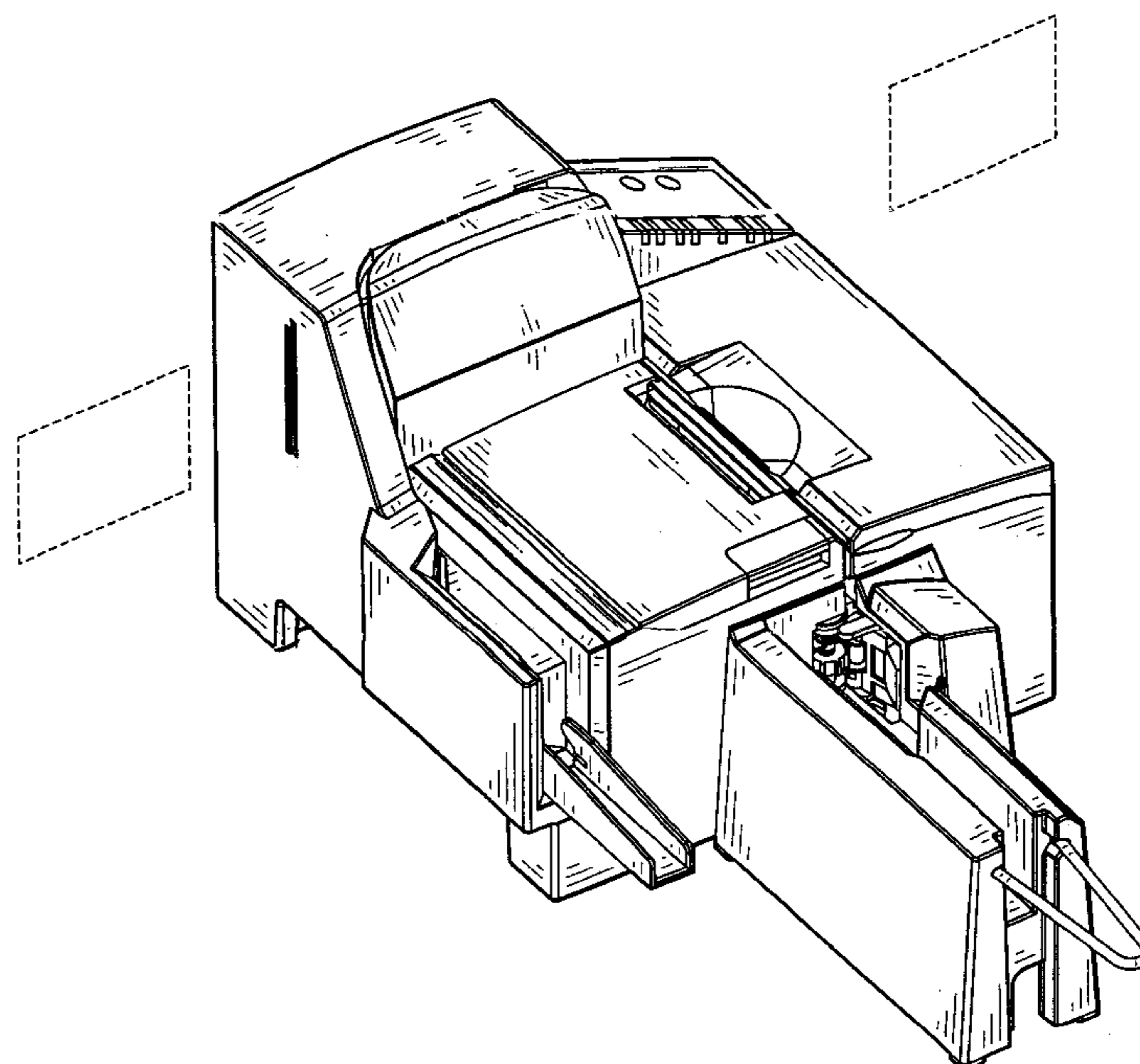
(57) **CLAIM**

The ornamental design for a multi-function printer, as shown and described.

DESCRIPTION

FIG. 1 is a top, right side perspective view of a multi-function printer embodying our new design;
FIG. 2 is a top, left side perspective view thereof in which driver's licenses are shown in broken lines, depicting one driver's license entering on the right and another existing on the left forming no part of the claimed invention;
FIG. 3 is a right side view thereof;
FIG. 4 is a left side view thereof;
FIG. 5 is a front view thereof;
FIG. 6 is a rear view thereof;
FIG. 7 is a top view thereof; and,
FIG. 8 is a bottom view thereof.

1 Claim, 4 Drawing Sheets



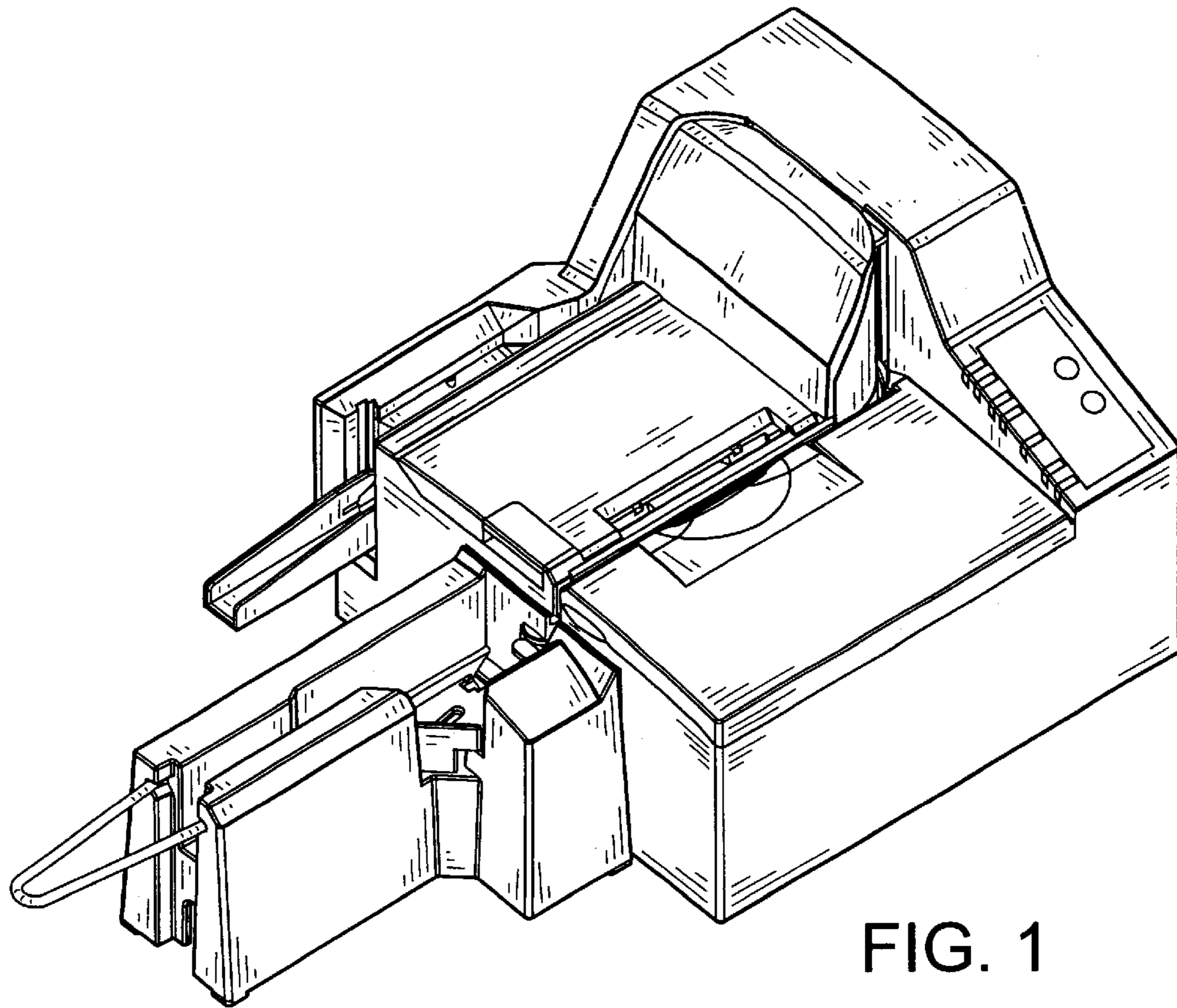


FIG. 1

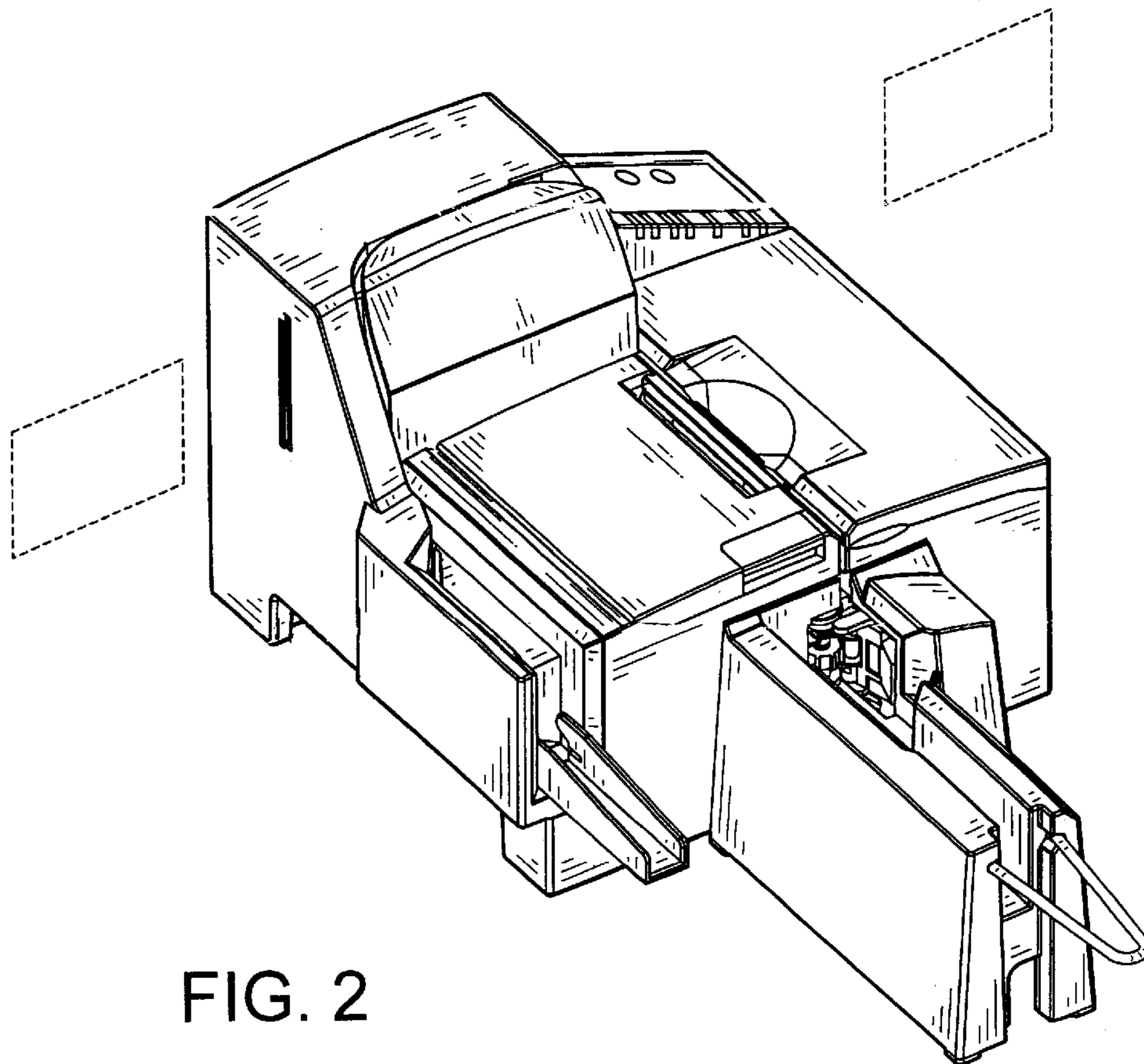


FIG. 2

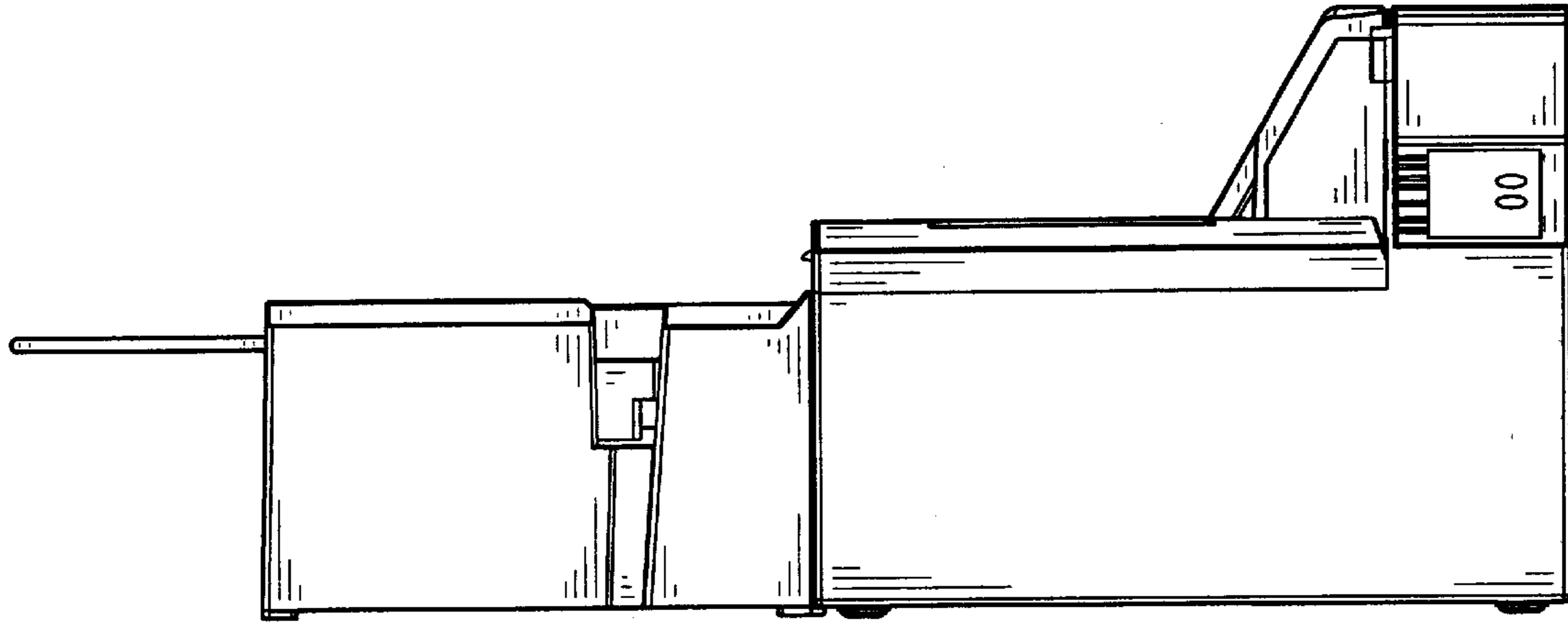


FIG. 3

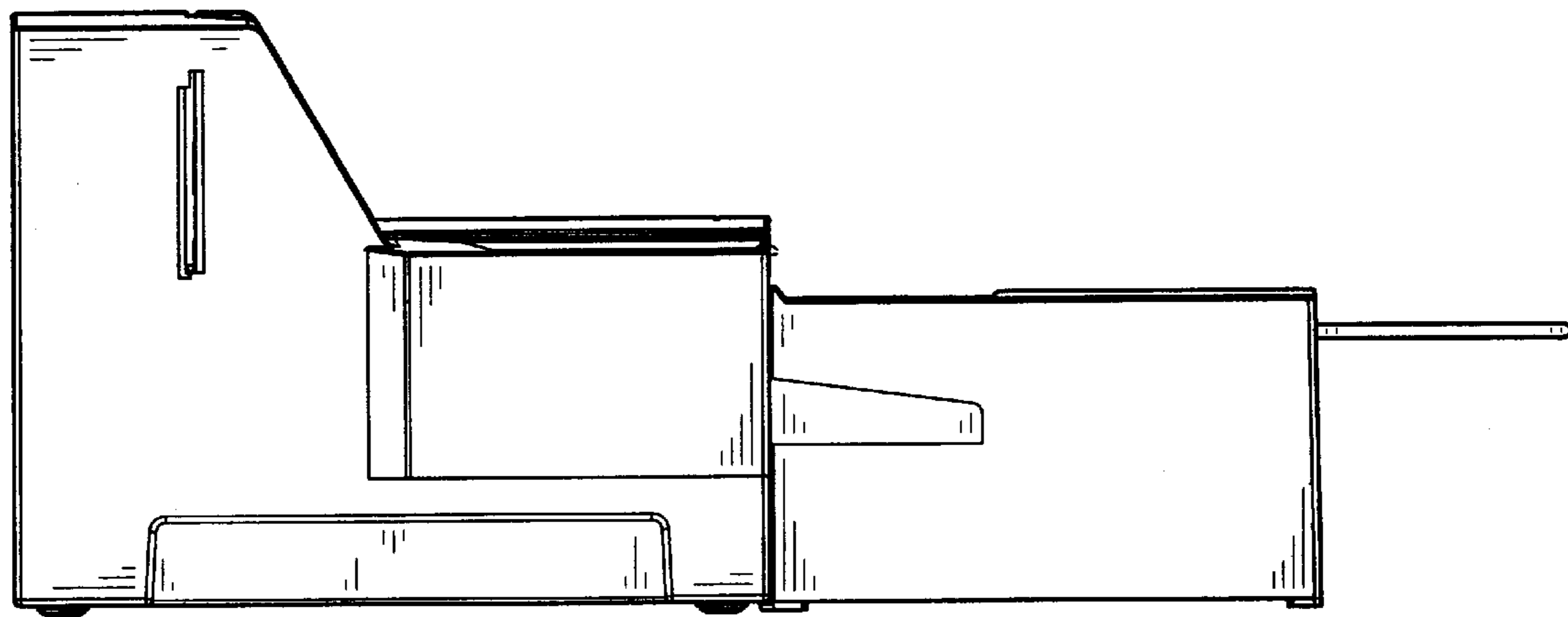


FIG. 4

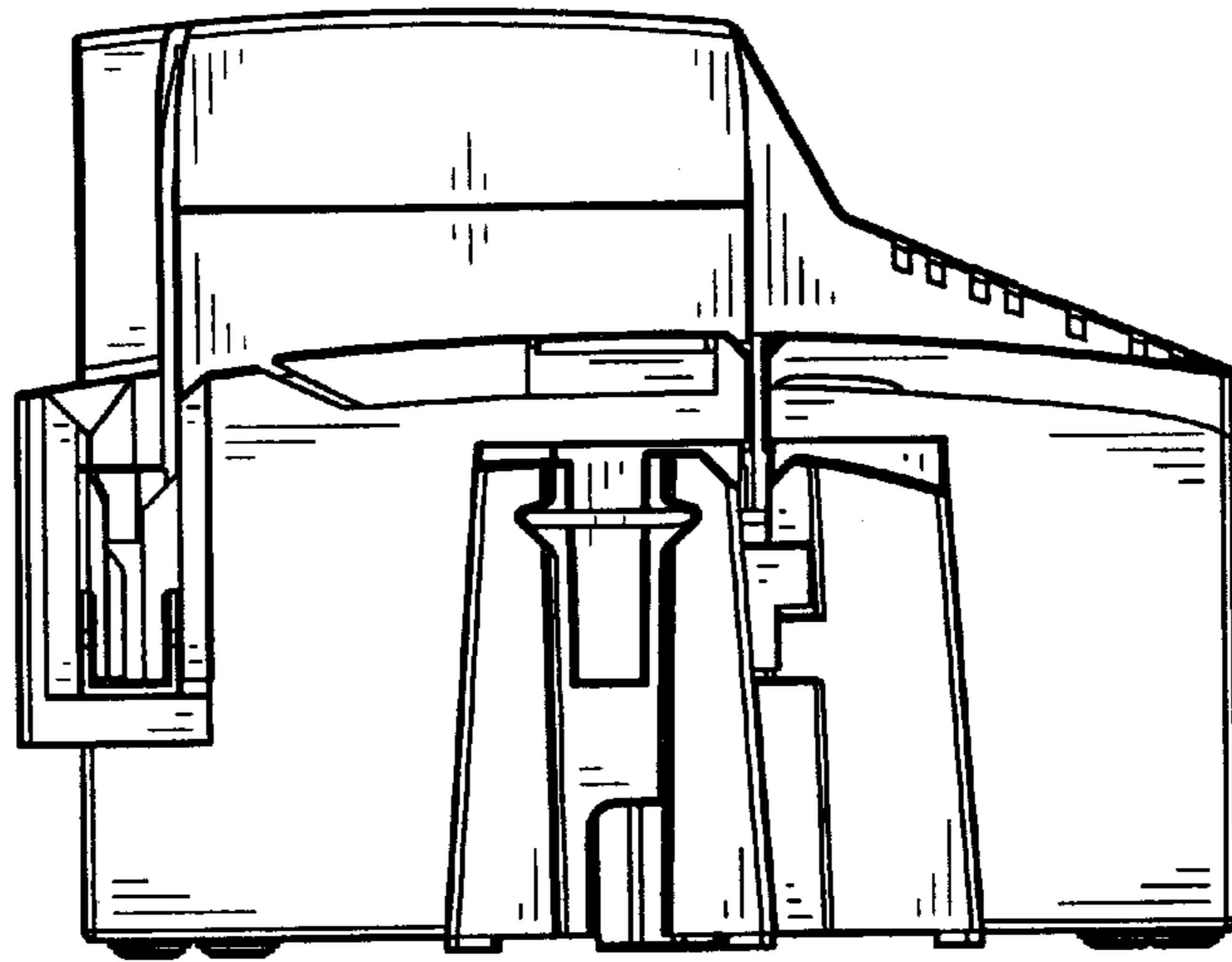


FIG. 5

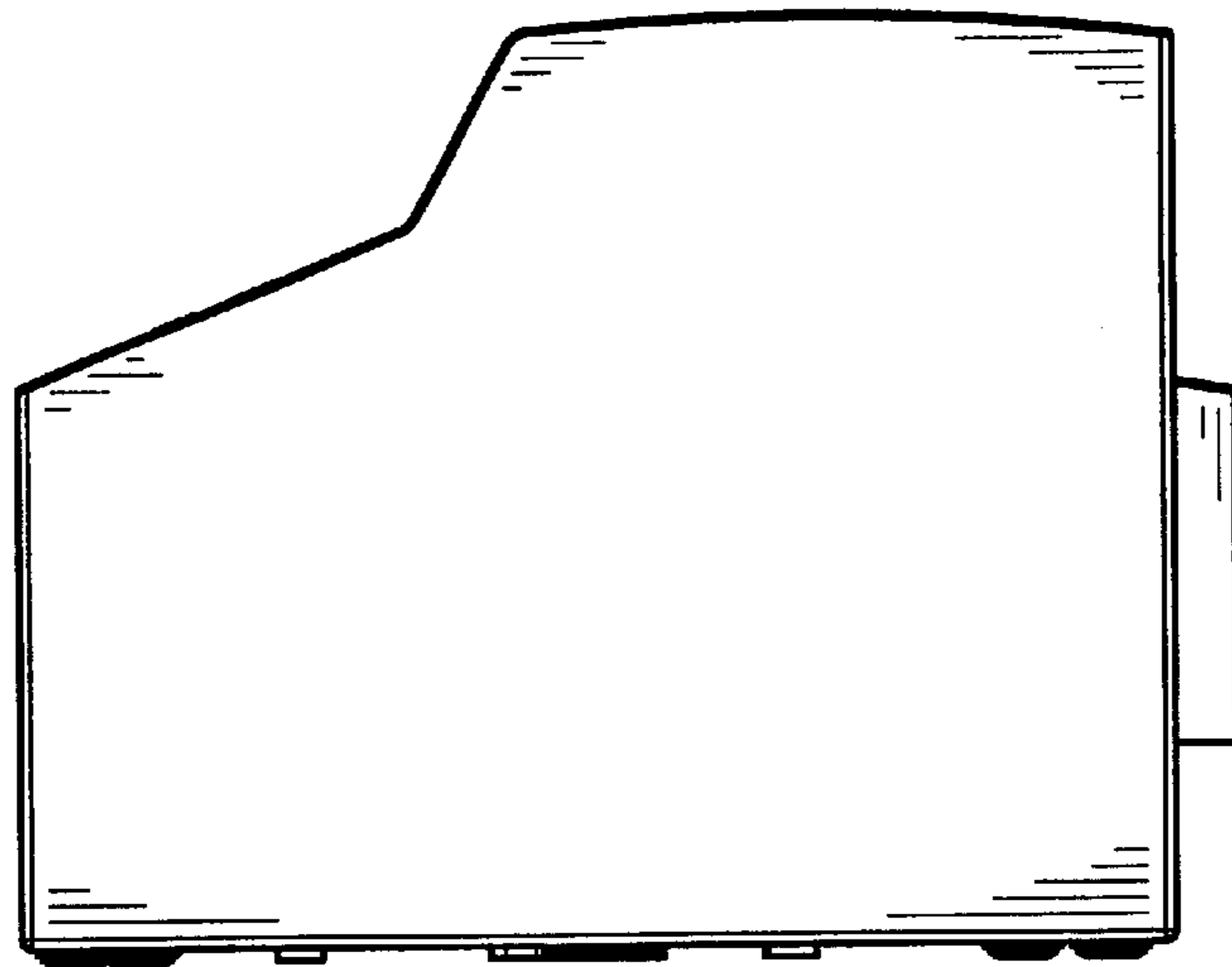


FIG. 6

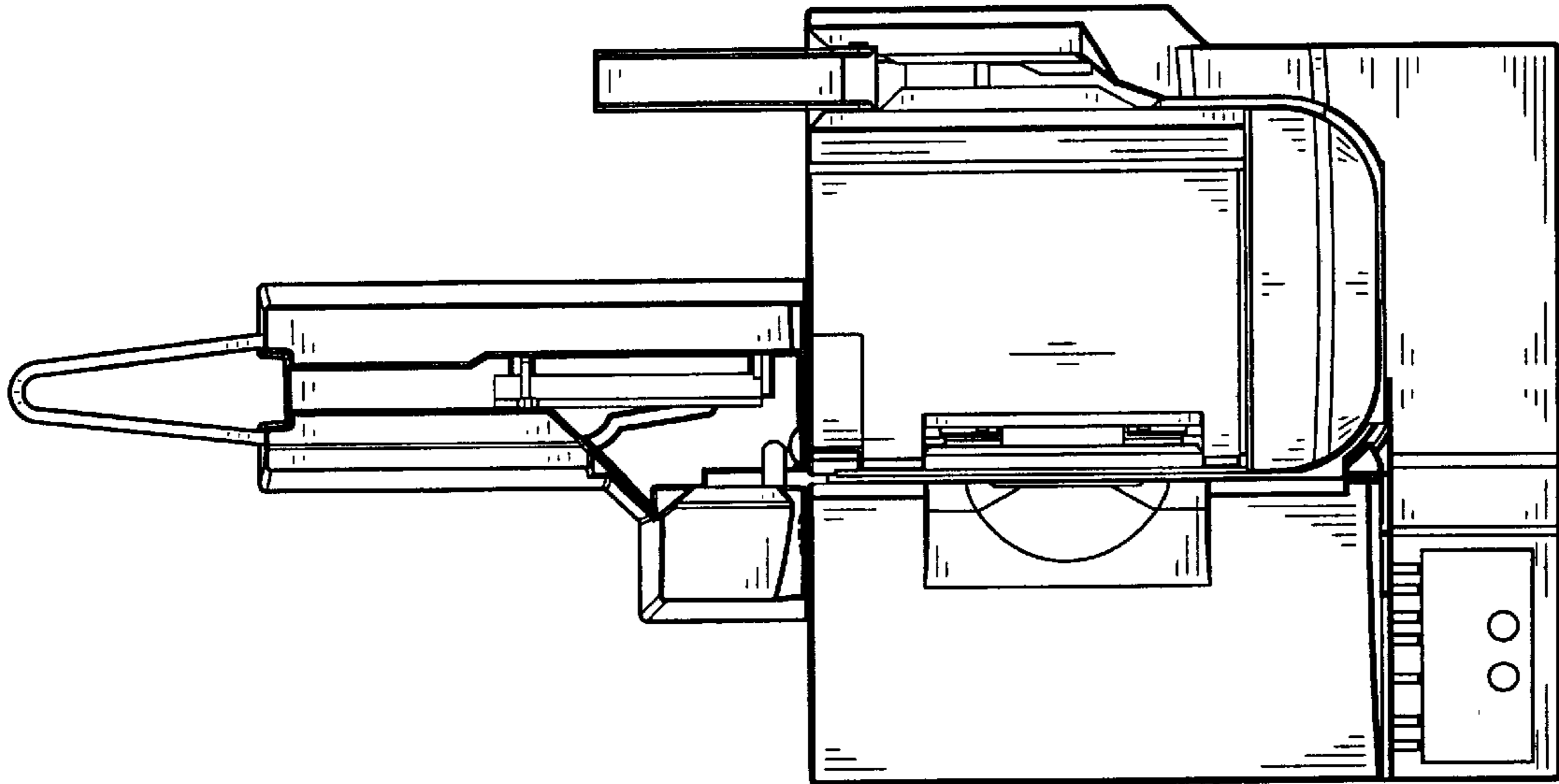


FIG. 7

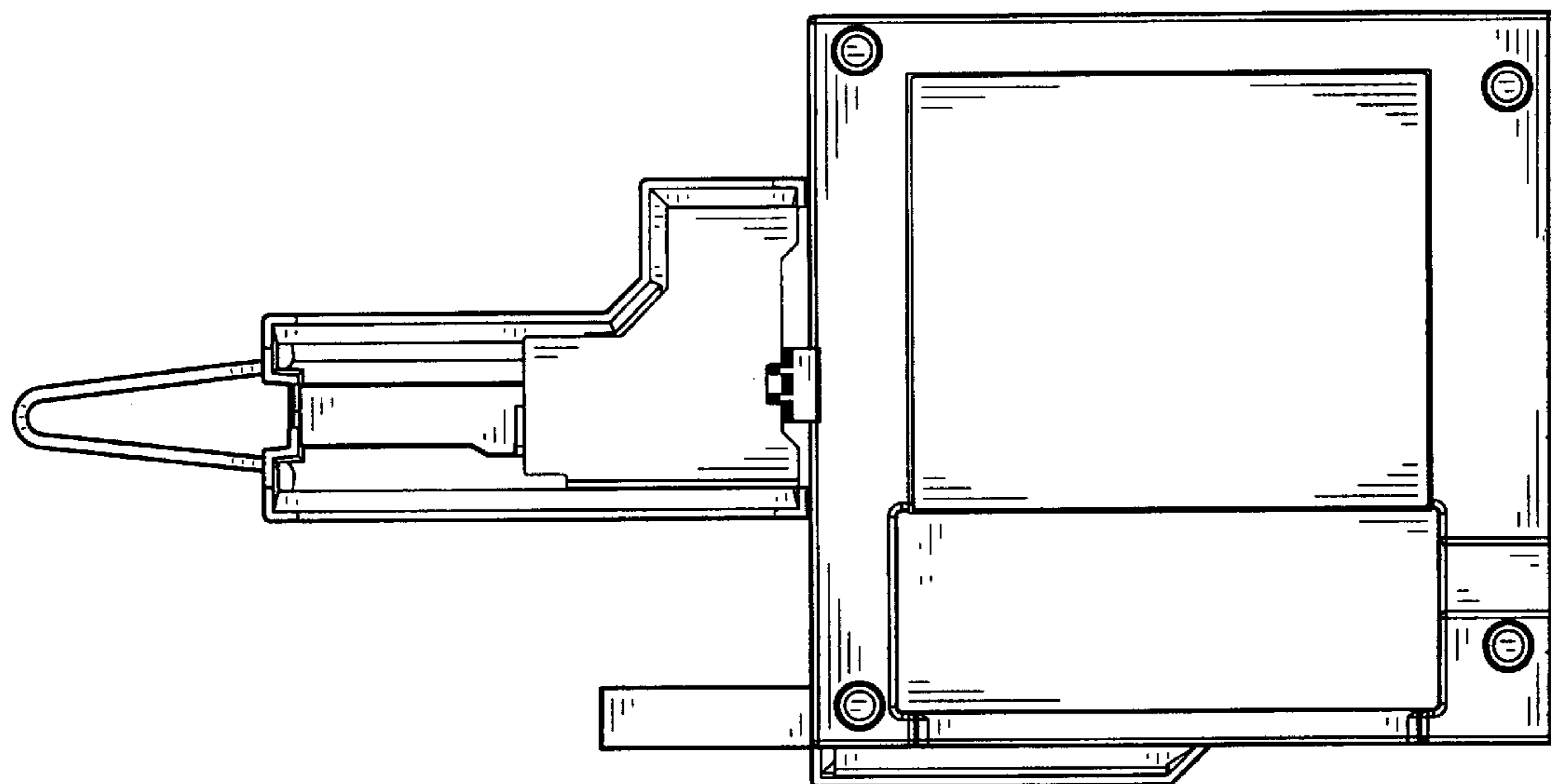


FIG. 8