



US00D527413S

(12) **United States Design Patent**  
**Delaney et al.**

(10) **Patent No.:** **US D527,413 S**

(45) **Date of Patent:** **\*\* Aug. 29, 2006**

(54) **TRANSACTION PRINTER**

(75) Inventors: **Robert Delaney**, Ithaca, NY (US);  
**Jeffrey Koepele**, Ithaca, NY (US);  
**Theron L. Wildey**, Ithaca, NY (US)

(73) Assignee: **Axiom Transaction Solutions, Inc.**,  
Ithaca, NY (US)

(\*\*) Term: **14 Years**

(21) Appl. No.: **29/211,103**

(22) Filed: **Aug. 11, 2004**

(51) **LOC (8) Cl.** ..... **18-02**

(52) **U.S. Cl.** ..... **D18/50**

(58) **Field of Classification Search** ..... D18/36-39,  
D18/50, 54, 54.1, 55; D14/420-425, 462-470;  
400/613, 613.1-613.4, 690.1-690.4, 691-694  
See application file for complete search history.

(56) **References Cited**

U.S. PATENT DOCUMENTS

D297,326 S \* 8/1988 Williams ..... D18/55  
D323,526 S \* 1/1992 Kobayashi ..... D18/54  
D324,234 S \* 2/1992 Tanaka ..... D18/54

D369,177 S \* 4/1996 Kasai et al. .... D18/54  
D439,273 S \* 3/2001 Sato et al. .... D18/54.1  
2003/0170064 A1 \* 9/2003 Hetzer et al. .... 400/693

\* cited by examiner

*Primary Examiner*—Cathy Anne MacCormac

(74) *Attorney, Agent, or Firm*—George R. McGuire; Bond,  
Schoeneck & King, PLLC

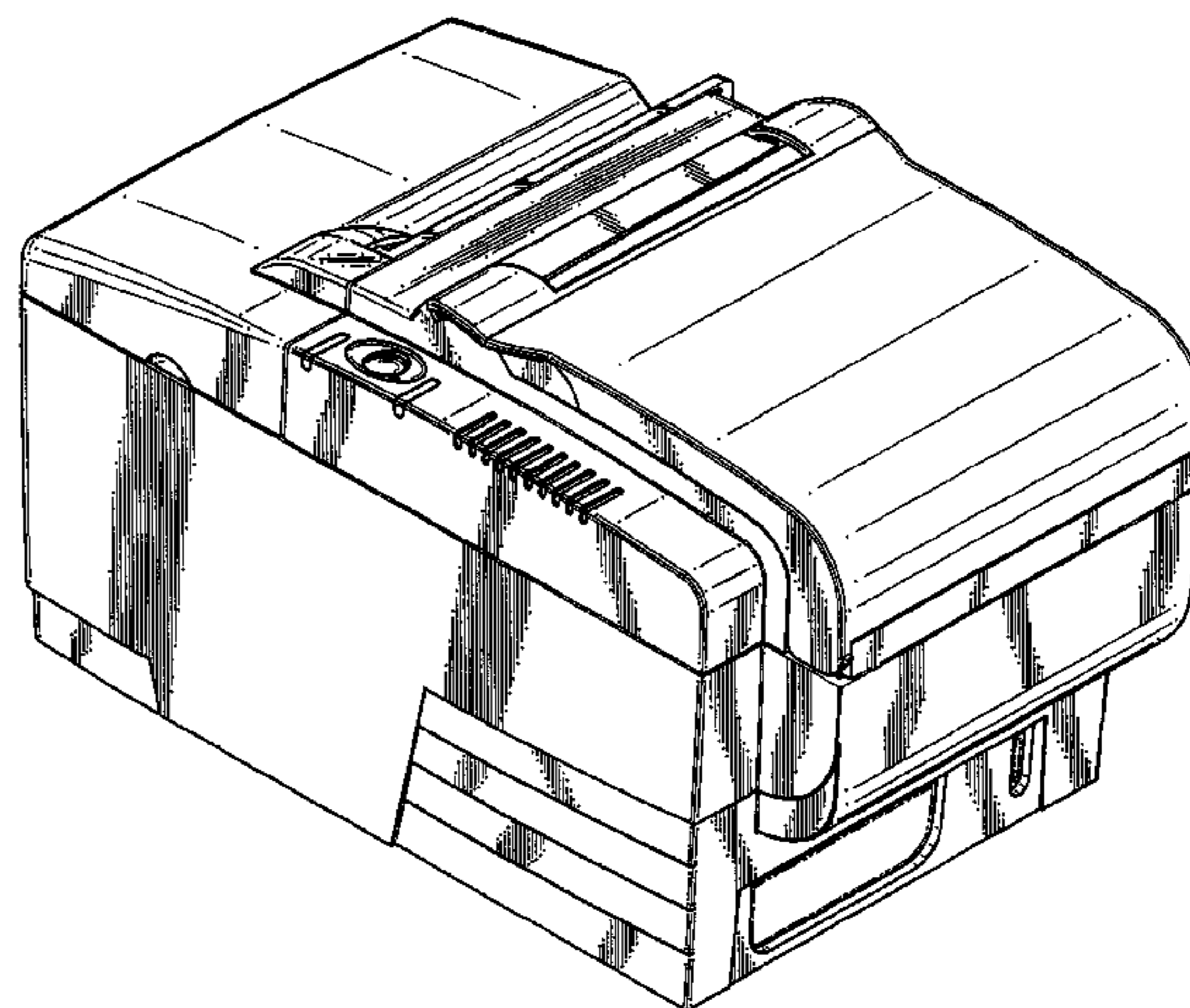
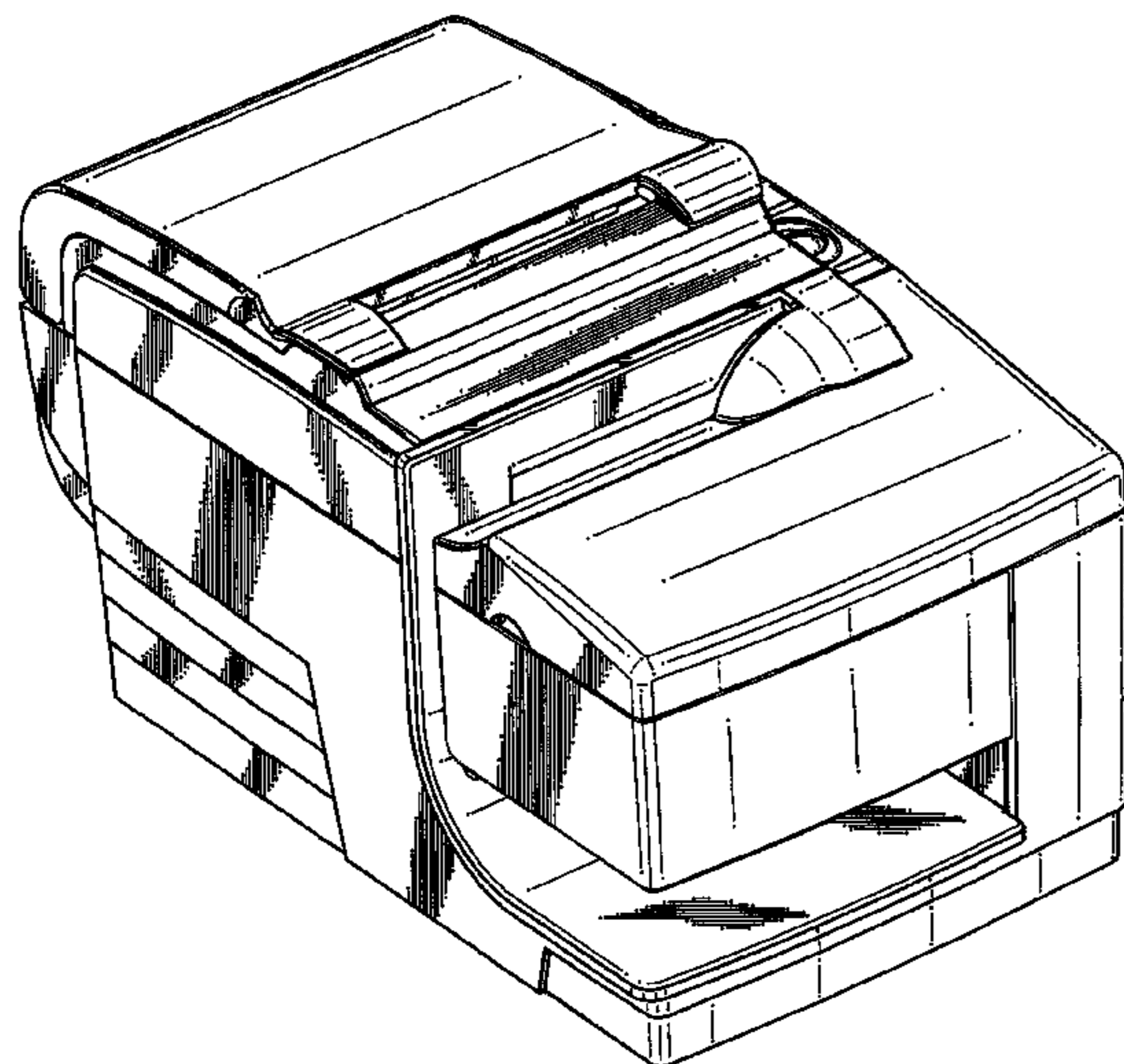
(57) **CLAIM**

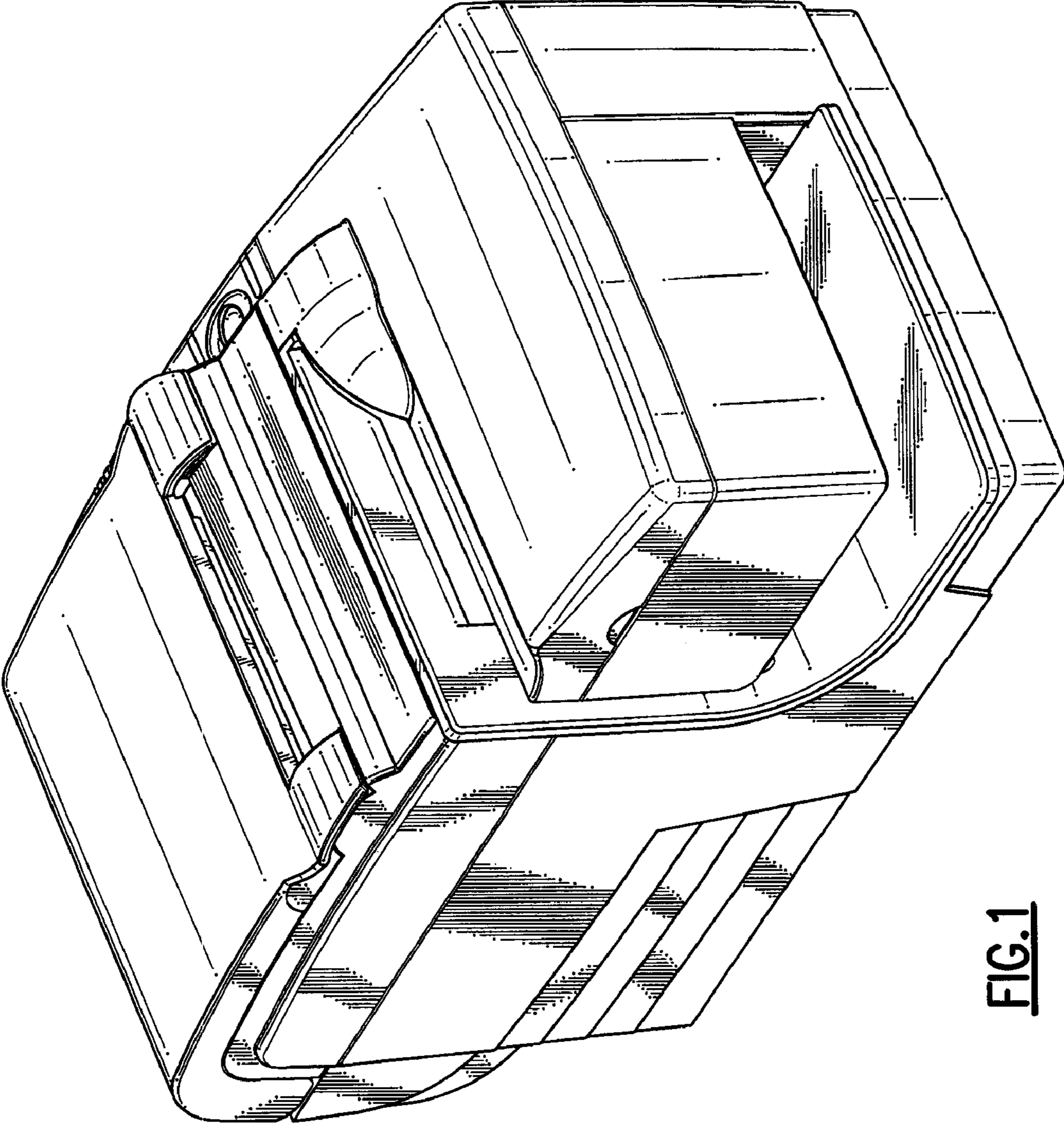
The ornamental design for a transaction printer, as shown  
and described.

**DESCRIPTION**

FIG. 1 is a front perspective view of a new and ornamental  
design for a transaction printer;  
FIG. 2 is a rear perspective view thereof;  
FIG. 3 is a right side elevation view thereof;  
FIG. 4 is a top plan view thereof;  
FIG. 5 is a left side elevation view thereof;  
FIG. 6 is a front elevation view thereof; and,  
FIG. 7 is a rear elevation view thereof.  
The broken lines in FIGS. 2 and 7 are for illustrative  
purposes only and form no part of the claimed design.

**1 Claim, 6 Drawing Sheets**





**FIG. 1**



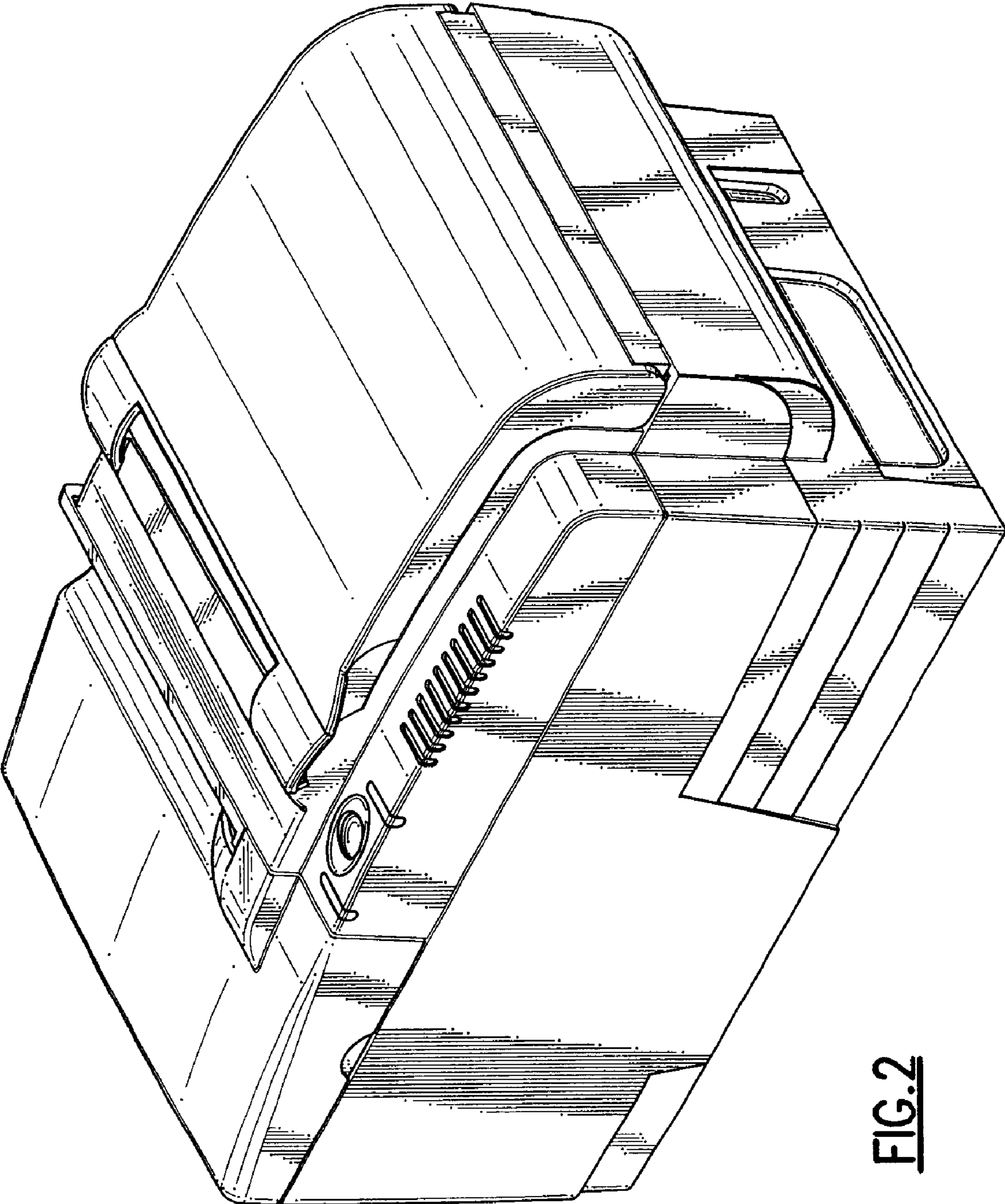


FIG. 2

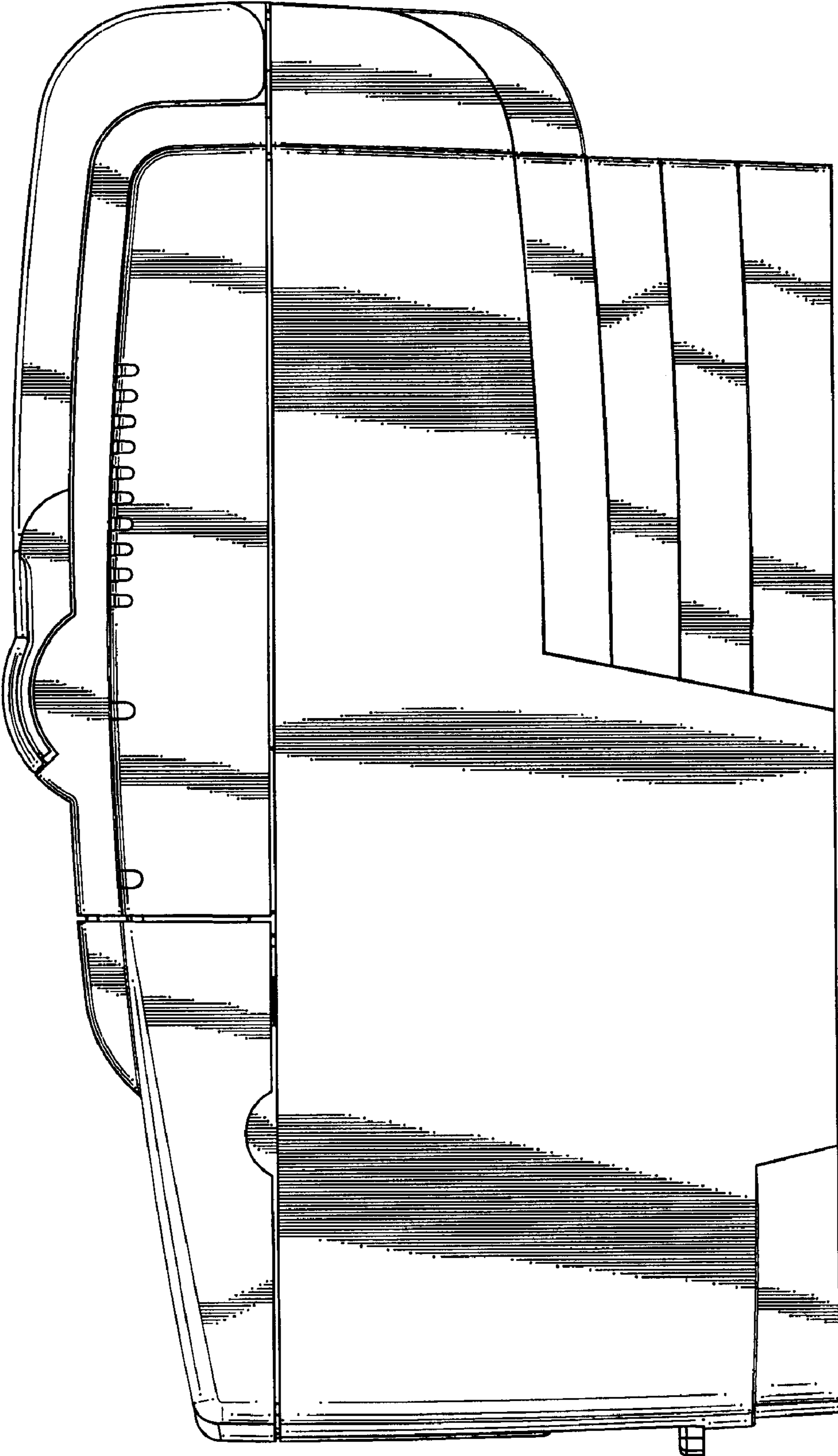


FIG.3

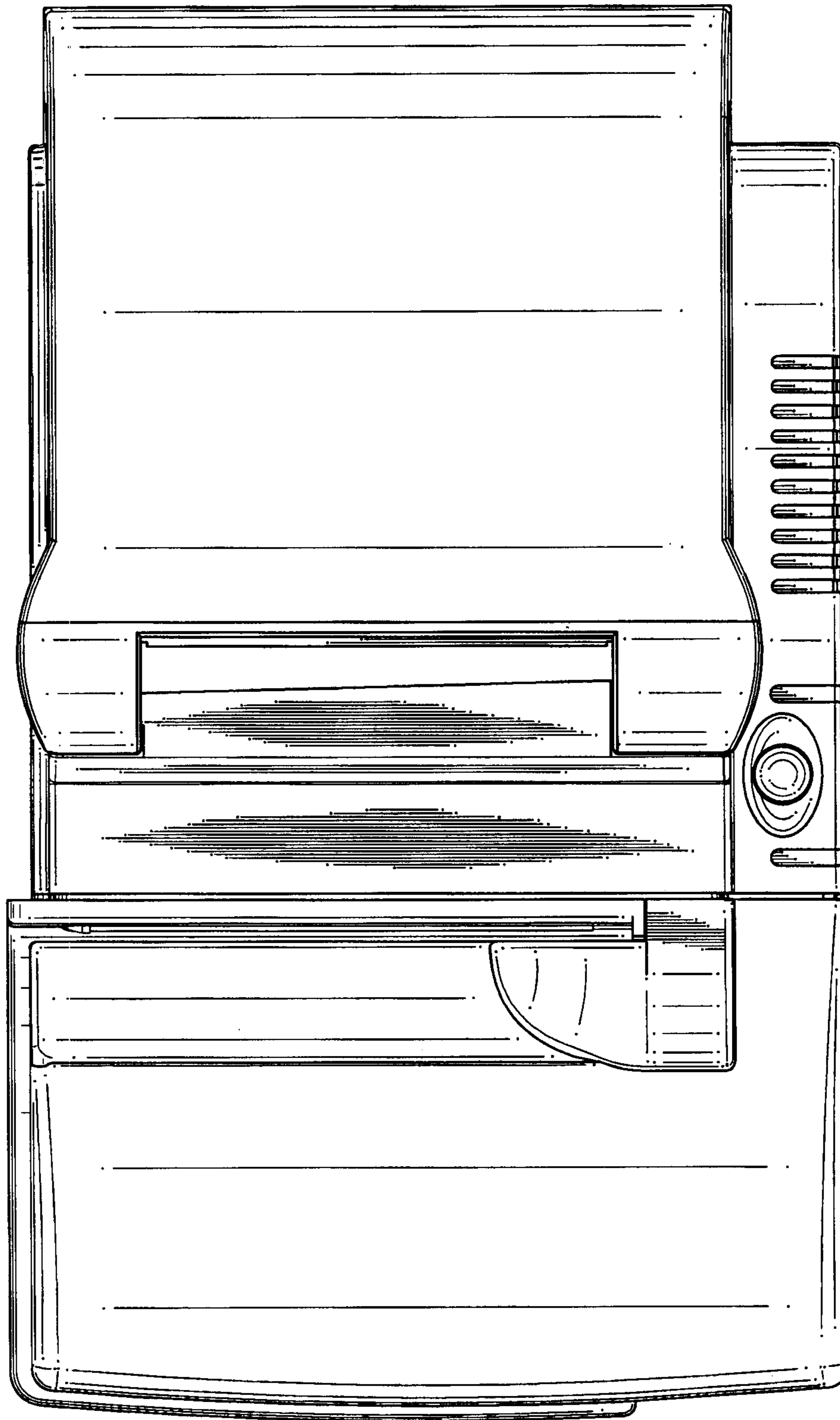


FIG.4

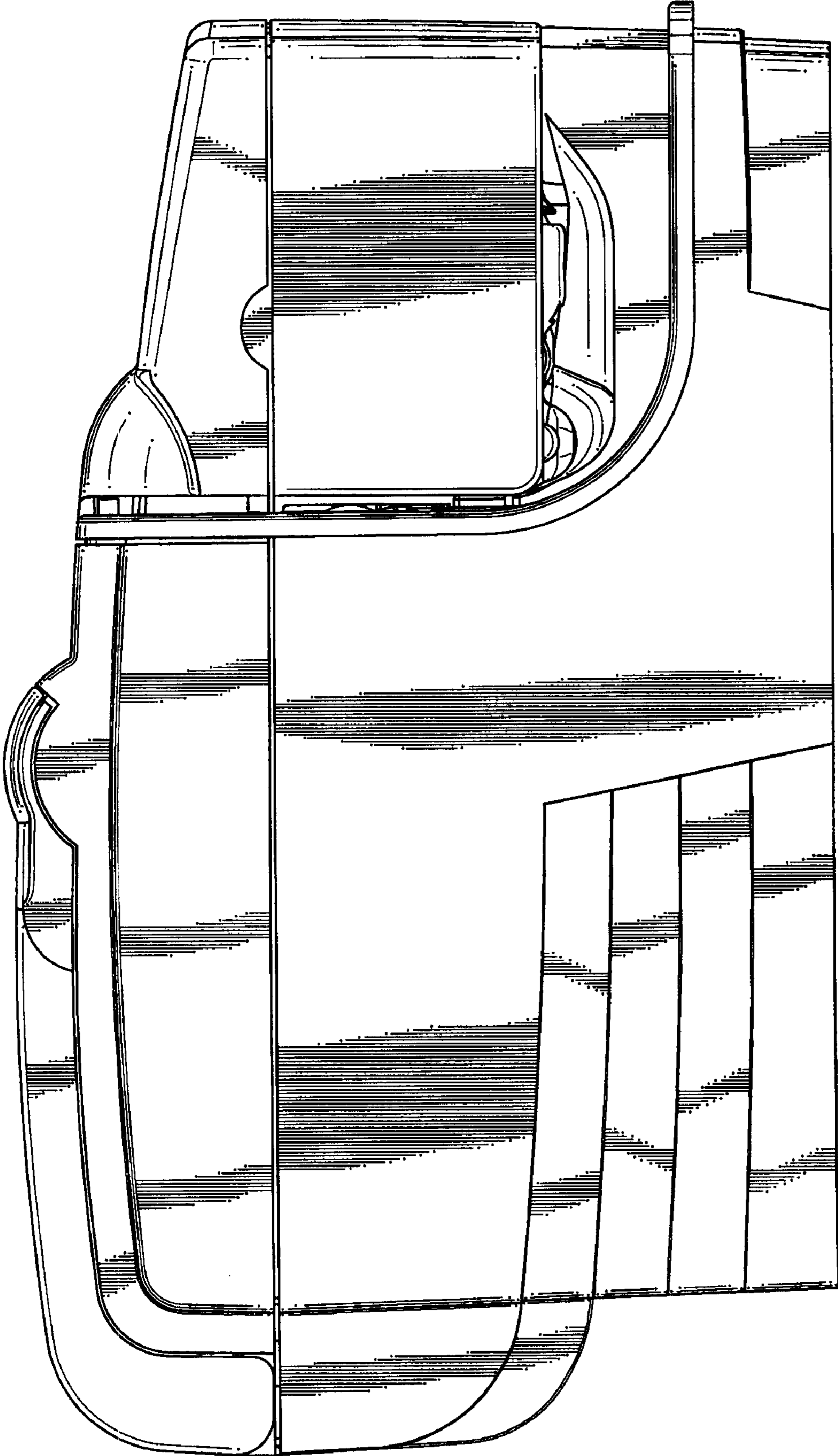


FIG. 5



FIG.6

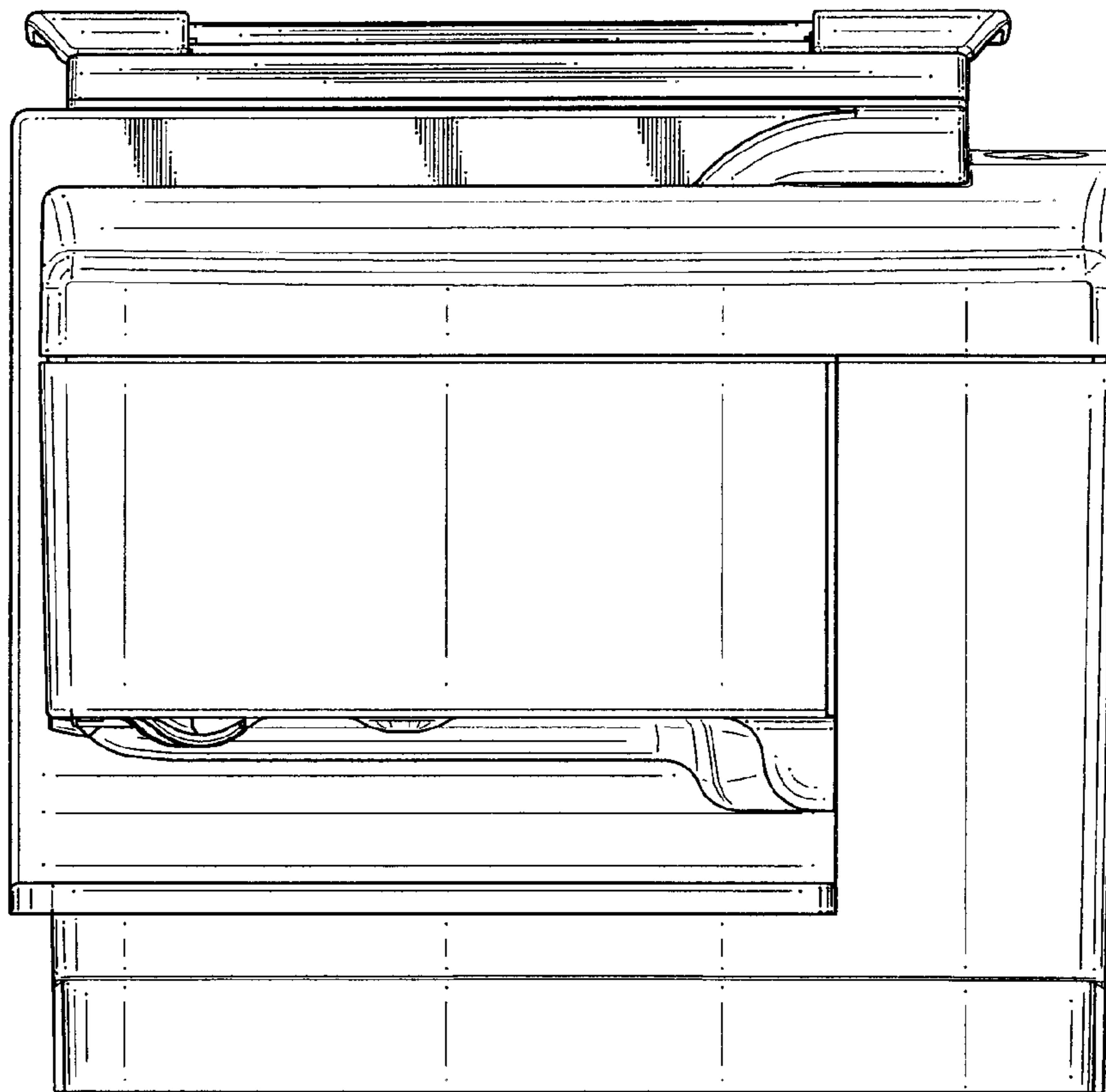


FIG.7

