

US00D527412S

(12) **United States Design Patent**
Penke et al.

(10) **Patent No.:** **US D527,412 S**

(45) **Date of Patent:** **** Aug. 29, 2006**

(54) **PART OF A DOCUMENT FEEDER WITH A MARQUEE RISER FOR AN IMAGE PROCESSING MACHINE**

(75) Inventors: **Mark S. Penke**, West Henrietta, NY (US); **Donald A. Brown**, Honeoye Falls, NY (US)

(73) Assignee: **Xerox Corporation**, Stamford, CT (US)

(**) Term: **14 Years**

(21) Appl. No.: **29/241,614**

(22) Filed: **Oct. 28, 2005**

(51) **LOC (8) Cl.** **16-03**

(52) **U.S. Cl.** **D18/40**

(58) **Field of Classification Search** D18/36-41, D18/43-49, 56; 222/DIG. 1; 271/3.14, 8.1, 271/145, 147, 160, 165, 226, 278; 355/97, 355/99, 133; 399/1-7, 35, 75, 81, 82, 99, 399/107, 120, 130, 257, 264, 327, 361, 365, 399/367, 381-383, 388, 393, 405, 411
See application file for complete search history.

(56) **References Cited**

U.S. PATENT DOCUMENTS

- D449,851 S * 10/2001 Katou et al. D18/36
- D460,478 S * 7/2002 Bishop et al. D18/55
- D468,765 S * 1/2003 Kobayashi et al. D18/55
- D479,264 S * 9/2003 Suzuki et al. D18/55

- D484,179 S * 12/2003 Penke et al. D18/40
- D484,181 S * 12/2003 Penke et al. D18/40
- D484,182 S * 12/2003 Penke et al. D18/40
- D484,531 S * 12/2003 Penke et al. D18/41
- 6,741,818 B1 * 5/2004 Penke et al. 399/81
- D510,933 S * 10/2005 Penke et al. D14/302
- 2004/0114953 A1 * 6/2004 Penke et al. 399/81

* cited by examiner

Primary Examiner—Caron Veynar

Assistant Examiner—Garth Rademaker

(74) *Attorney, Agent, or Firm*—Tallam I. Nguti

(57) **CLAIM**

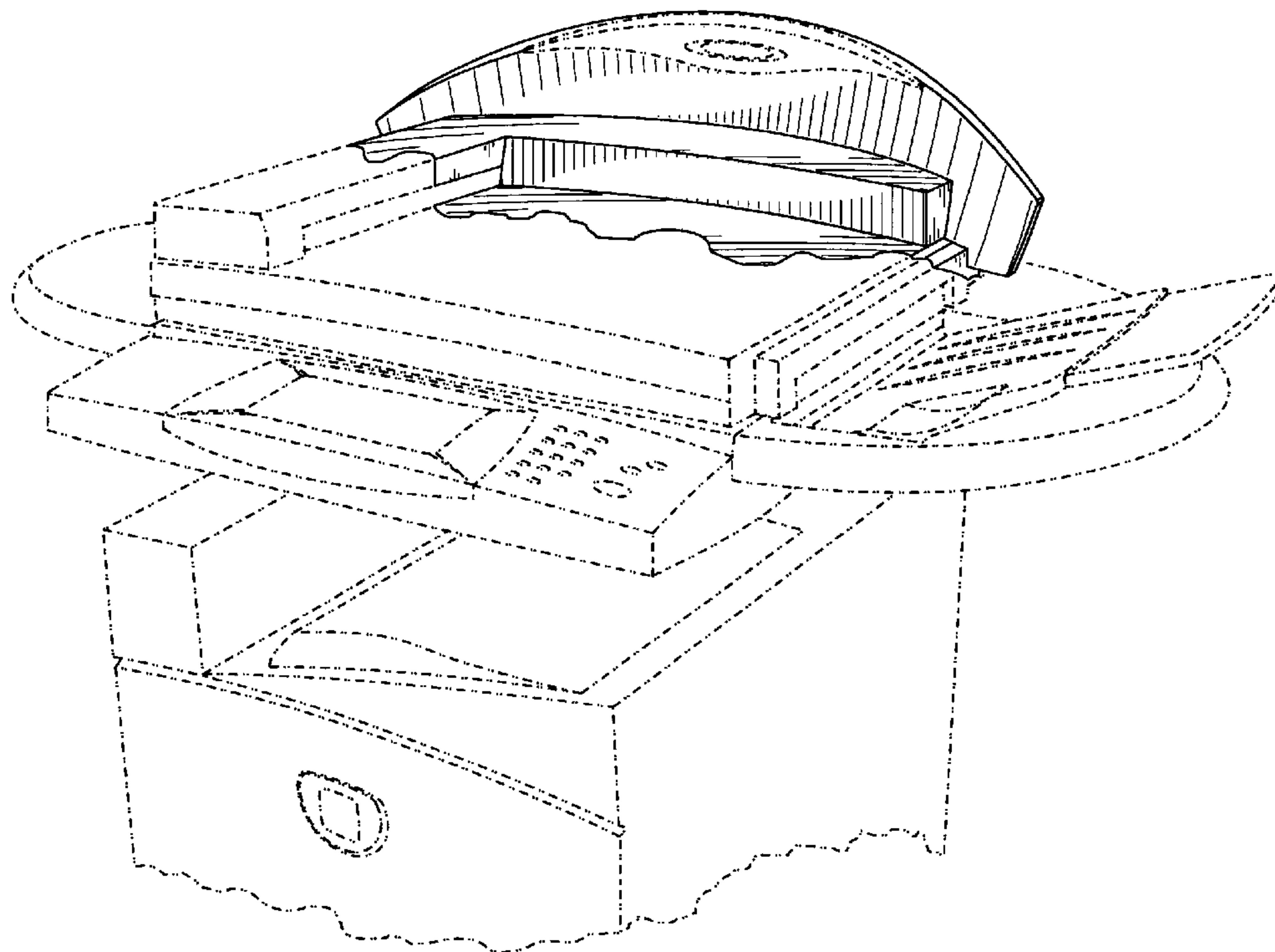
The ornamental design for a part of a document feeder with a marquee riser for an image processing machine, as shown and described.

DESCRIPTION

FIG. 1 is a perspective view of a part of a document feeder with a marquee riser for an image processing machine in accordance with the present invention; FIG. 2 is a front view thereof; FIG. 3 is a right side view thereof; FIG. 4 is a rear view thereof; FIG. 5 is a left side view thereof; and, FIG. 6 is a top view thereof.

The broken line drawings of other parts of the document feeder and of an image processing office machine in FIGS. 1-6 are for illustrative purposes only and form no part of the claimed design.

1 Claim, 4 Drawing Sheets



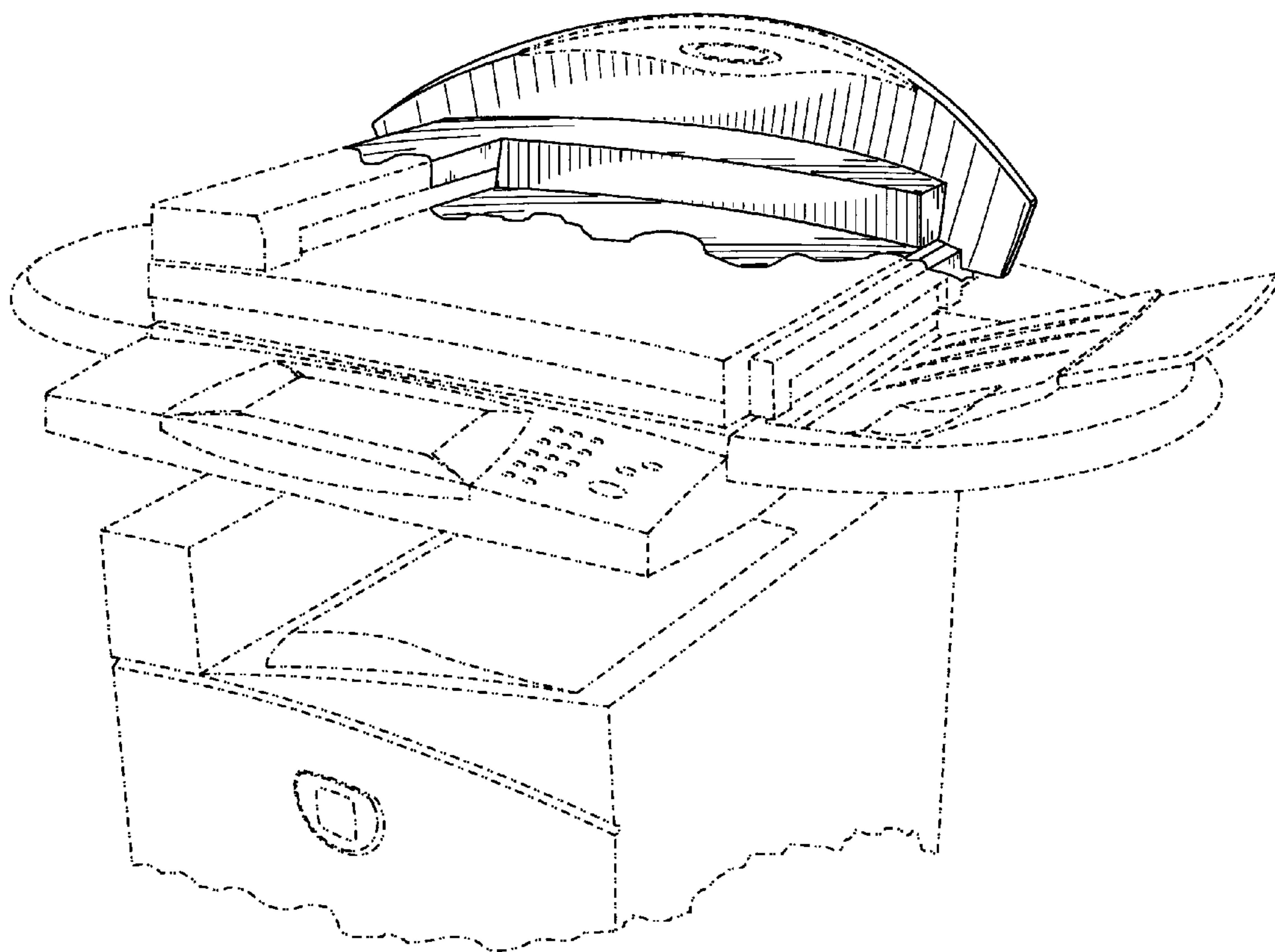


FIG. 1

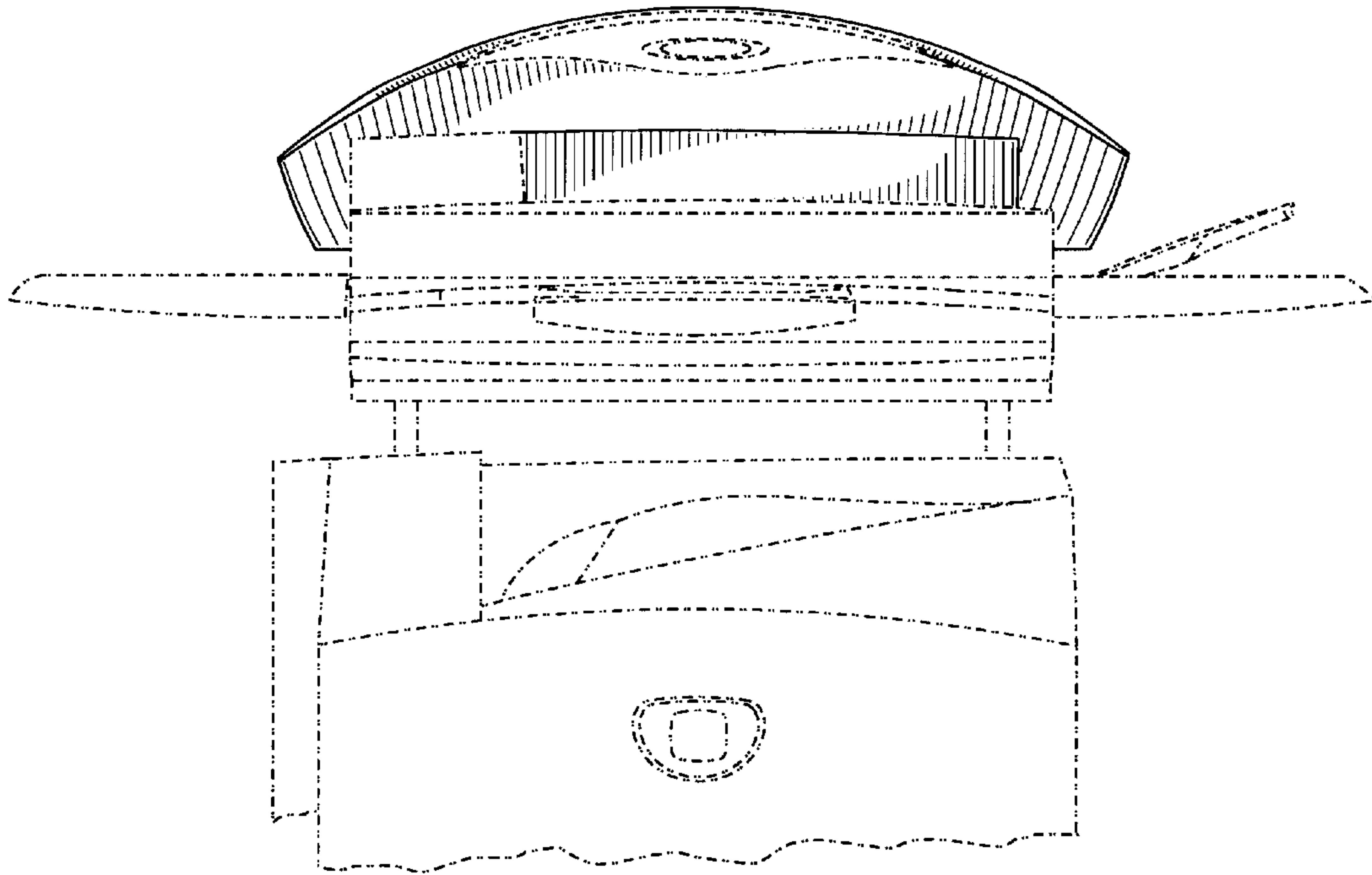


FIG. 2

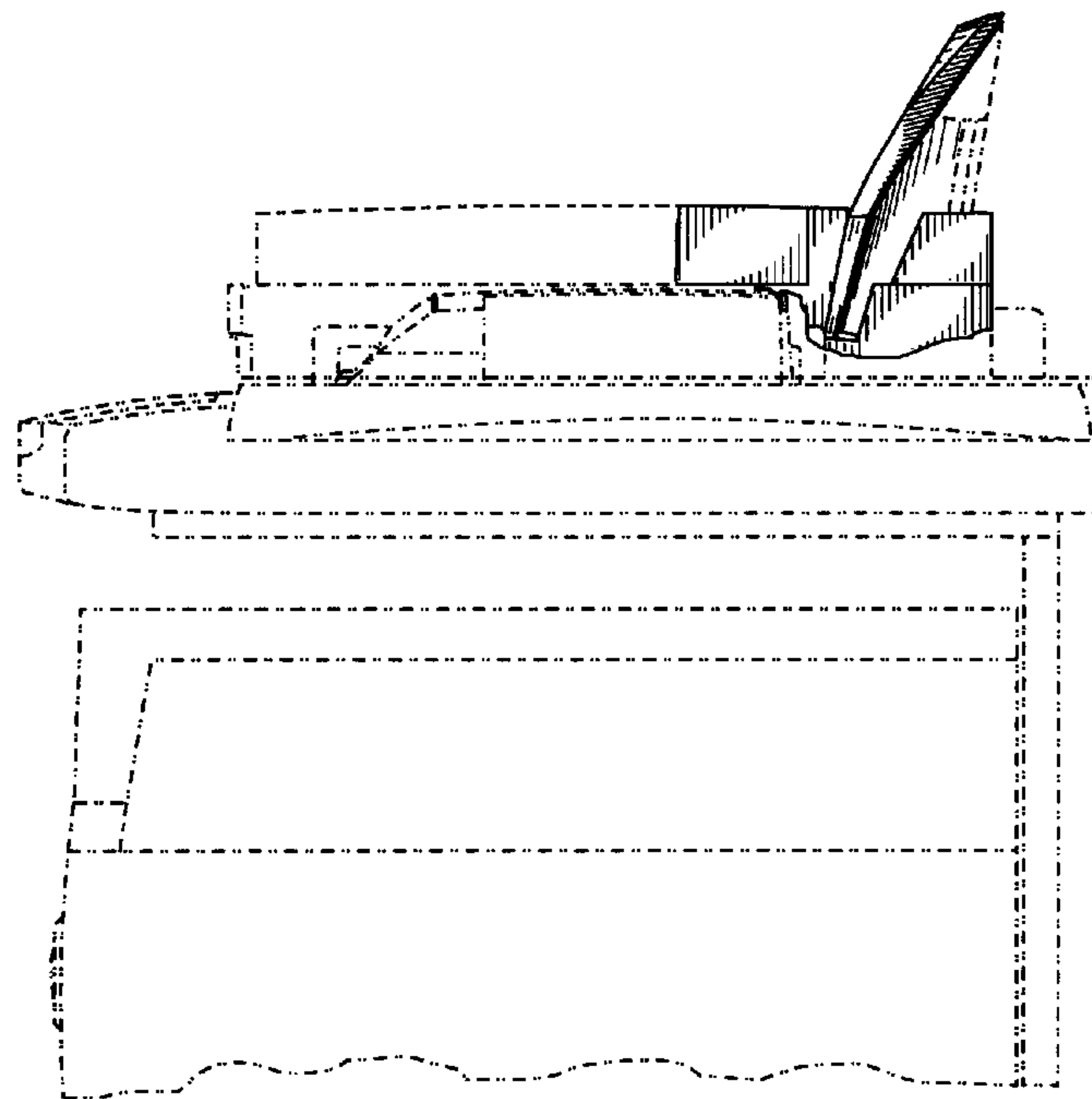


FIG. 3

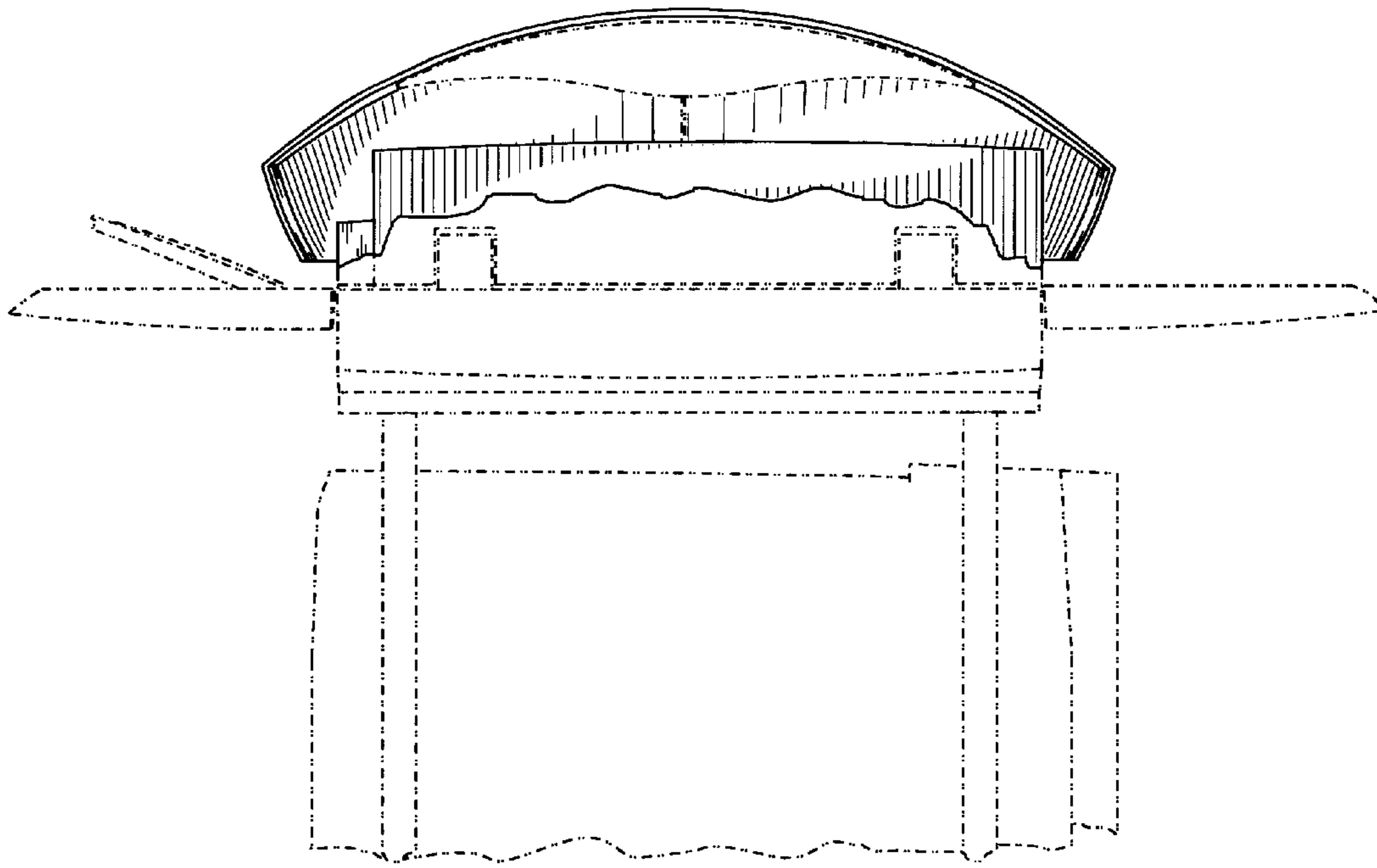


FIG. 4

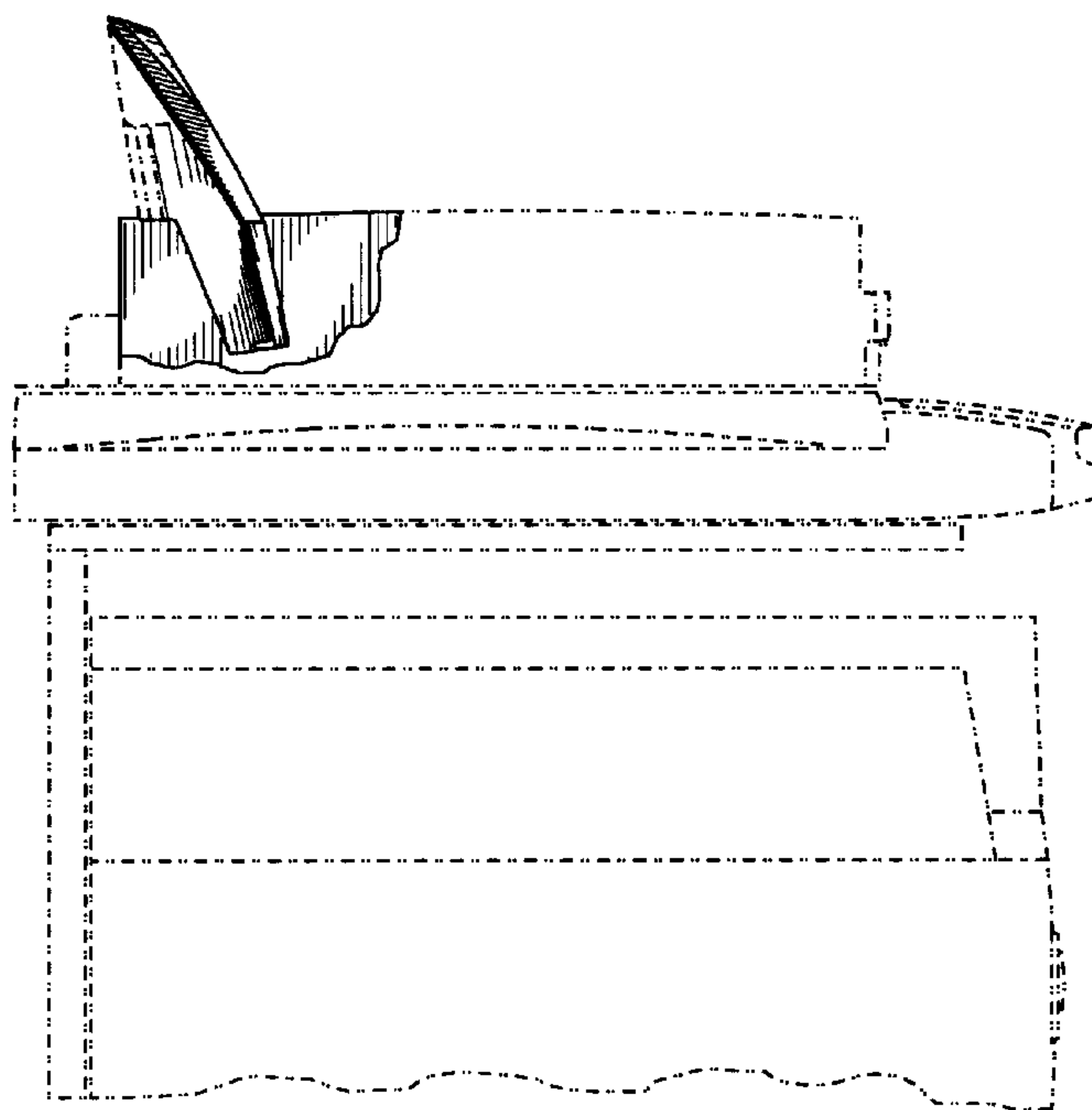


FIG. 5

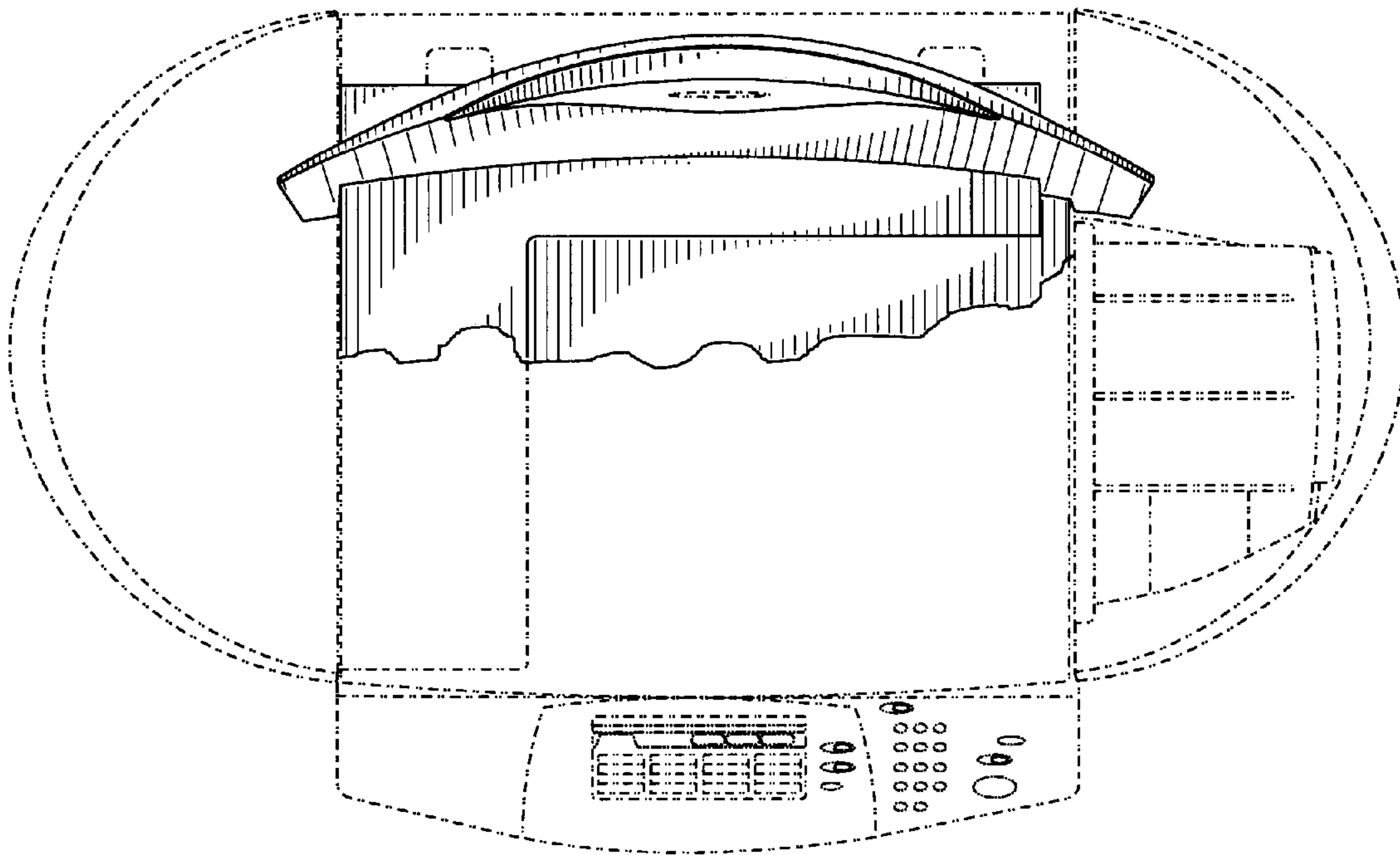


FIG. 6