



US00D527405S

(12) **United States Design Patent**
Kim et al.

(10) **Patent No.:** **US D527,405 S**

(45) **Date of Patent:** **** Aug. 29, 2006**

(54) **MONITORING CAMERA**

(75) Inventors: **Min-Geun Kim**, Seoul (KR);
Won-Gab Byun, Seoul (KR)

(73) Assignee: **Samsung Electronics Co., Ltd.**,
Kyunggi-do (KR)

(**) Term: **14 Years**

(21) Appl. No.: **29/226,441**

(22) Filed: **Mar. 29, 2005**

(51) **LOC (8) Cl.** **16-01**

(52) **U.S. Cl.** **D16/203; D16/202**

(58) **Field of Classification Search** D16/200–205,
D16/208, 218; 348/143, 373, 374–376; 358/909.1;
396/427, 535, 536–541

See application file for complete search history.

(56) **References Cited**

U.S. PATENT DOCUMENTS

D410,480 S	*	6/1999	Takagi	D16/202
D412,003 S	*	7/1999	Sumida et al.	D16/202
D429,269 S	*	8/2000	Renkis	D16/203
D486,509 S	*	2/2004	Suzuki	D16/202

D487,764 S * 3/2004 Adachi et al. D16/203

D494,204 S * 8/2004 Naruke D16/203

D500,067 S * 12/2004 Liu D16/202

D502,196 S * 2/2005 Miyazaki D16/202

D508,067 S * 8/2005 Deguchi D16/203

D517,585 S * 3/2006 Iino et al. D16/203

* cited by examiner

Primary Examiner—Adir Aronovich

(74) *Attorney, Agent, or Firm*—Flynn, Thiel, Boutell &
Tanis, P.C.

(57) **CLAIM**

The ornamental design for a monitoring camera, as shown
and described.

DESCRIPTION

FIG. 1. is a top front perspective view of a monitoring
camera showing our new design.

FIG. 2. is a front elevational view thereof.

FIG. 3. is a rear elevational view thereof.

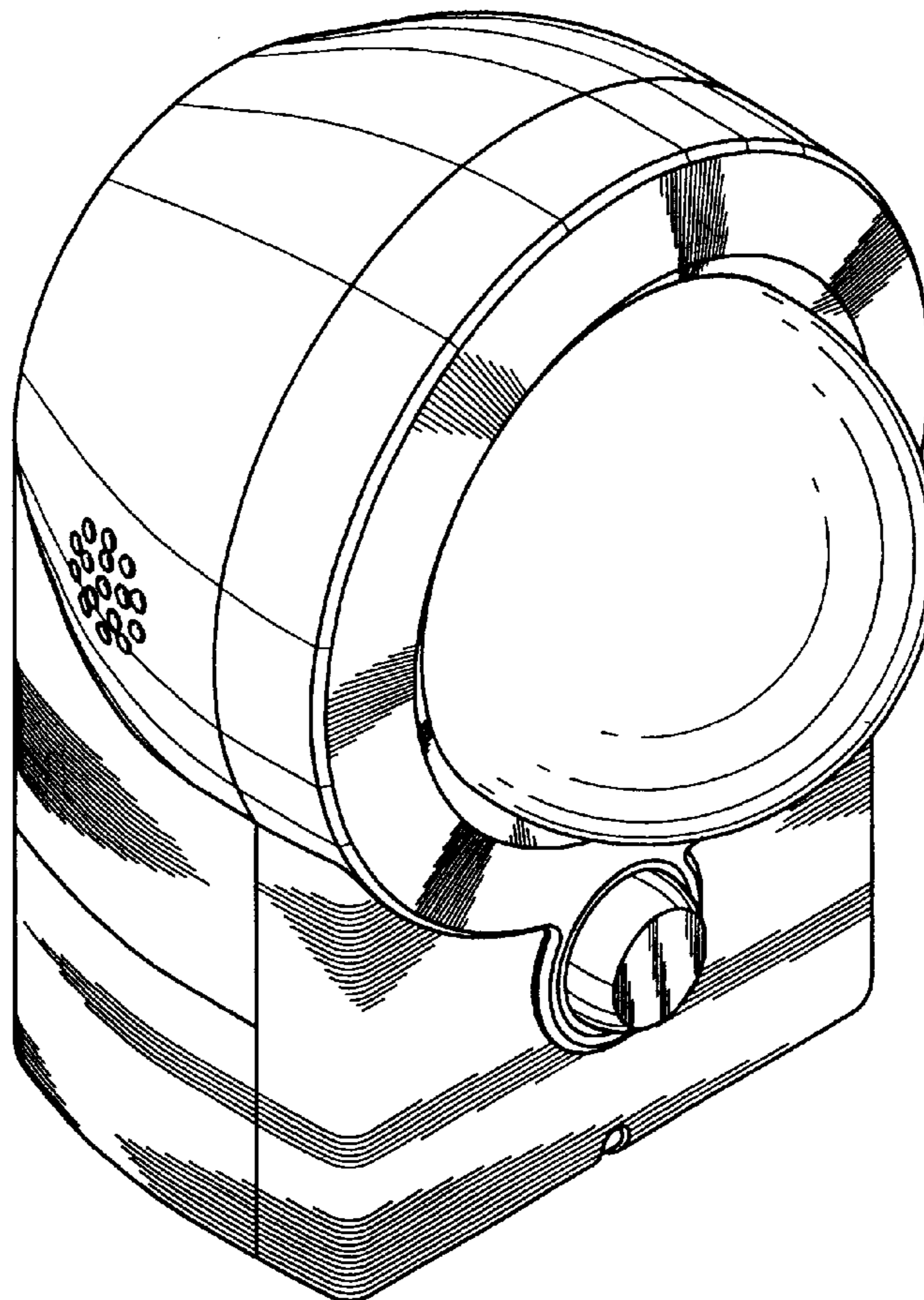
FIG. 4. is a left side elevational view thereof.

FIG. 5. is a right side elevational view thereof.

FIG. 6. is a top plan view thereof; and,

FIG. 7. is a bottom plan view thereof.

1 Claim, 6 Drawing Sheets



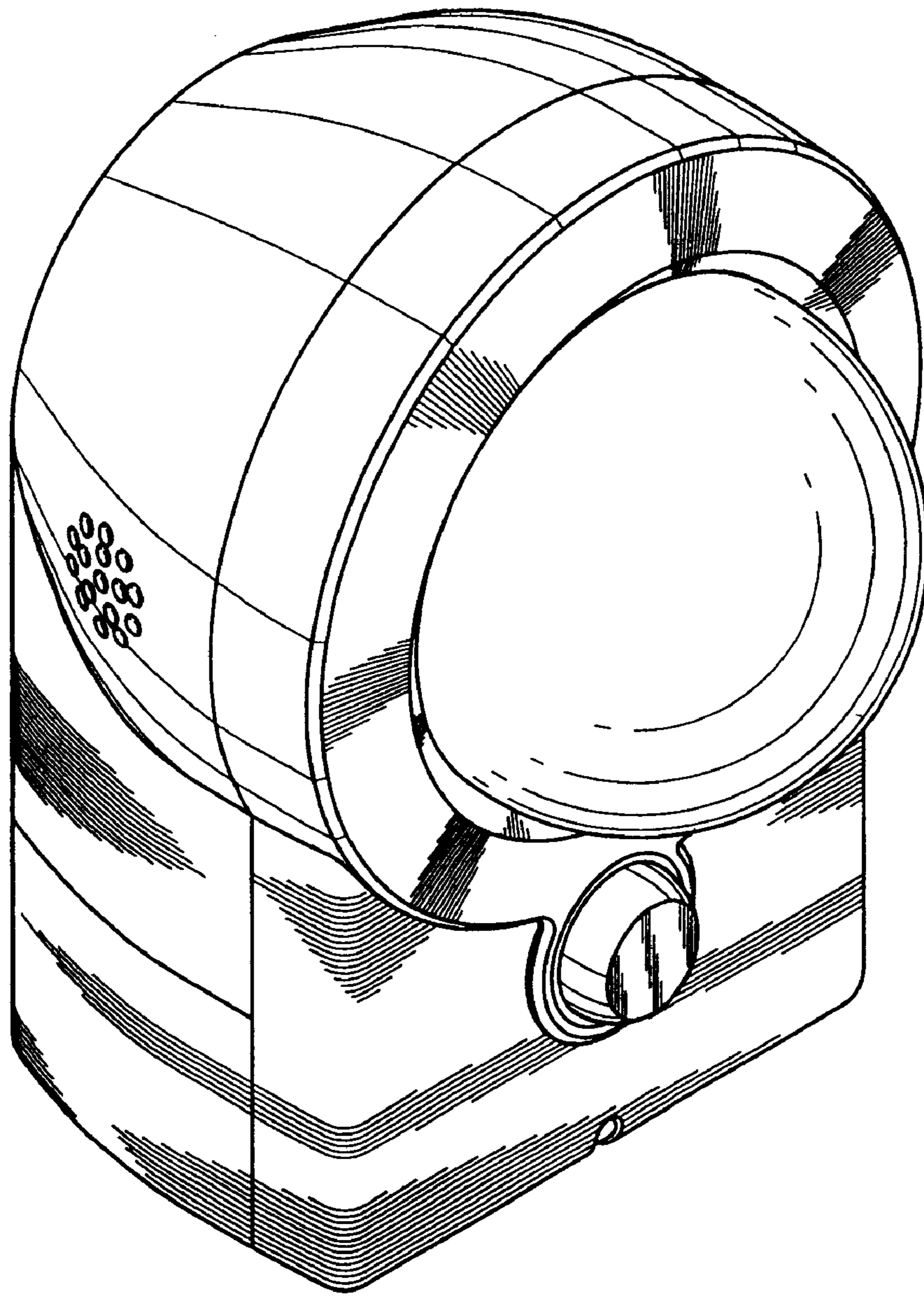


FIG. 1

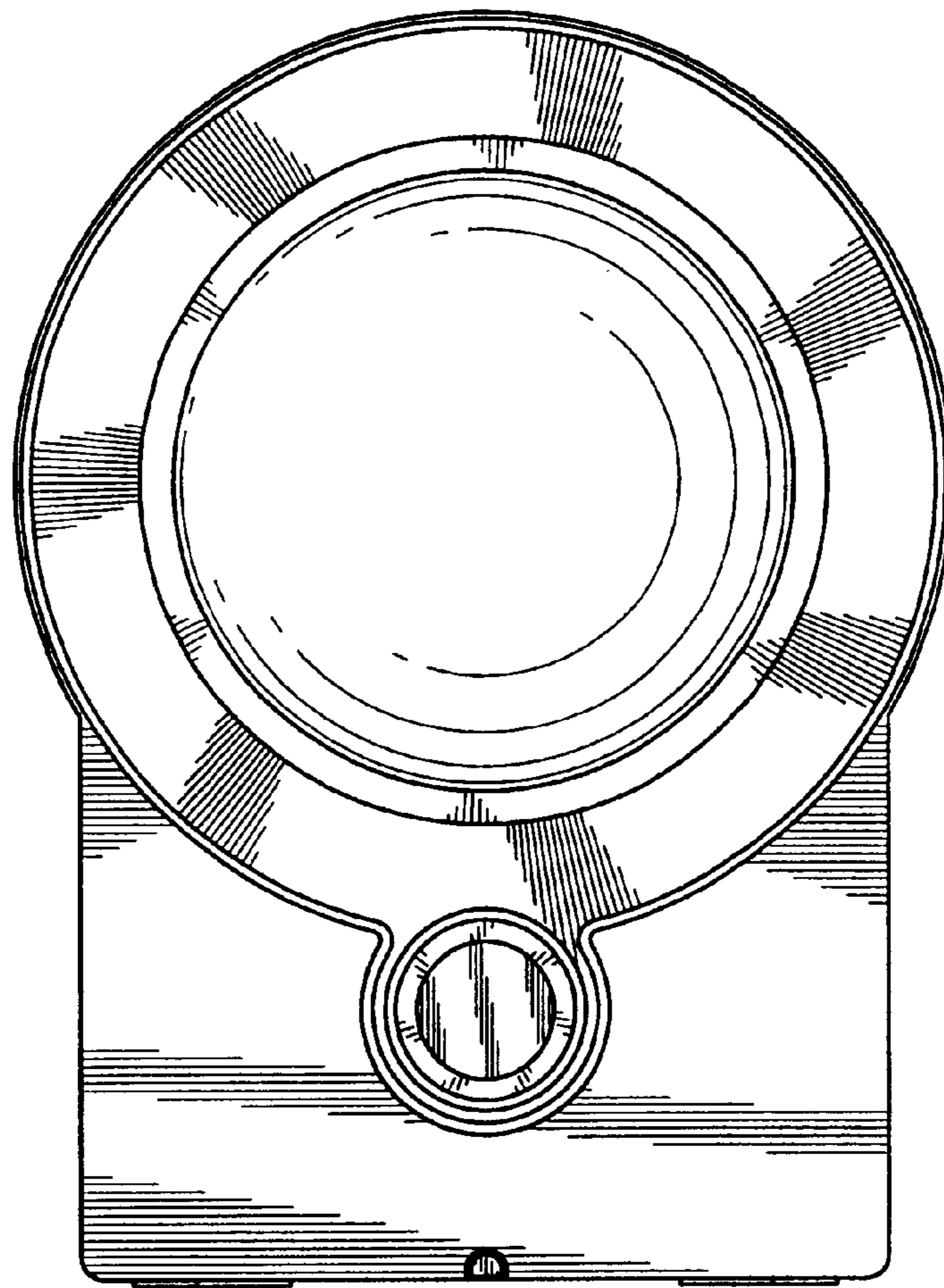


FIG. 2

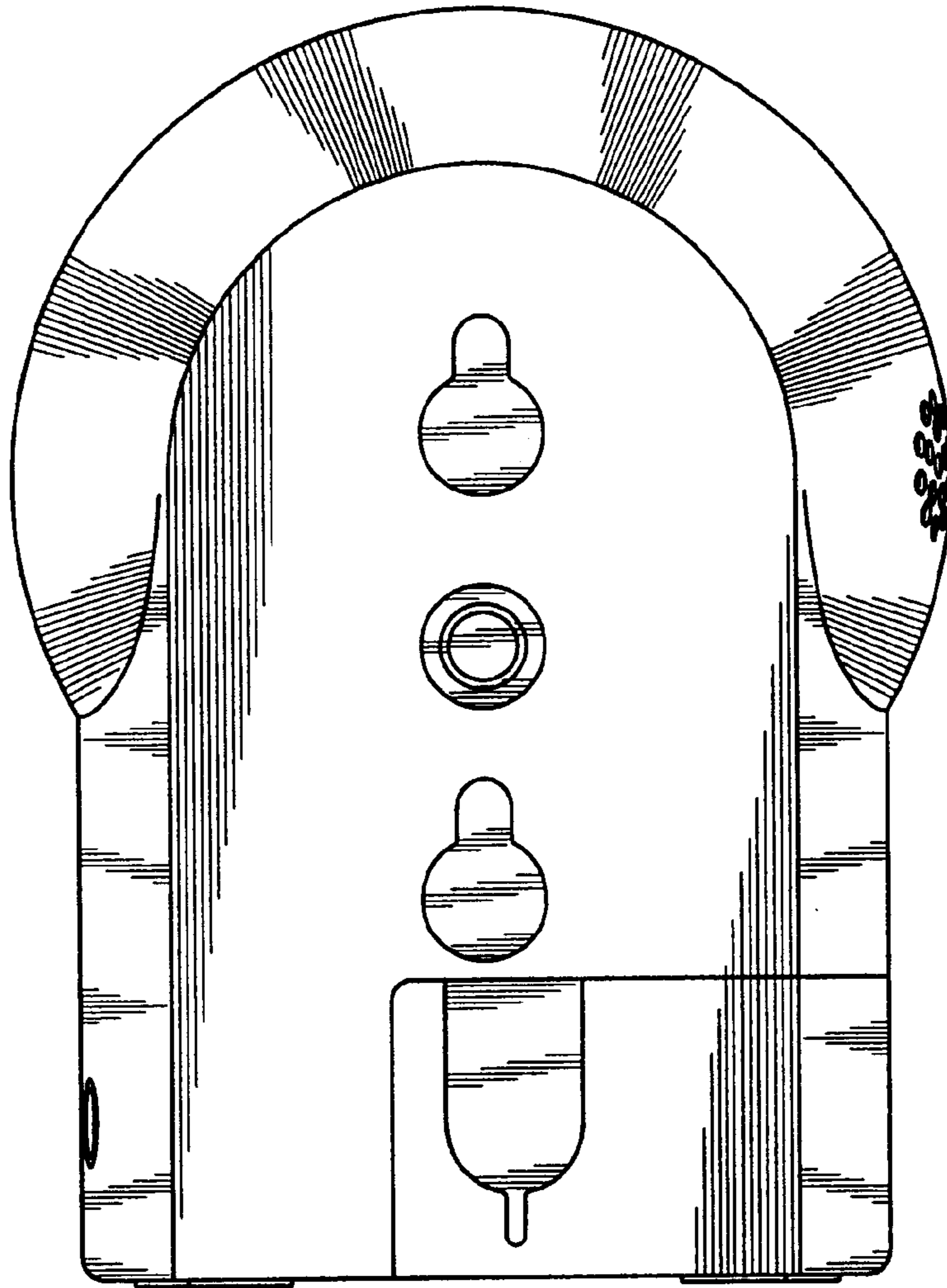


FIG. 3

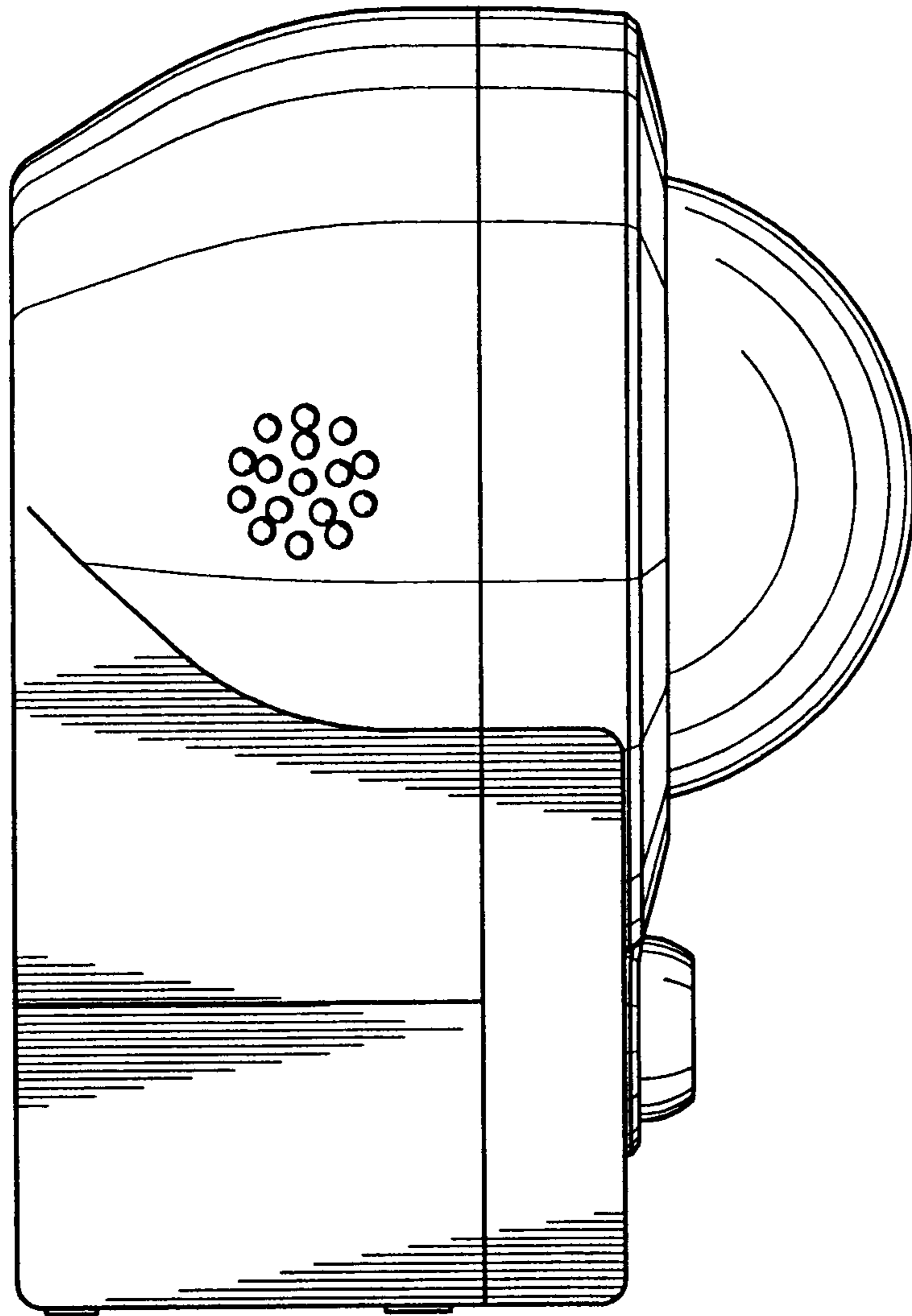


FIG. 4

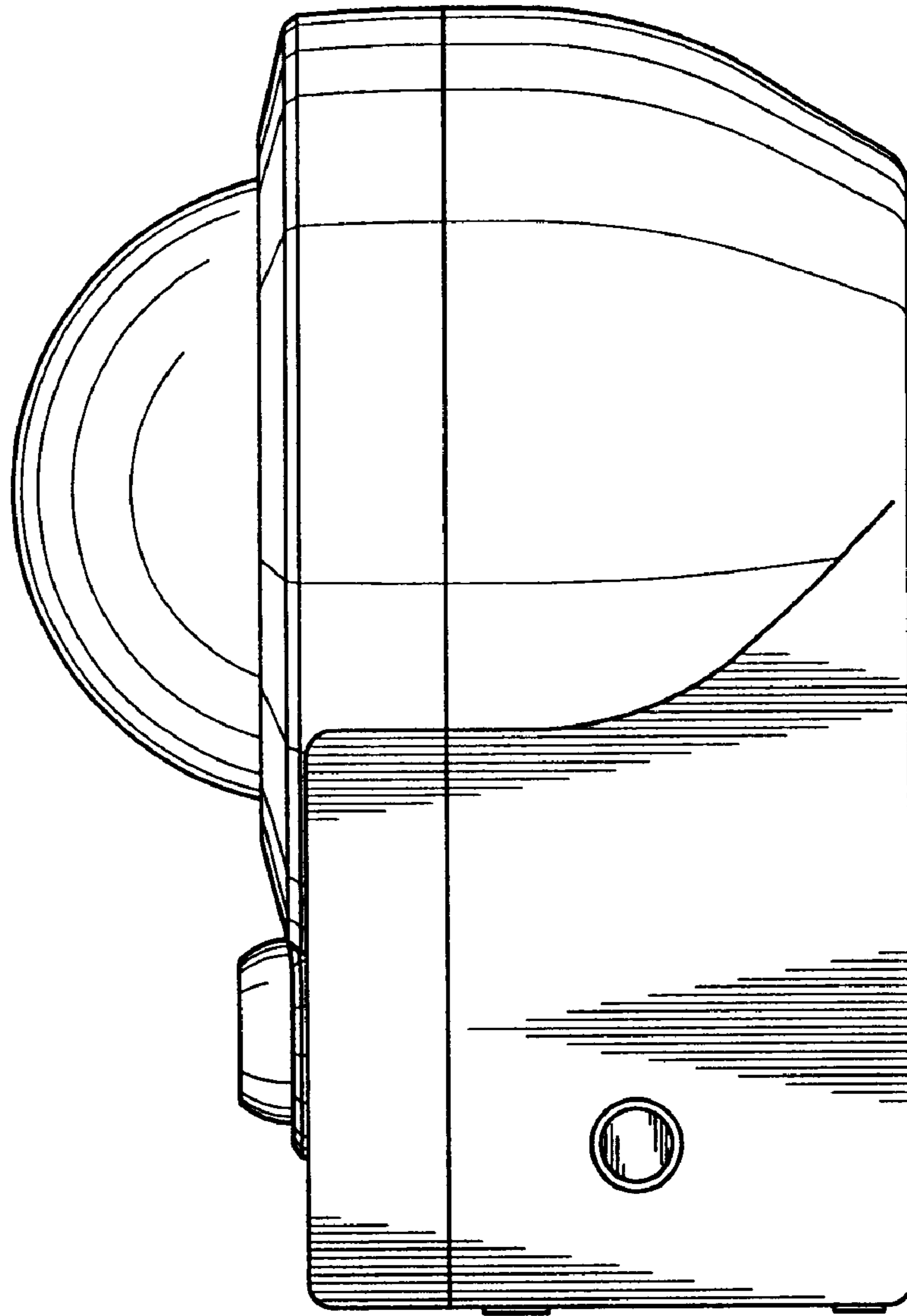


FIG.5

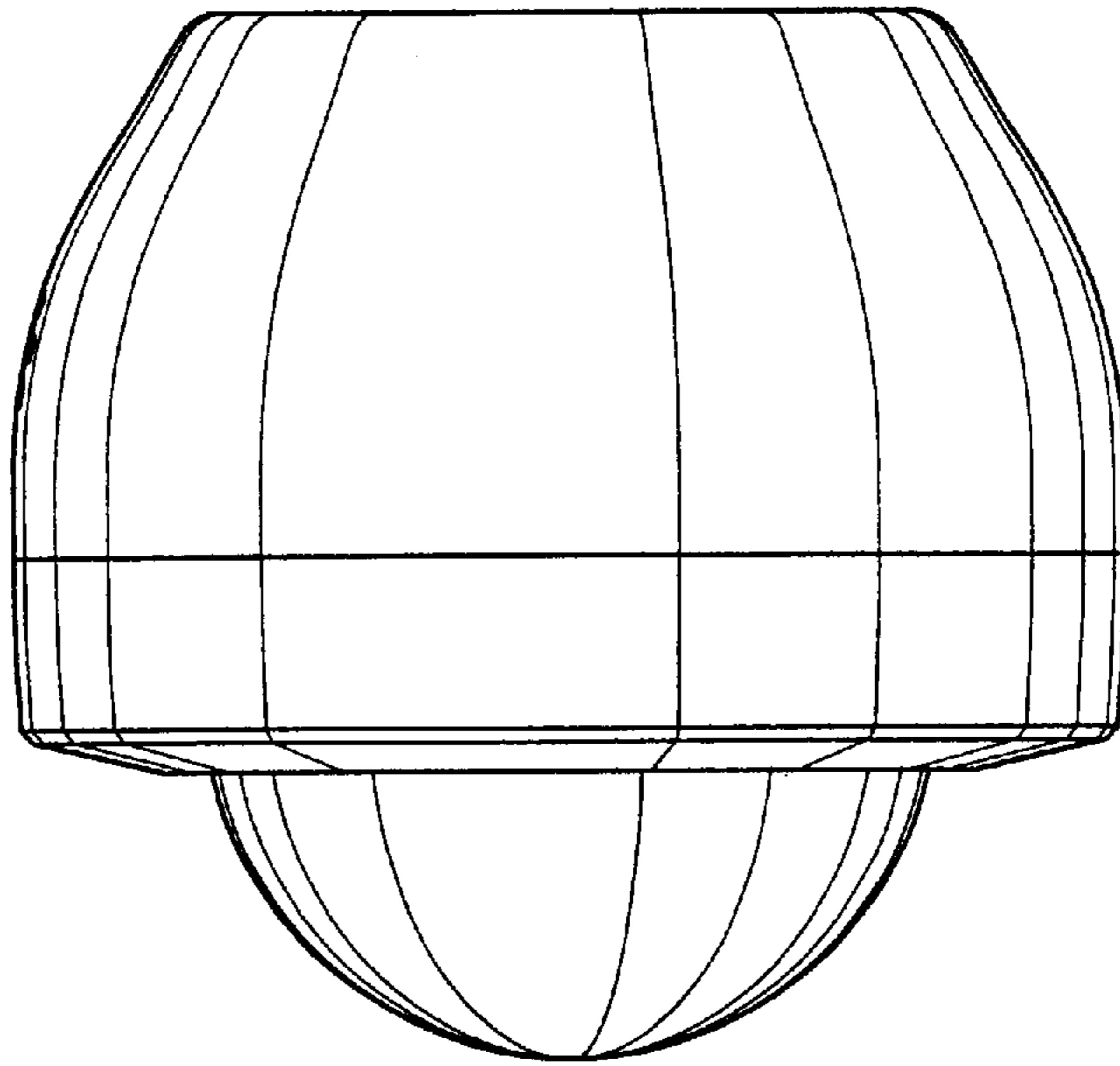


FIG. 6

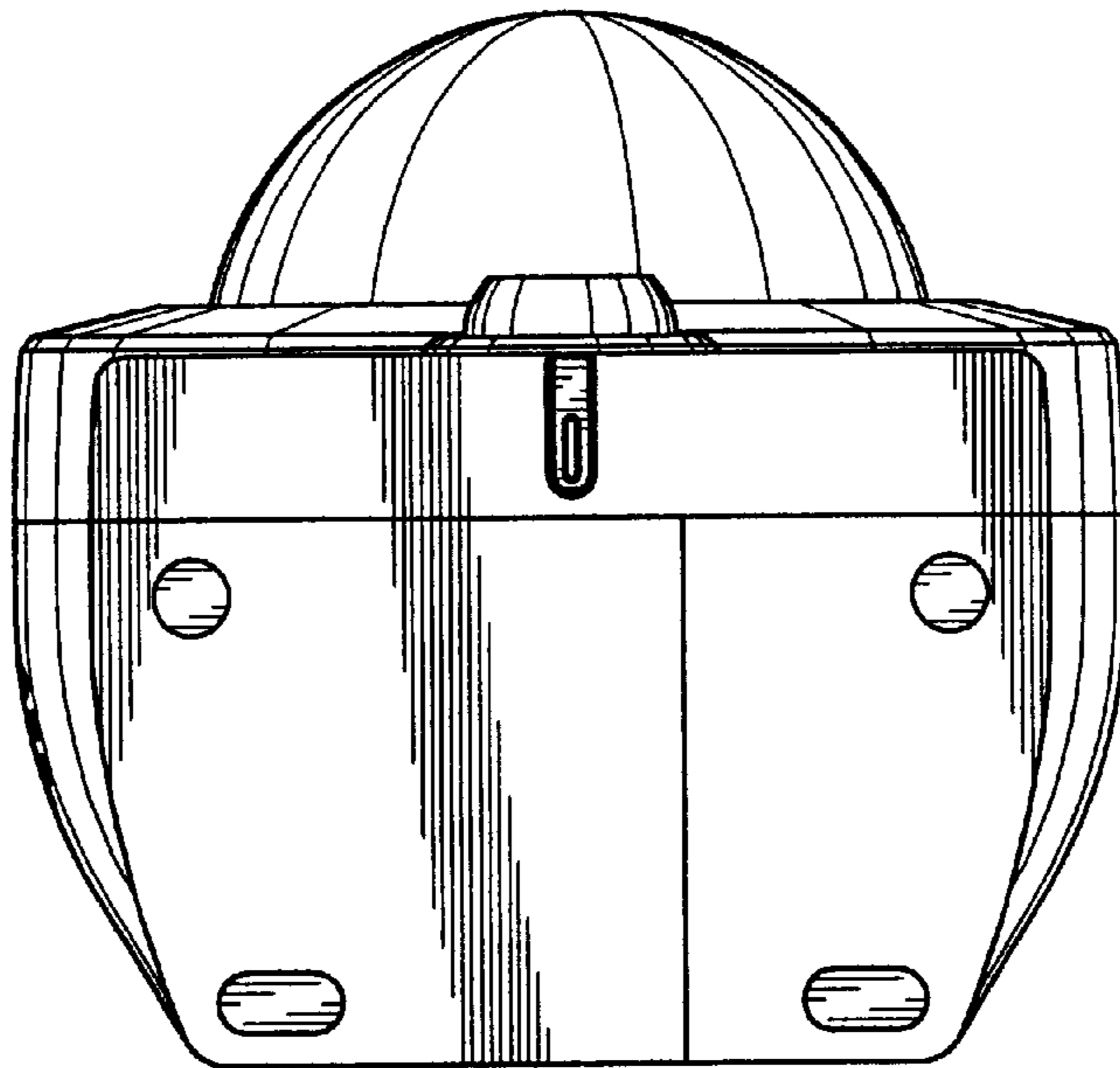


FIG. 7