

US00D527403S

(12) **United States Design Patent**  
**Byun et al.**

(10) **Patent No.:** **US D527,403 S**

(45) **Date of Patent:** **\*\* Aug. 29, 2006**

(54) **DIGITAL CAMERA**

(75) Inventors: **Won-Gab Byun**, Seoul (KR);  
**Nam-Cheol Kim**, Seoul (KR);  
**Seong-Won Choi**, Seoul (KR)

(73) Assignee: **Samsung Electronics Co., Ltd.**, Suwon (KR)

(\*\*) **Term:** **14 Years**

(21) Appl. No.: **29/226,440**

(22) Filed: **Mar. 29, 2005**

(51) **LOC (8) Cl.** ..... **16-01**

(52) **U.S. Cl.** ..... **D16/202**

(58) **Field of Classification Search** ..... D16/200–205,  
D16/208, 218; 348/373–376; 358/909.1;  
396/6, 535–541

See application file for complete search history.

(56) **References Cited**

**U.S. PATENT DOCUMENTS**

D182,079 S \* 2/1958 Macomber ..... D16/219

D187,503 S \* 3/1960 Akahane ..... D16/205  
D193,590 S \* 9/1962 Drefuss et al. .... D16/219  
D472,258 S \* 3/2003 Yin et al. .... D16/202  
6,683,653 B1 \* 1/2004 Miyake et al. .... 348/373

\* cited by examiner

*Primary Examiner*—Adir Aronovich

(74) *Attorney, Agent, or Firm*—Flynn, Thiel, Boutell & Tanis, P.C.

(57) **CLAIM**

The ornamental design for a digital camera, as shown and described.

**DESCRIPTION**

FIG. 1. is a top front perspective view of a digital camera showing our new design.

FIG. 2. is a front elevational view thereof.

FIG. 3. is a rear elevational view thereof.

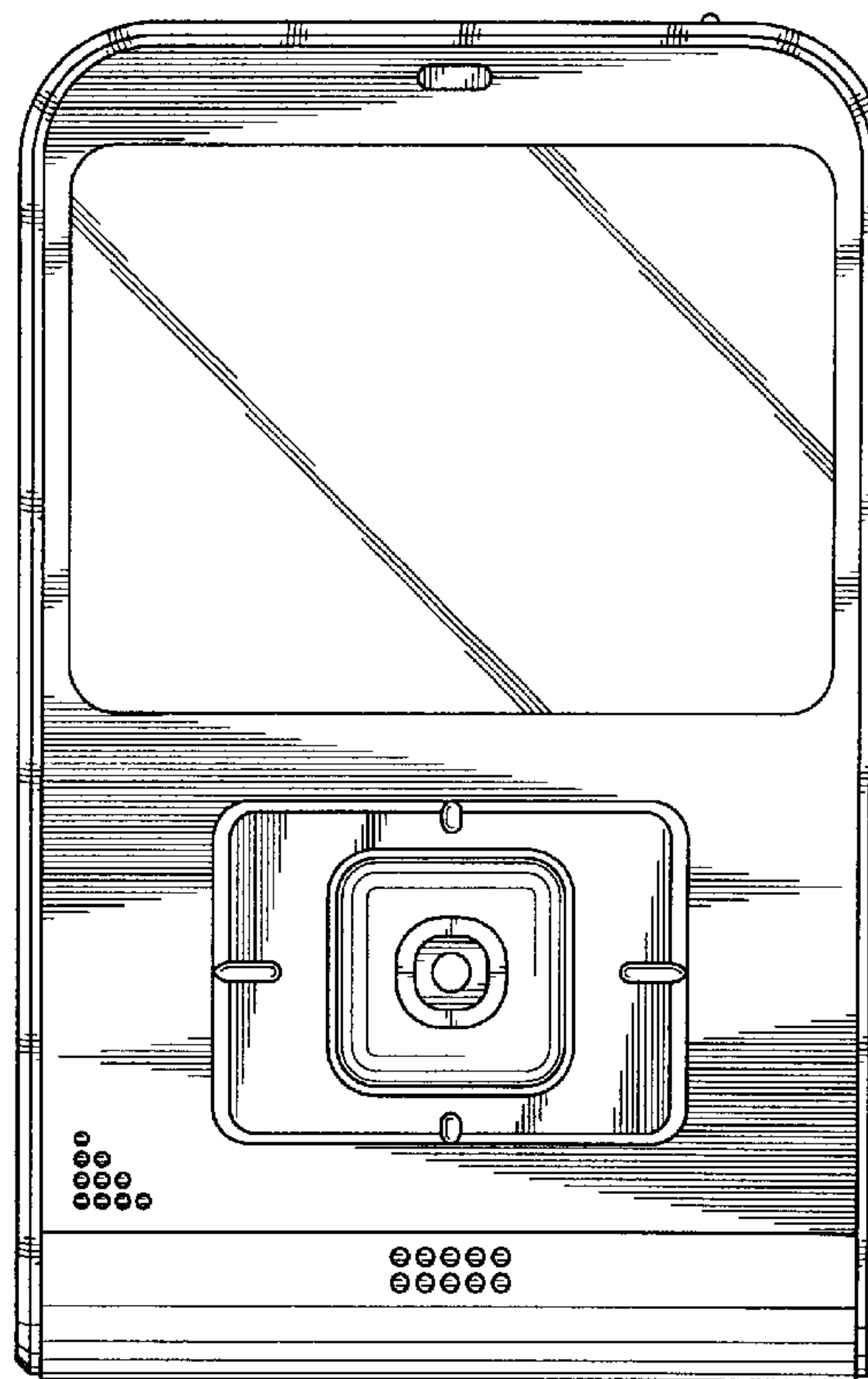
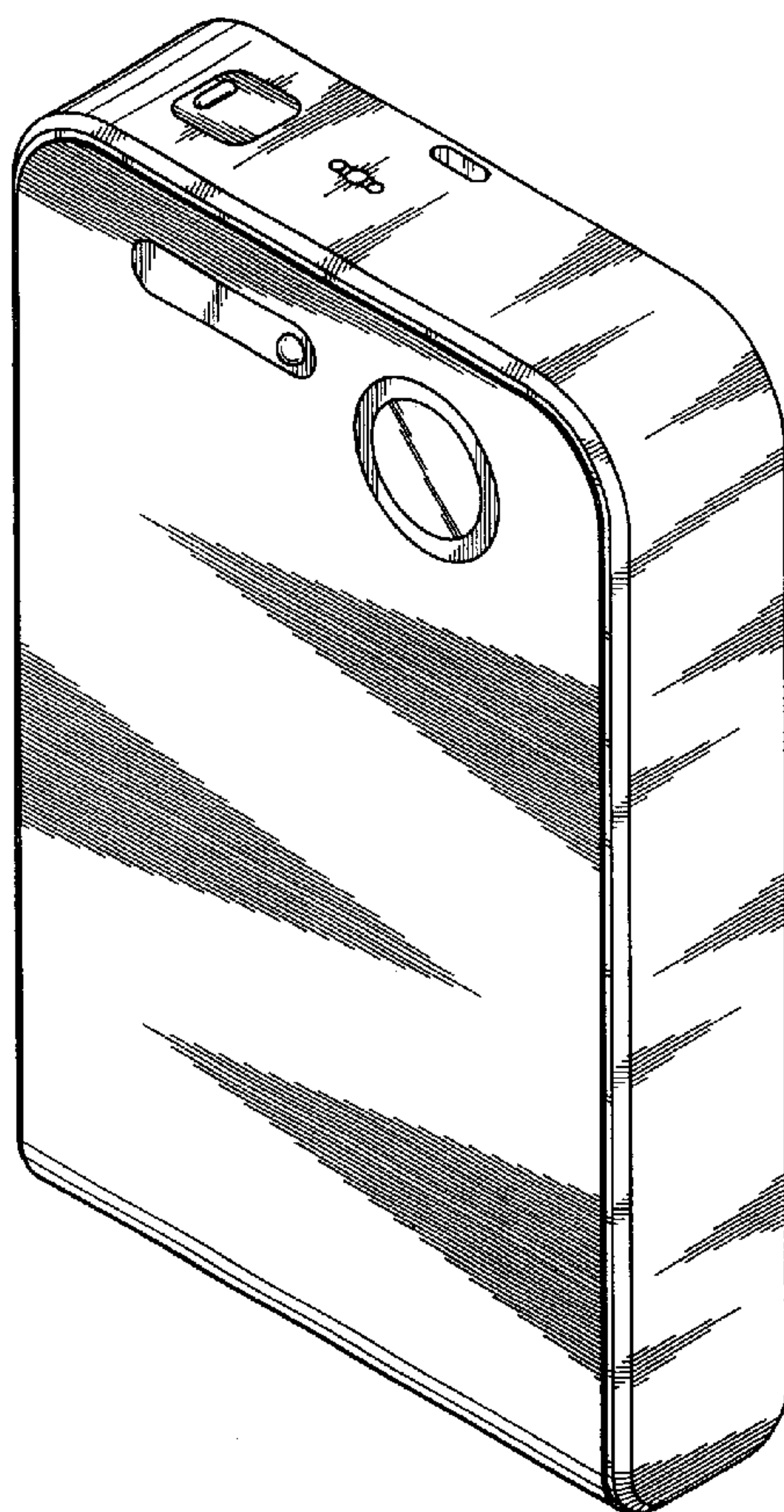
FIG. 4. is a left side elevational view thereof.

FIG. 5. is a right side elevational view thereof.

FIG. 6. is a top plan view thereof; and,

FIG. 7. is a bottom plan view thereof.

**1 Claim, 5 Drawing Sheets**



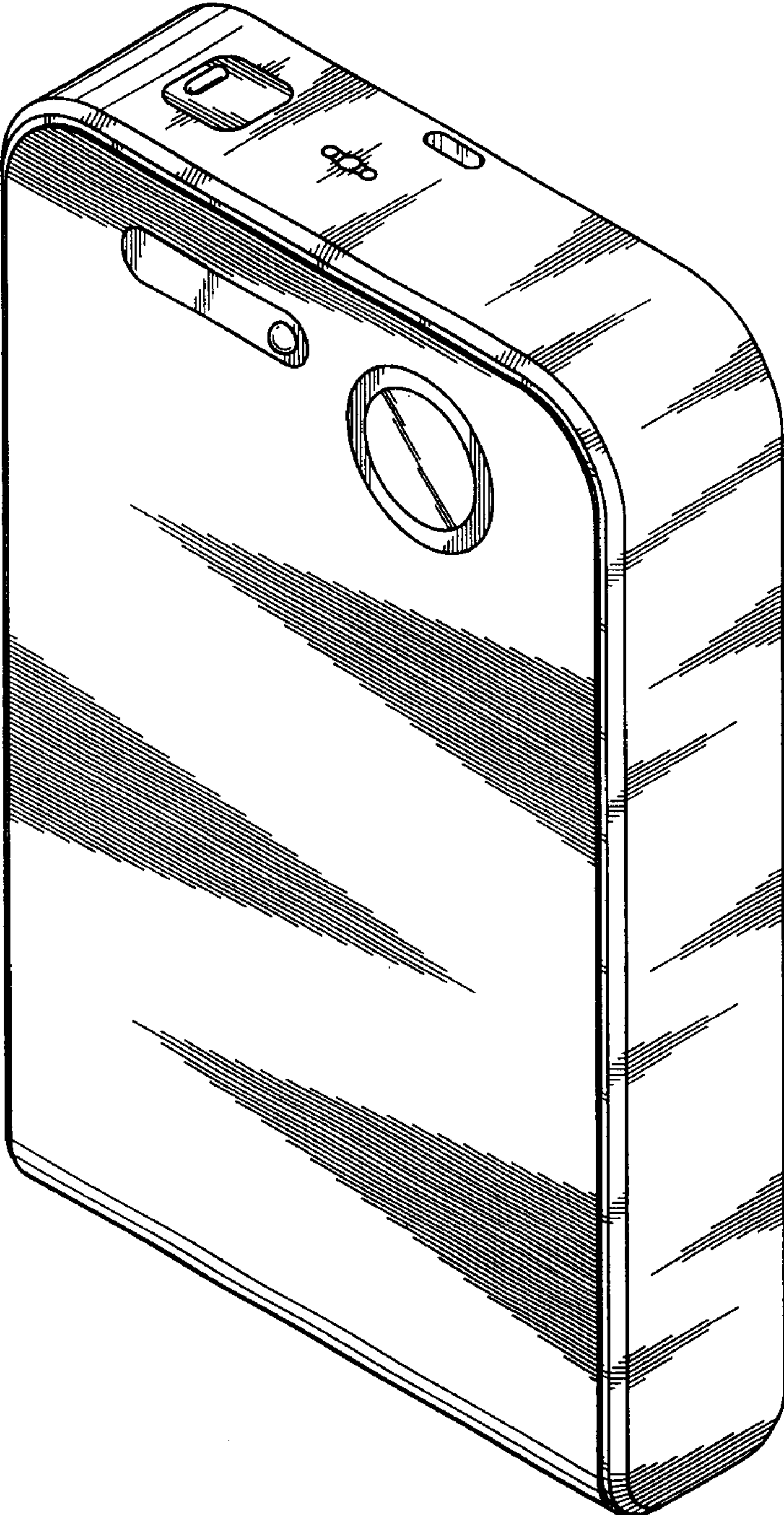


FIG. 1

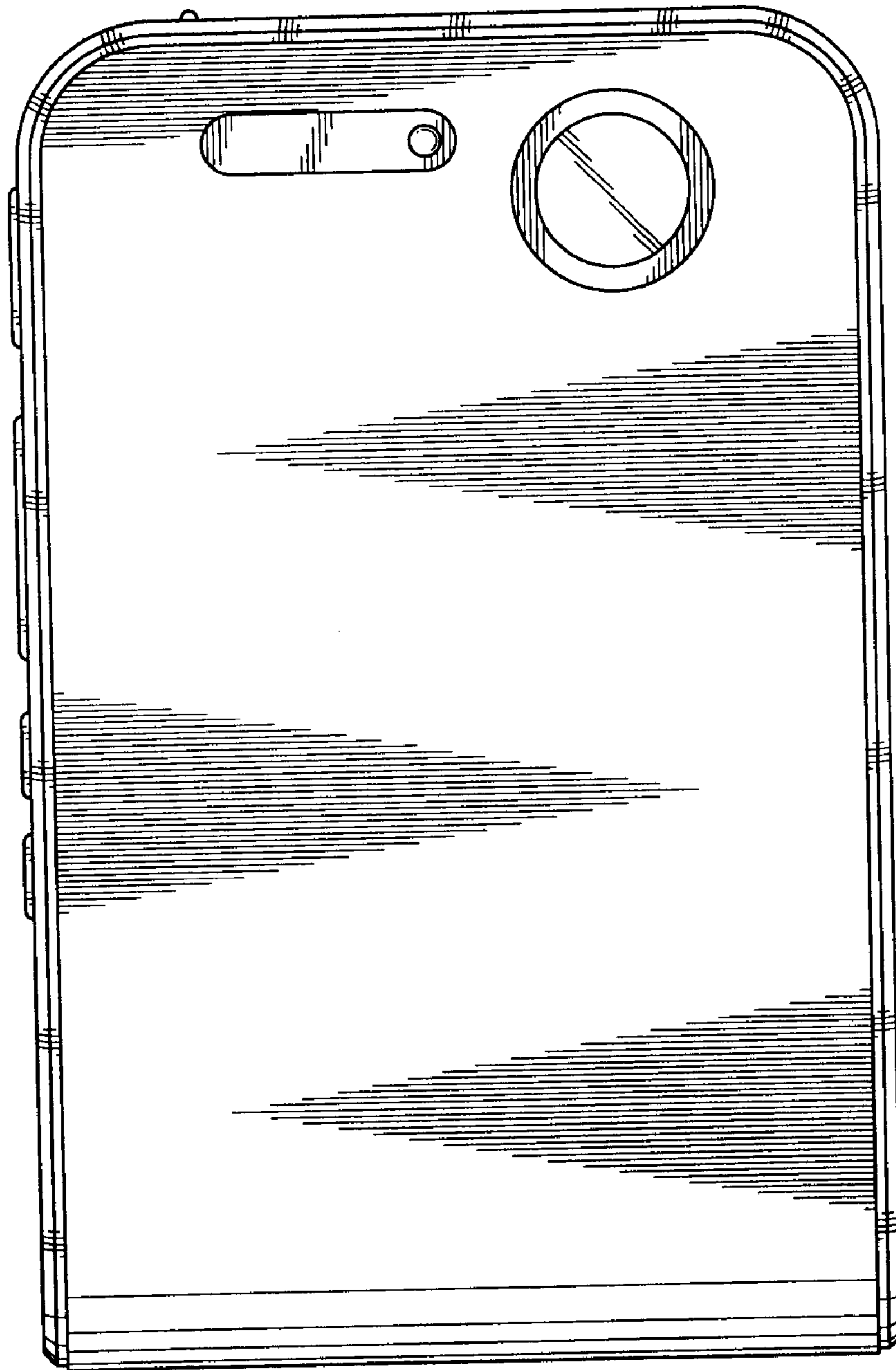


FIG. 2



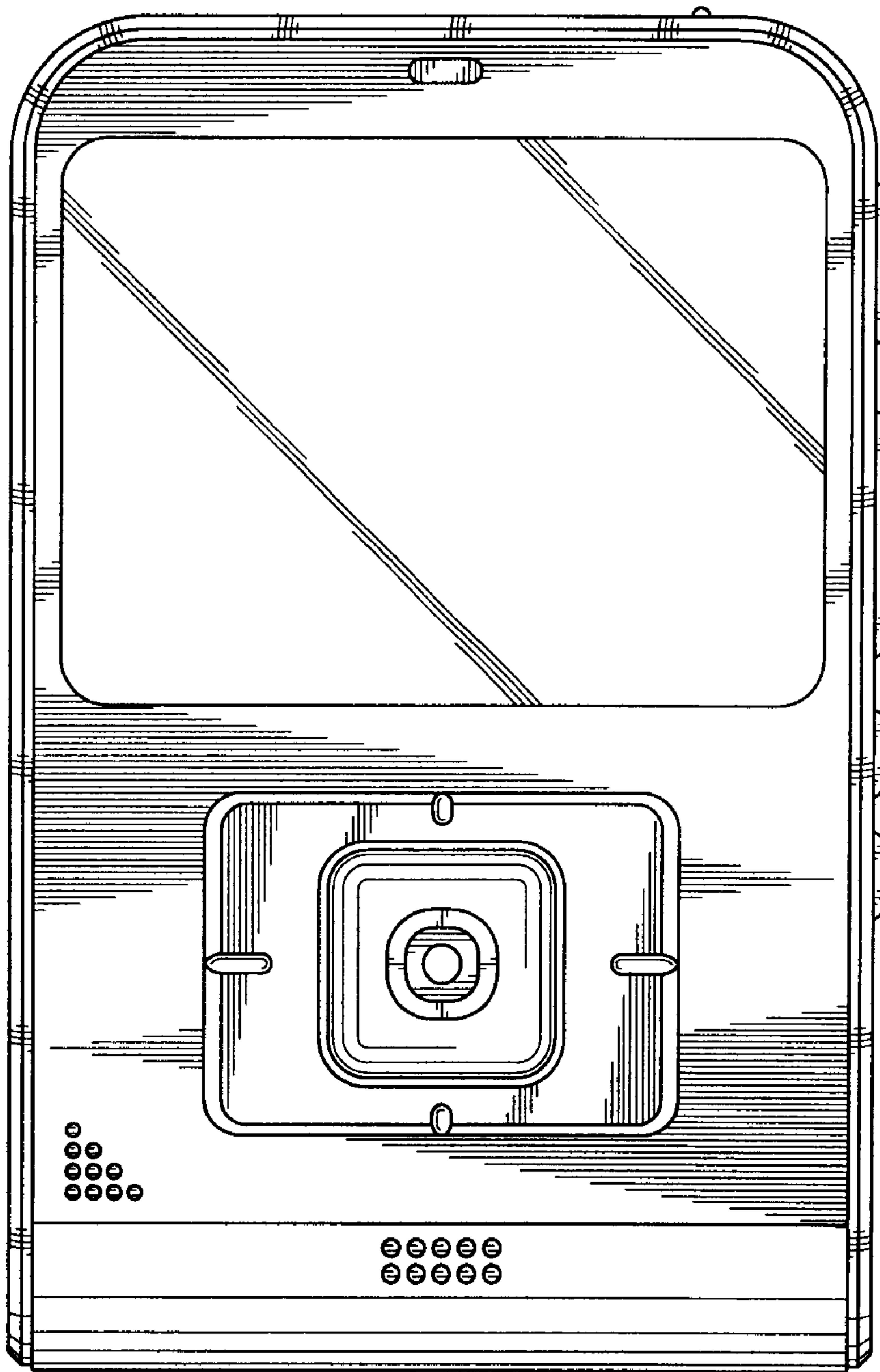


FIG. 3

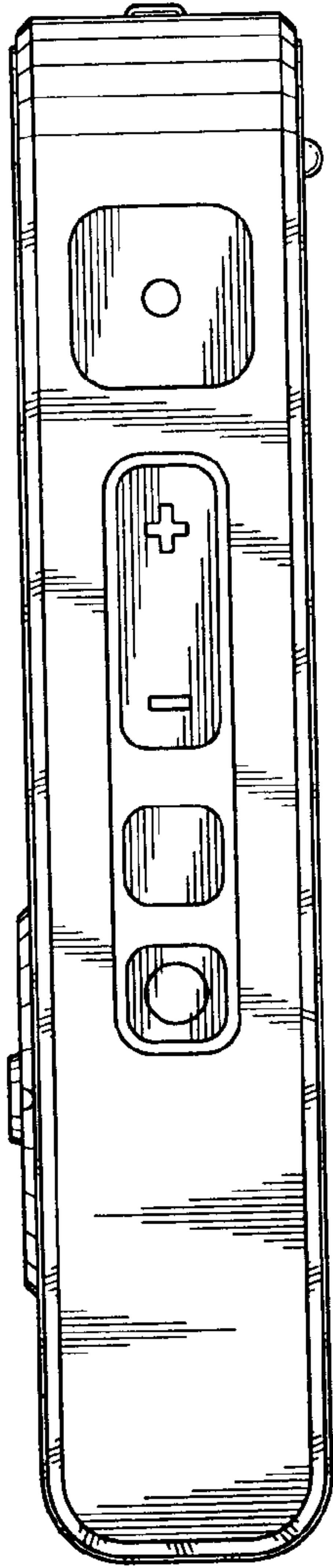


FIG. 4

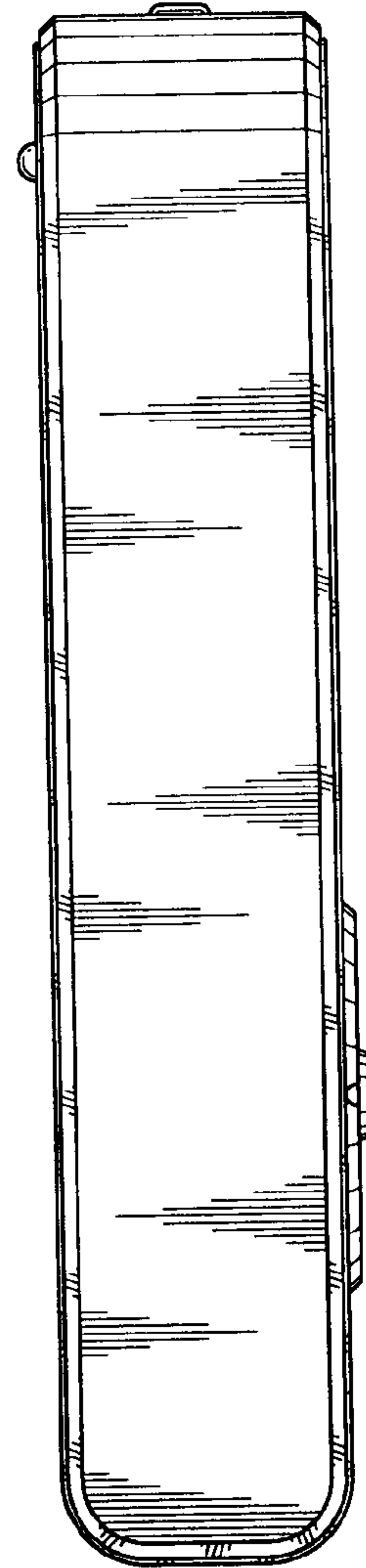


FIG. 5

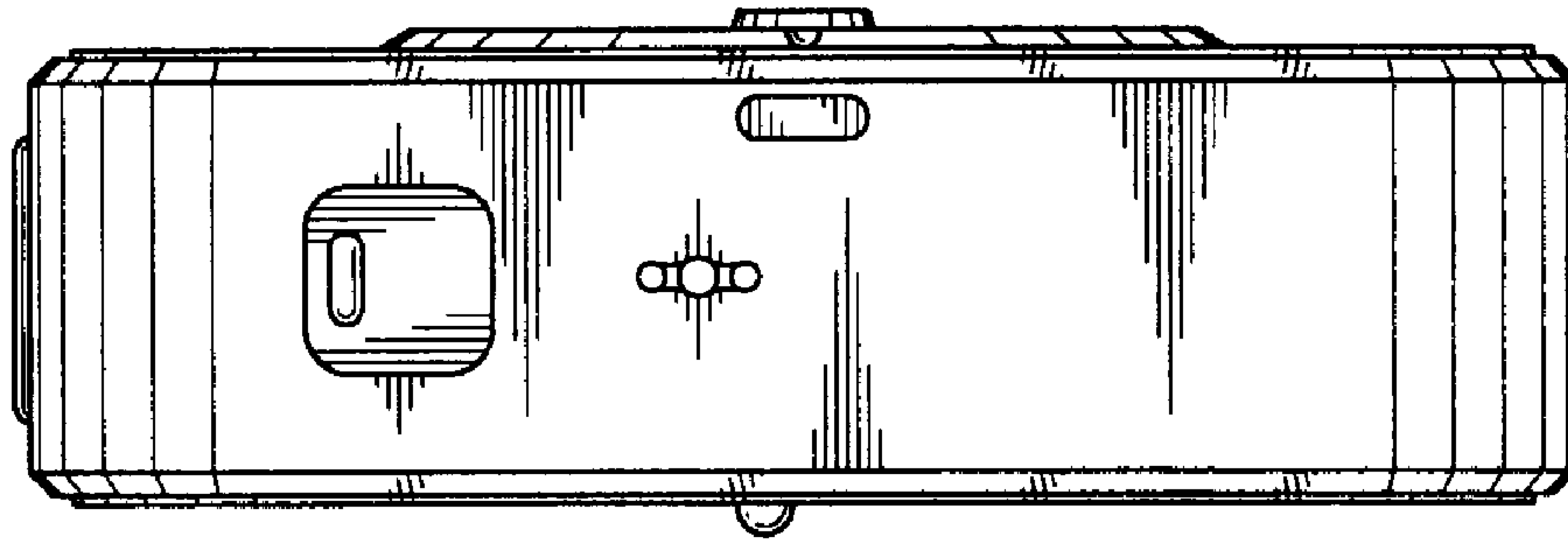


FIG. 6

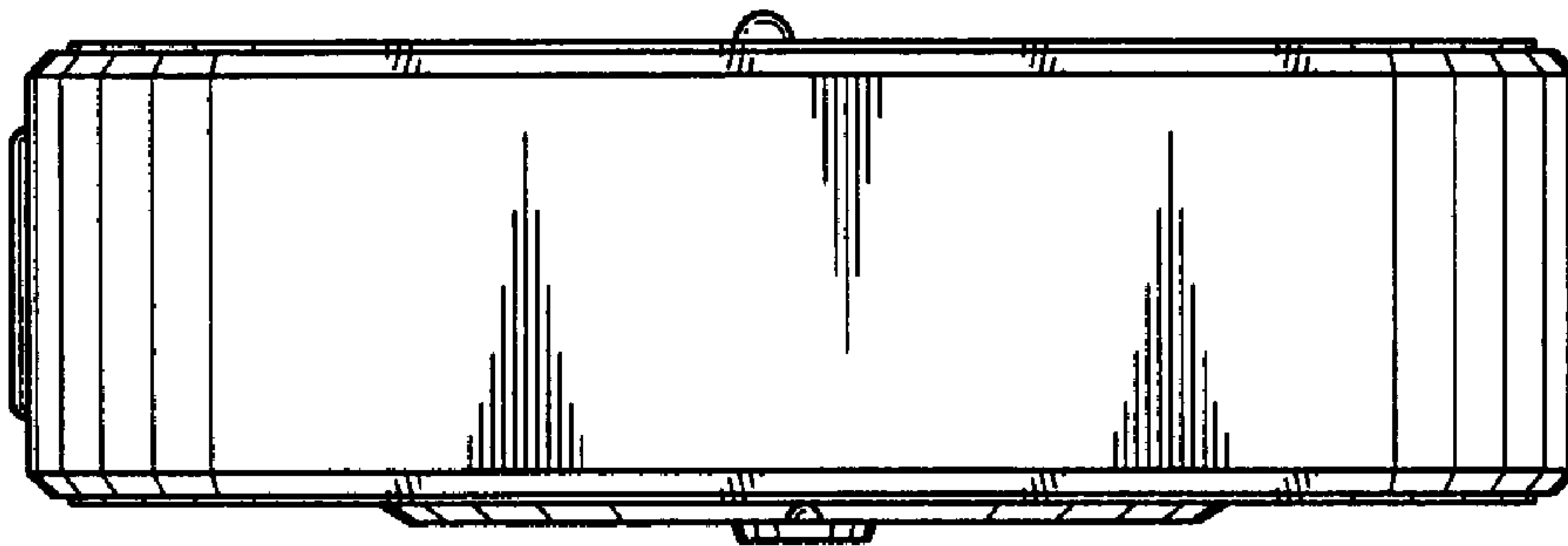


FIG. 7