

US00D527402S

(12) **United States Design Patent**
Loch et al.

(10) **Patent No.:** **US D527,402 S**

(45) **Date of Patent:** **** Aug. 29, 2006**

(54) **SOLDERING STATION**

(76) Inventors: **Uwe Loch**, Wagnerstrasse 8, Löchgau (DE), D-74369; **Volker Munz**, Muhlstrasse 6, Pfaffenhofen (DE), D-74397

(**) Term: **14 Years**

(21) Appl. No.: **29/221,674**

(22) Filed: **Jan. 21, 2005**

(30) **Foreign Application Priority Data**

Jul. 21, 2004 (EM) 000209952

(51) **LOC (8) Cl.** **15-09**

(52) **U.S. Cl.** **D15/144.2**

(58) **Field of Classification Search** D15/144, D15/144.1, 144.2; 219/227, 240, 242; 228/20.5, 228/40, 46, 51

See application file for complete search history.

(56) **References Cited**

U.S. PATENT DOCUMENTS

D270,838 S * 10/1983 Koturov D15/144

D277,636 S * 2/1985 Rittmann D15/144
D290,927 S * 7/1987 Pagani D8/30
D428,427 S * 7/2000 Neef D15/144.2

* cited by examiner

Primary Examiner—Antoine D. Davis
Assistant Examiner—Patricia Palasik
(74) *Attorney, Agent, or Firm*—Young & Thompson

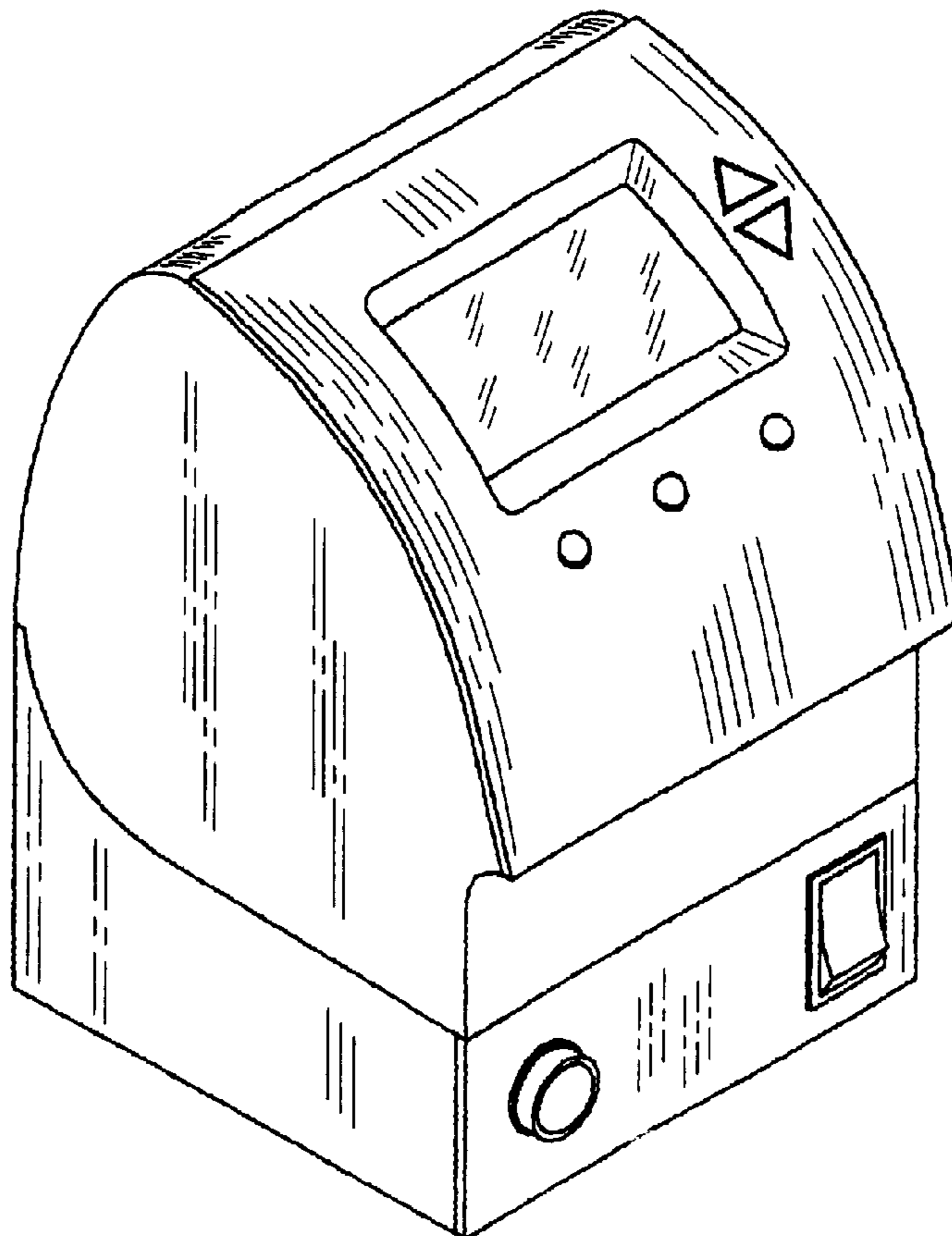
(57) **CLAIM**

The ornamental design for a soldering station, as shown.

DESCRIPTION

FIG. 1 is a top, front and side perspective view of a soldering station showing our new design;
FIG. 2 is a front elevational view thereof;
FIG. 3 is a side elevational view thereof from the left of FIG. 2;
FIG. 4 is a side elevational view thereof from the right of FIG. 2;
FIG. 5 is a rear elevational view thereof;
FIG. 6 is a top plan view thereof; and,
FIG. 7 is a bottom plan view thereof.

1 Claim, 3 Drawing Sheets



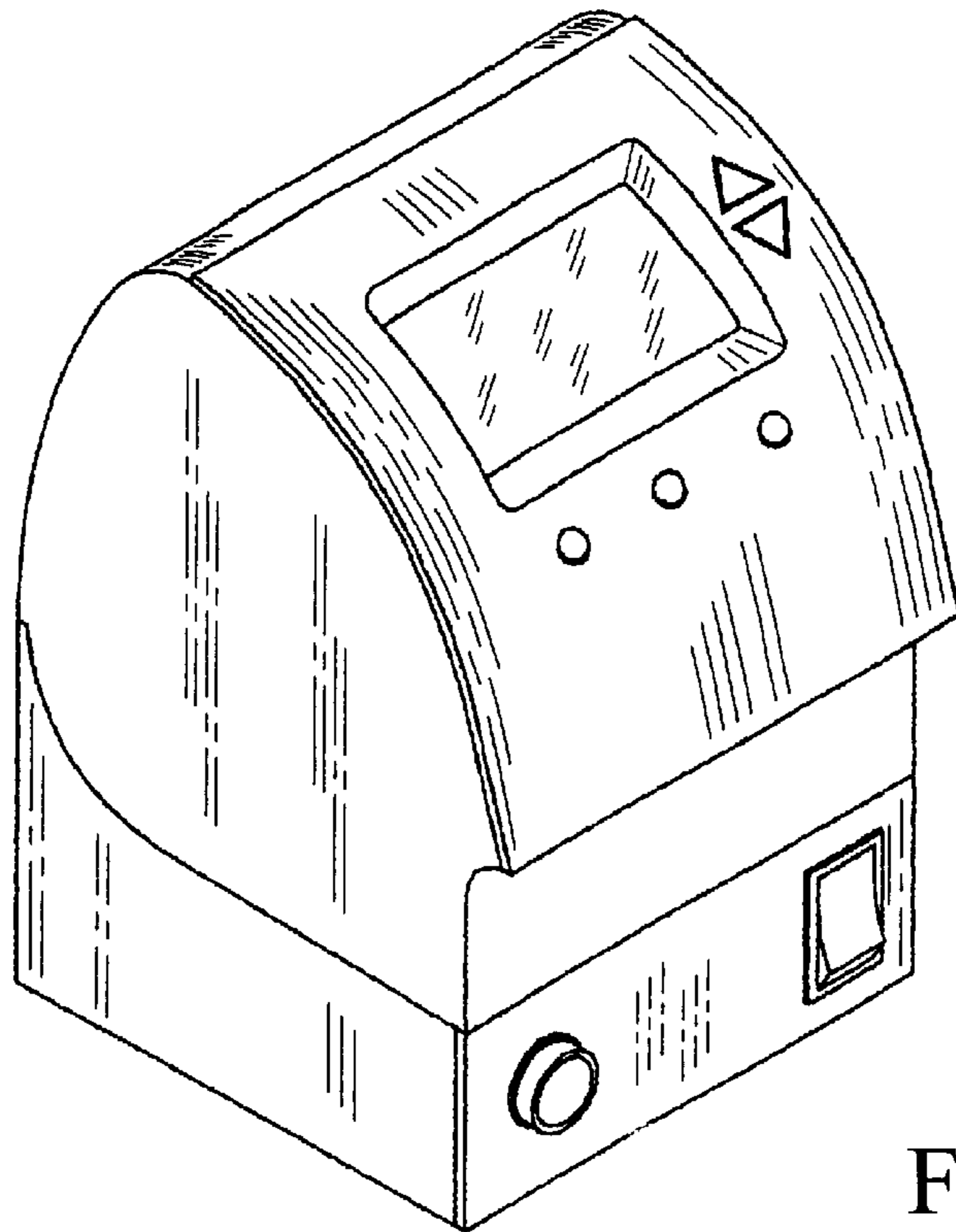


FIG. 1

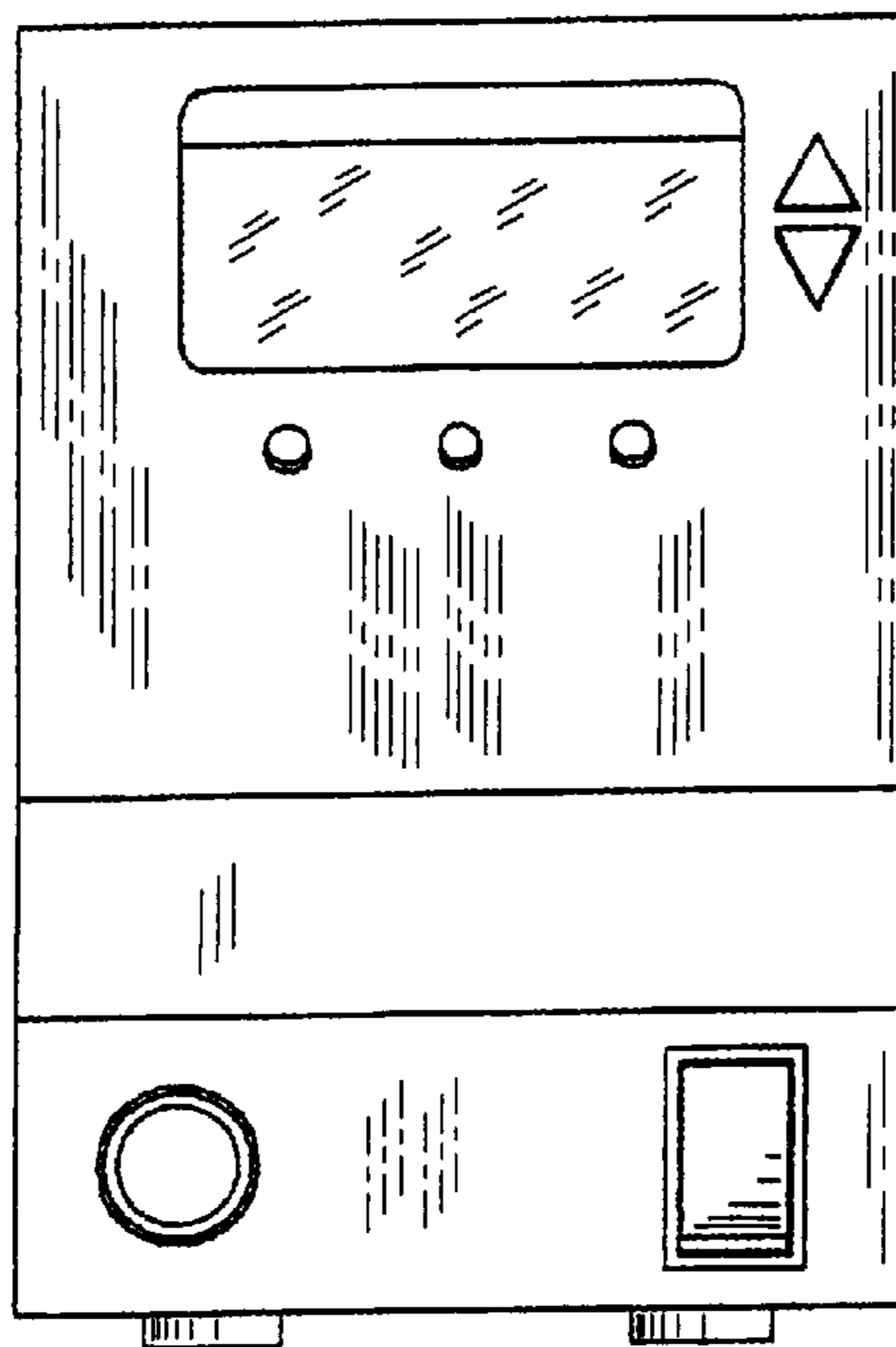


FIG. 2

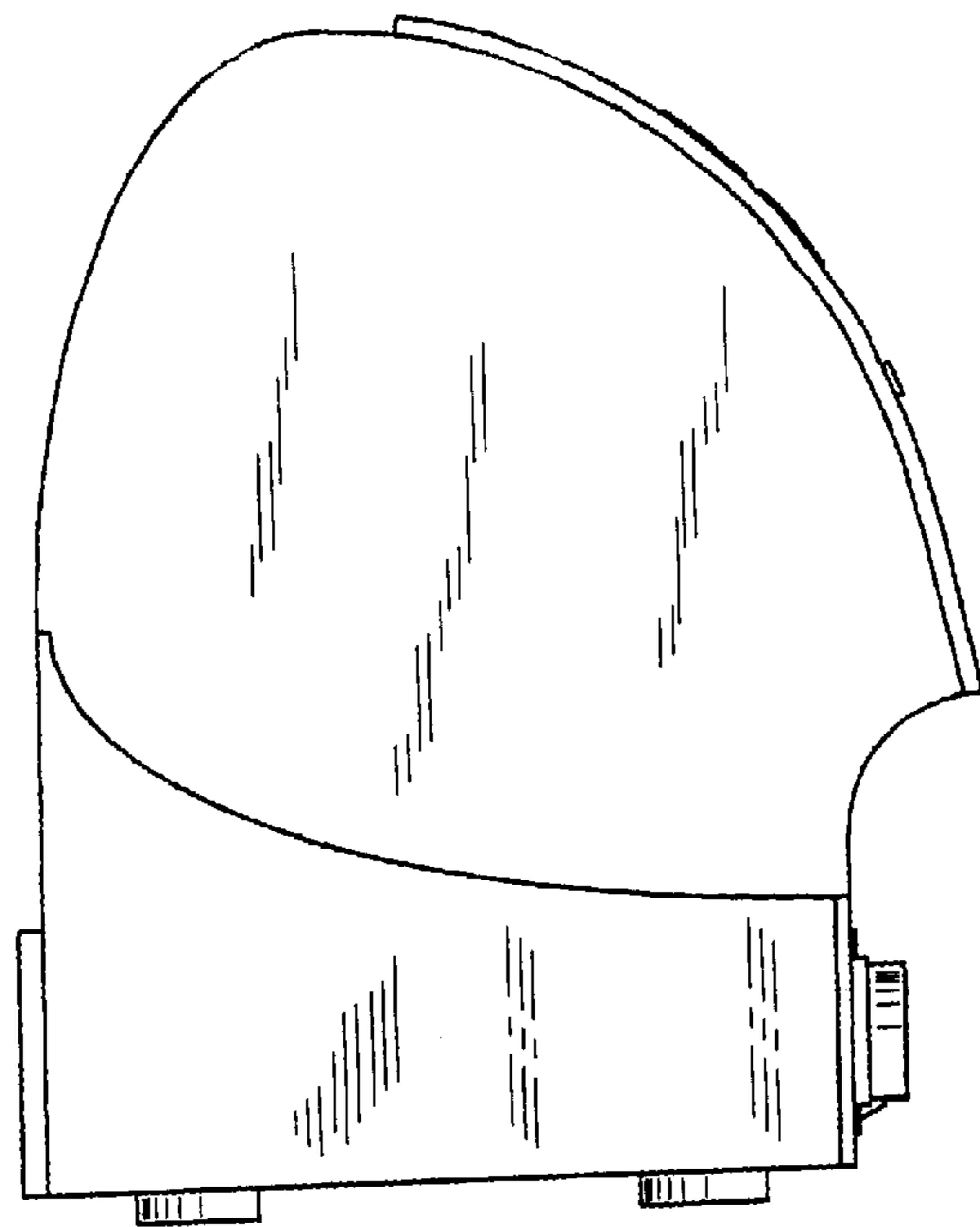


FIG. 3

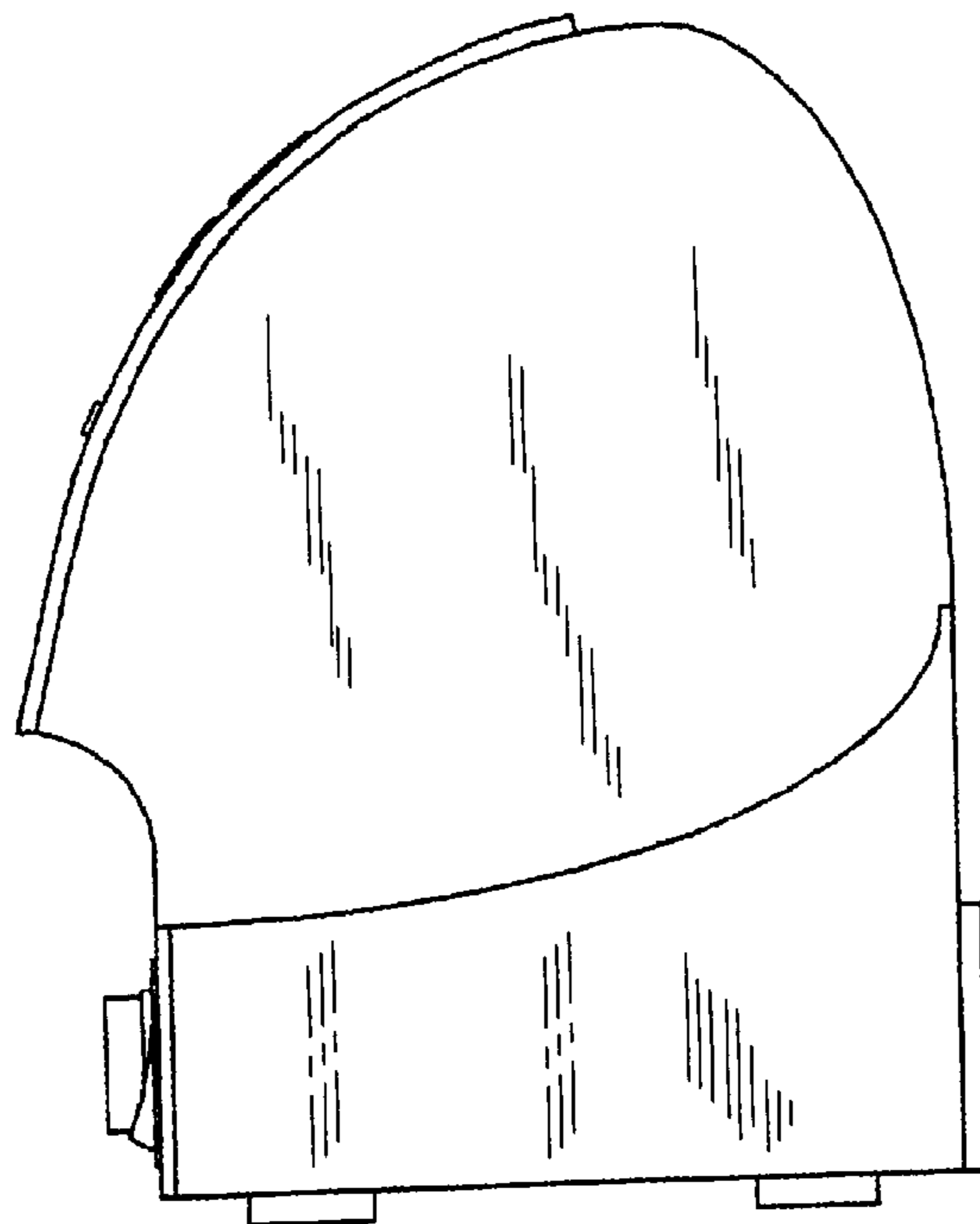


FIG. 4

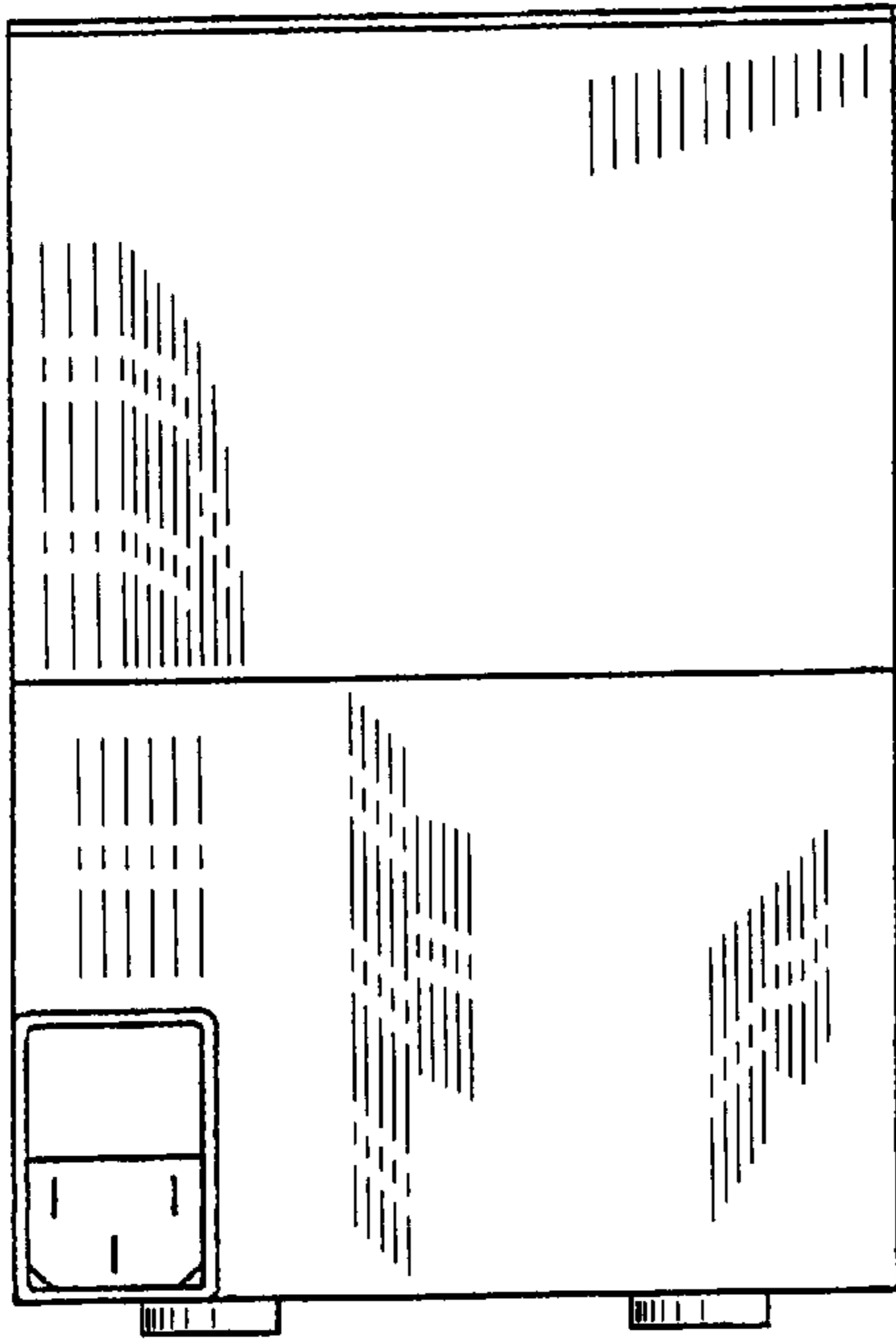


FIG. 5

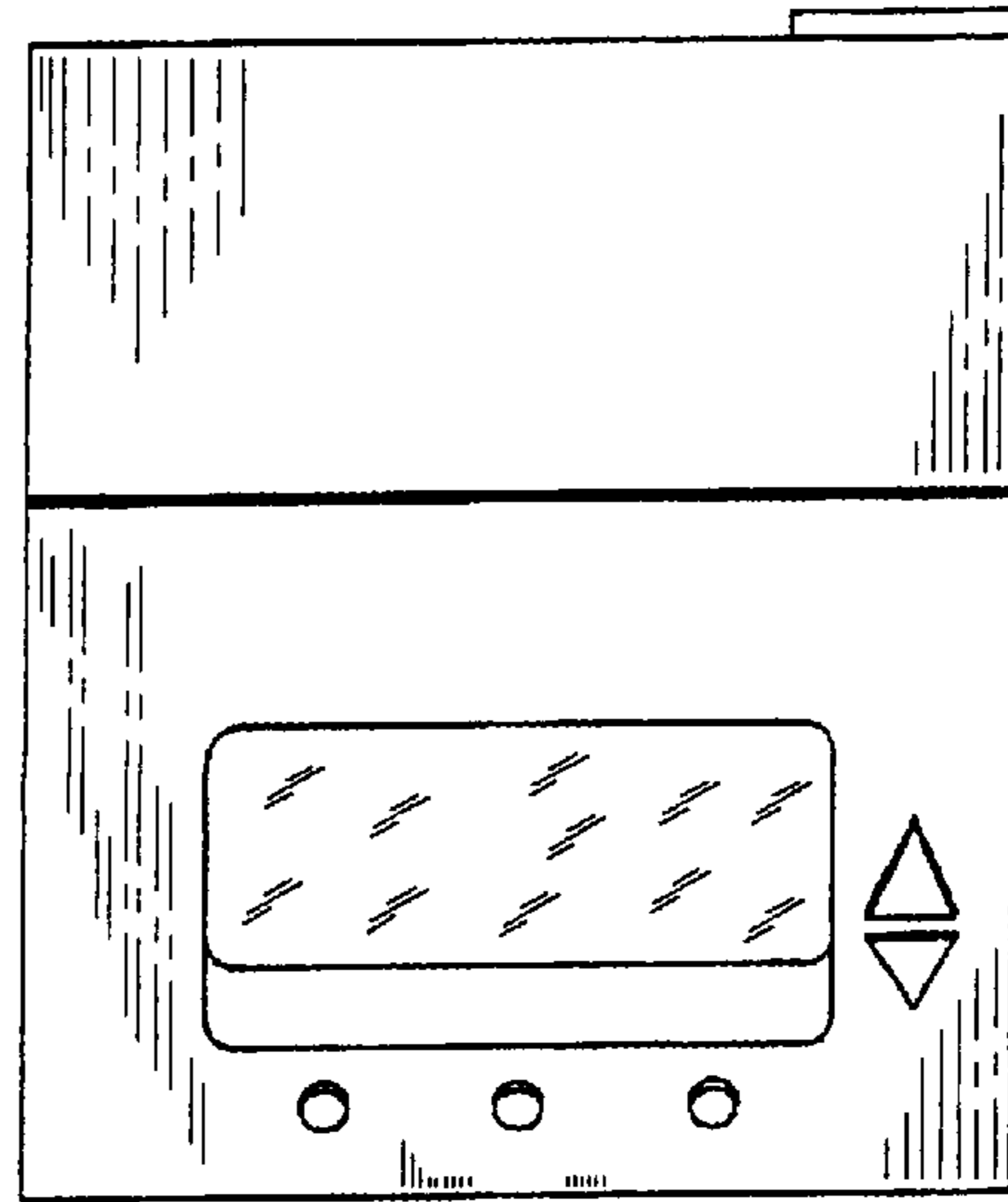


FIG. 6

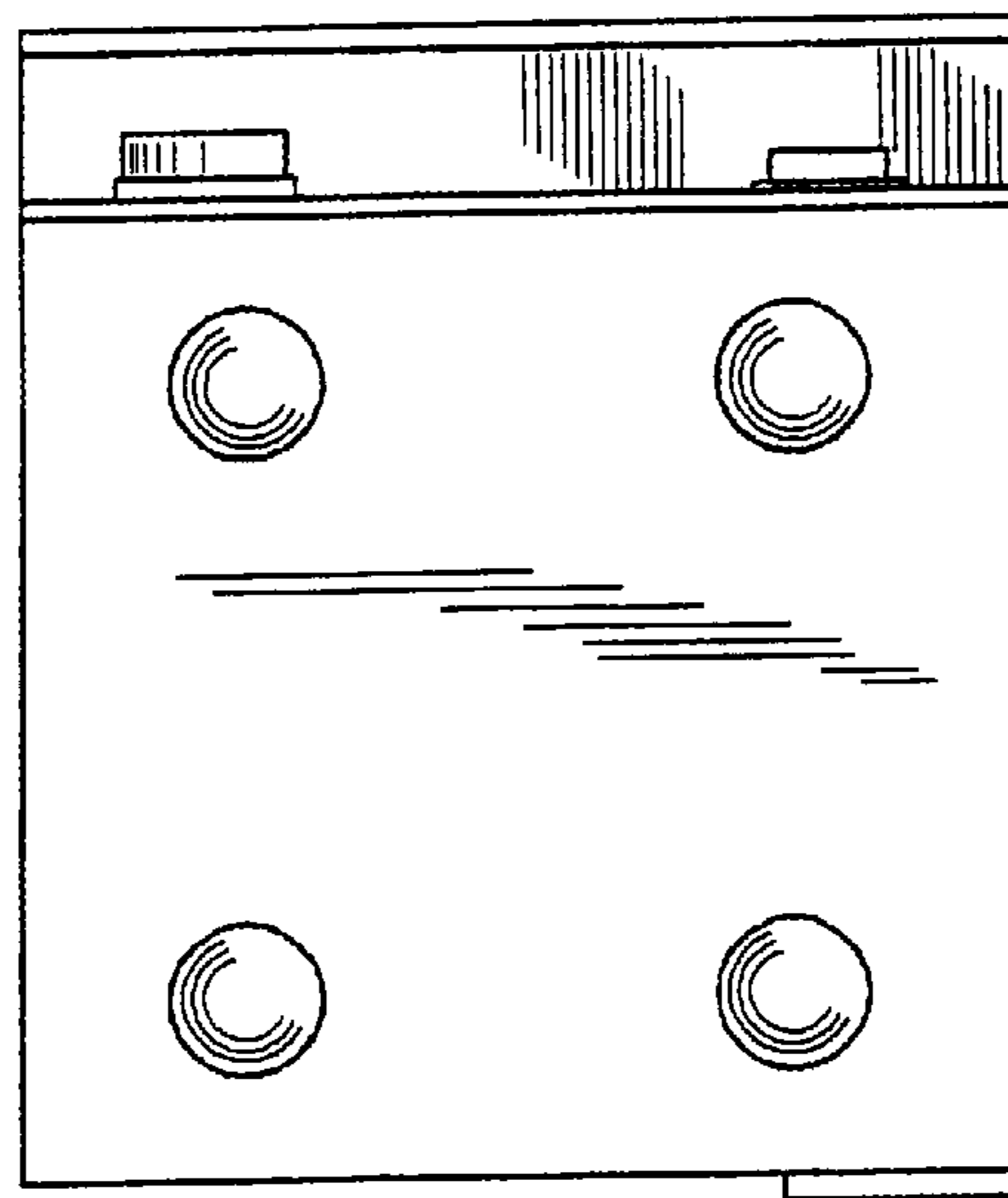


FIG. 7