

US00D527401S

(12) **United States Design Patent**
Mizuno et al.

(10) **Patent No.:** **US D527,401 S**

(45) **Date of Patent:** **** Aug. 29, 2006**

(54) **ELECTRODE FOR A PLASMA TORCH**

D505,963 S * 6/2005 Conway et al. D15/139

(75) Inventors: **Seiji Mizuno**, Tokyo (JP); **Akira Furujo**, Tokyo (JP)

* cited by examiner

(73) Assignee: **Gunma Koike Co., Ltd.**, Gunma-ken (JP)

Primary Examiner—Antoine D. Davis

Assistant Examiner—Patricia Palasik

(74) *Attorney, Agent, or Firm*—Townsend & Banta

(**) Term: **14 Years**

(21) Appl. No.: **29/214,159**

(22) Filed: **Sep. 29, 2004**

(30) **Foreign Application Priority Data**

Mar. 31, 2004 (JP) 2004-009842

(51) **LOC (8) Cl.** **15-09**

(52) **U.S. Cl.** **D15/144**

(58) **Field of Classification Search** D15/139,
D15/144-144.2; 219/121.44-121.5; 313/231.31
See application file for complete search history.

(56) **References Cited**

U.S. PATENT DOCUMENTS

6,559,407 B1 * 5/2003 Chancey et al. 219/121.47

(57) **CLAIM**

The ornamental design for an eletrode for a plasma torch, as shown and described.

DESCRIPTION

FIG. 1 is a front view of our electrode for a plasma torch showing our design.

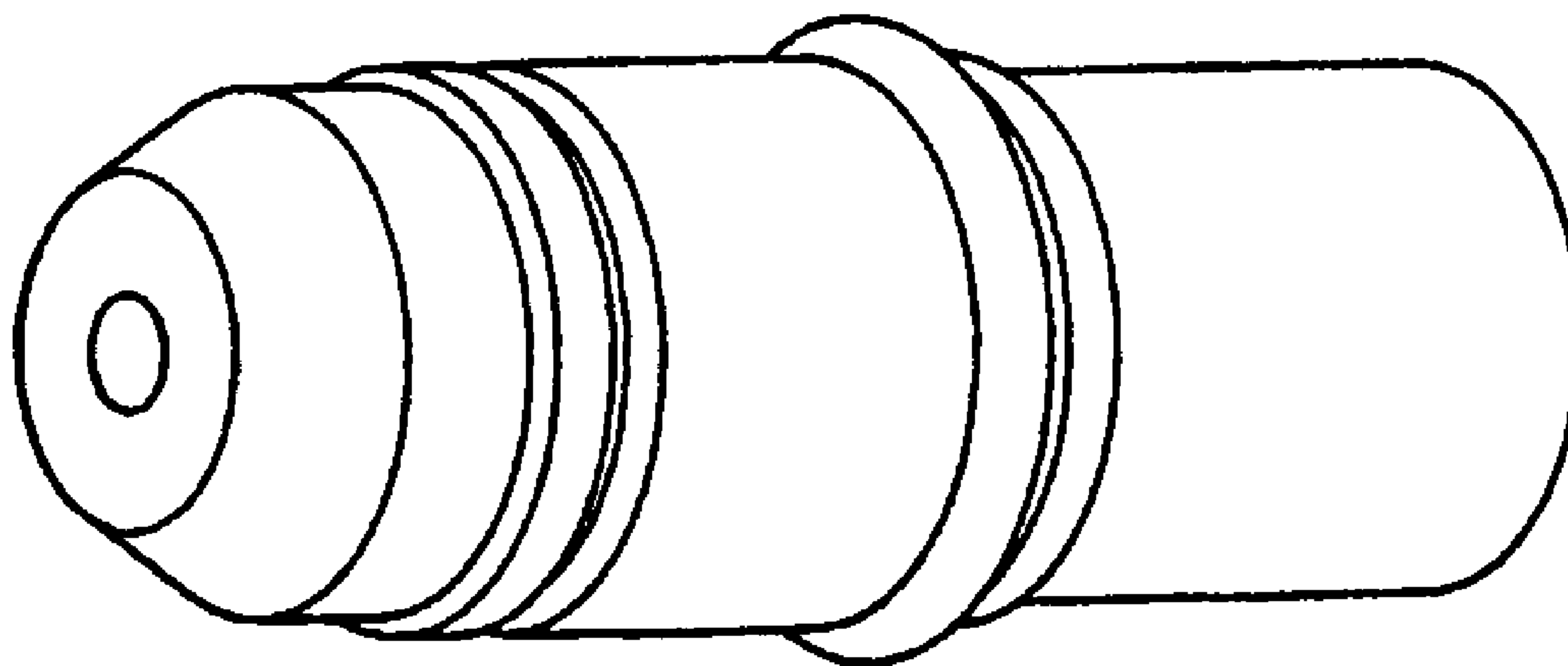
FIG. 2 is a top plan view of our electrode;

FIG. 3 is a right side view of our electrode;

FIG. 4 is a left side view of our electrode; and,

FIG. 5 is a perspective view of our electrode.

1 Claim, 5 Drawing Sheets



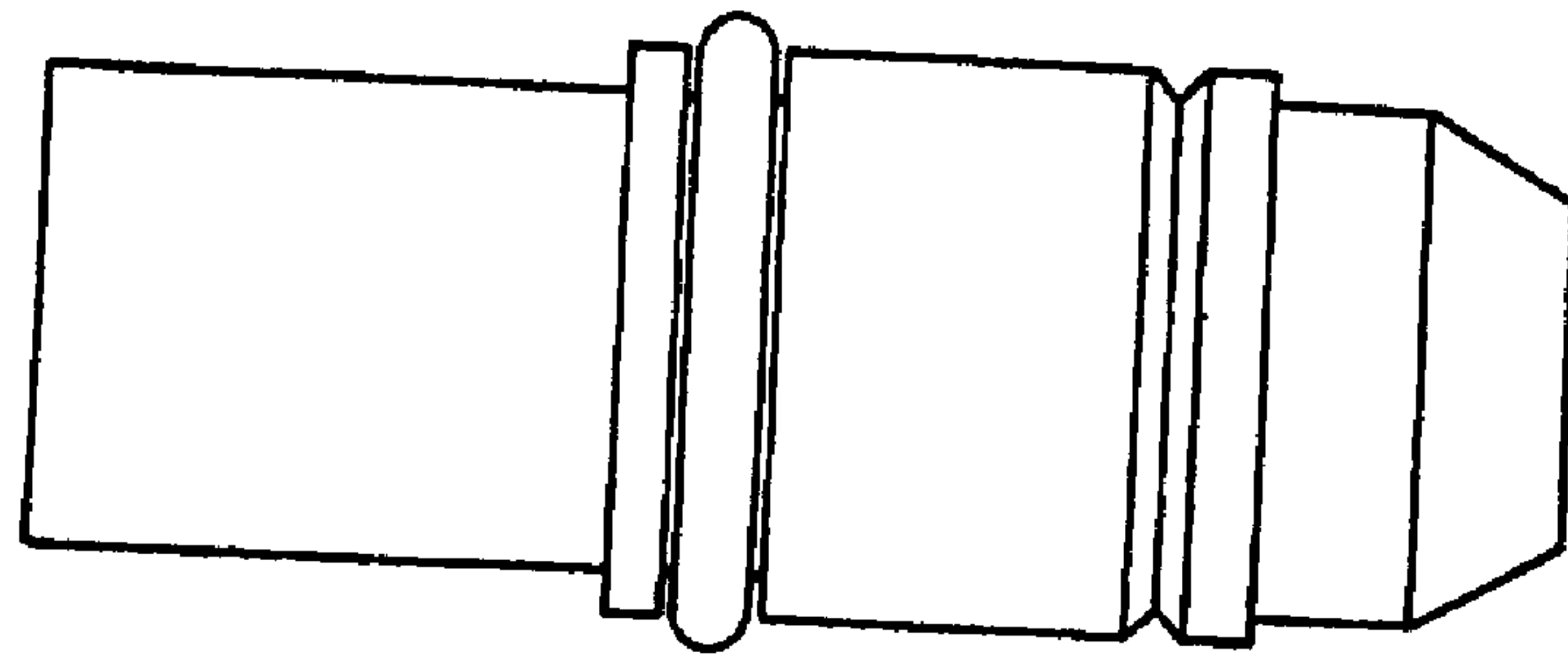


FIG. 1

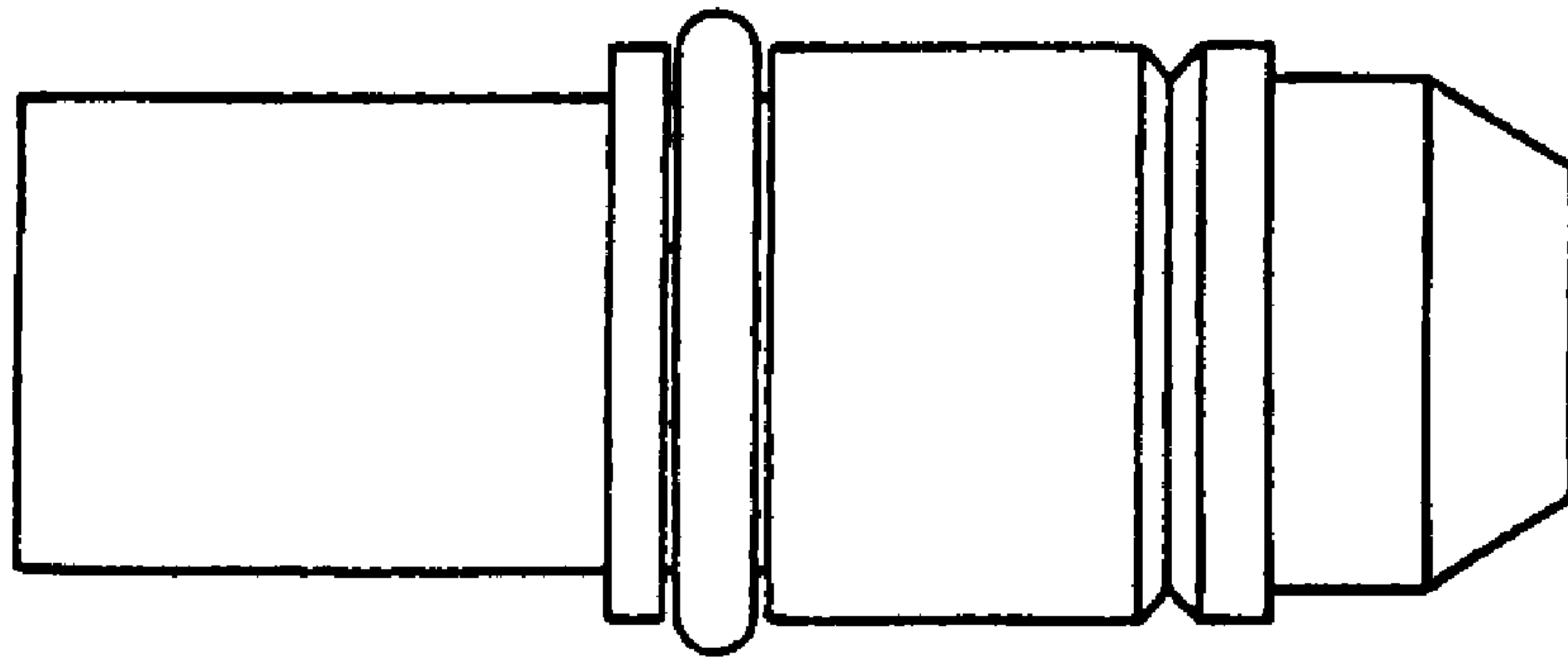


FIG. 2

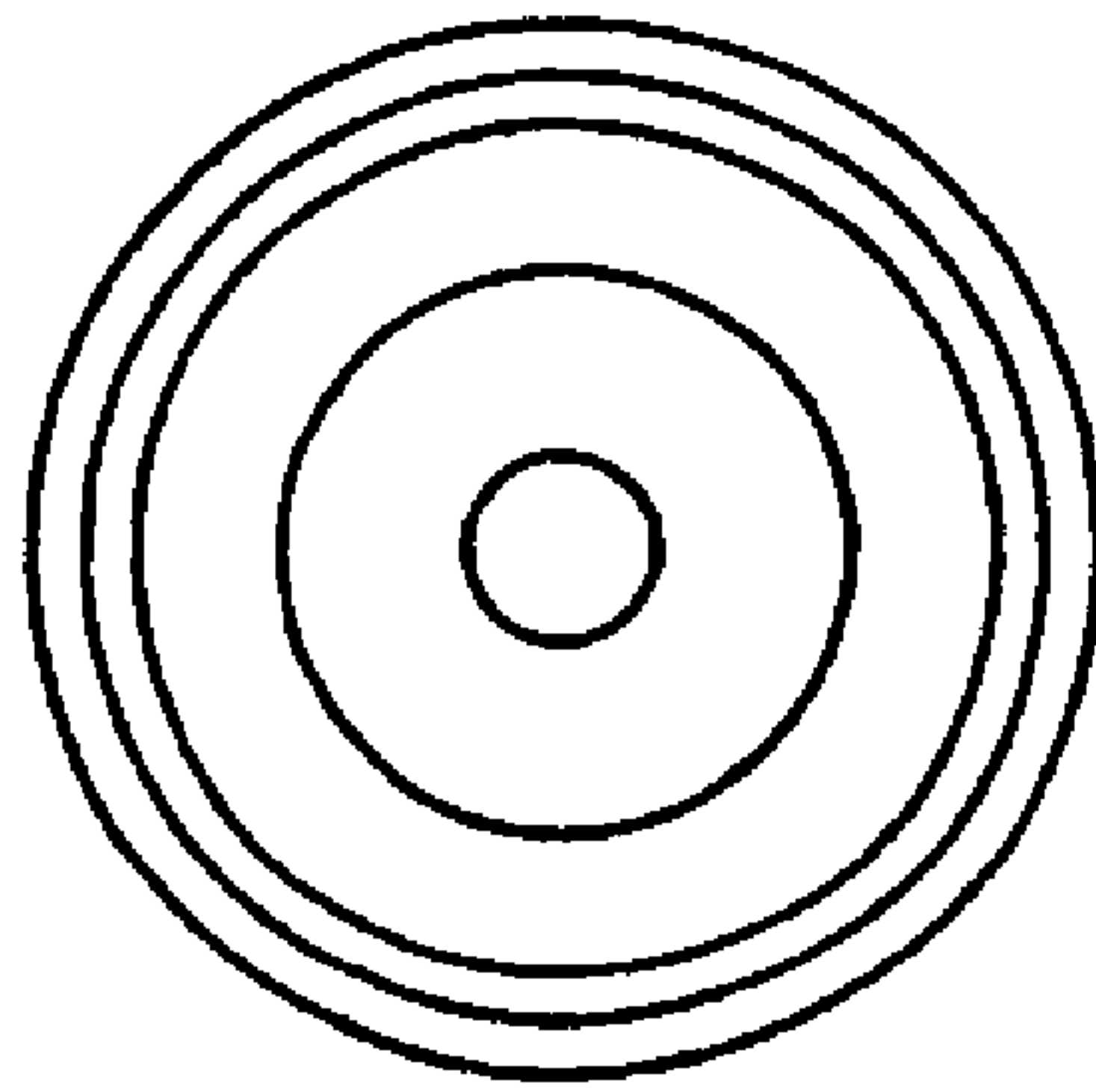


FIG. 3

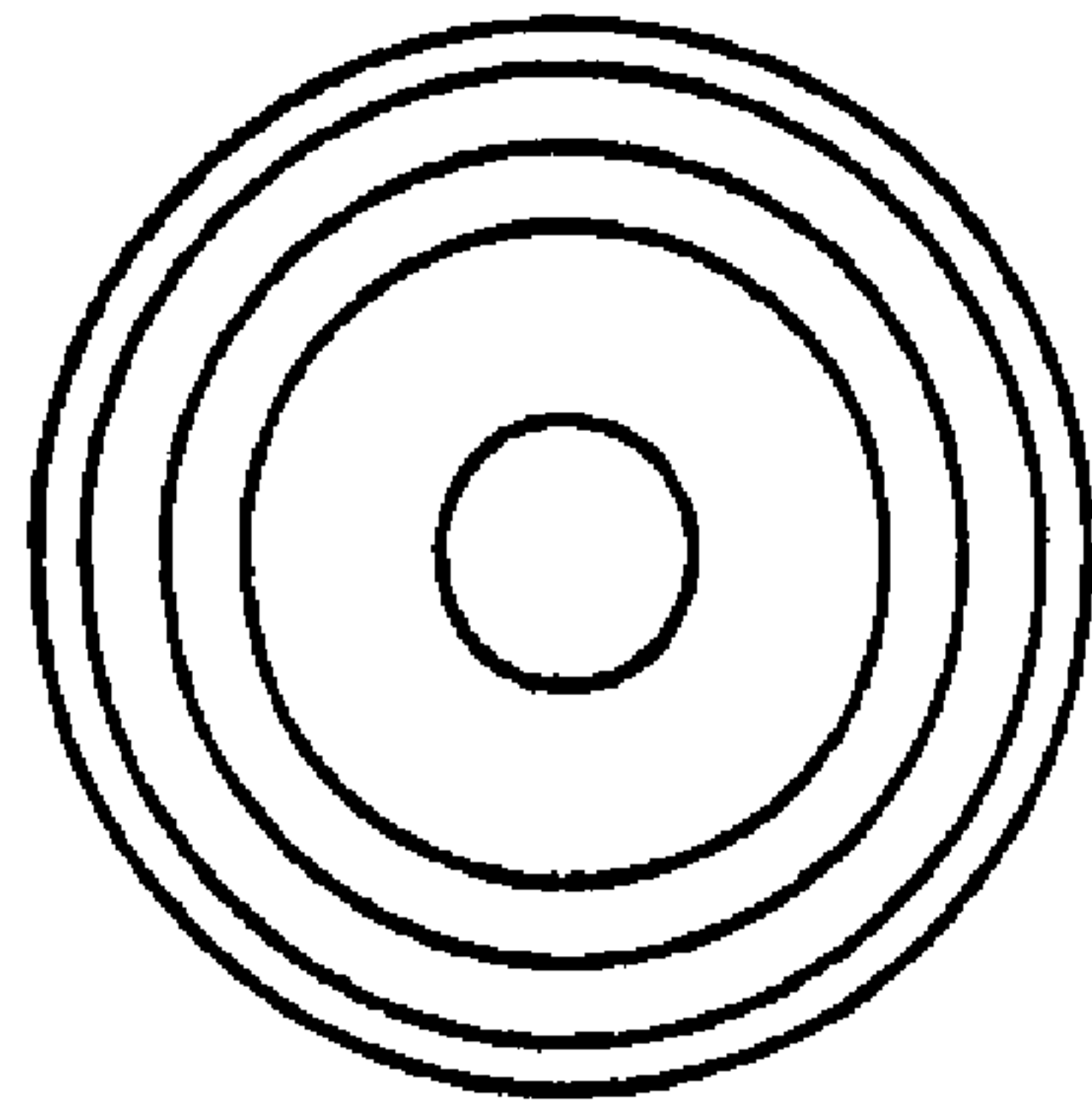


FIG. 4

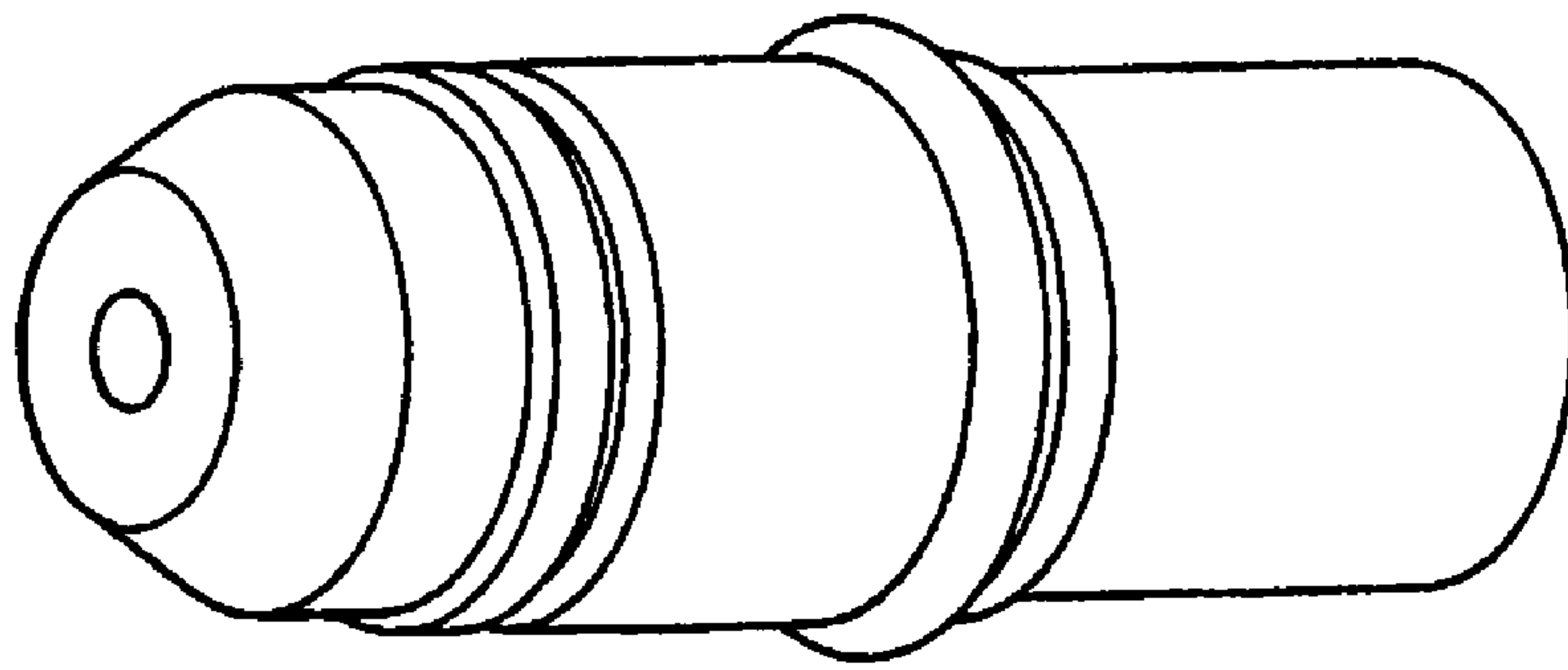


FIG. 5