

US00D527399S

(12) **United States Design Patent** (10) **Patent No.:** **US D527,399 S**
Belter (45) **Date of Patent:** **** Aug. 29, 2006**

(54) **CUTTING MACHINE**

(76) Inventor: **Detlef Belter**, Barkhausener Strasse
103, 49328 Melle (DE)

(**) Term: **14 Years**

(21) Appl. No.: **29/205,932**

(22) Filed: **May 24, 2004**

(51) **LOC (8) Cl.** **15-09**

(52) **U.S. Cl.** **D15/133; D15/127**

(58) **Field of Classification Search** D7/383;
83/77, 91, 102, 104, 167, 168, 701, 707,
83/708, 859, 478; 134/6

See application file for complete search history.

(56) **References Cited**

U.S. PATENT DOCUMENTS

5,478,404	A	*	12/1995	Kenamer	134/6
5,615,591	A	*	4/1997	Scherch et al.	83/707
D418,012	S	*	12/1999	Van Dullemen et al.	D7/383
D424,867	S	*	5/2000	Van Dullemen	D7/383
6,092,448	A	*	7/2000	Cartwright et al.	83/707
D439,587	S	*	3/2001	Lauer	D7/383
6,209,438	B1	*	4/2001	Mitchell et al.	83/707
D489,953	S	*	5/2004	Horner-Richardson et al.	D8/30

* cited by examiner

Primary Examiner—Antoine D. Davis

(74) *Attorney, Agent, or Firm*—Laurence A. Greenberg;
Werner H. Stemer; Ralph E. Locher

(57) **CLAIM**

The ornamental design for a cutting machine, as shown and described.

DESCRIPTION

FIG. 1 is a left and front perspective view of a cutting machine embodying the present invention;

FIG. 2 is a right and rear perspective view of a cutting machine embodying the present invention;

FIG. 3 is a right side perspective view of a cutting machine without slide bar embodying the present invention;

FIG. 4 is a front and top perspective view of a cutting machine without slide bar embodying the present invention;

FIG. 5 is a left side view of a cutting machine embodying the present invention;

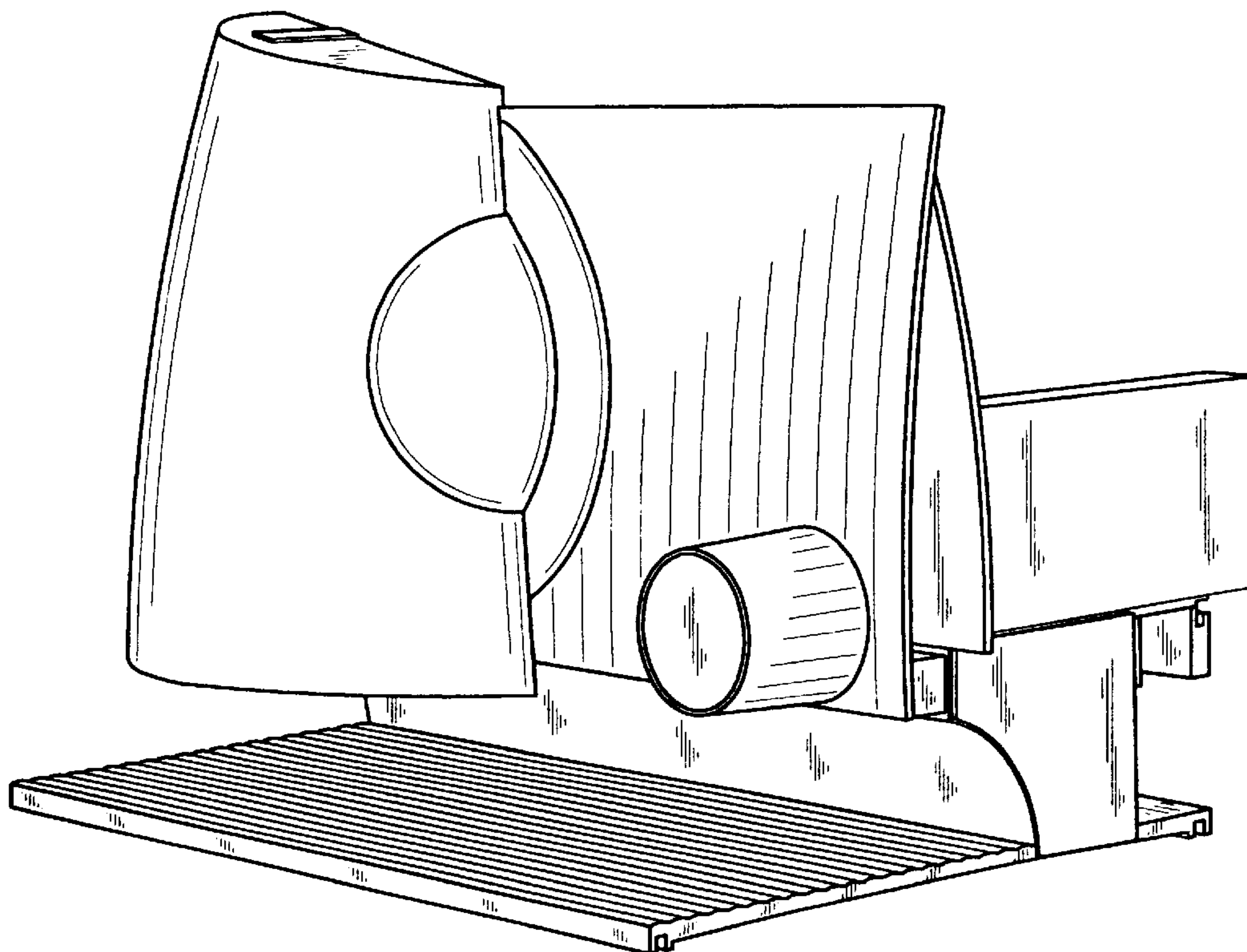
FIG. 6 is a left side and front perspective view of a cutting machine without slide bar embodying the present invention;

and,

FIG. 7 is a rear perspective view of a cutting machine embodying the present invention.

The broken line showing is for illustrative purposes only and forms no part of the claimed design.

1 Claim, 7 Drawing Sheets



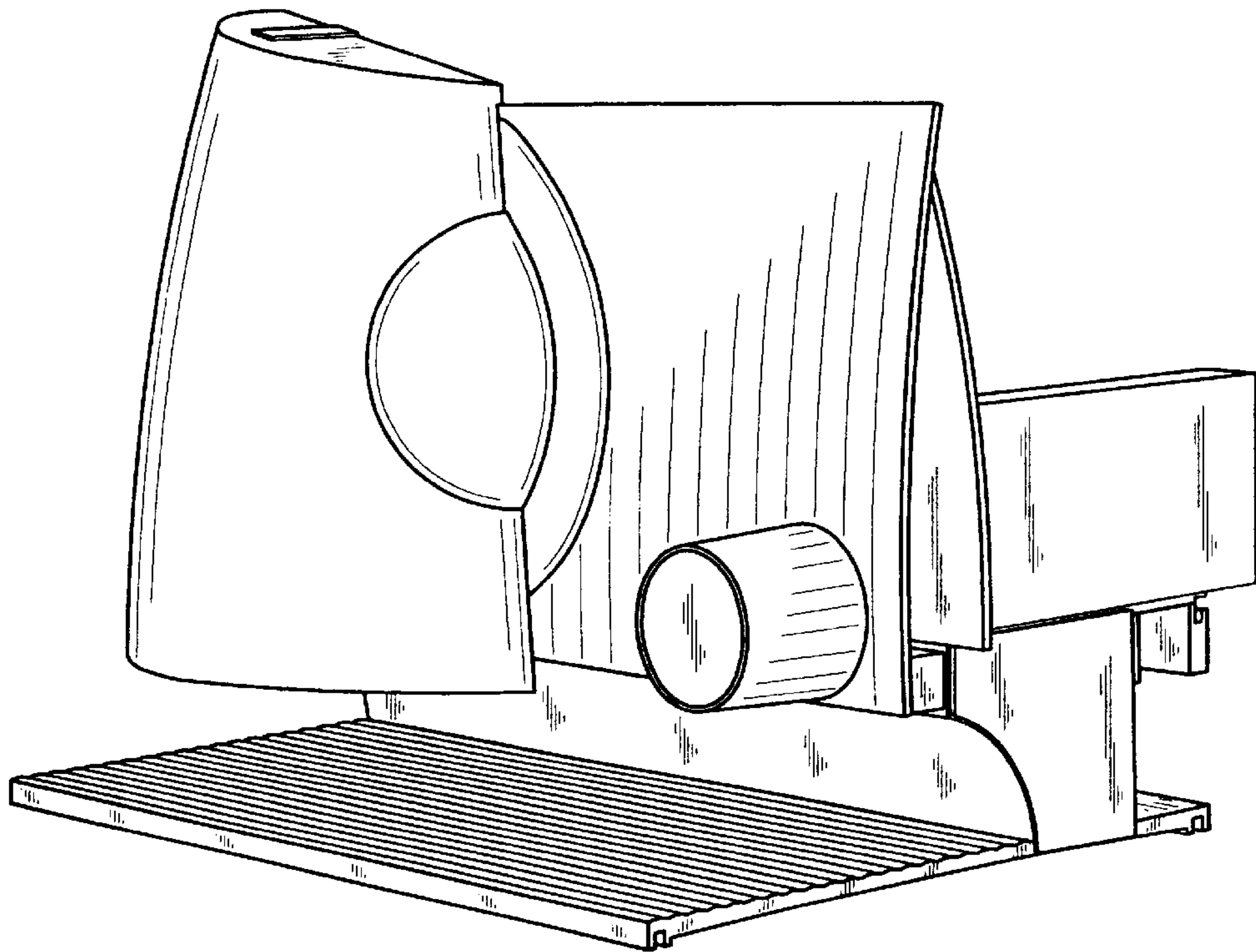


FIG. 1

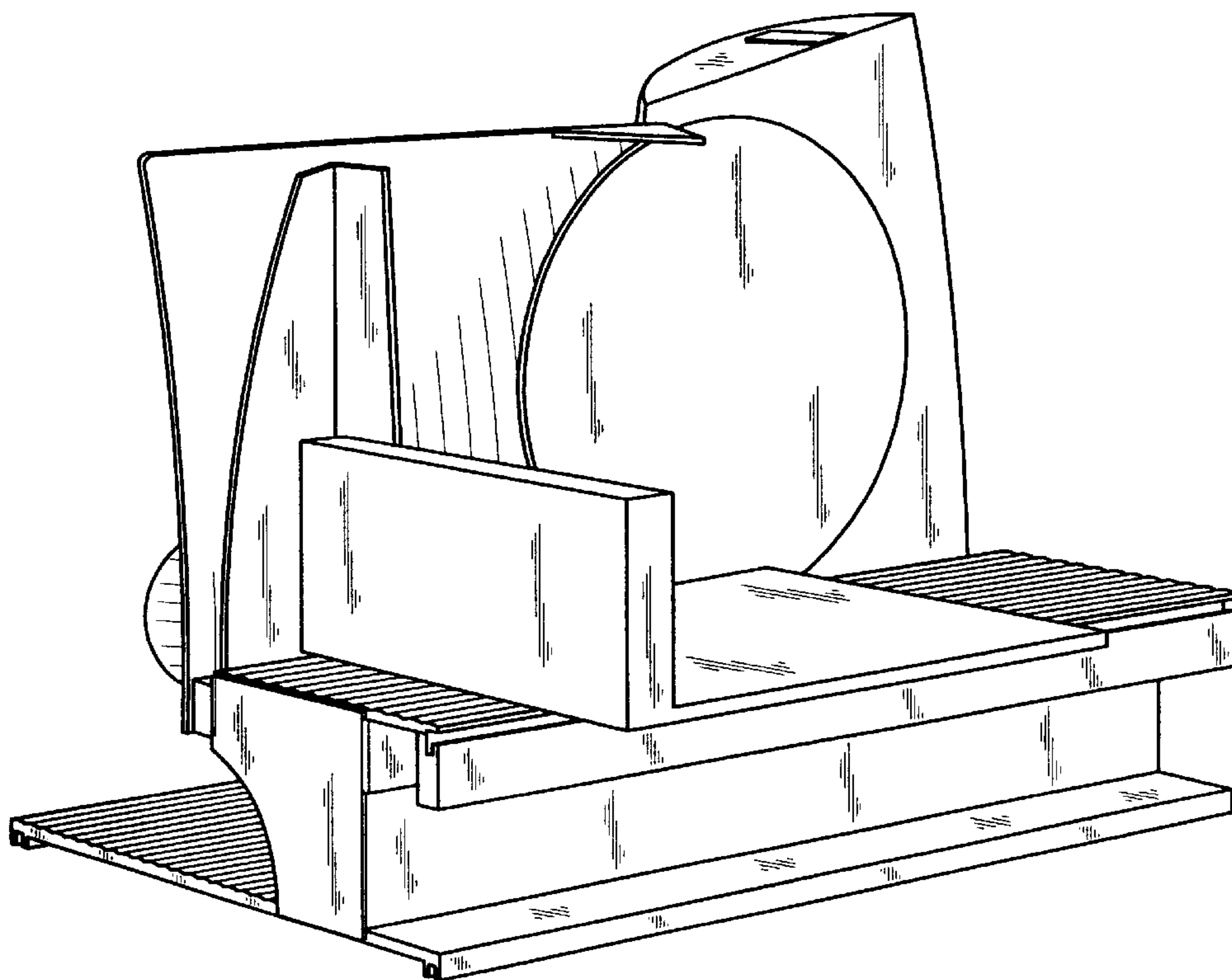


FIG. 2

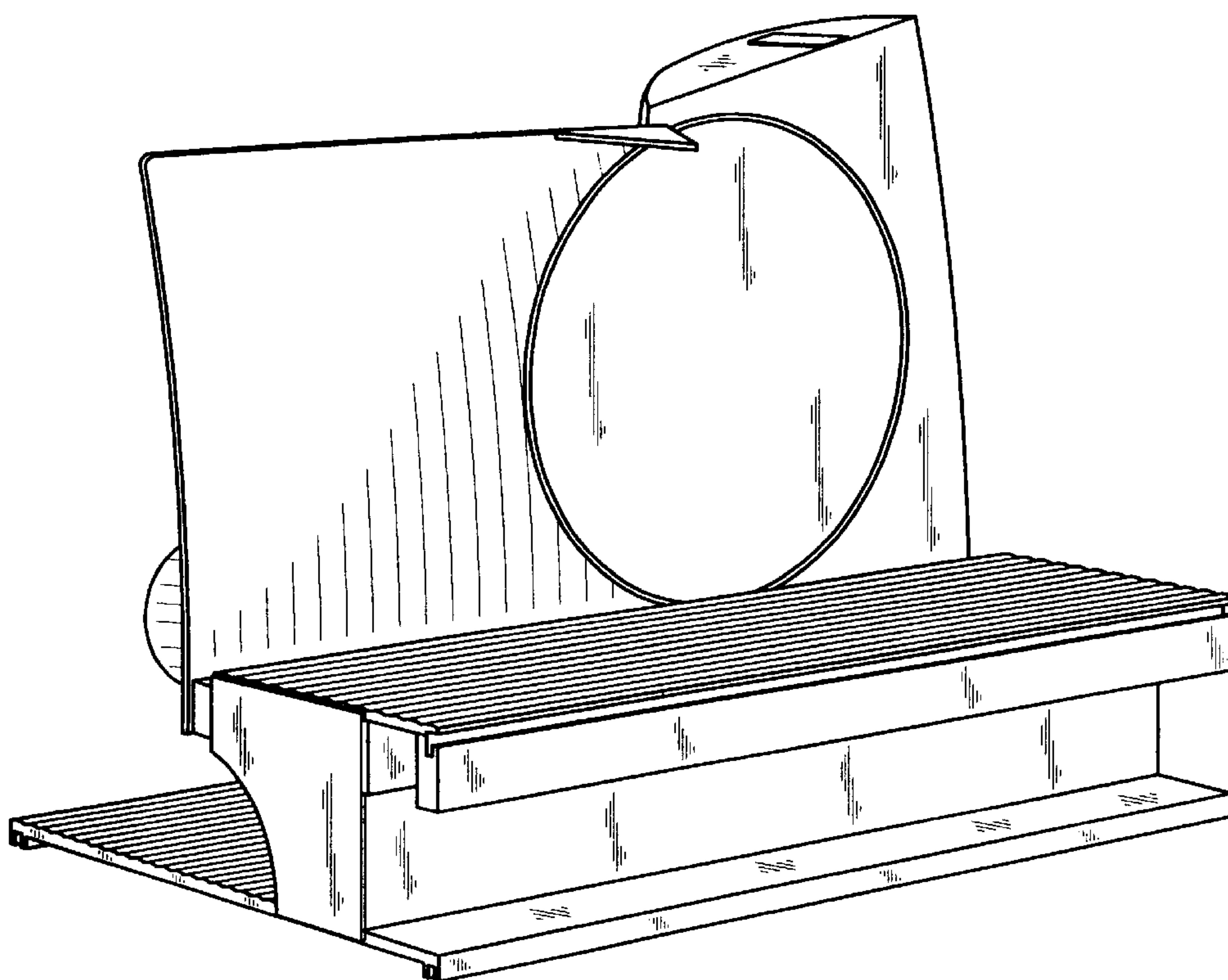


FIG. 3

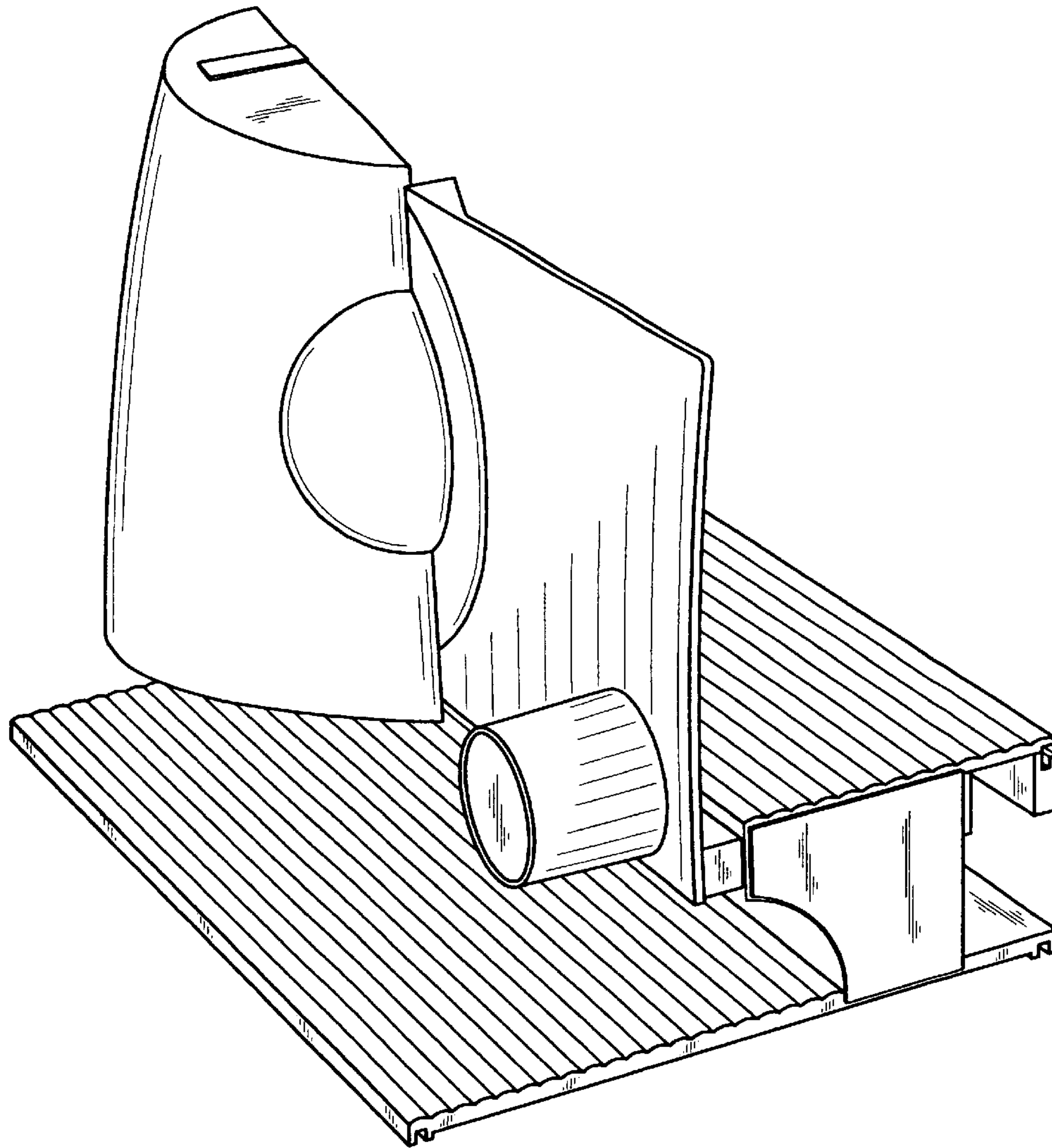


FIG. 4

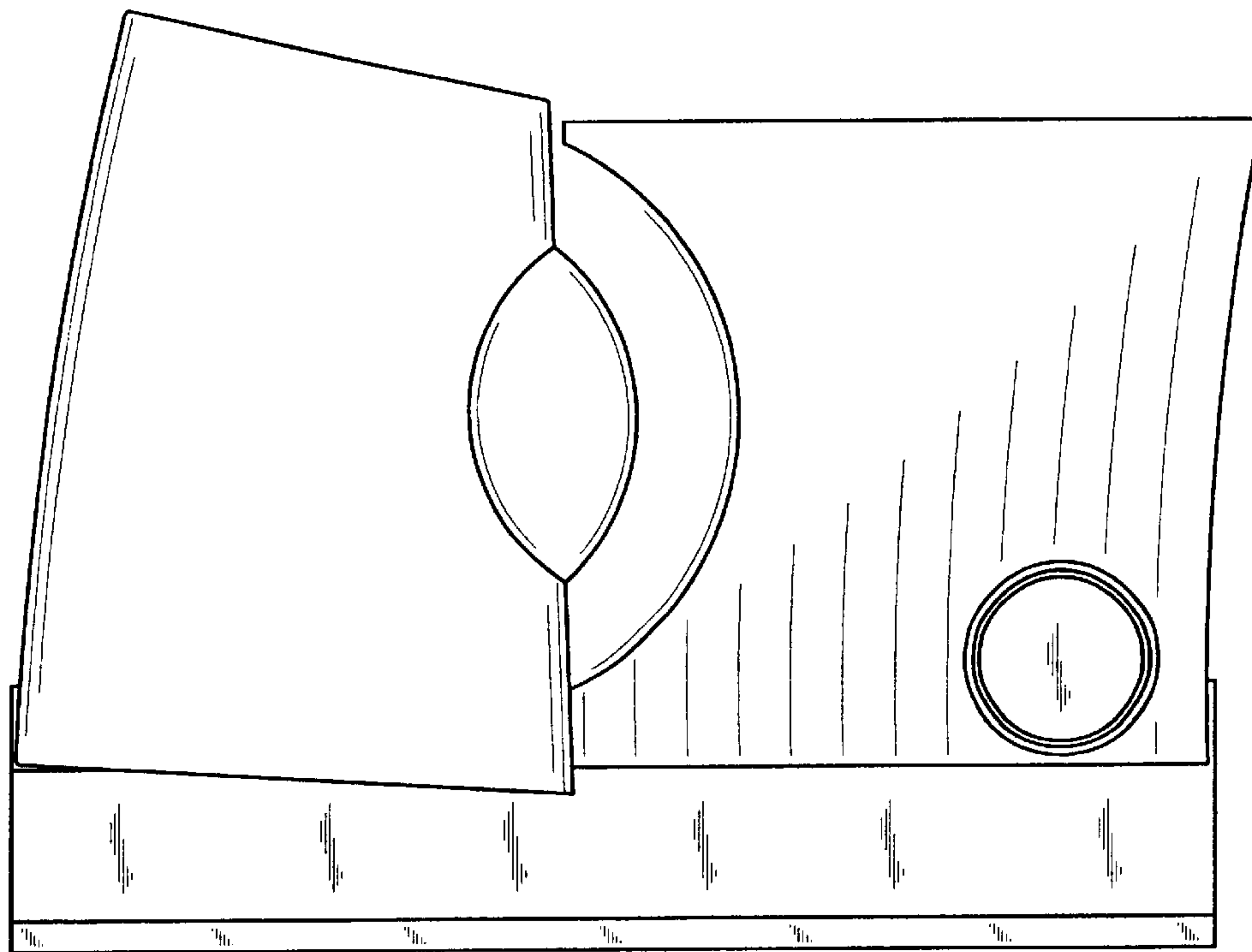


FIG. 5

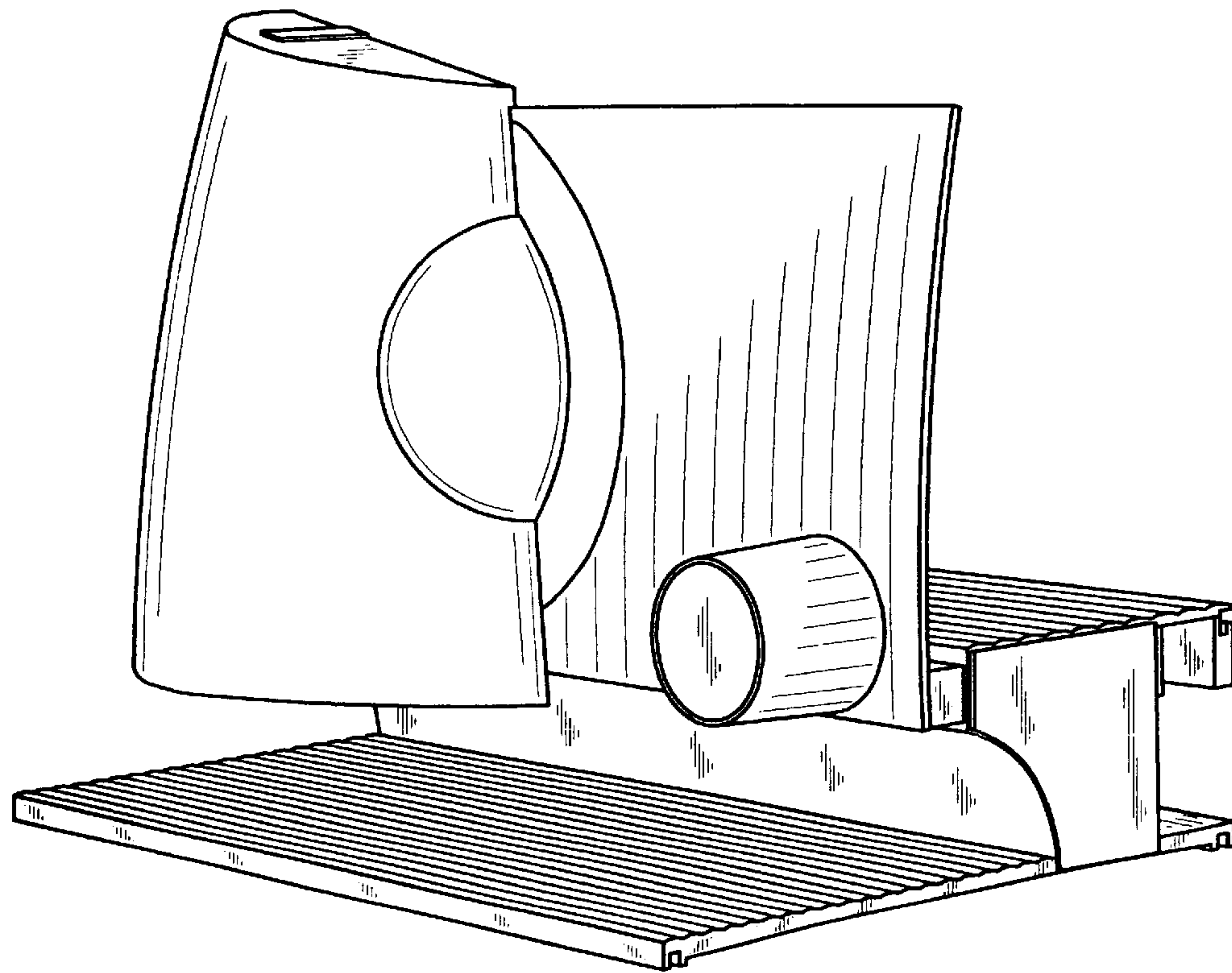


FIG. 6

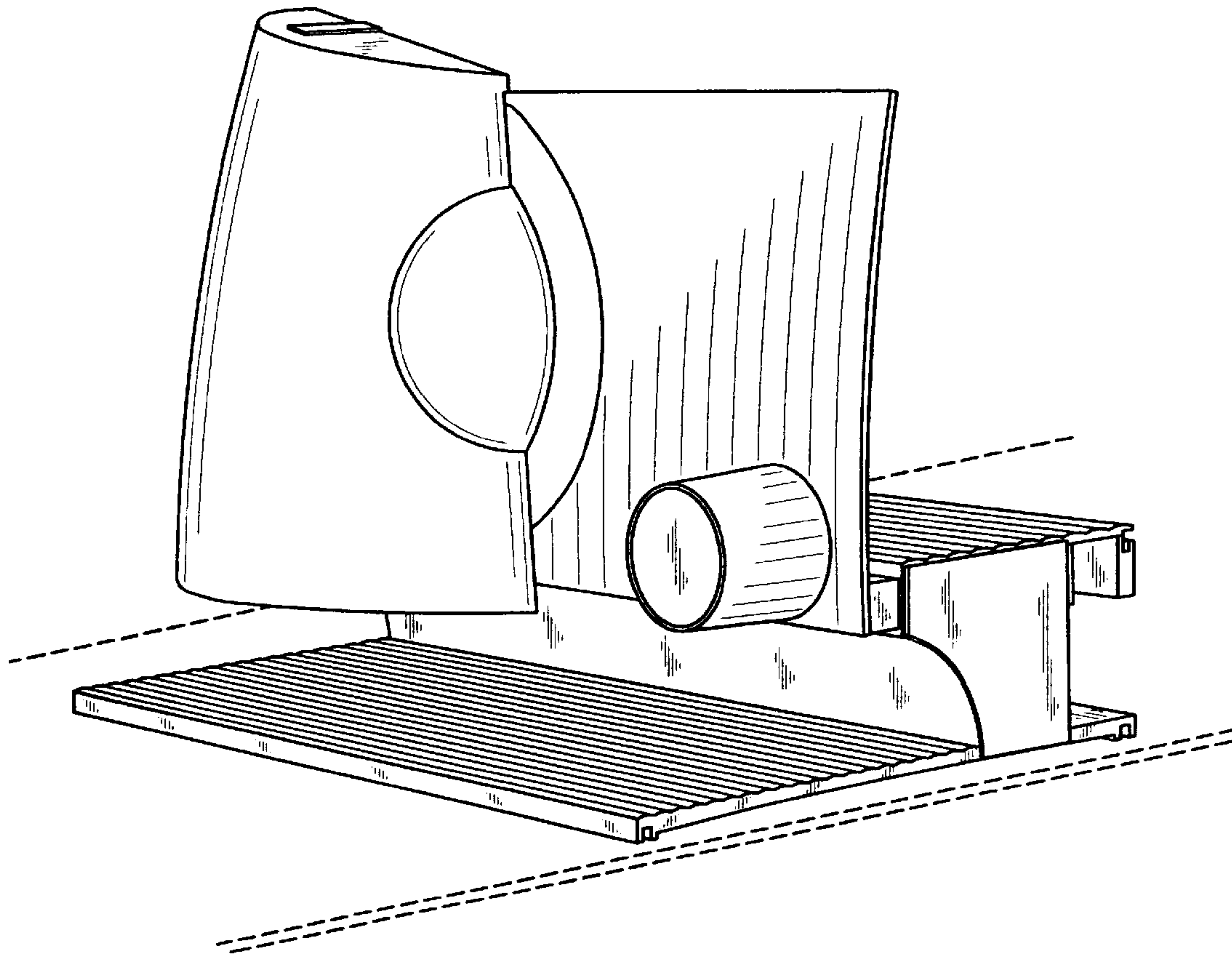


FIG. 7