

US00D527394S

(12) **United States Design Patent**  
**Rosenzweig**

(10) **Patent No.:** **US D527,394 S**

(45) **Date of Patent:** **\*\* Aug. 29, 2006**

(54) **SEWING MACHINE**

D508,500 S \* 8/2005 Kawaguchi ..... D15/70

(75) Inventor: **Max Rosenzweig**, Montreal (CA)

\* cited by examiner

(73) Assignee: **Euro-Pro Corporation**, West Newton, MA (US)

*Primary Examiner*—Mitchell Siegel

*Assistant Examiner*—Shanda C. Hill

(\*\*) Term: **14 Years**

(74) *Attorney, Agent, or Firm*—Venable LLP; Ralph P. Albrecht

(21) Appl. No.: **29/240,707**

(57) **CLAIM**

(22) Filed: **Oct. 18, 2005**

The ornamental design for a sewing machine, as shown and described.

(51) **LOC (8) Cl.** ..... **15-06**

(52) **U.S. Cl.** ..... **D15/70**

(58) **Field of Classification Search** ..... D15/66-70;  
112/2, 63, 78, 154, 163, 217.1, 217.2, 217.3,  
112/217.4, 258-261, 444

See application file for complete search history.

**DESCRIPTION**

(56) **References Cited**

**U.S. PATENT DOCUMENTS**

D359,965 S	*	7/1995	Nakajima et al.	.....	D15/69
D434,781 S	*	12/2000	Kawaguchi	.....	D15/69
D437,329 S	*	2/2001	Kuroki	.....	D15/69
D474,207 S	*	5/2003	Kuroki	.....	D15/69
D474,208 S	*	5/2003	Kawaguchi	.....	D15/69
D481,738 S	*	11/2003	Egami	.....	D15/69
D505,433 S	*	5/2005	Kuroki	.....	D15/69
D506,213 S	*	6/2005	Kuroki	.....	D15/69
D507,583 S	*	7/2005	Muto	.....	D15/70

FIG. 1 is a perspective view of a sewing machine showing my new design;

FIG. 2 is a left side elevational view thereof;

FIG. 3 is a right side elevational view thereof;

FIG. 4 is a front elevational view thereof;

FIG. 5 is a rear elevational view thereof;

FIG. 6 is a top plan view thereof;

FIG. 7 is a perspective view of a second embodiment of the sewing machine disclosed in FIG. 1;

FIG. 8 is a left side elevational view of FIG. 7;

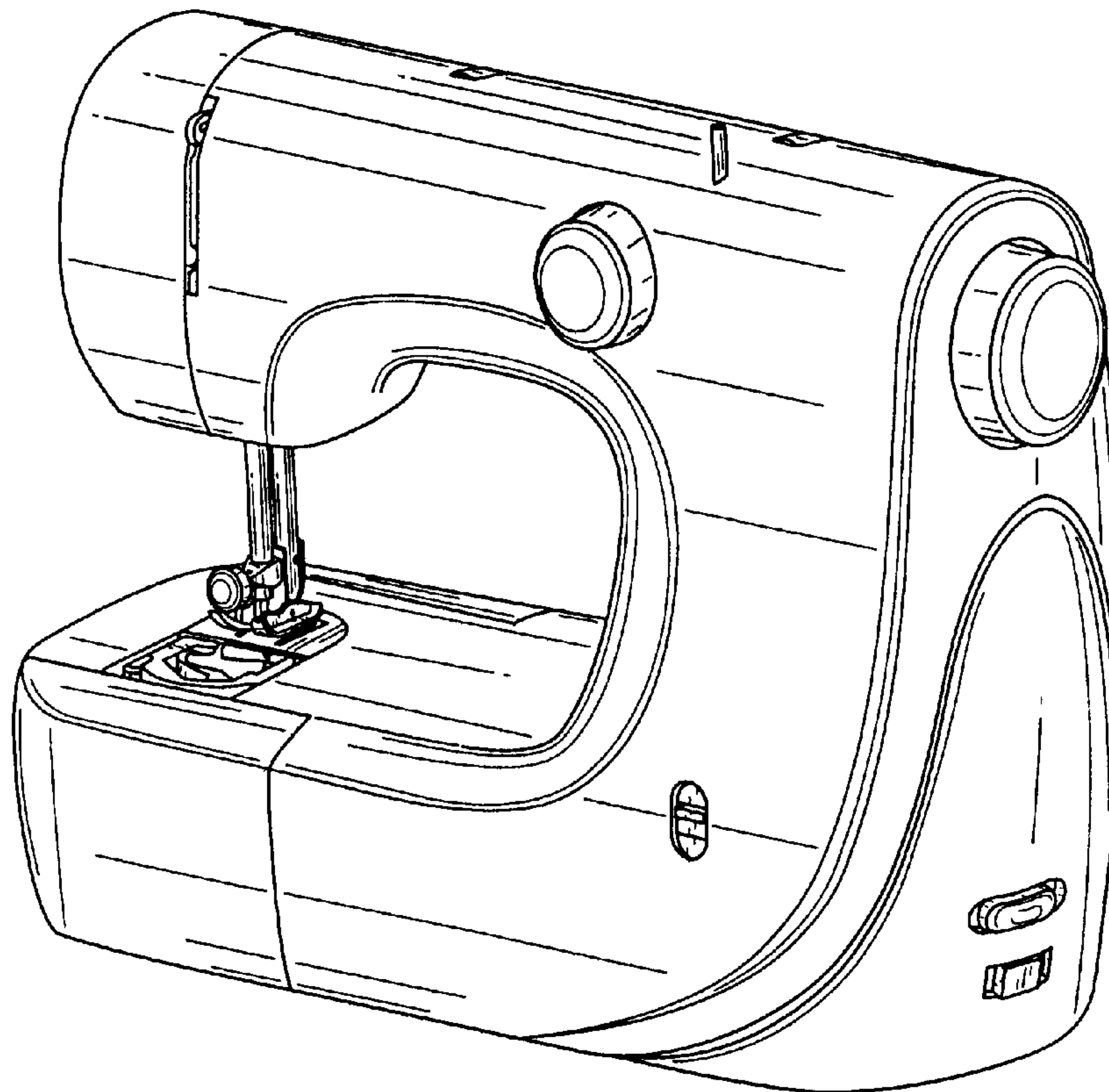
FIG. 9 is a right side elevational view FIG. 7;

FIG. 10 is a front elevational view of FIG. 7;

FIG. 11 is a rear elevational view of FIG. 7; and,

FIG. 12 is a top plan view FIG. 7.

**1 Claim, 12 Drawing Sheets**



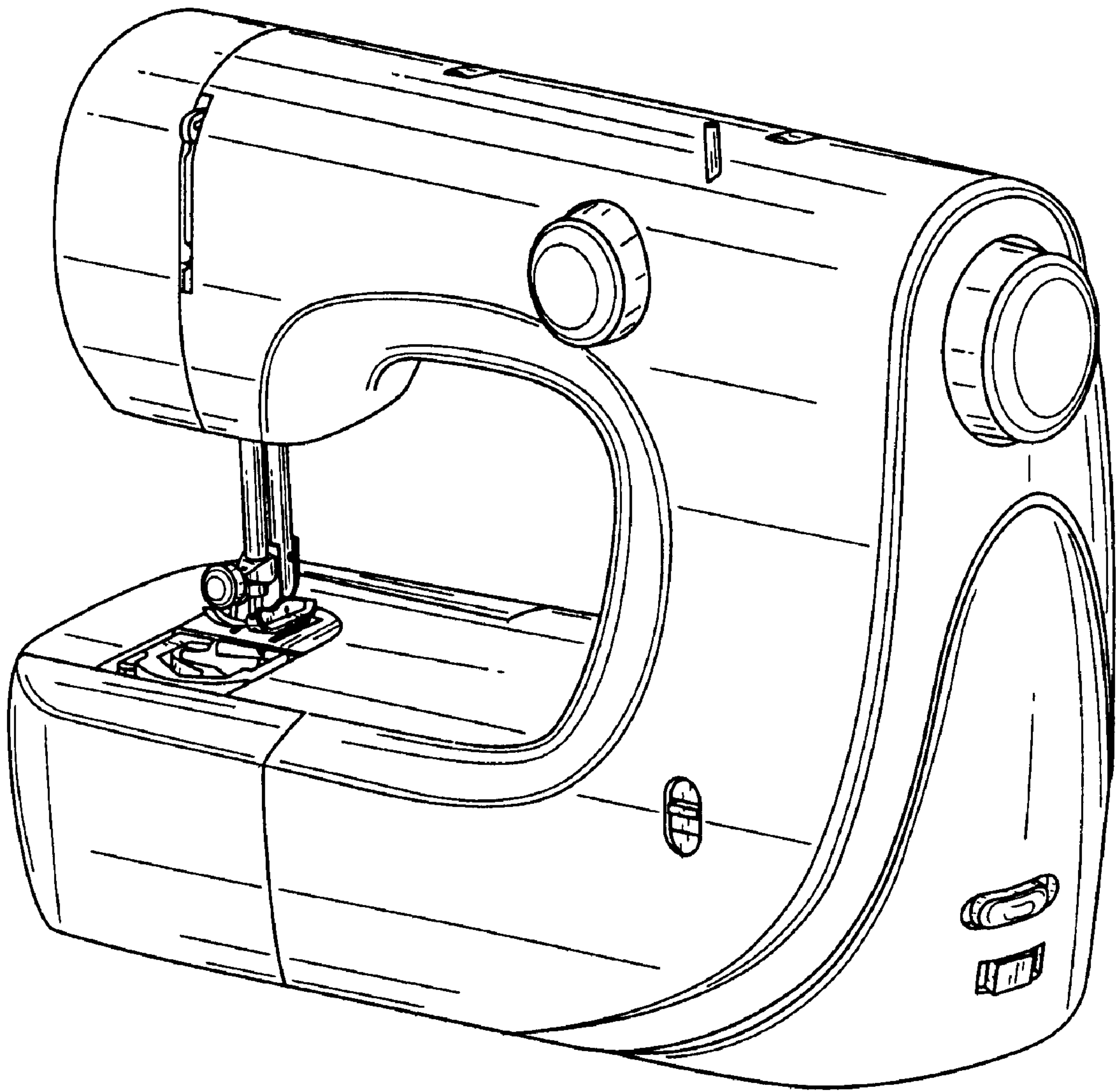


FIG. 1

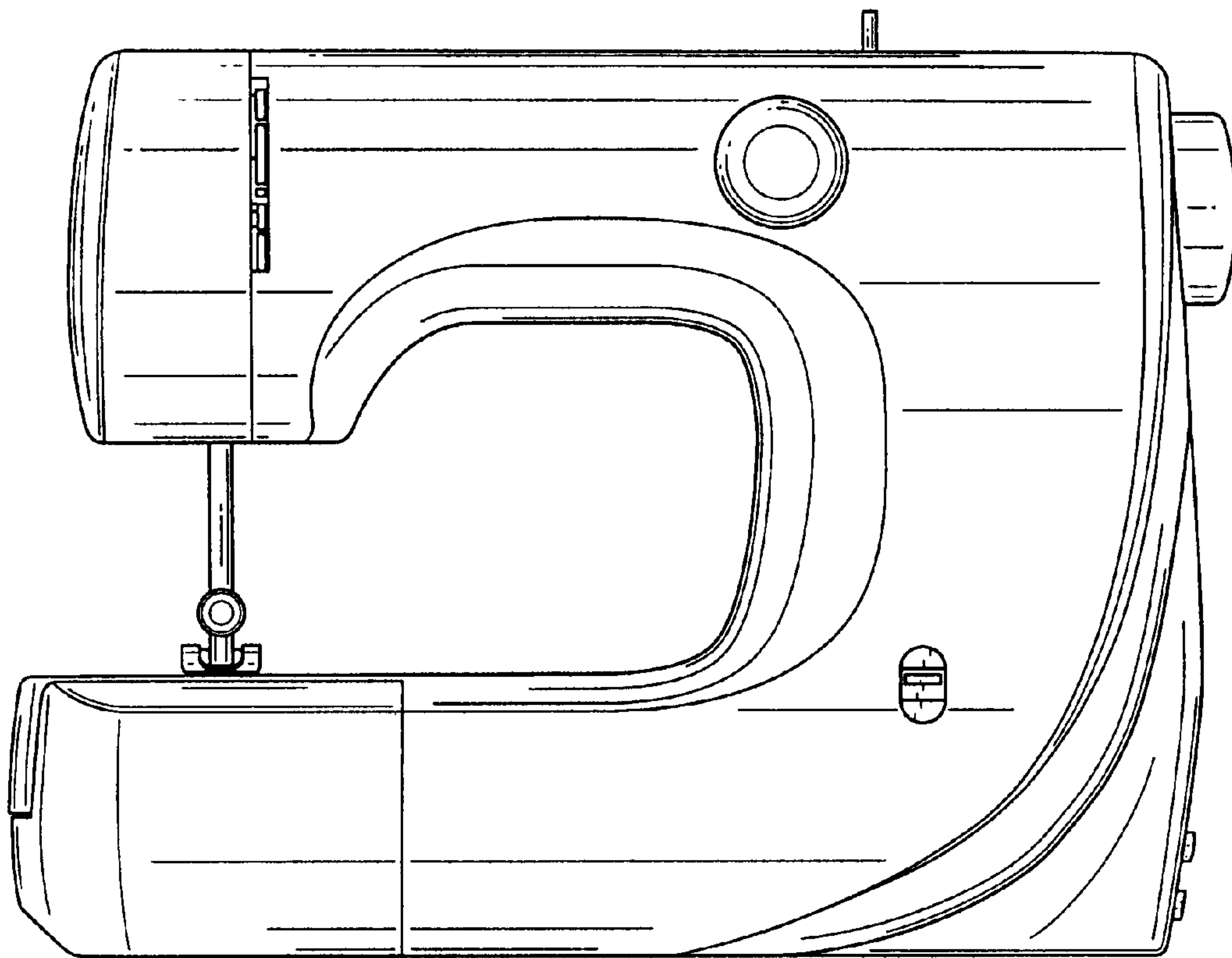


FIG. 2

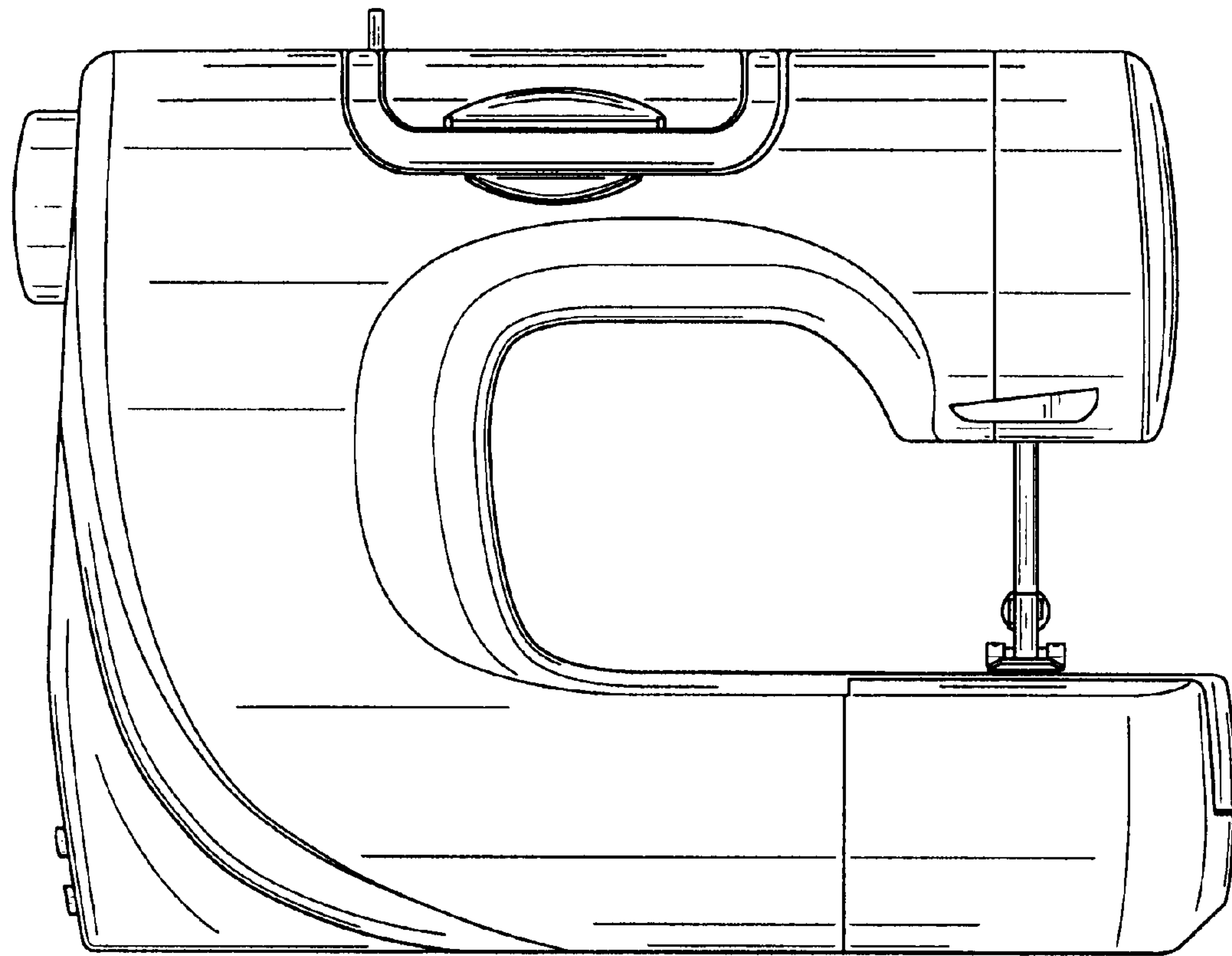


FIG. 3

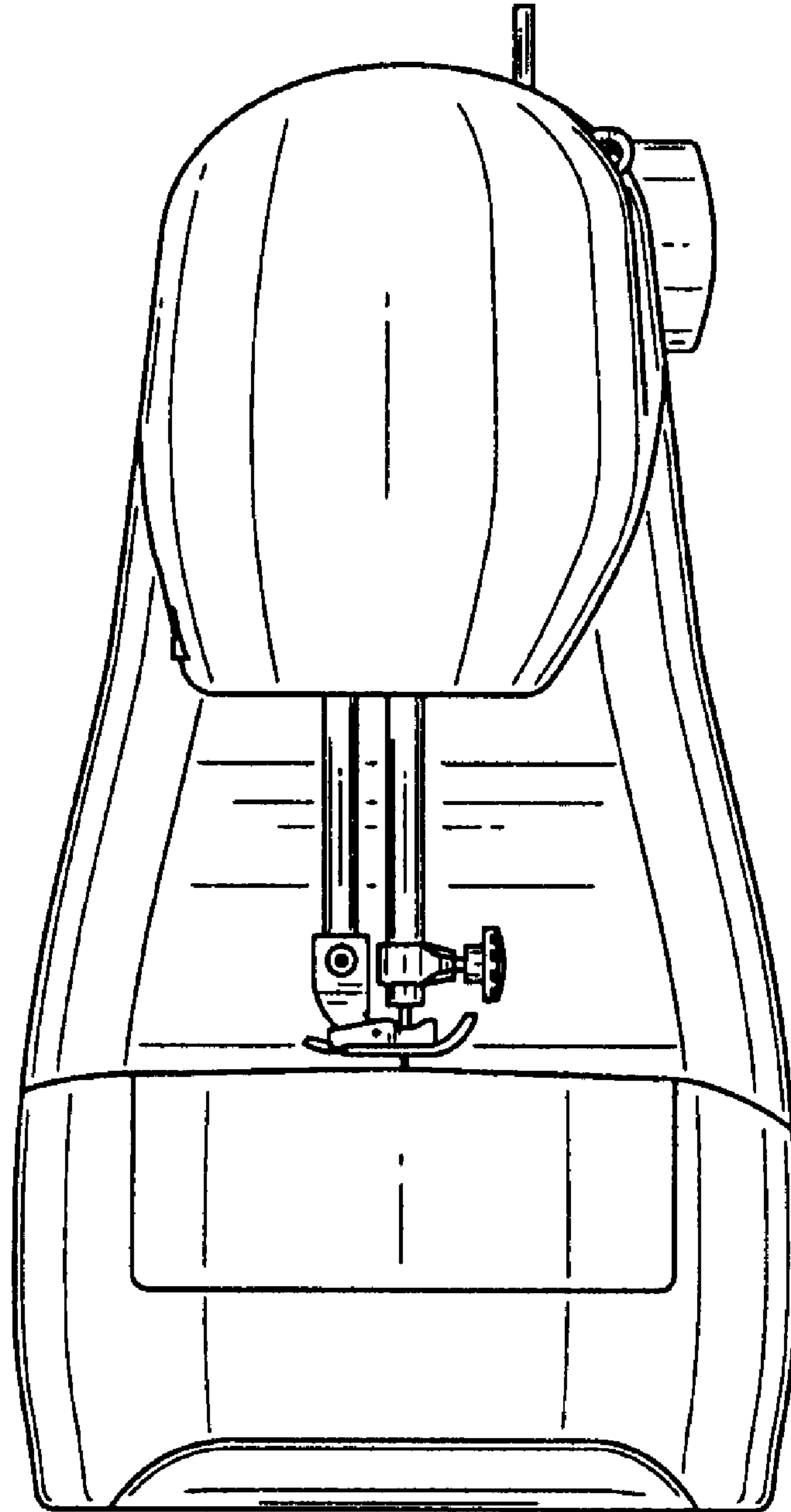


FIG. 4



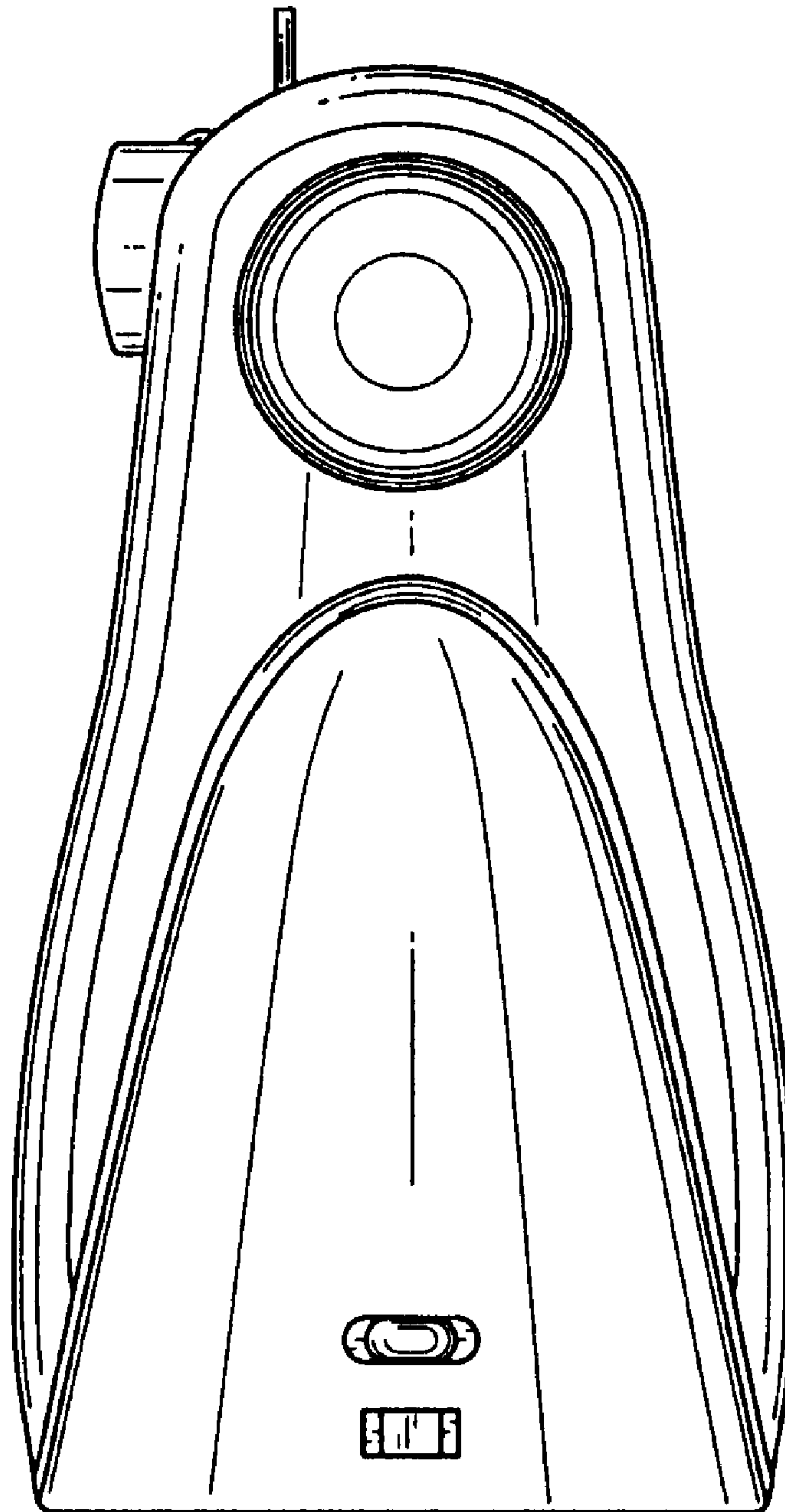


FIG. 5

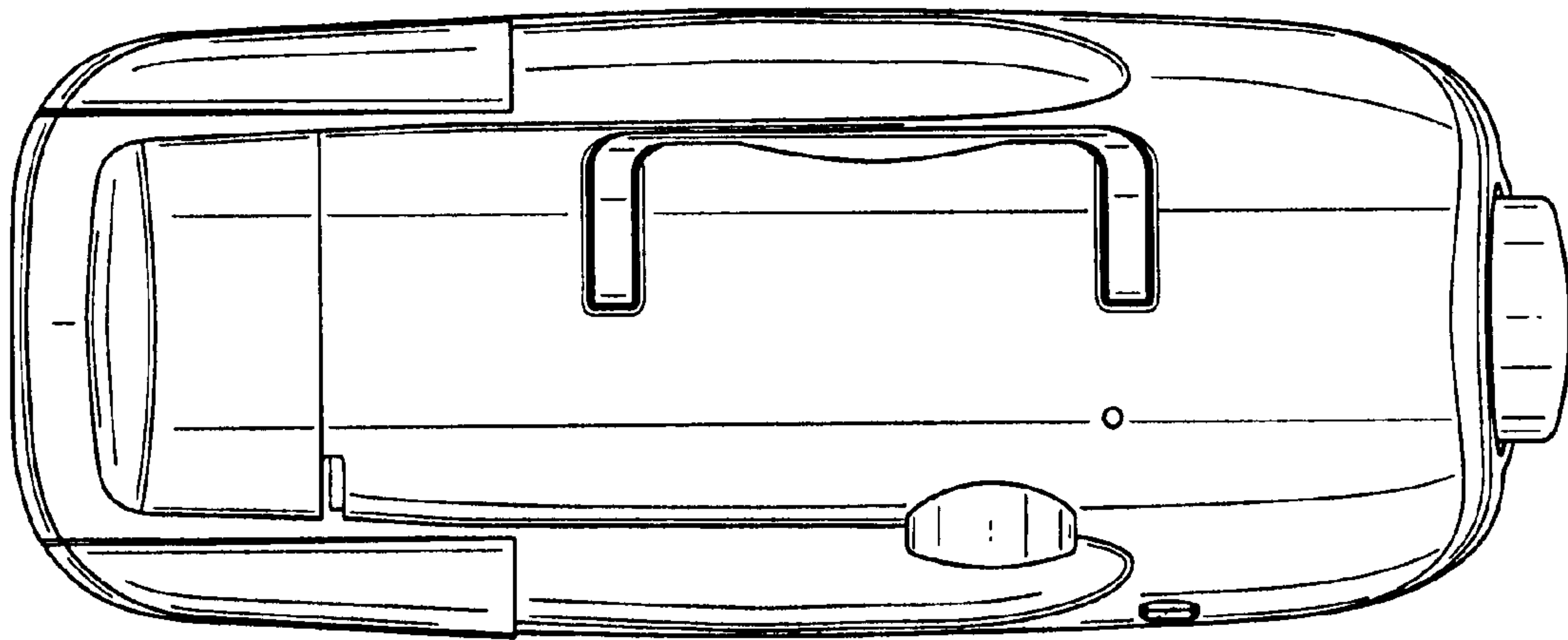


FIG. 6

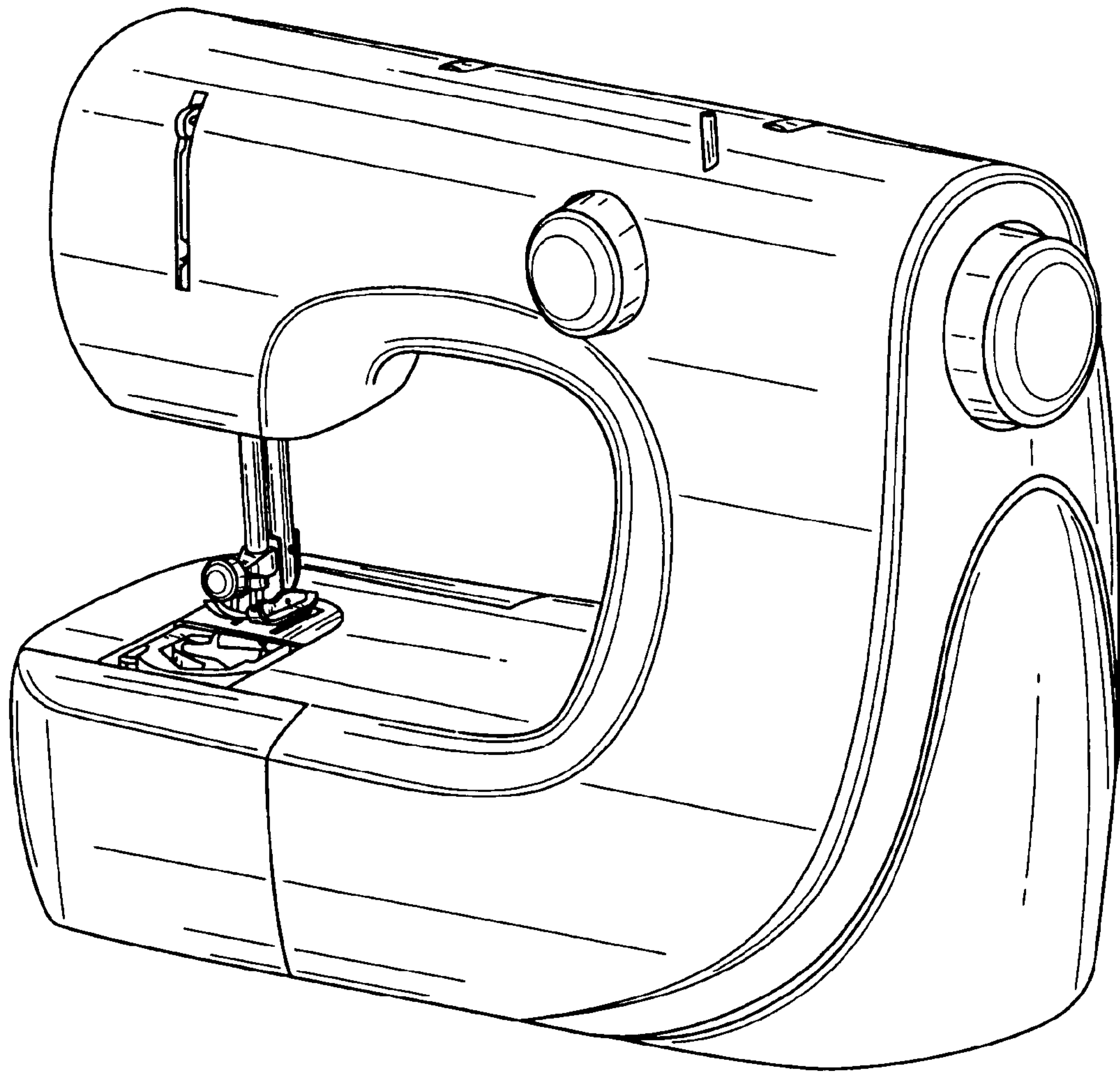


FIG. 7



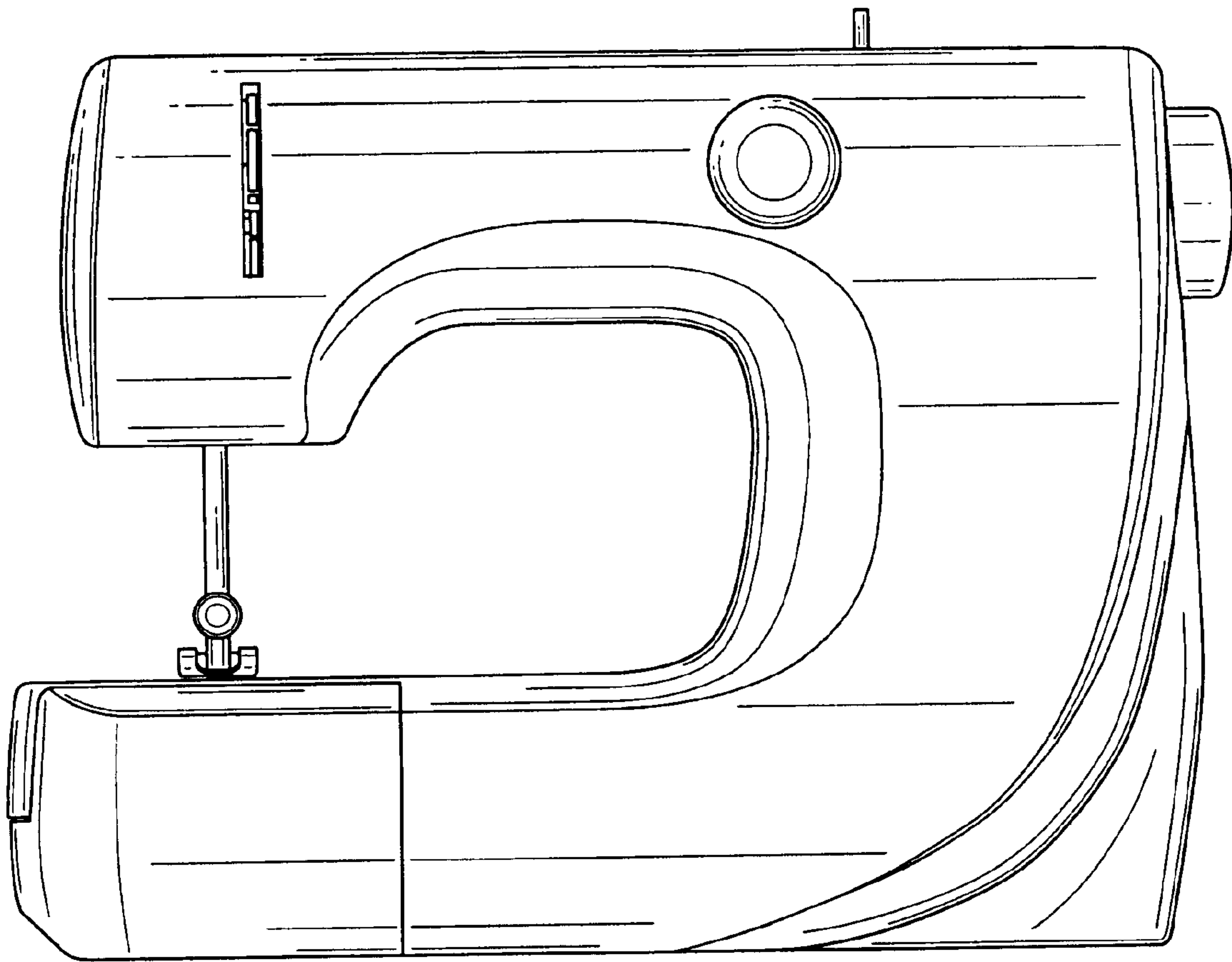


FIG. 8

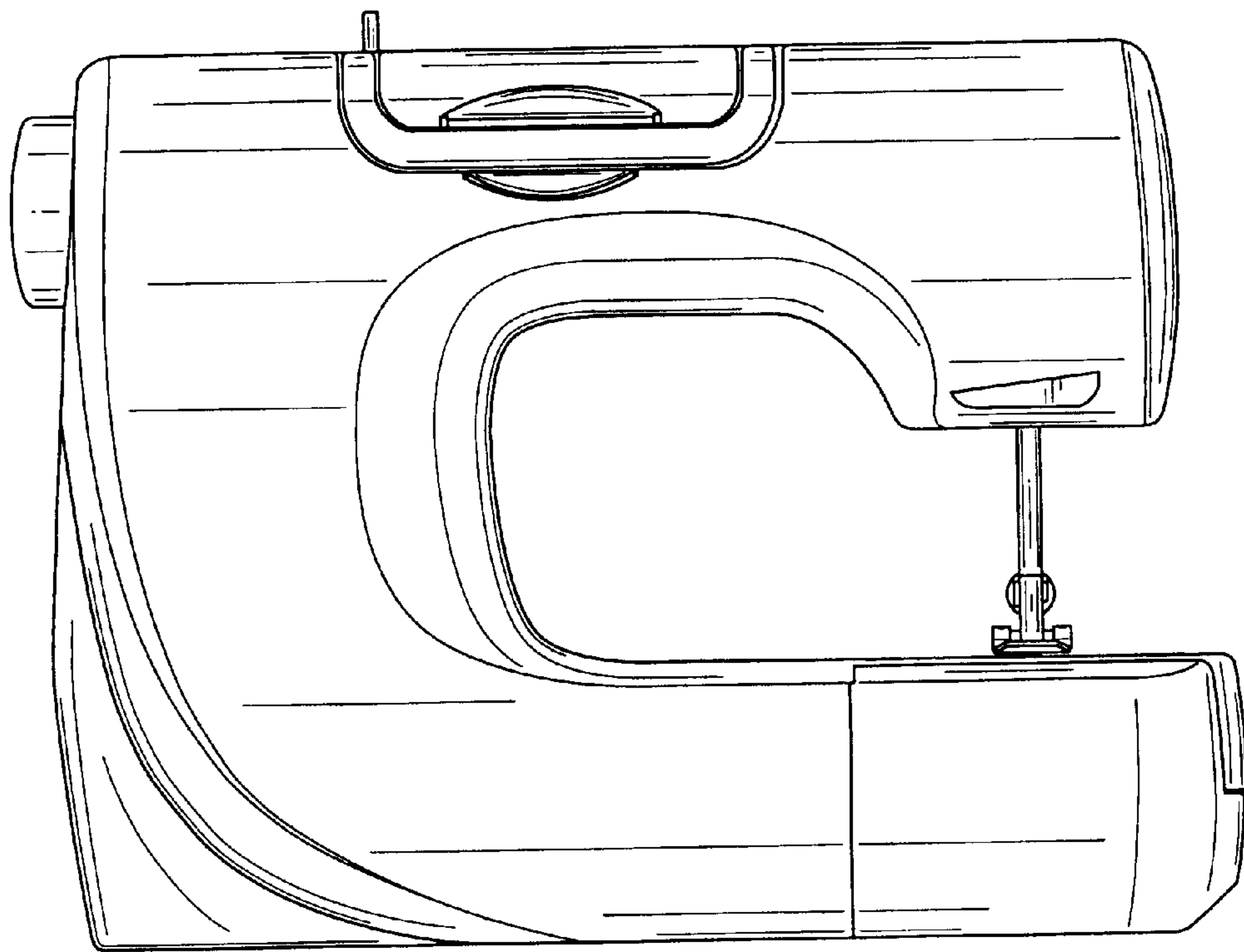


FIG. 9

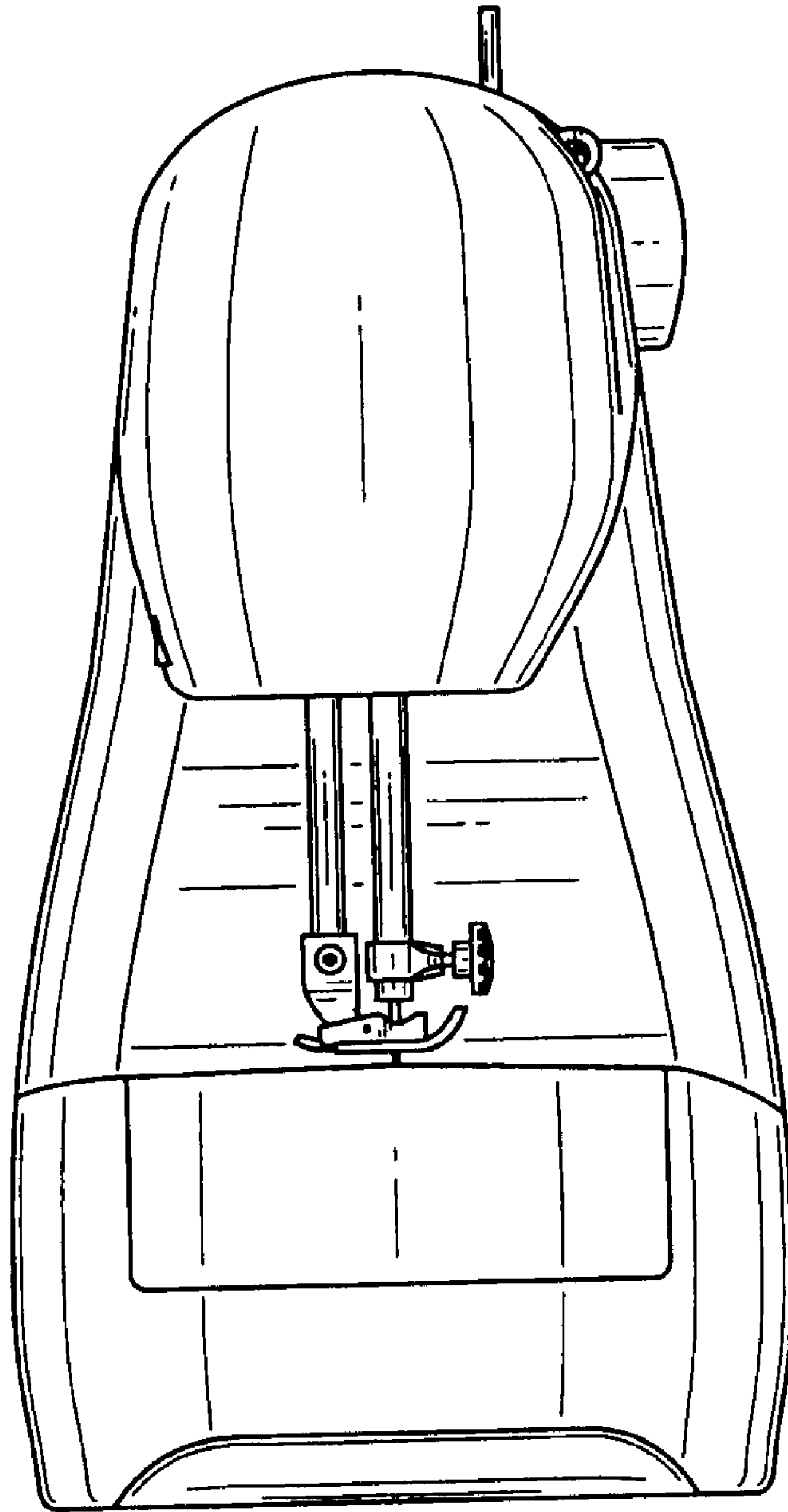


FIG. 10

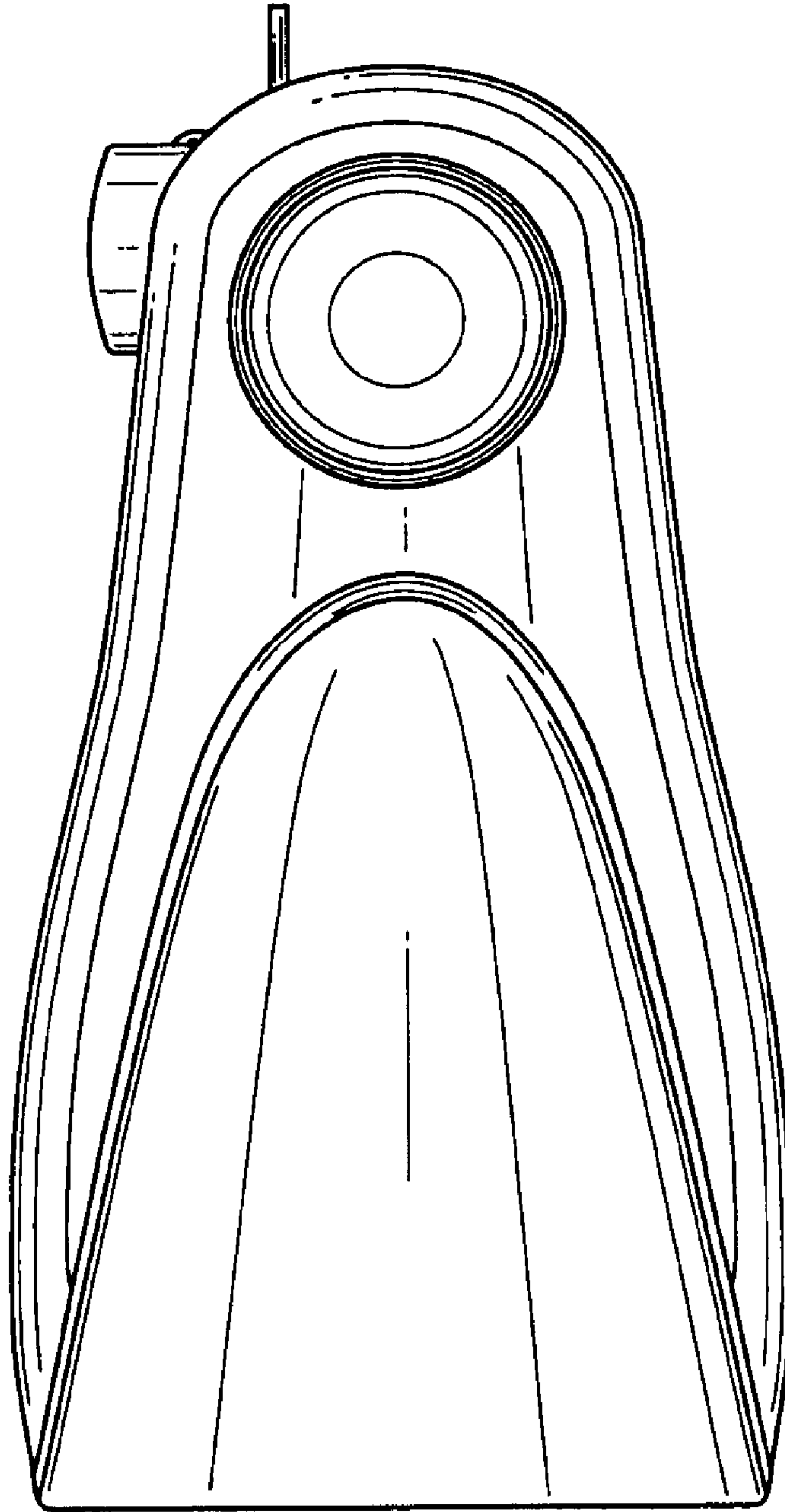


FIG. 11

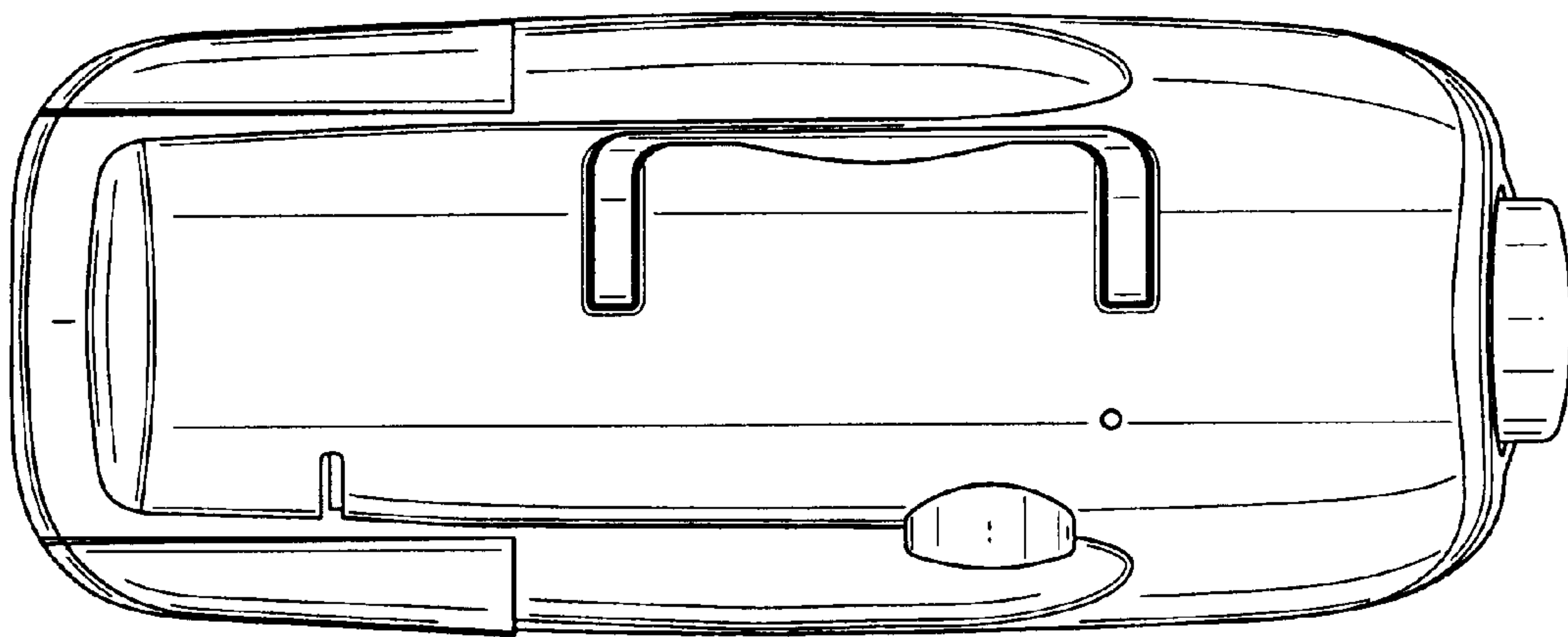


FIG. 12