



US00D527392S

(12) **United States Design Patent**
Misico

(10) **Patent No.:** **US D527,392 S**

(45) **Date of Patent:** **** Aug. 29, 2006**

(54) **PEANUT LIFTER**

(76) Inventor: **John J. Misico**, 4370 Pike St., Ubyly,
MI (US) 48475

(**) Term: **14 Years**

(21) Appl. No.: **29/226,724**

(22) Filed: **Apr. 1, 2005**

(51) **LOC (8) Cl.** **15-03**

(52) **U.S. Cl.** **D15/28**

(58) **Field of Classification Search** D15/10-12,
D15/28, 29, 32, 199; 56/1, 3, 5, 364, 327.2;
171/101-107, 83, 84, 50-62, 3, 27, 124,
171/139, 141, DIG. 1

See application file for complete search history.

(56) **References Cited**

U.S. PATENT DOCUMENTS

D35,191 S	*	10/1901	Fagan	D15/28
1,056,122 A	*	3/1913	Reber	56/192
2,349,262 A	*	5/1944	Good	460/128
2,669,820 A	*	2/1954	Falkner	171/44
2,684,619 A	*	7/1954	Klein	171/83
3,625,291 A	*	12/1971	Paulk et al.	171/101
3,726,345 A	*	4/1973	Harrell et al.	171/101
D281,325 S	*	11/1985	Nordland	D15/11
D311,744 S	*	10/1990	Misico	D15/28

D361,772 S	*	8/1995	Hulsey	D15/32
5,577,562 A	*	11/1996	Gresham	171/27
D451,930 S	*	12/2001	Burroughs et al.	D15/11
D505,431 S	*	5/2005	Sund	D15/29

* cited by examiner

Primary Examiner—Stella Reid

Assistant Examiner—Mark Goodwin

(74) *Attorney, Agent, or Firm*—John J. Swartz

(57) **CLAIM**

The ornamental design for a peanut lifter, as shown and described.

DESCRIPTION

FIG. 1 is a top plan view of a peanut lifter showing my new design;

FIG. 2 is a bottom view thereof;

FIG. 3 is a side elevational view taken from the right side of FIG. 1;

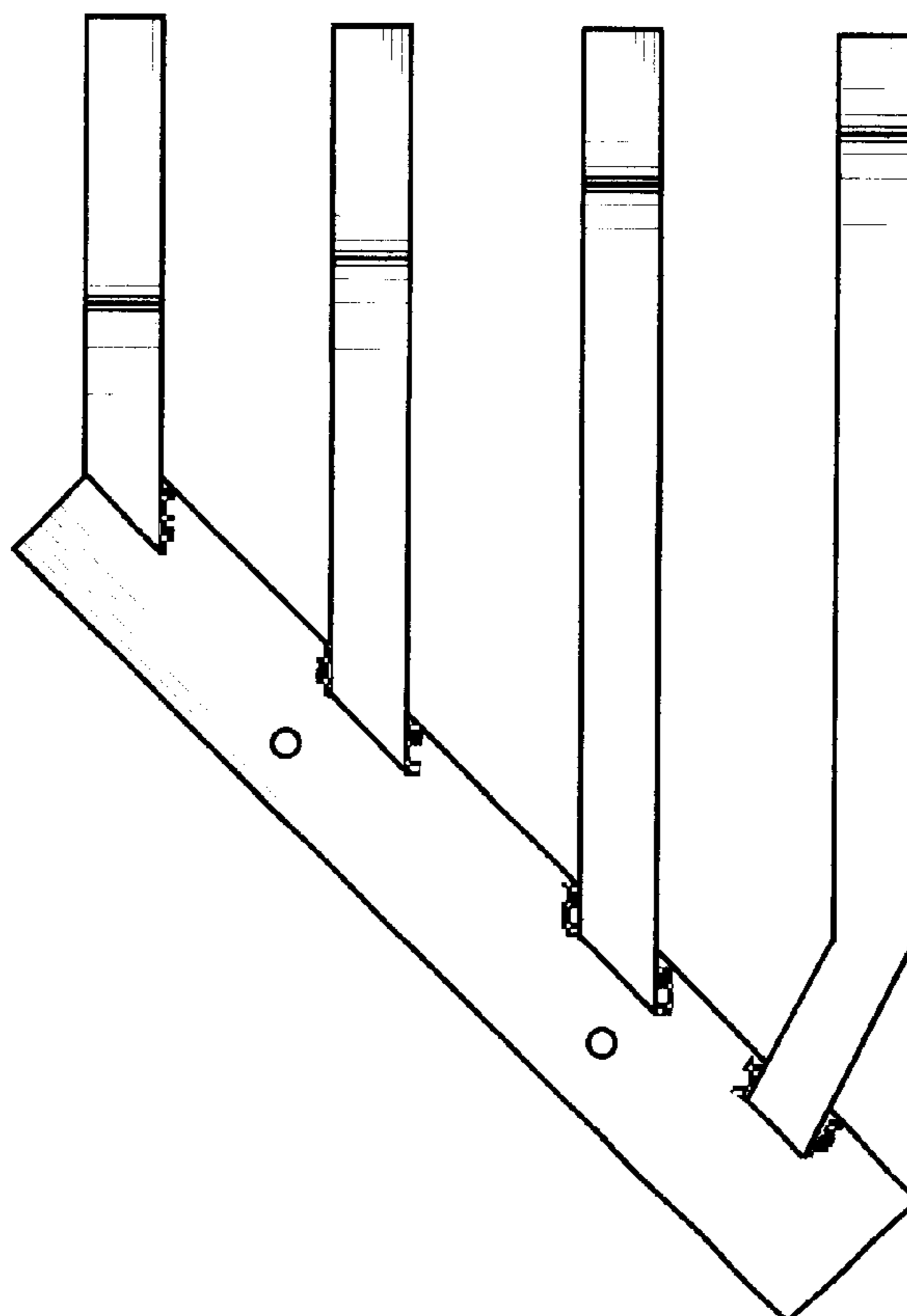
FIG. 4 is a perspective view taken from the left side of FIG. 2;

FIG. 5 is a front elevational view taken from the top of FIG. 1;

FIG. 6 is a rear perspective view taken from the bottom side of FIG. 1; and,

FIG. 7 is a top left side perspective view of FIG. 1.

1 Claim, 4 Drawing Sheets



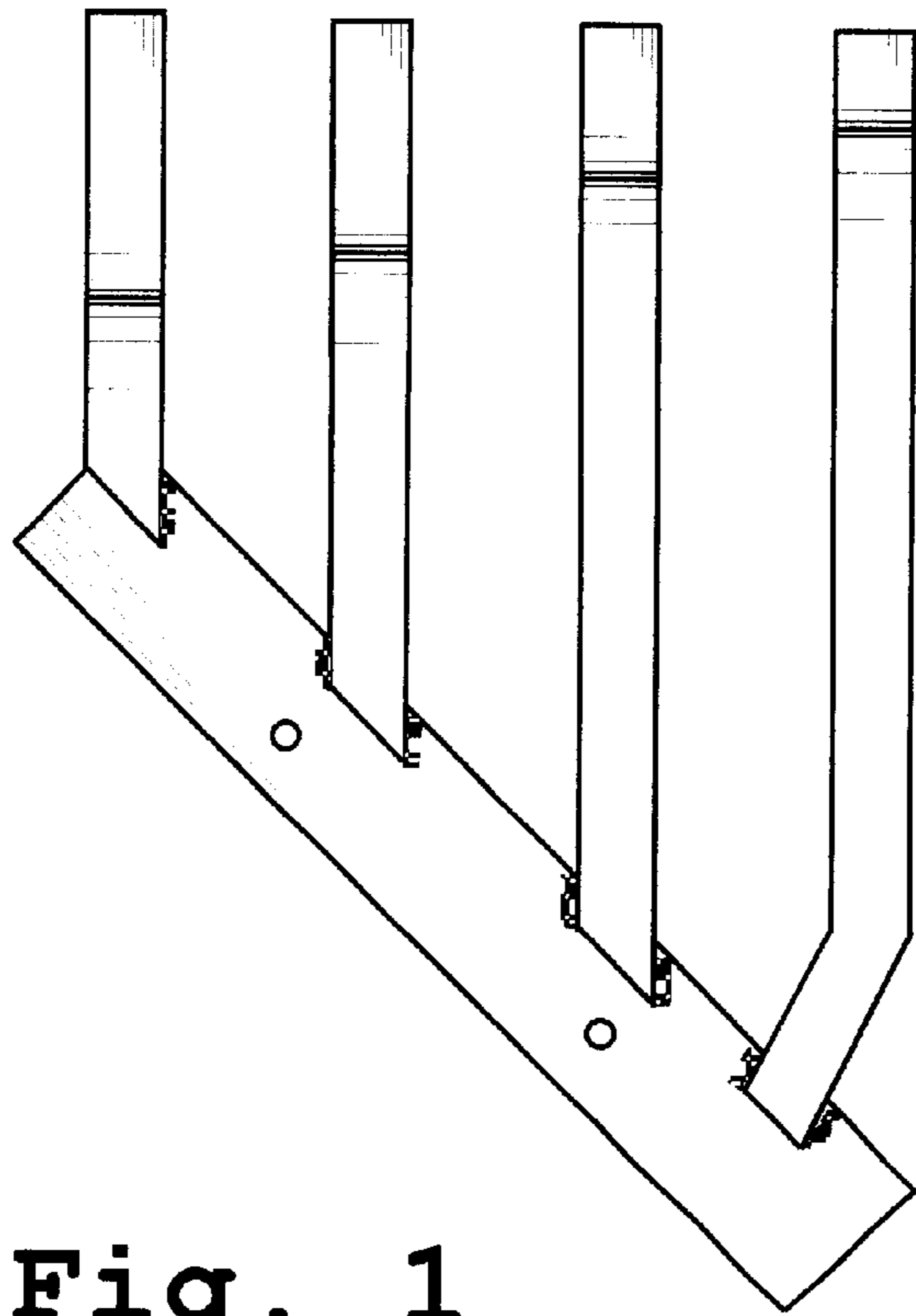


Fig. 1

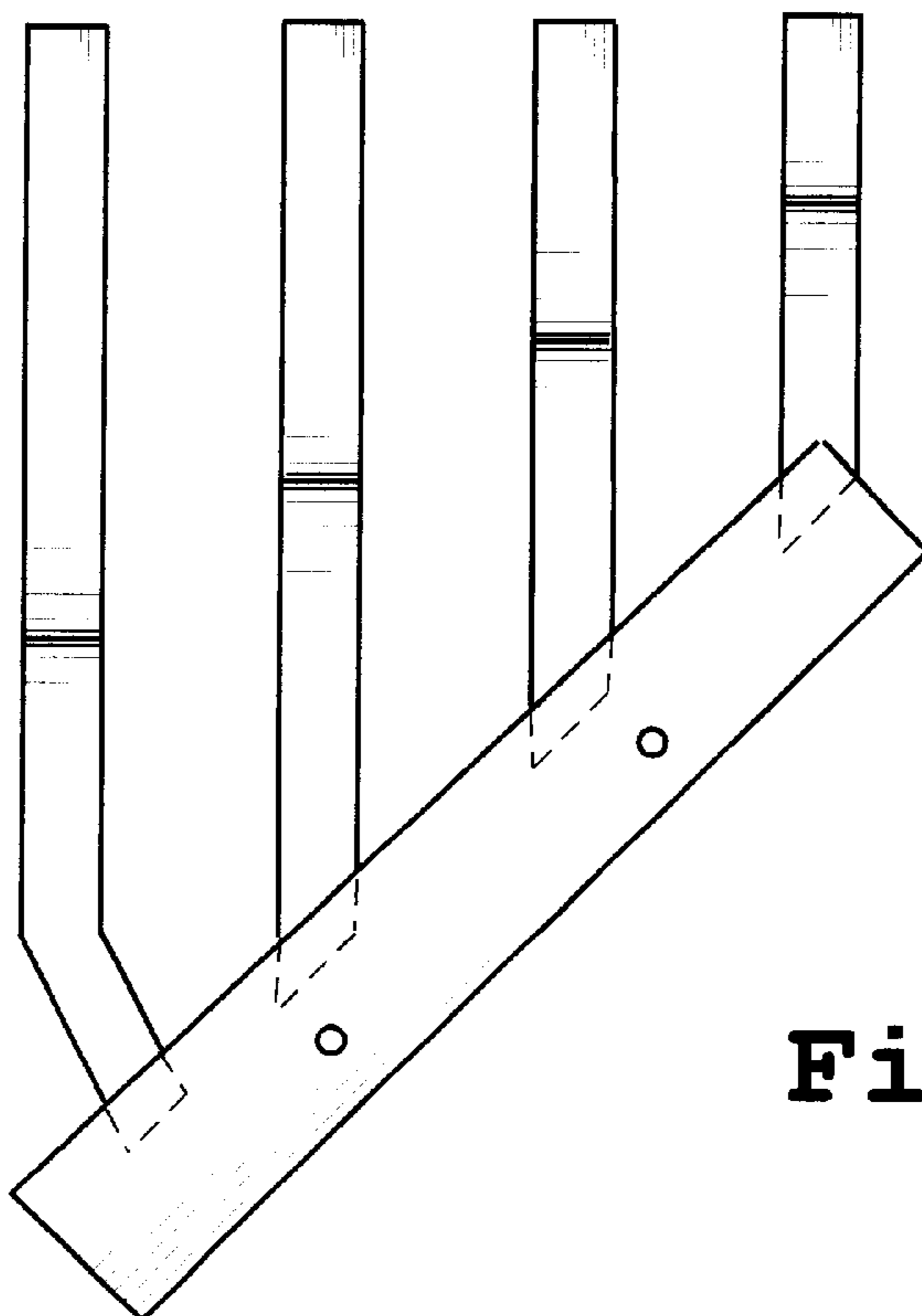


Fig. 2

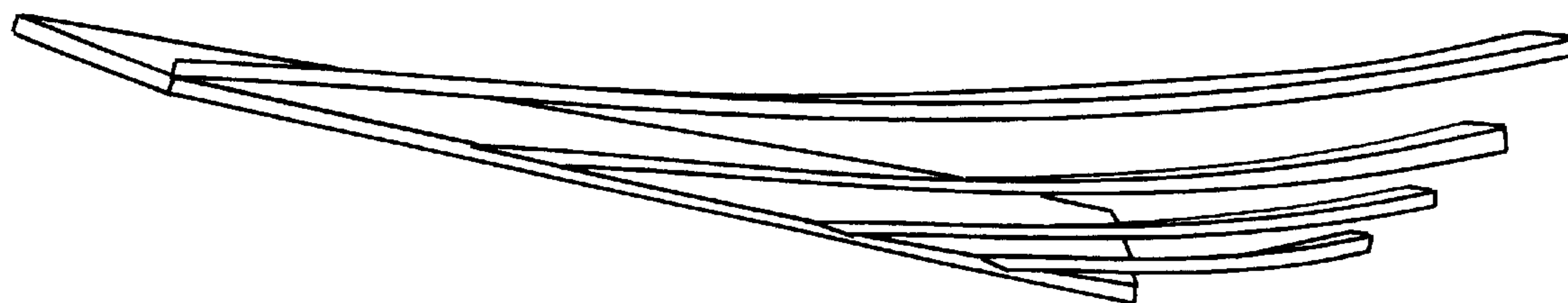


Fig. 3

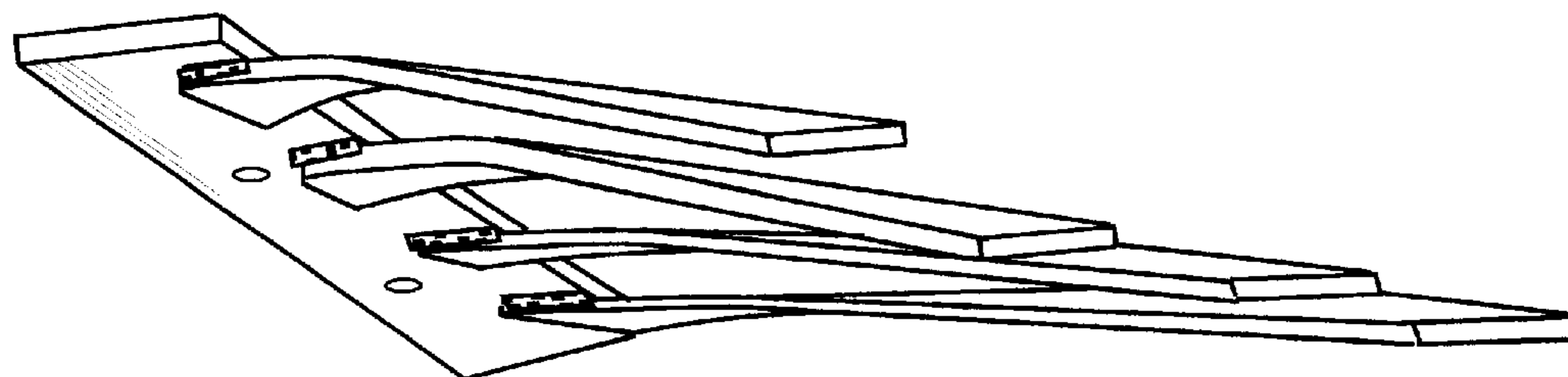


Fig. 4

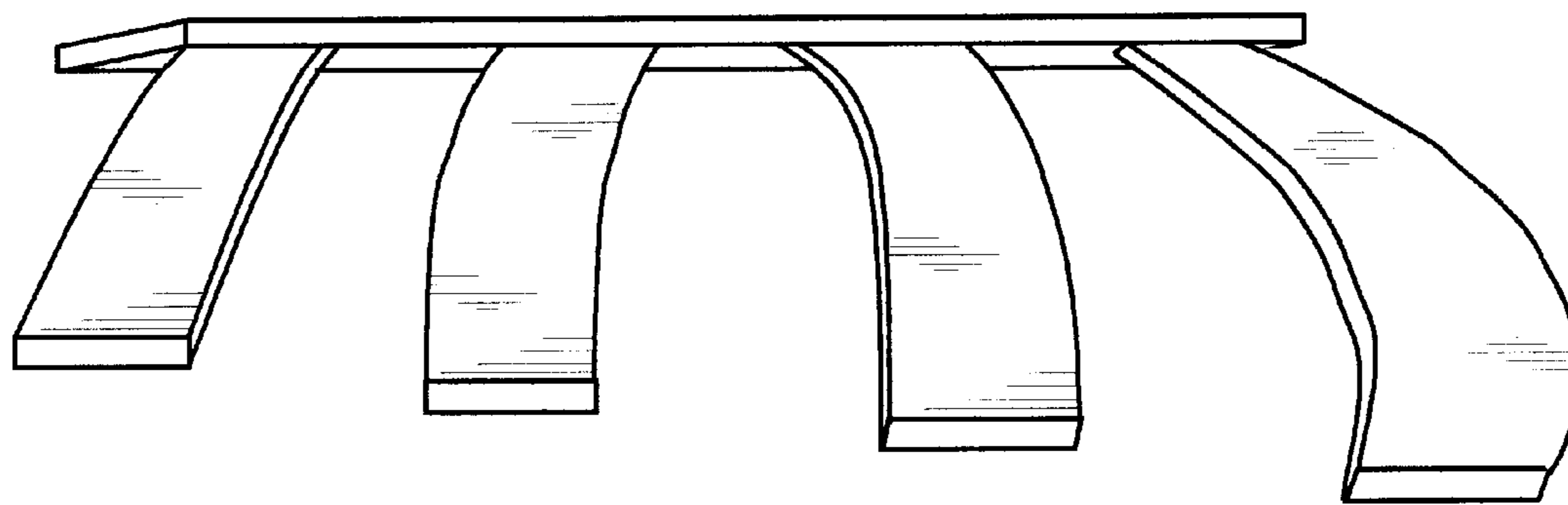


Fig. 5

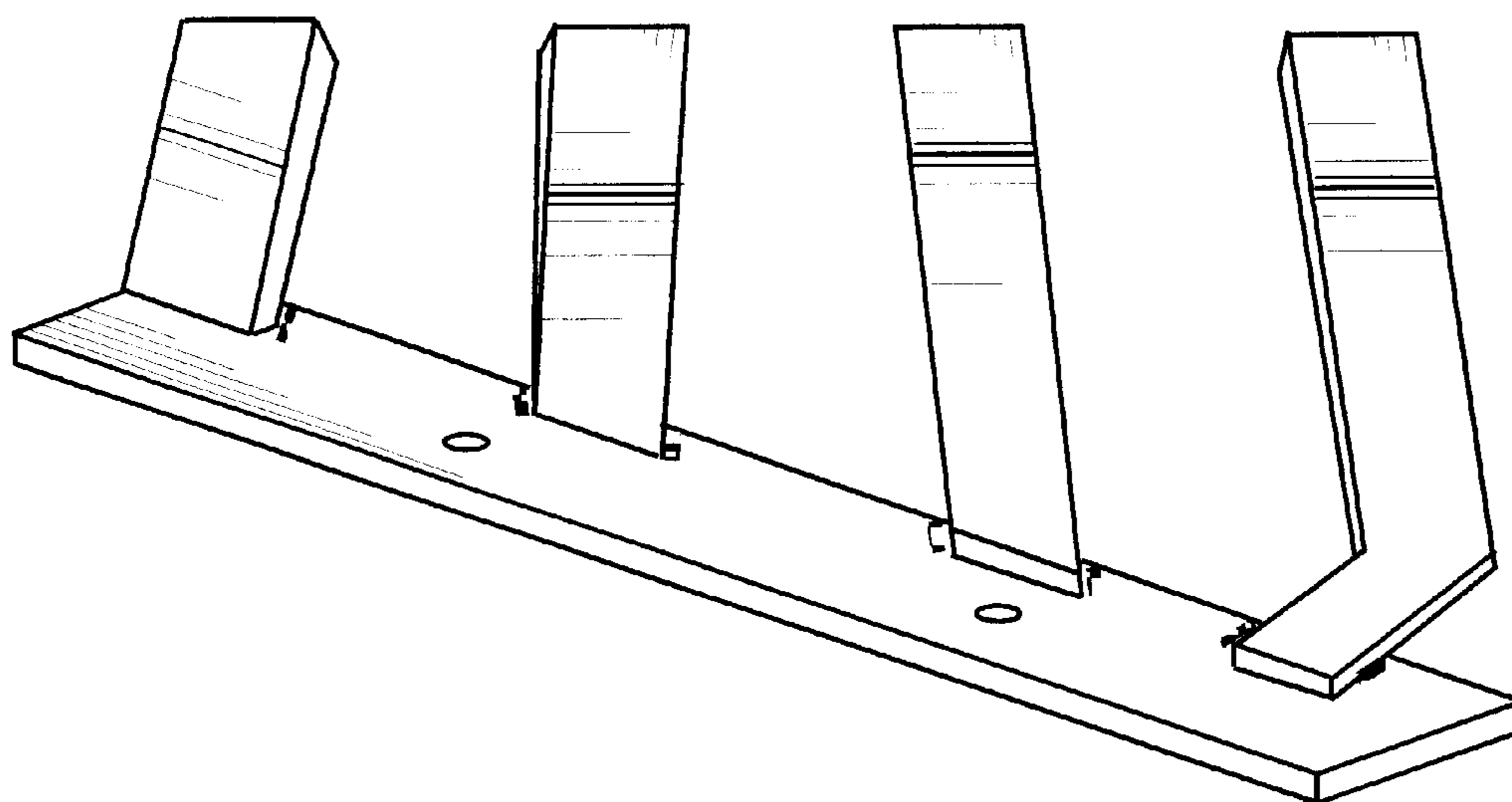


Fig. 6

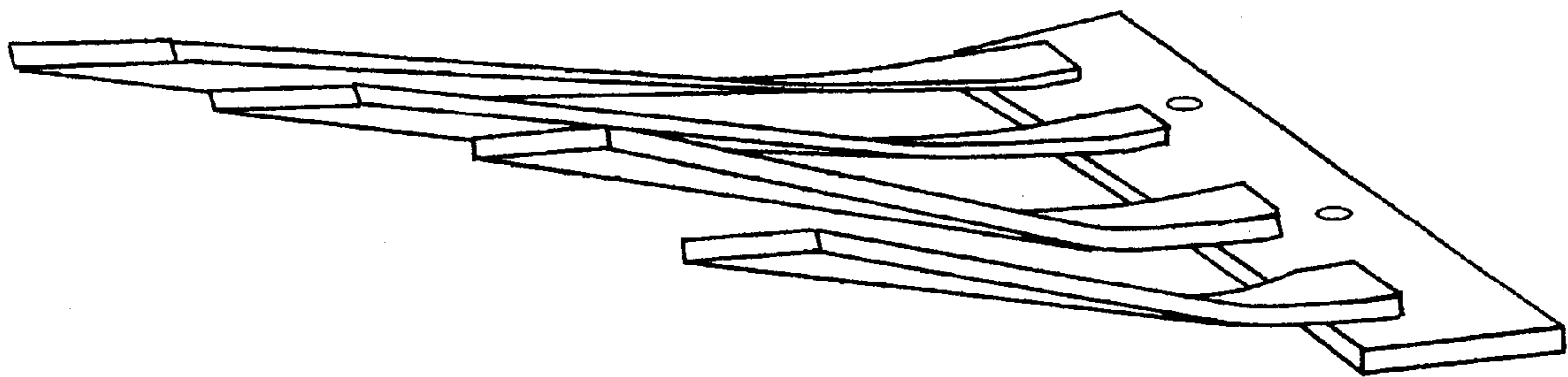


Fig. 7