



US00D527391S

(12) **United States Design Patent**
Coli

(10) **Patent No.:** **US D527,391 S**

(45) **Date of Patent:** **** Aug. 29, 2006**

(54) **CONCRETE DRUM PORTABLE MIXER**

D319,832 S	*	9/1991	Ross	D15/19
D421,613 S	*	3/2000	Shiotani	D15/19
D477,331 S	*	7/2003	Tsai	D15/19
D504,135 S	*	4/2005	Simpson et al.	D15/19

(75) Inventor: **Roberto Coli**, Certaldo (IT)

(73) Assignee: **Imer U.S.A., Inc.**, Hayward, CA (US)

(**) Term: **14 Years**

(21) Appl. No.: **29/214,977**

(22) Filed: **Oct. 12, 2004**

(51) **LOC (8) Cl.** **15-03**

(52) **U.S. Cl.** **D15/19**

(58) **Field of Classification Search** D15/10,
D15/19, 147; 366/1, 28, 48, 47, 57, 60, 63,
366/185, 228, 232, 233, 53, 54, 62, 44
See application file for complete search history.

(56) **References Cited**

U.S. PATENT DOCUMENTS

2,478,408 A	*	8/1949	Lightburn	366/48
D237,901 S	*	12/1975	Moran	D15/19
4,223,997 A	*	9/1980	Violet et al.	366/47
D260,150 S	*	8/1981	Palmer	D15/19
4,491,415 A	*	1/1985	Bishop	366/47
4,634,284 A	*	1/1987	Bishop	366/47

* cited by examiner

Primary Examiner—Stella Reid

Assistant Examiner—Mark Goodwin

(74) *Attorney, Agent, or Firm*—McGlew & Tuttle, P.C.

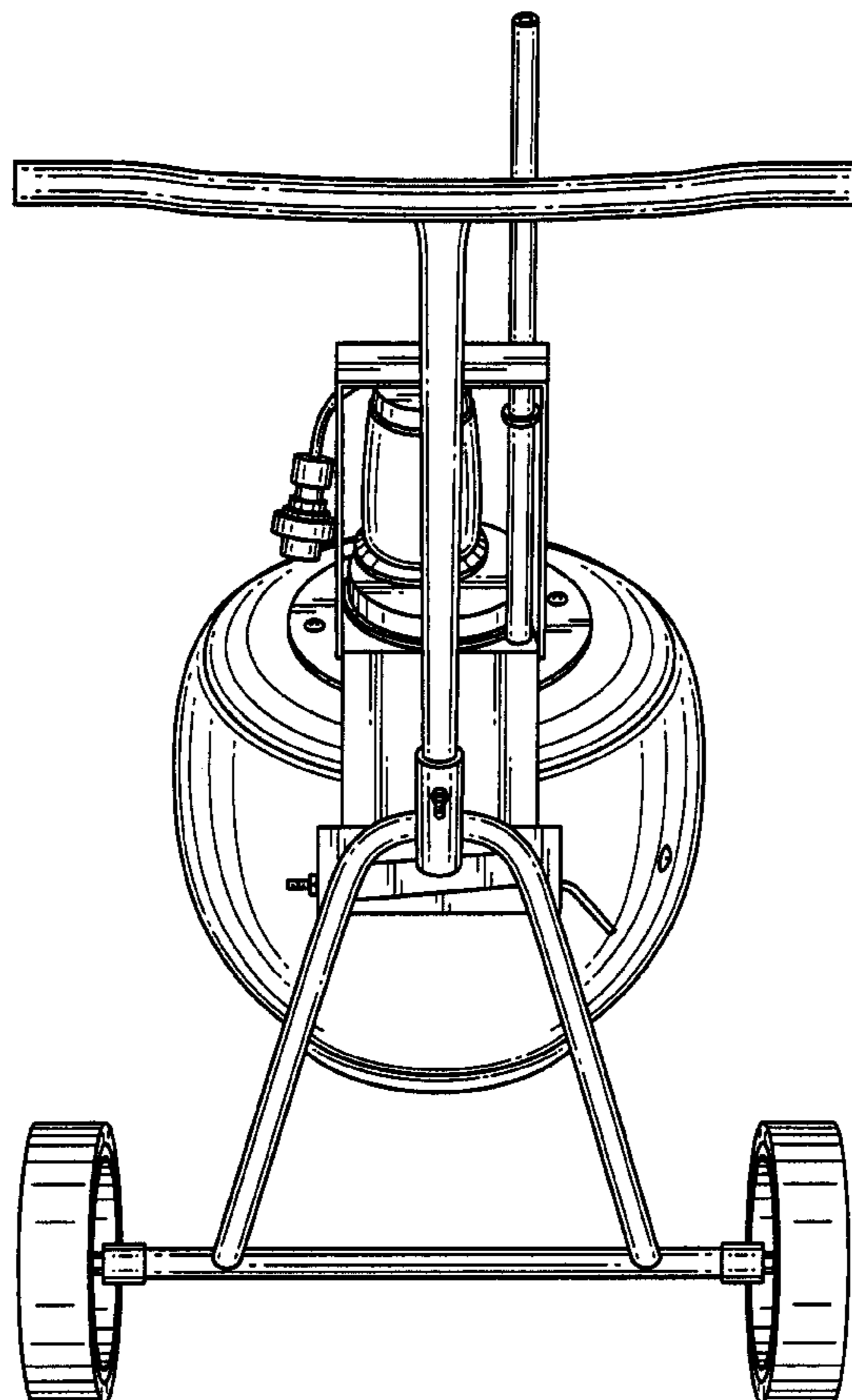
(57) **CLAIM**

The ornamental design for a concrete drum portable mixer, as shown and described.

DESCRIPTION

FIG. 1 is a bottom view of the concrete drum portable mixer showing my new design;
FIG. 2 is a top view thereof;
FIG. 3 is a front view thereof;
FIG. 4 is a rear view thereof;
FIG. 5 is a front perspective view thereof;
FIG. 6 is a rear perspective view thereof;
FIG. 7 is a right side view thereof; and,
FIG. 8 is a left side view thereof.

1 Claim, 8 Drawing Sheets



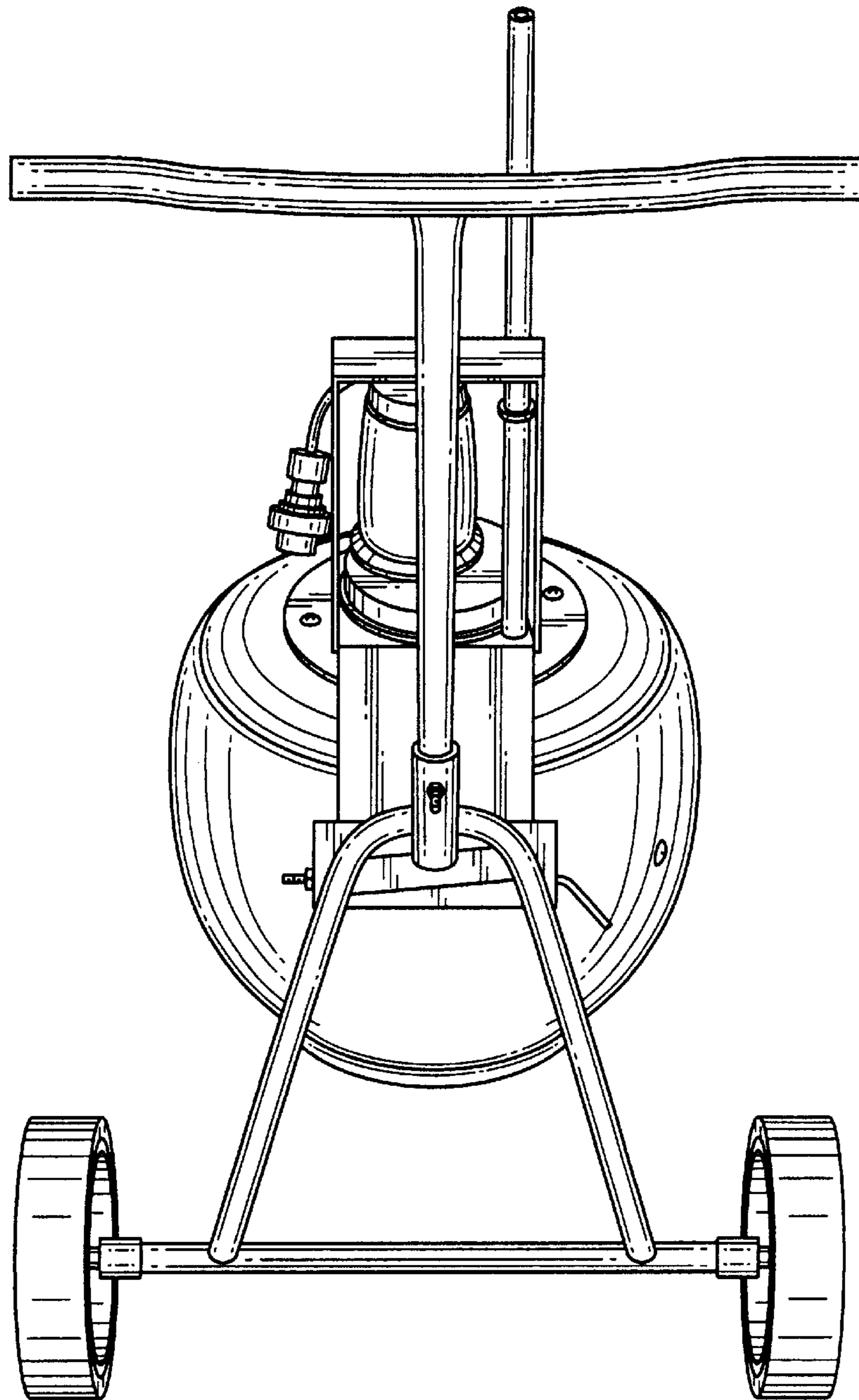


FIG. 1

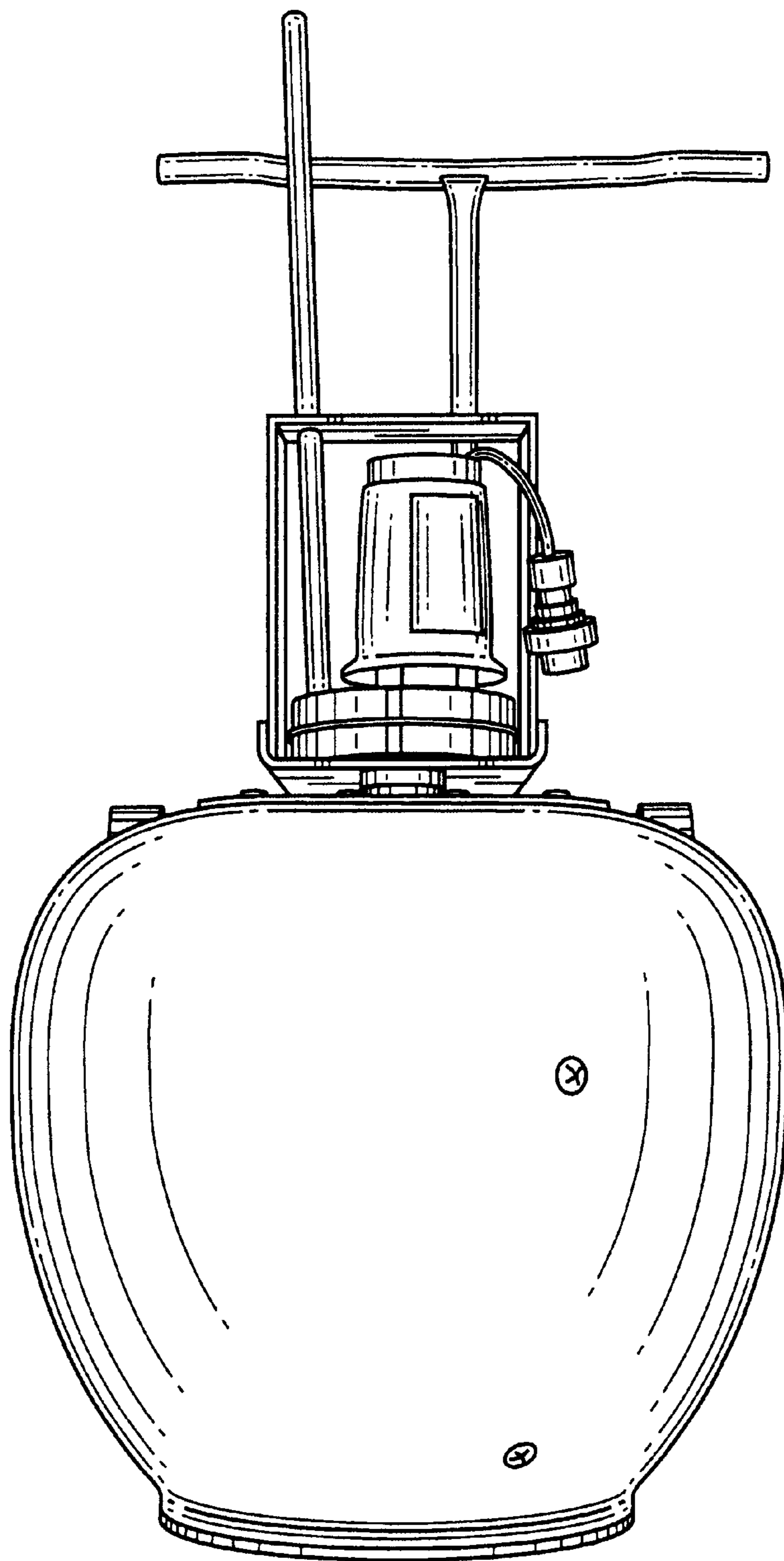


FIG. 2

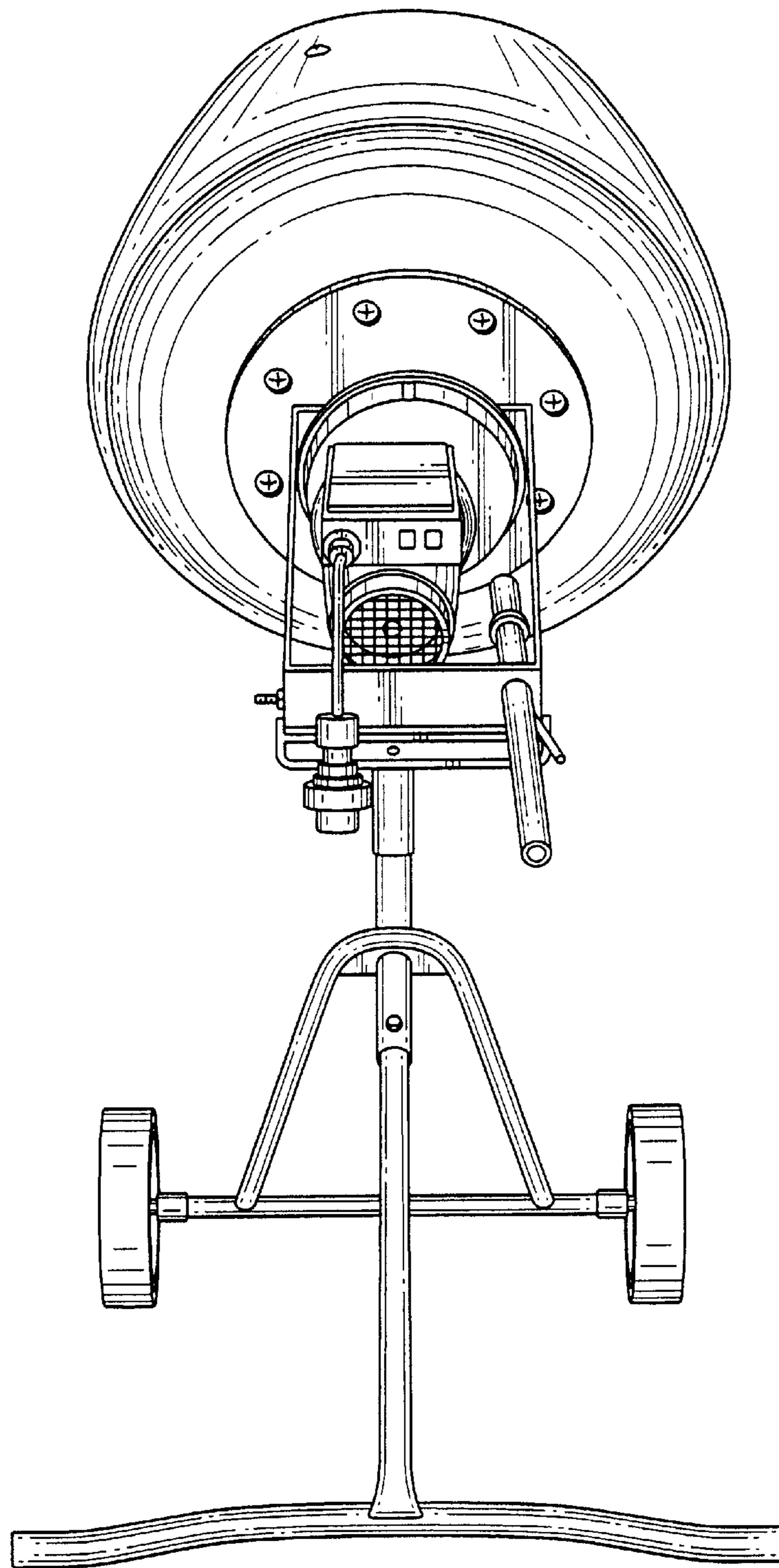


FIG. 3

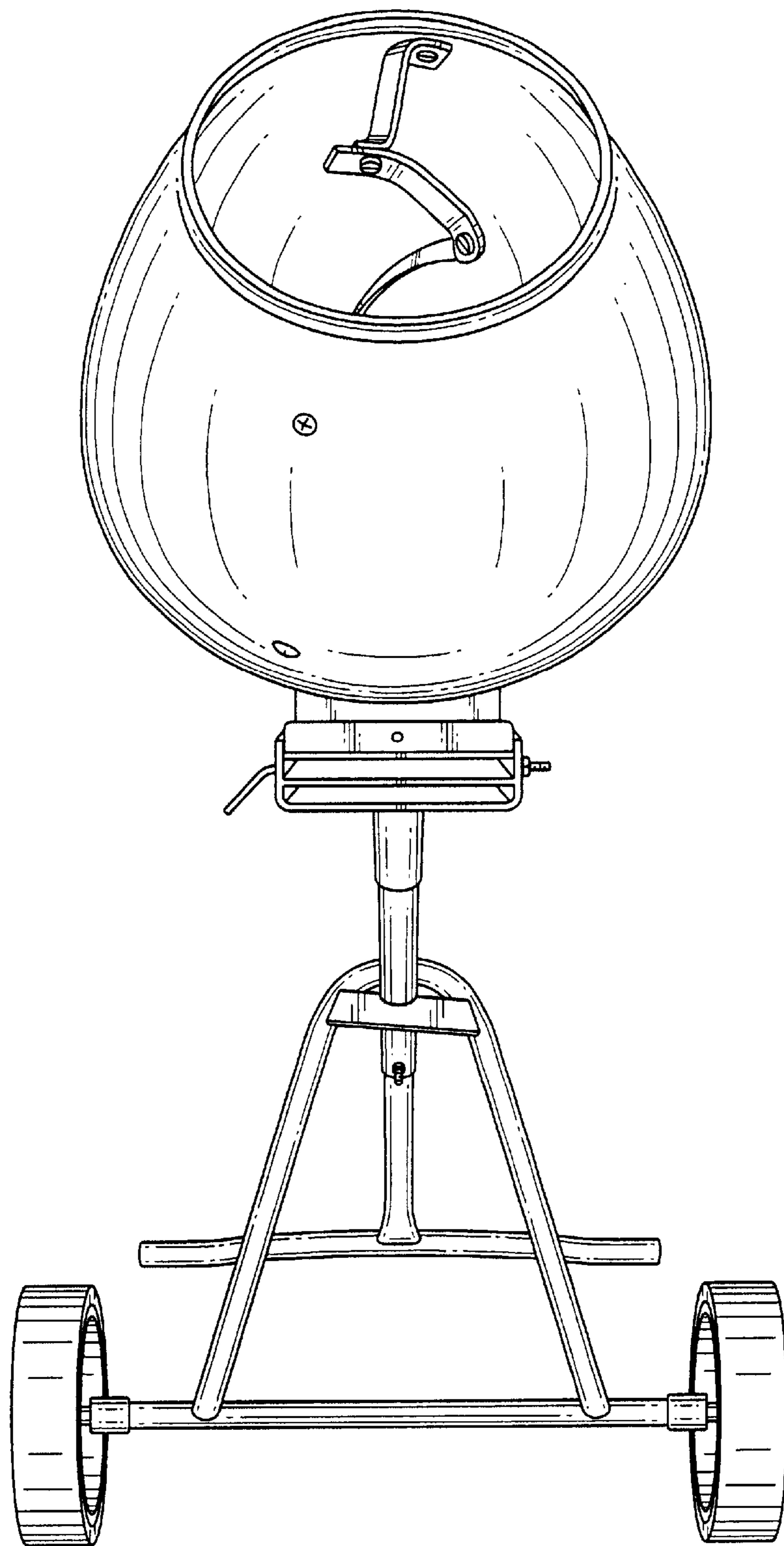


FIG. 4

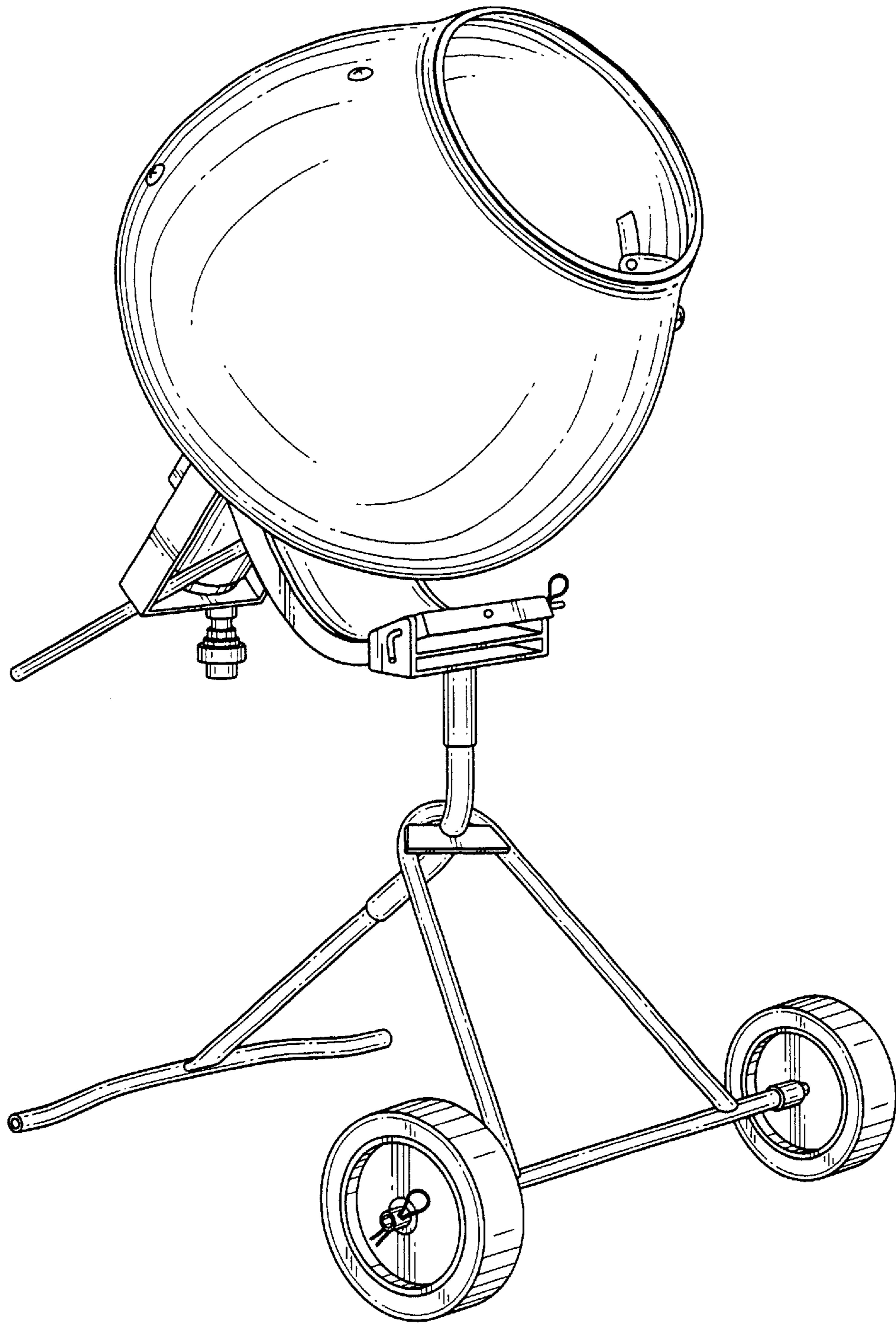


FIG. 5

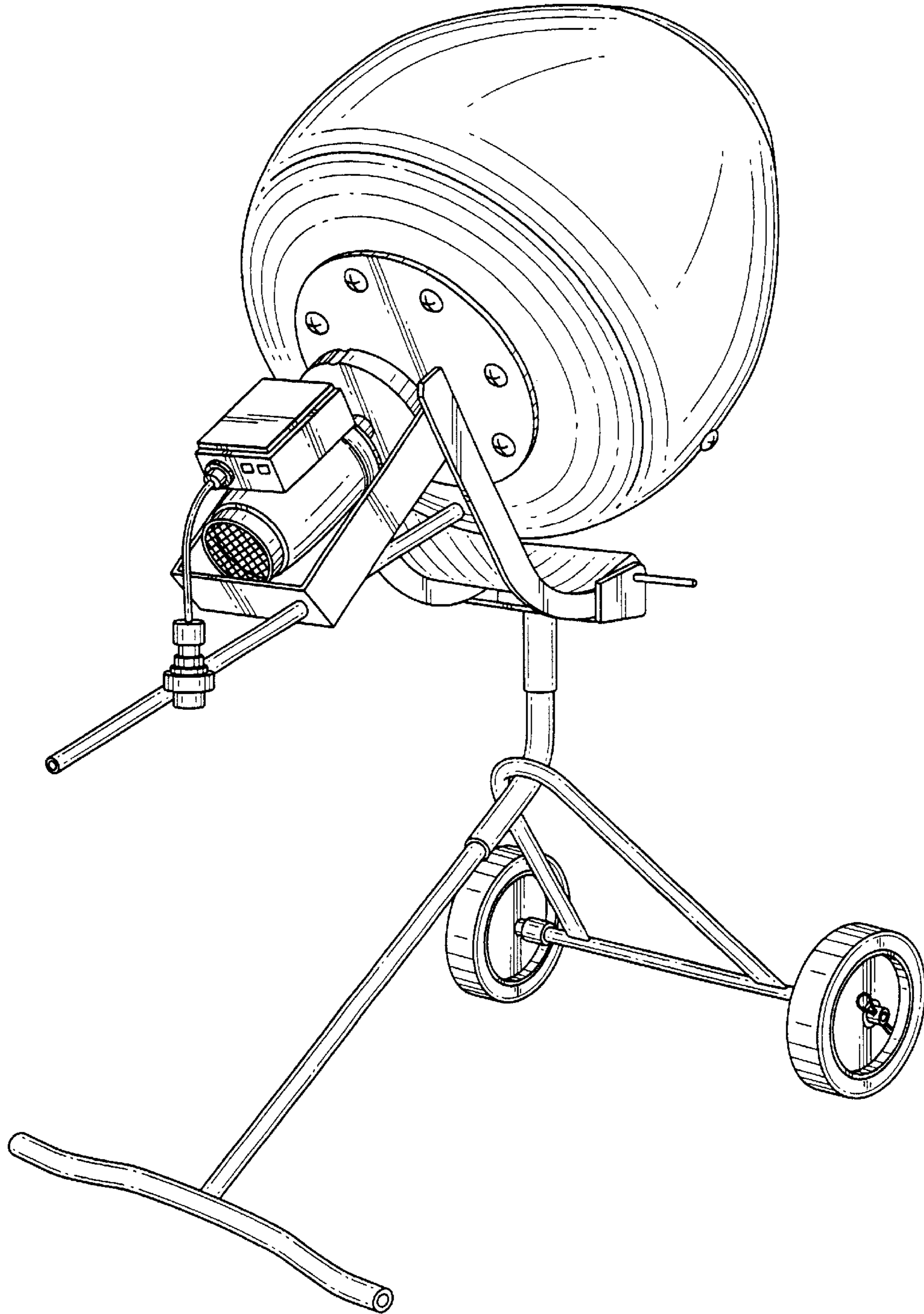


FIG. 6

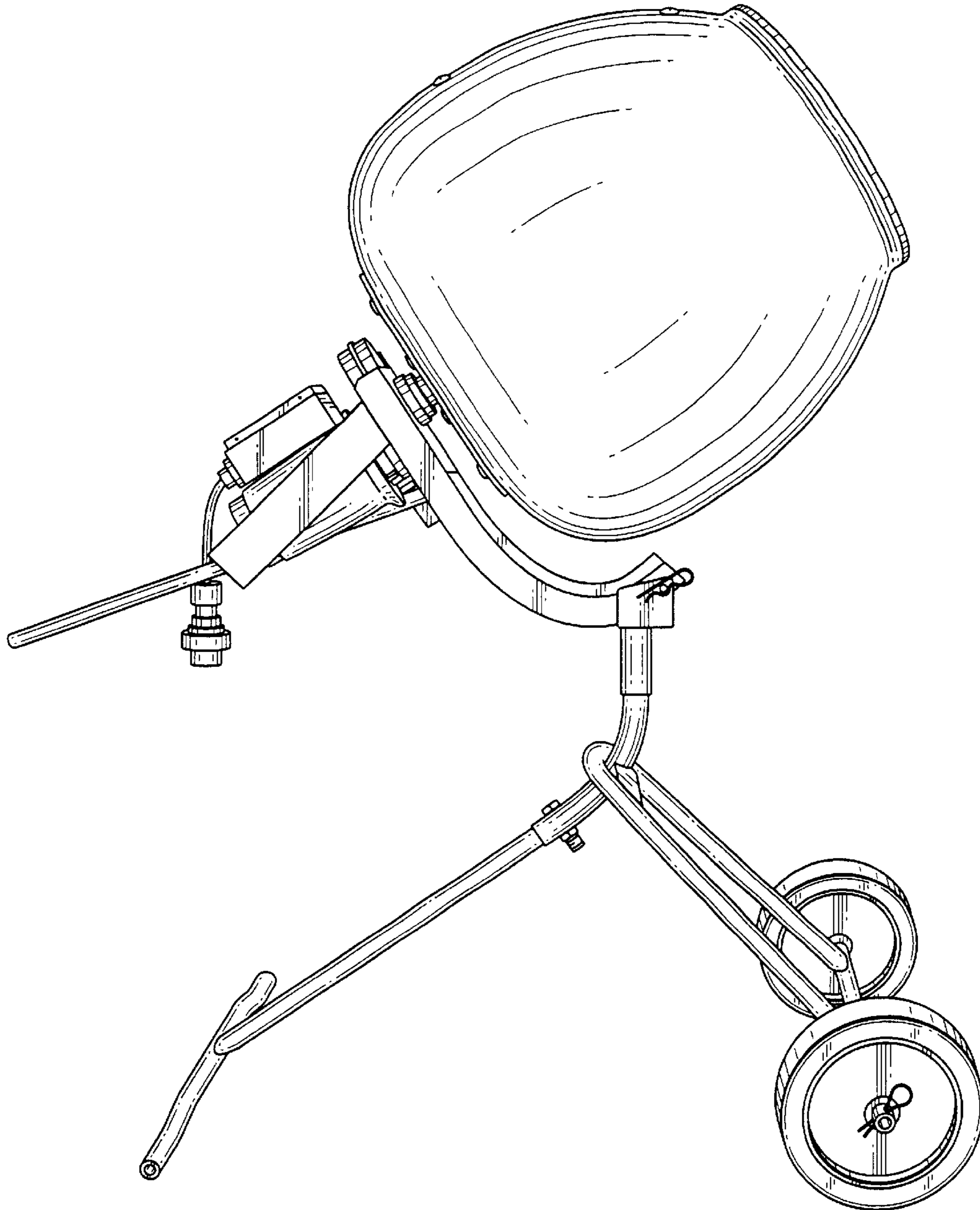


FIG. 7

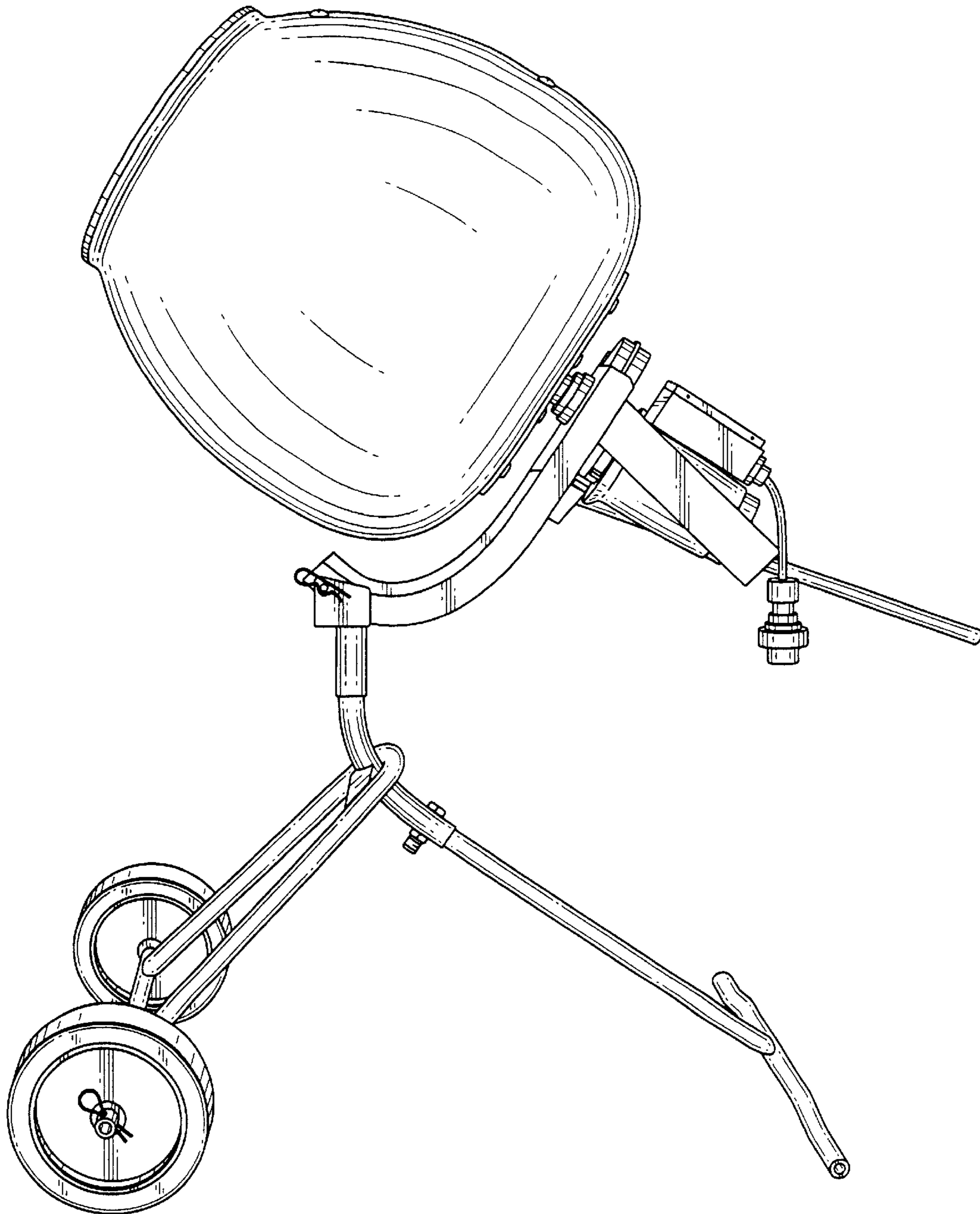


FIG. 8