



US00D527390S

(12) **United States Design Patent**
Millar et al.

(10) **Patent No.:** **US D527,390 S**

(45) **Date of Patent:** **** Aug. 29, 2006**

(54) **HOUSING FOR ELECTRONIC DEVICE**

(75) Inventors: **Greg Max Millar**, Coarsegold, CA (US); **Raul Cortes**, Clovis, CA (US); **Richard Todd Boswell**, Fresno, CA (US)

(73) Assignee: **Pelco**, Clovis, CA (US)

(**) Term: **14 Years**

(21) Appl. No.: **29/227,021**

(22) Filed: **Apr. 5, 2005**

(51) **LOC (8) Cl.** **14-03**

(52) **U.S. Cl.** **D14/496; D13/184**

(58) **Field of Classification Search** D13/160, D13/162, 164; D14/356, 496, 155, 135, 136, D14/240, 265; 312/223.2; 345/156, 157, 345/530, 903, 905; 360/99.02, 99.07; 361/600, 361/679, 686-690, 724-730, 752, 796, 797; 369/75.11, 75.21, 77.11, 77.21; 455/347; 709/253; 725/37, 39, 135, 139, 141; 720/600, 720/612, 619, 646, 647, 655
See application file for complete search history.

(56) **References Cited**

U.S. PATENT DOCUMENTS

D353,800 S	*	12/1994	Lewis et al.	D13/184
D367,042 S	*	2/1996	Morrow et al.	D13/184
5,852,594 A	*	12/1998	Kaise et al.	720/647
D404,017 S	*	1/1999	Grimm et al.	D13/184
6,041,361 A	*	3/2000	Wilson et al.	709/253
6,522,547 B1	*	2/2003	Diaz et al.	361/724
6,628,512 B1	*	9/2003	Searby et al.	361/683
D482,369 S	*	11/2003	Matuschek	D14/496
D487,732 S	*	3/2004	Isshiki	D14/136
6,705,688 B1	*	3/2004	Tobishima	312/223.1

6,771,876 B1	*	8/2004	Morishima et al.	386/46
6,925,246 B1	*	8/2005	Behl	386/46
2005/0122702 A1	*	6/2005	Chen et al.	361/797

OTHER PUBLICATIONS

Product Specification: "DX7000 Series Digital Video Recorder, 8/16 Camera Inputs, 30-480 GB Hard Drive", Pelco DataFax, Spec: 2682, Rev. 8-02; p. 475-476, Date not supplied.

Product Specification: "DX2000 Series Digital Video Recorder, 8/16 Camera Inputs, 80-640 GB Hard Space", Pelco DataFax, Spec: 2690, Rev. 9-02; p. 471-472, Date not supplied.

Product Specification: "DX9000 Series Digital Video Recorder, Unlimited Camera Inputs, Unlimited Storage", Pelco DataFax, Spec: 2683, Rev. 9-02; p. 479-480, Date not supplied.

(Continued)

Primary Examiner—Selina Sikder

(74) Attorney, Agent, or Firm—Gunster, Yoakley & Stewart, P.A.

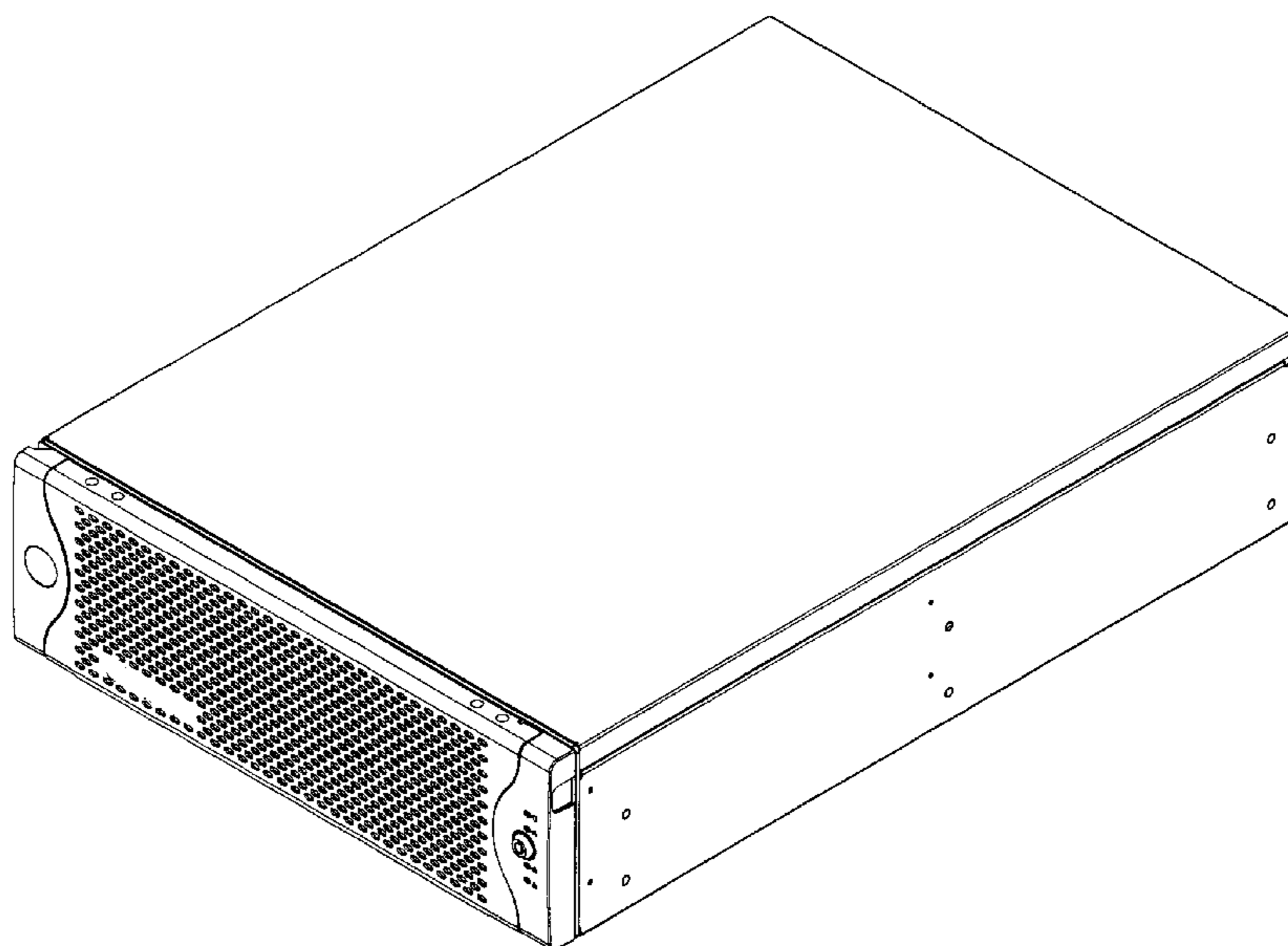
(57) **CLAIM**

The ornamental design for a housing for electronic device, as shown.

DESCRIPTION

FIG. 1 is a perspective upper front, left side view thereof; FIG. 2 is a front view thereof; FIG. 3 is a left side view thereof; FIG. 4 is a right side view thereof; FIG. 5 is a top view thereof; FIG. 6 is a bottom view thereof; and, FIG. 7 is a back view thereof.

1 Claim, 7 Drawing Sheets



OTHER PUBLICATIONS

Product Specification: “*DX3100 Series Digital Video Recorder, 8/16 Camera Inputs, 60/120/240 GB Hard Drive*”, Pelco DataFax, Spec: 2695, Rev. 9-03; p. 497-498, Date not supplied.

Product Specification: “*DX7100 Series Digital Video Recorder, 8/16 Camera Inputs, 120-480 GB Hard Drive*”, Pelco DataFax, Spec: 2641, Rev. 11-03; p. 499-503, Date not supplied.

Product Specification: “*DX8000 Series Digital Video Recorder, 8/16 Camera Inputs, 80 GB-1 TB Storage,*

Advanced Search Capabilities”, Pelco DataFax, Spec: 2623, Rev. 12-03; p. 503-506, Date not supplied.

Product Specification: “*DX9100 Series Digital Video Recorder, 16 Camera Inputs, 500-1500 GB Hard Drive*”, Pelco DataFax, Spec: 2636, Rev. 1-04; p. 507-508, Date not supplied.

Product Specification: “*DX9200 Series Digital Video Recorder, Unlimited Camera Inputs, Unlimited Storage*”, Pelco DataFax, Spec: 2634, Rev. 10-03; p. 509-512, Date not supplied.

* cited by examiner

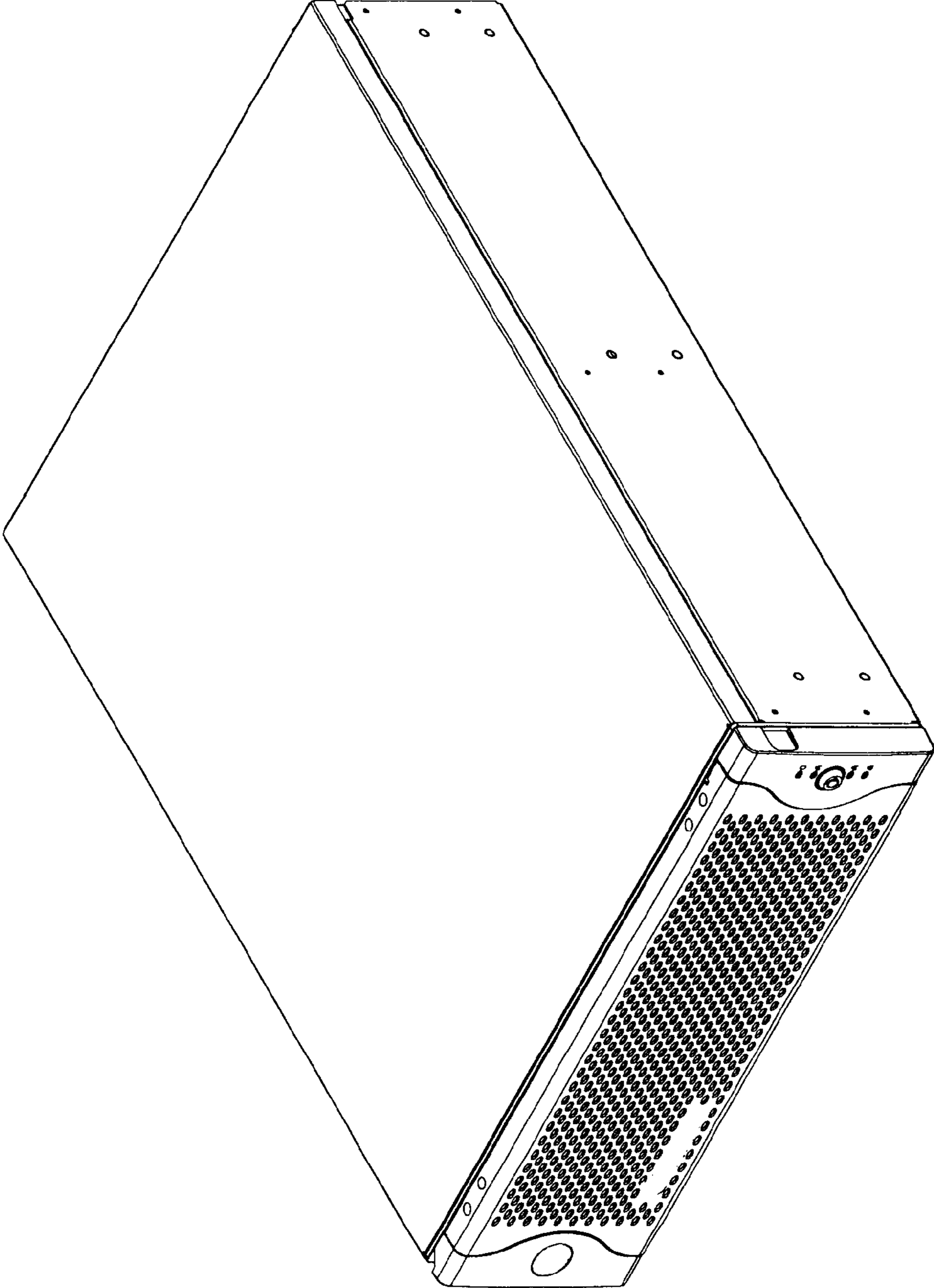


FIG. 1

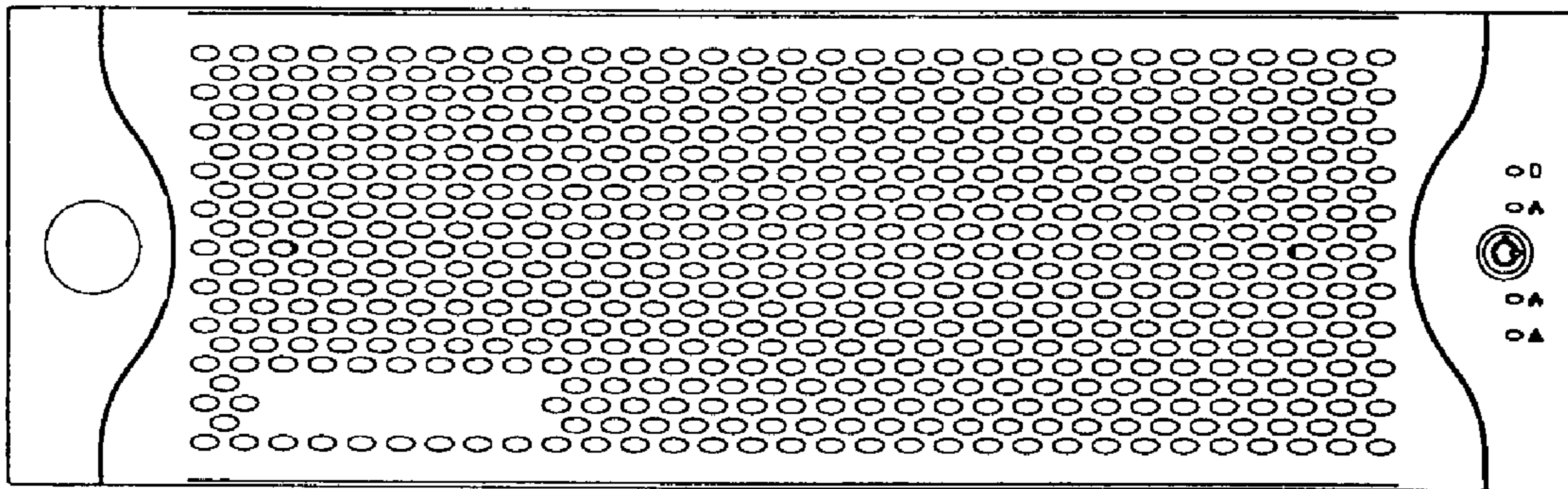


FIG. 2

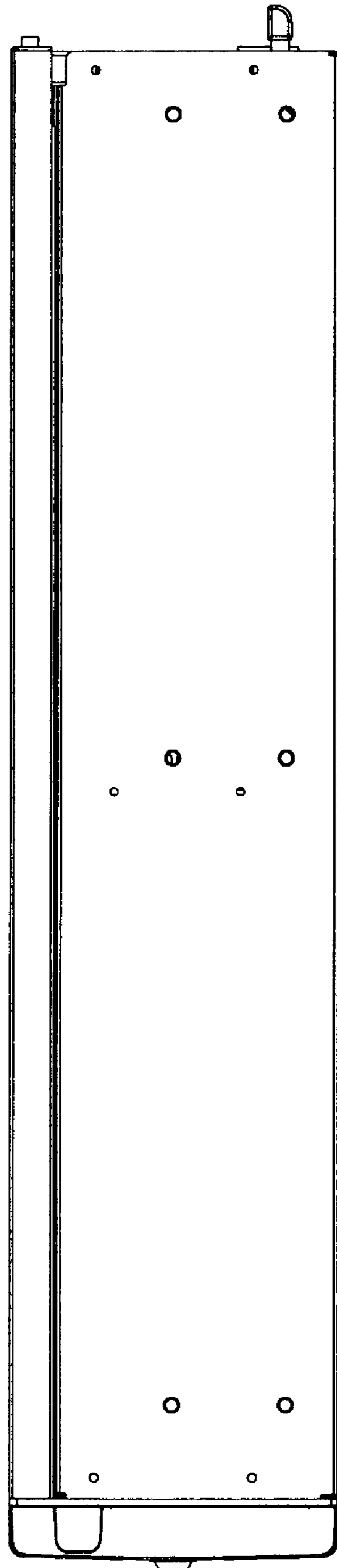


FIG. 3

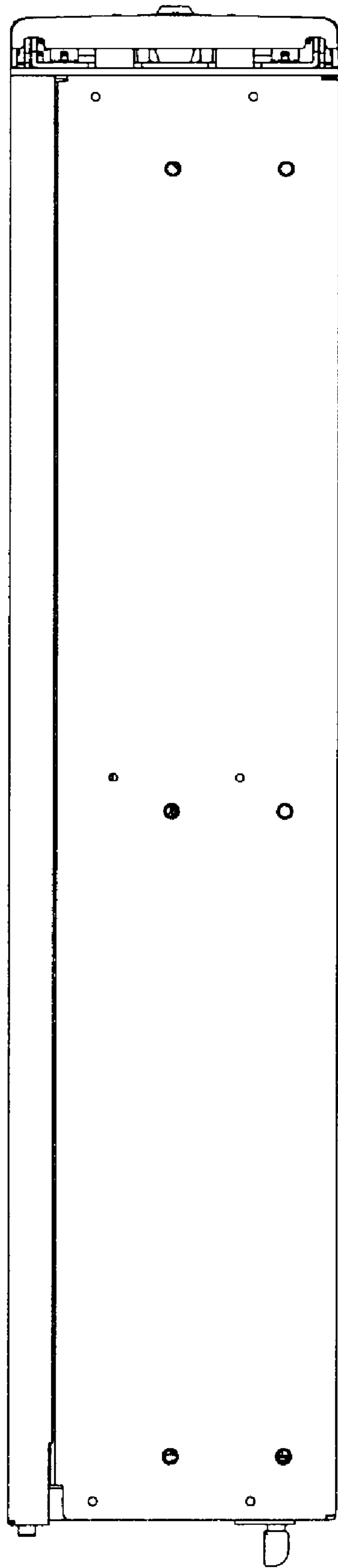


FIG. 4

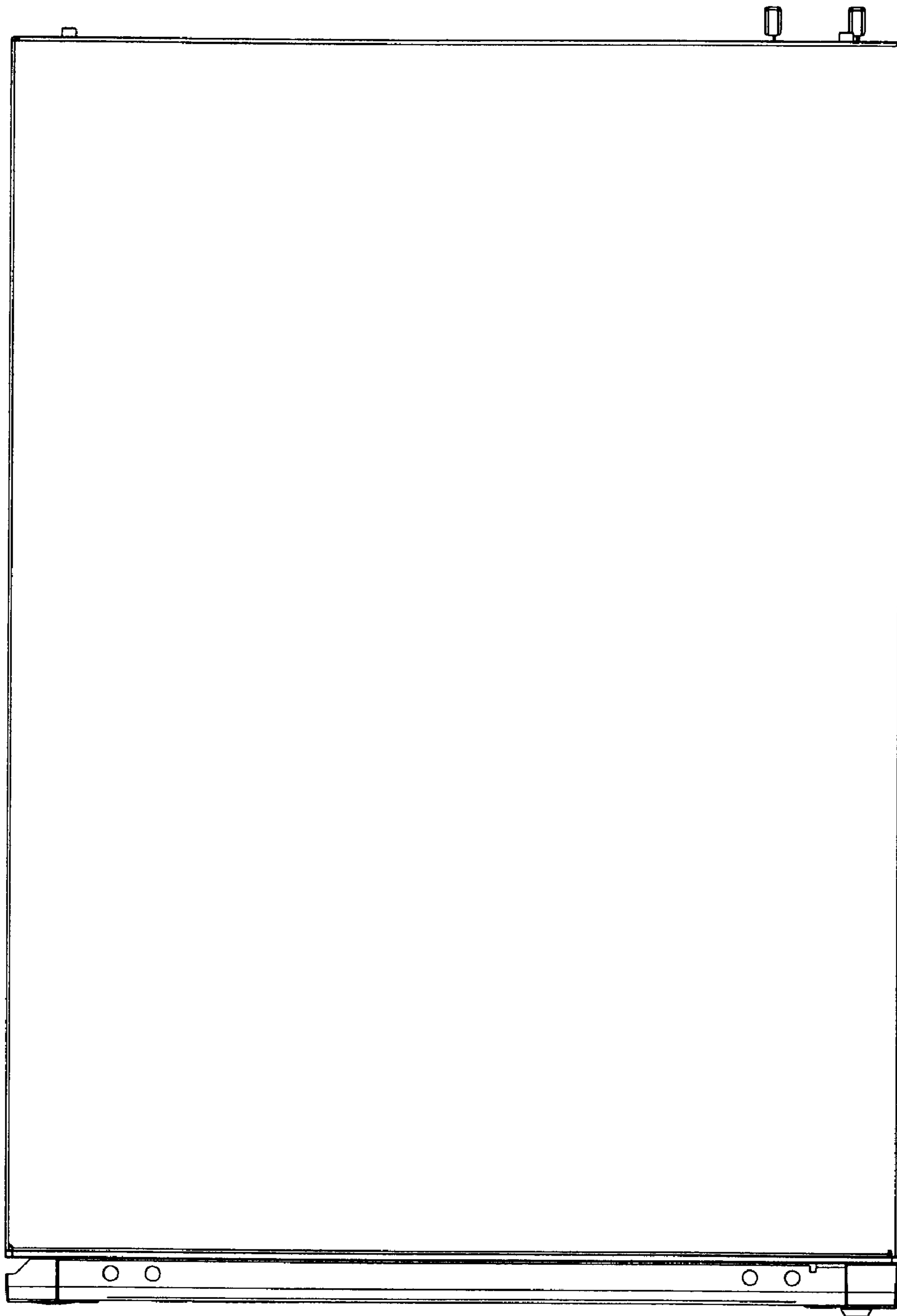


FIG. 5

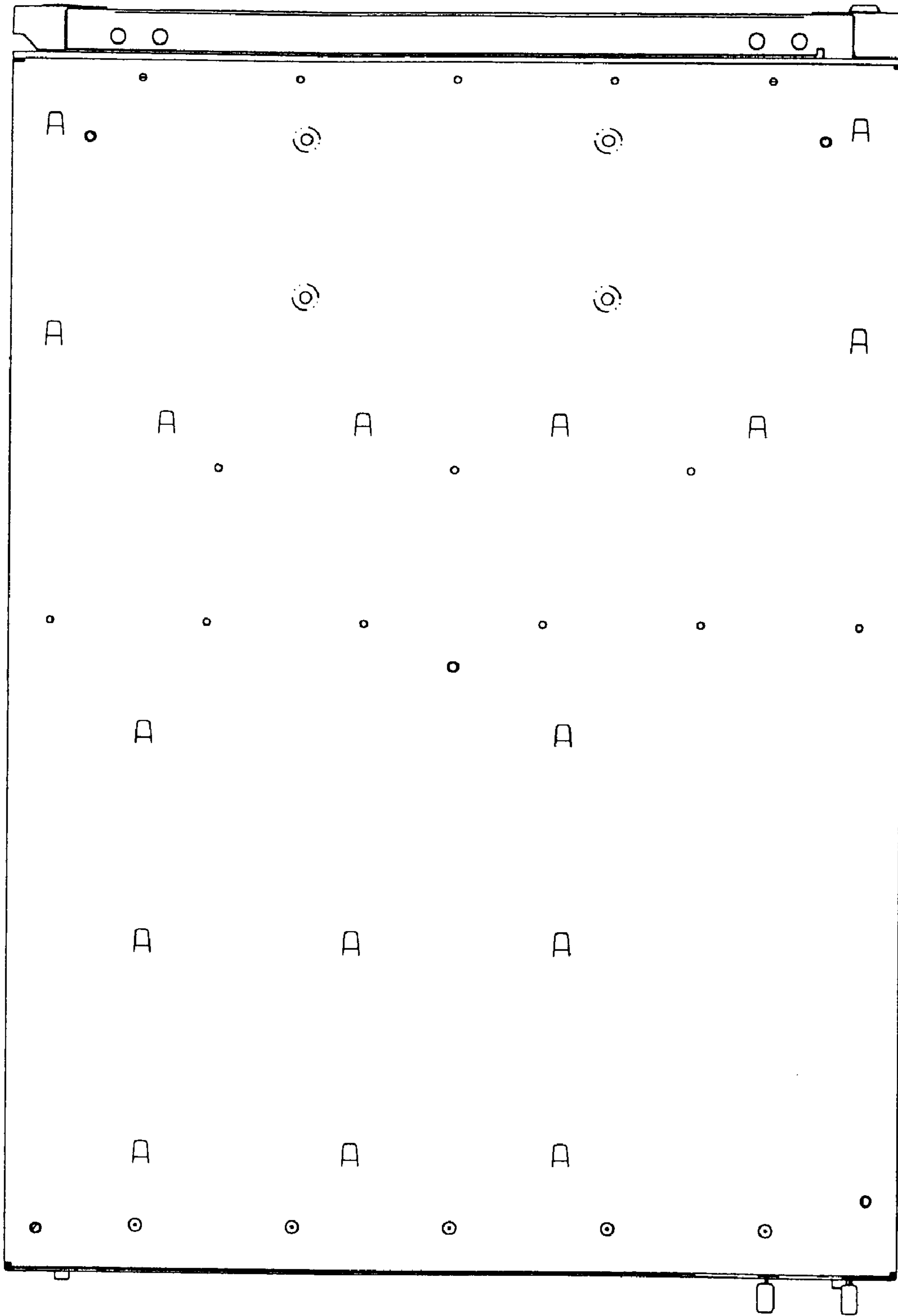


FIG. 6

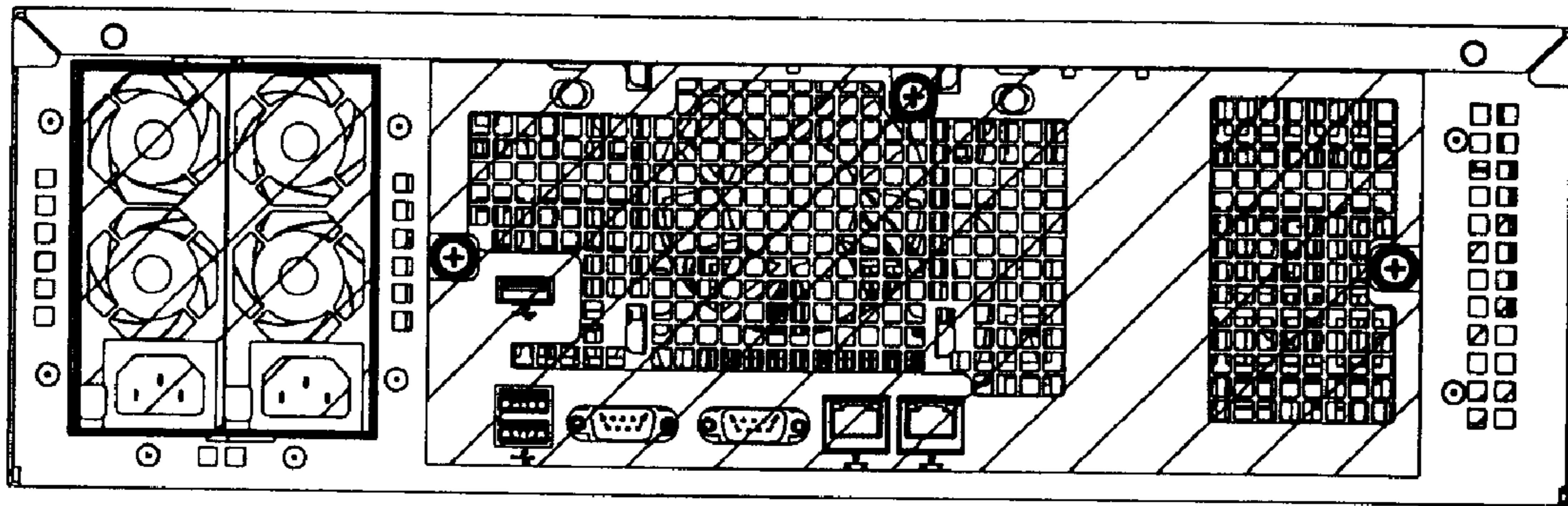


FIG. 7